



US00D578740S

(12) **United States Design Patent**  
**Schüssleder et al.**

(10) **Patent No.:** **US D578,740 S**  
(45) **Date of Patent:** **\*\* Oct. 21, 2008**

(54) **CAP WITH UPWARDLY BENT FRONT VISOR**

(76) Inventors: **Michael Schüssleder**, Barbarastr. 8,  
45739 Oer-Erkenschwick (DE); **Maik Wittkowski**, Kiesenfeldweg 24b, 45739  
Oer-Erkenschwick (DE)

(\*\*) Term: **14 Years**

(21) Appl. No.: **29/277,878**

(22) Filed: **Mar. 13, 2007**

(30) **Foreign Application Priority Data**

Sep. 13, 2006 (EM) ..... 000587571

(51) **LOC (8) Cl.** ..... **02-03**

(52) **U.S. Cl.** ..... **D2/882**

(58) **Field of Classification Search** ..... D2/865,  
D2/866, 871, 872, 873, 875, 876, 879, 882,  
D2/884; 2/171, 171.1, 171.5, 181, 183, 184,  
2/195.1, 195.3, 195.6, 200.1, 209.11, 209.12,  
2/209.5, 209.7

See application file for complete search history.

(56) **References Cited**

**U.S. PATENT DOCUMENTS**

D20,441 S *	1/1891	Brahadi	.....	D2/888
1,915,092 A *	6/1933	Hendrickson	.....	66/171
D129,000 S *	8/1941	Tripp	.....	D2/882
3,348,240 A *	10/1967	Kohn	.....	2/174
4,481,680 A *	11/1984	Mason et al.	.....	2/174
6,625,818 B2 *	9/2003	Putnam	.....	2/181
6,721,961 B2 *	4/2004	Park	.....	2/175.5
6,735,782 B2 *	5/2004	Park	.....	2/175.5
D526,766 S *	8/2006	Ribera	.....	D2/882

D535,459 S *	1/2007	Cordes et al.	.....	D2/876
D535,460 S *	1/2007	Ortley et al.	.....	D2/882
D537,239 S *	2/2007	Puett, III	.....	D2/882
D541,014 S *	4/2007	Cordes et al.	.....	D2/882
2005/0160519 A1 *	7/2005	Cho	.....	2/181

**FOREIGN PATENT DOCUMENTS**

EP 000587571-0002 \* 9/2006

\* cited by examiner

*Primary Examiner*—Elizabeth A. Albert

*Assistant Examiner*—Karen E Eldridge Powers

(74) *Attorney, Agent, or Firm*—Gudrun E. Huckett

(57) **CLAIM**

The ornamental design for a cap with upwardly bent front visor, as shown and described.

**DESCRIPTION**

FIG. 1 is a front view of the cap with upwardly bent front visor;

FIG. 2 is a rear view of the cap with upwardly bent front visor;

FIG. 3 is a side view of the left of the cap with upwardly bent front visor;

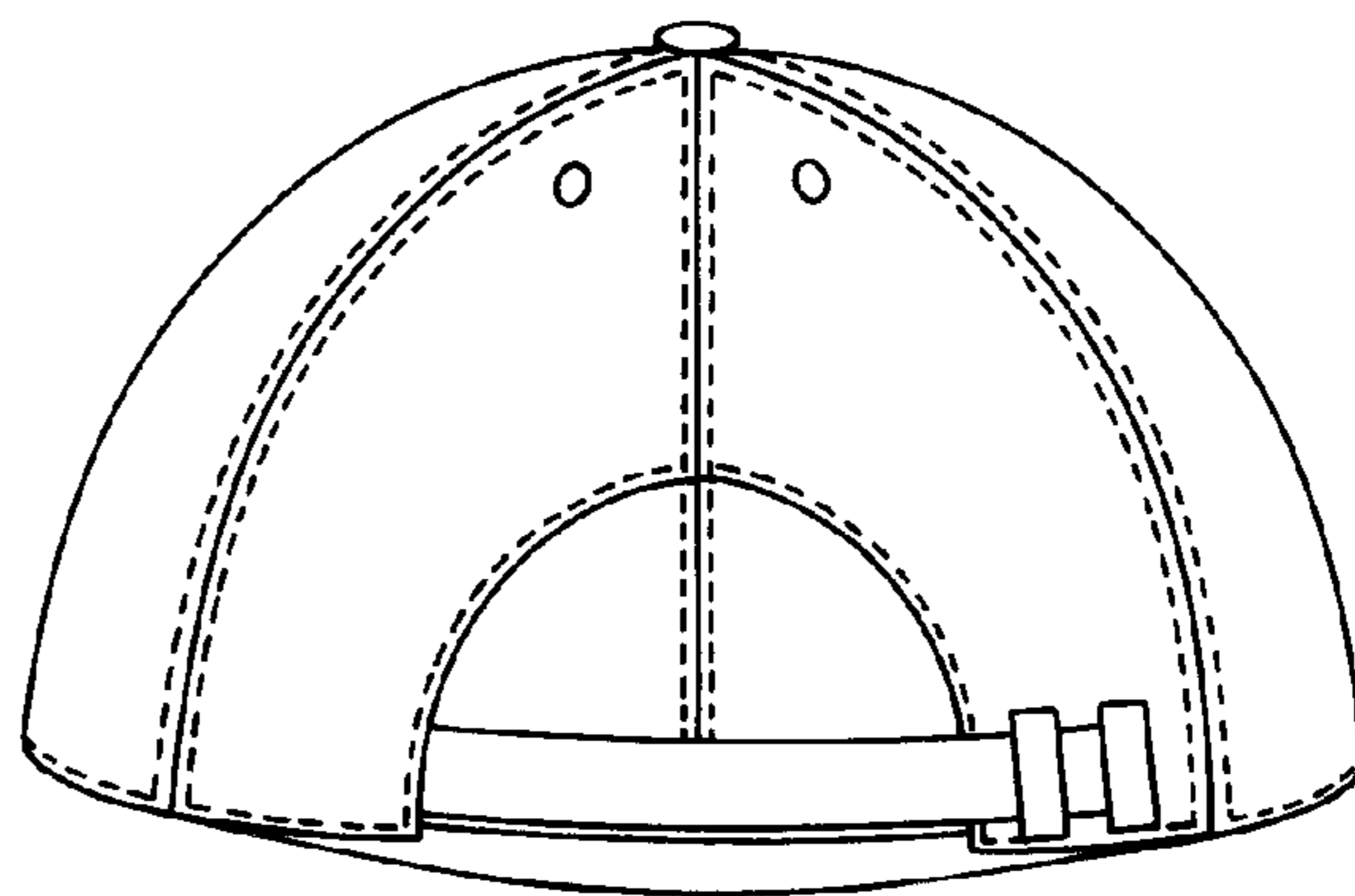
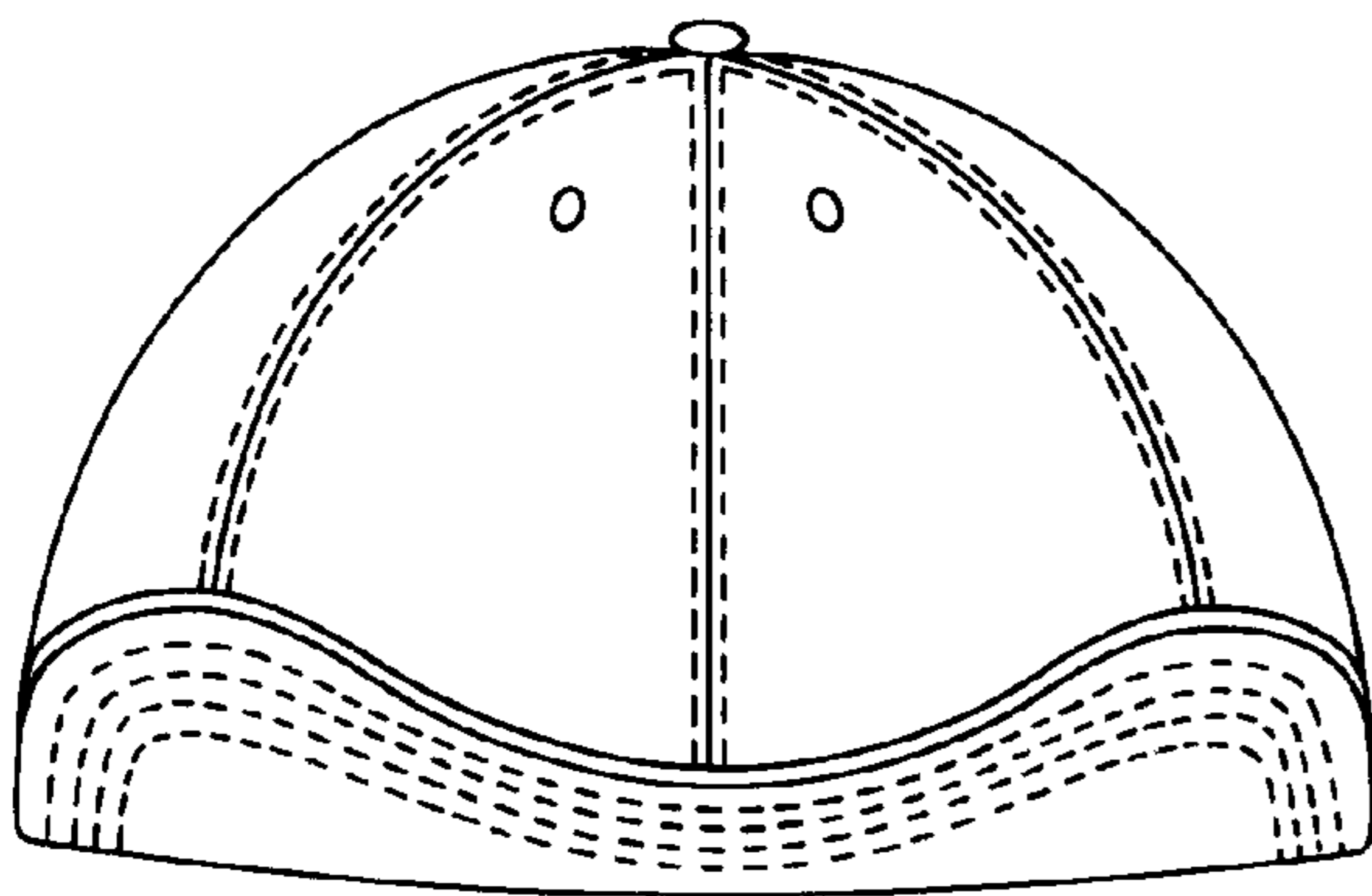
FIG. 4 is a side view of the right side of the cap with upwardly bent front visor;

FIG. 5 is a top view of the cap with upwardly bent front visor; and,

FIG. 6 is a bottom view of the cap with upwardly bent front visor.

The broken lines shown in the drawings illustrate stitching and are part of the claimed design.

**1 Claim, 6 Drawing Sheets**



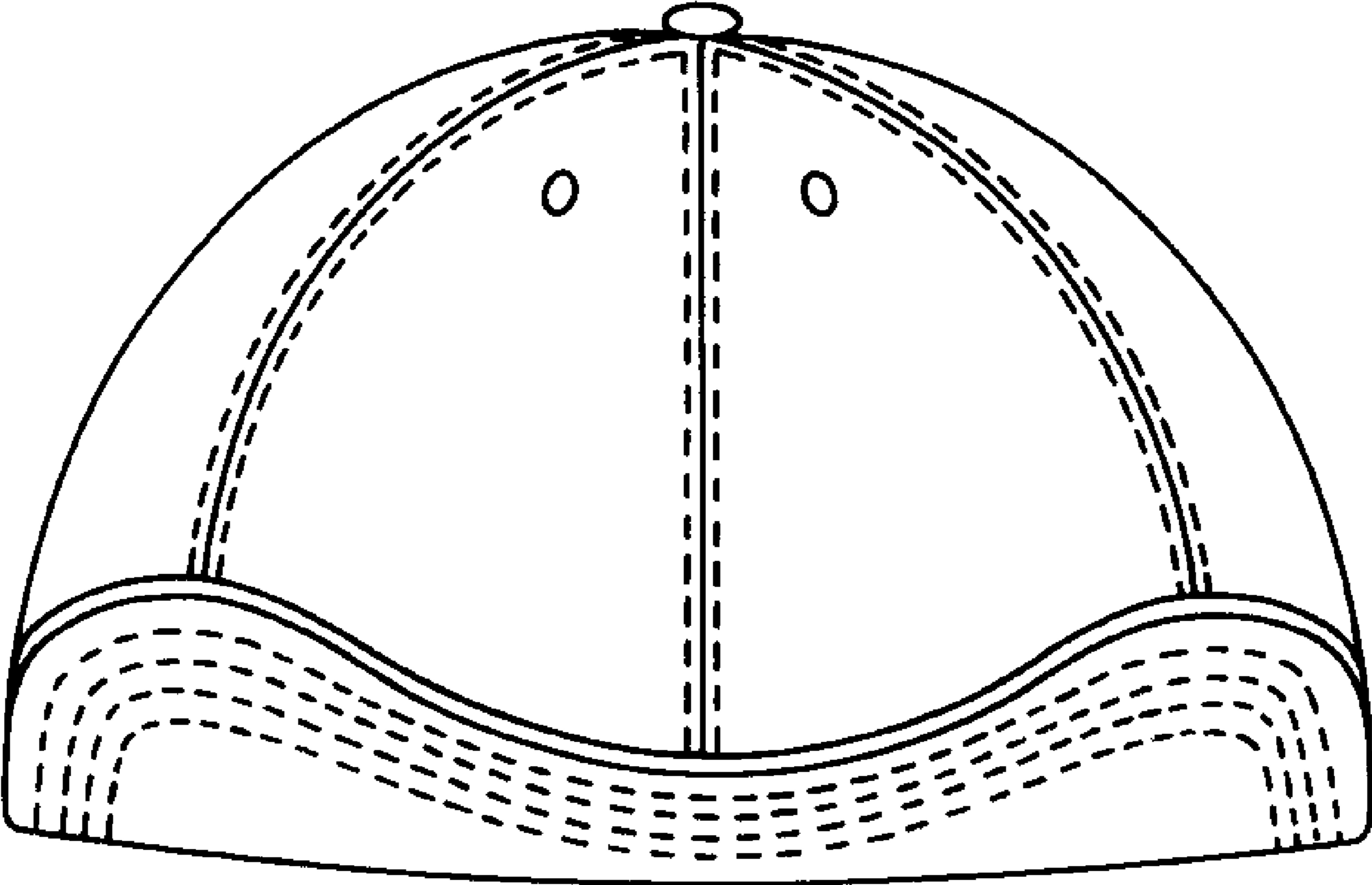


Fig.1

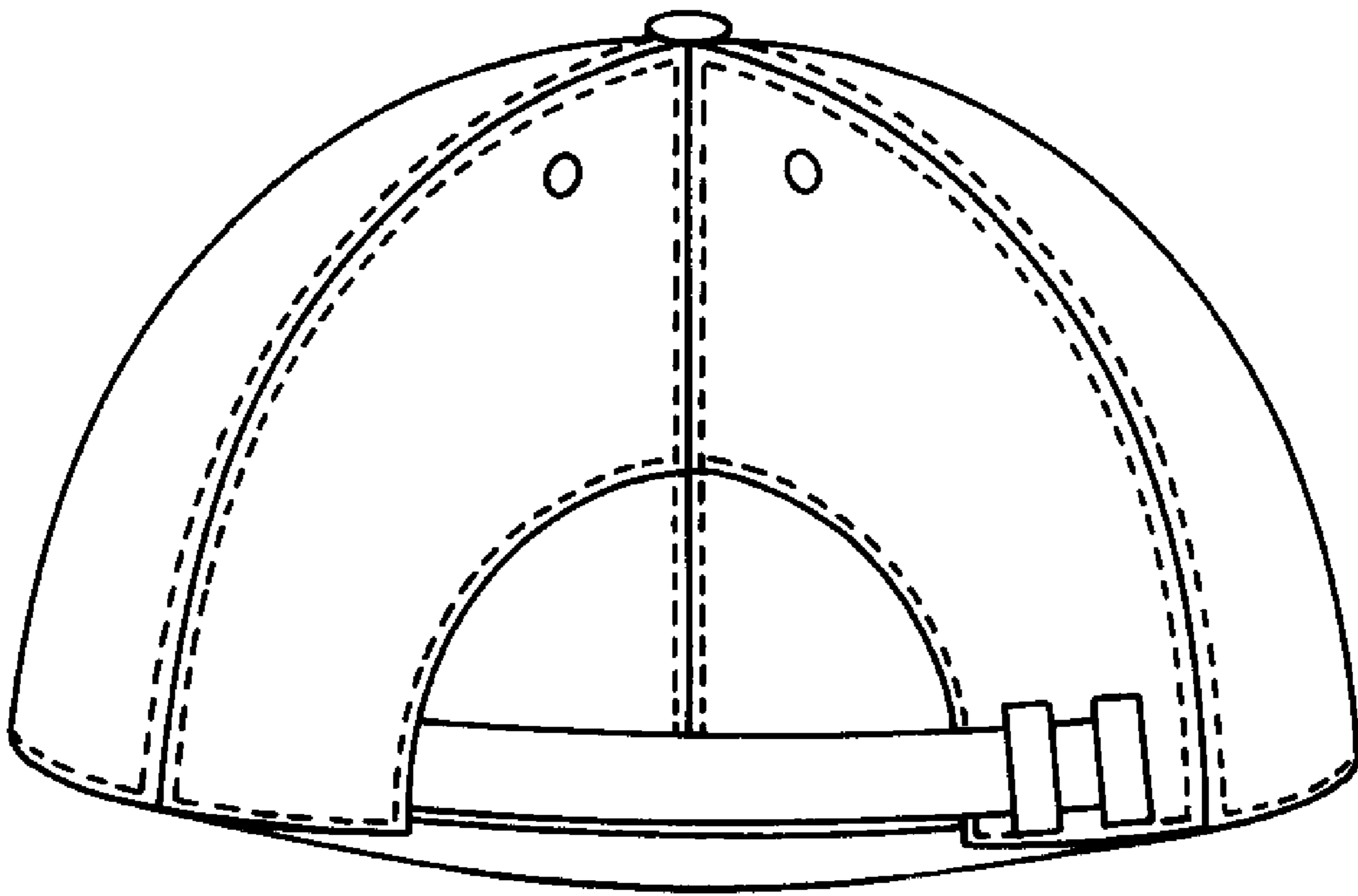


Fig.2

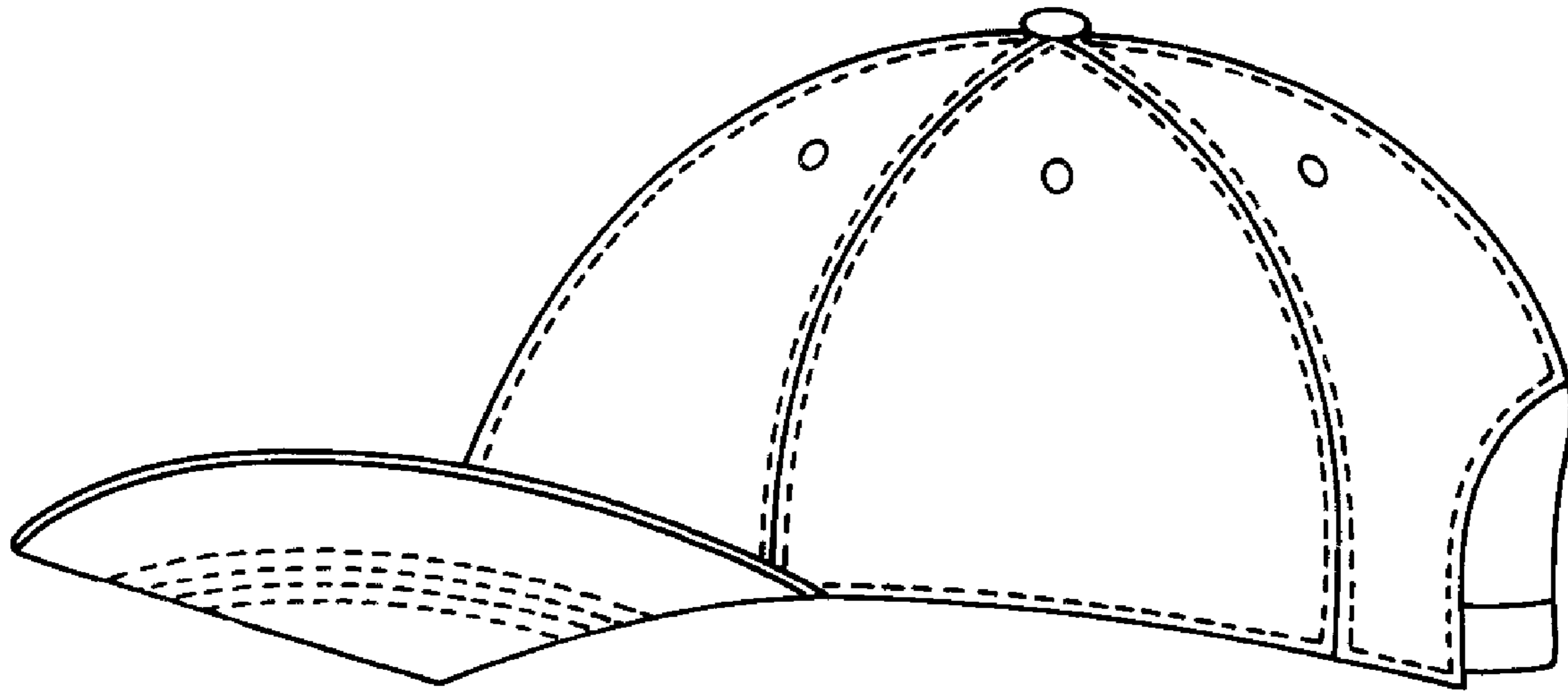


Fig.3

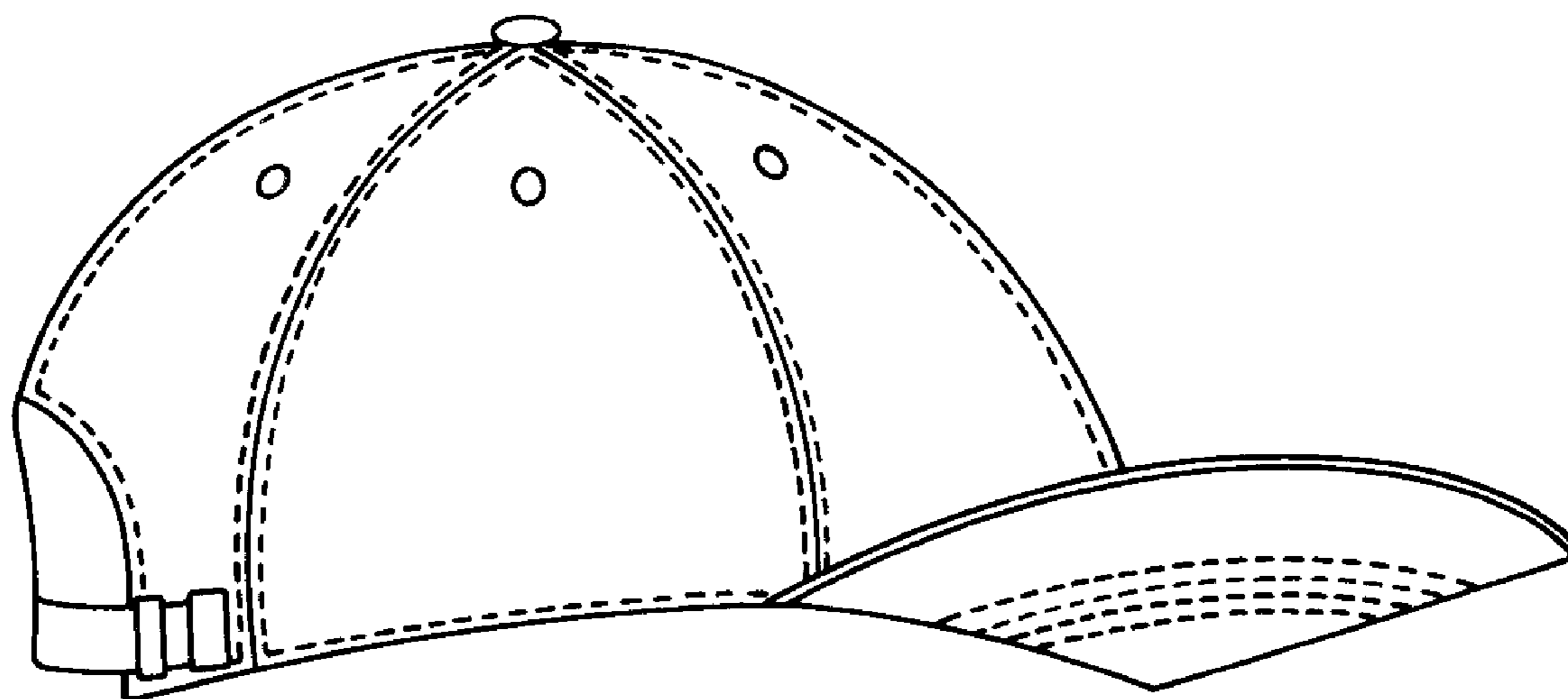


Fig.4

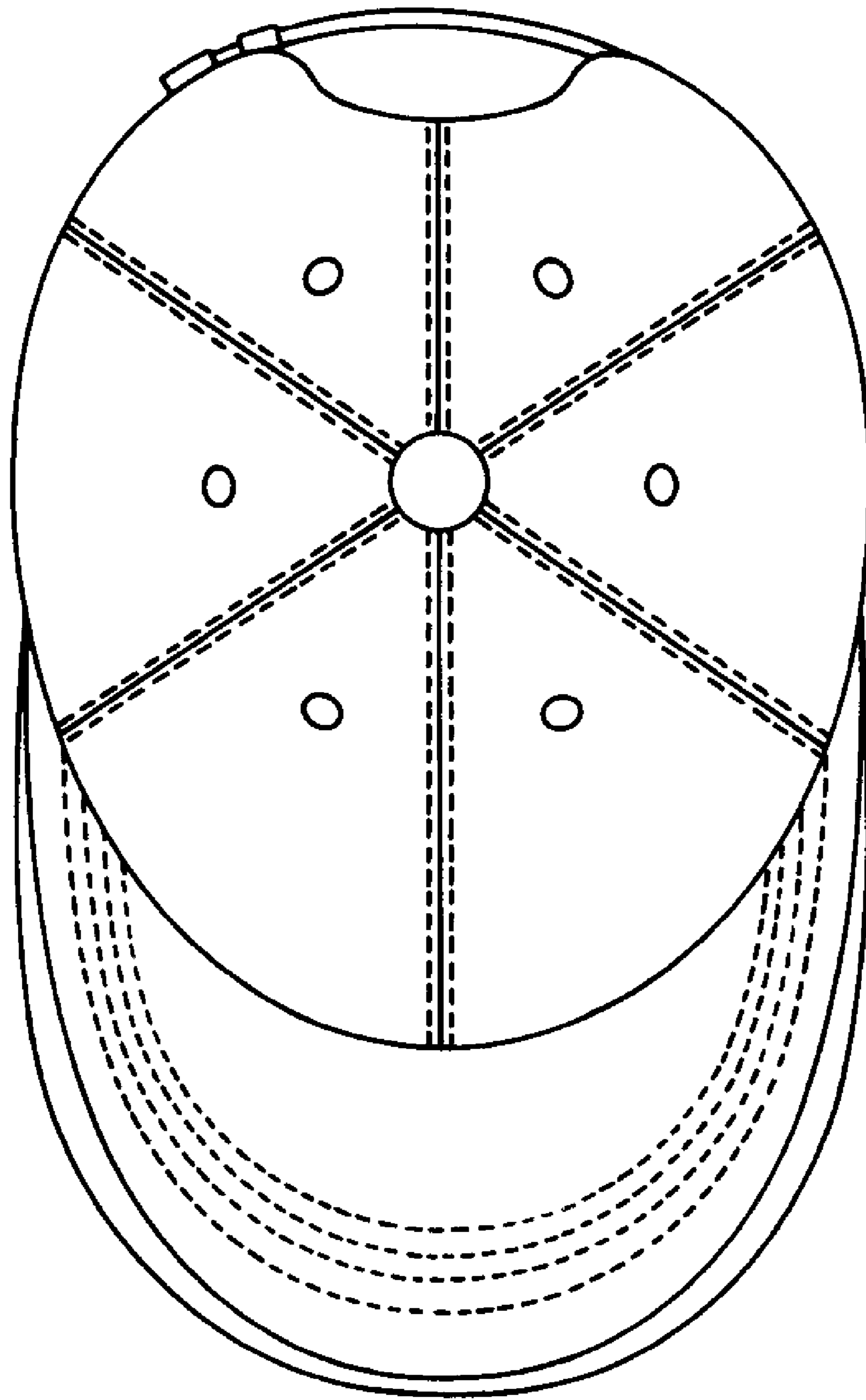


Fig.5

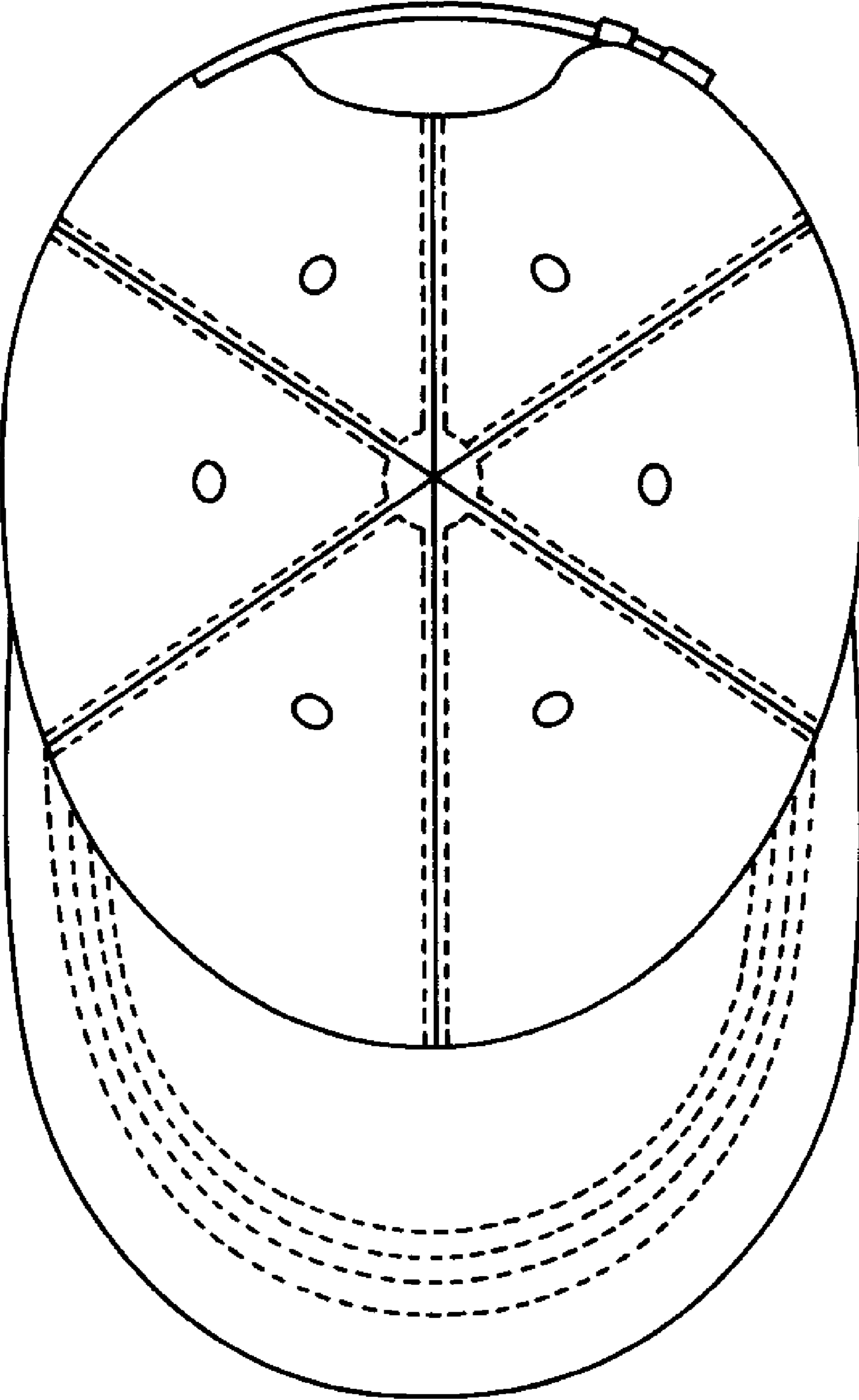


Fig.6