



US00D578728S

(12) **United States Design Patent**
Berman et al.

(10) **Patent No.:** **US D578,728 S**
(45) **Date of Patent:** **** Oct. 21, 2008**

(54) **KIBBLE**

(75) Inventors: **Shelley Minnette Berman**, Thornhill (CA); **Liisa Dee Mooney**, Toronto (CA); **Man Lai**, Oakville (CA); **Rena Marie Crumplen**, Acton (CA)

(73) Assignee: **MARS, Incorporated**, McLean, VA (US)

(**) Term: **14 Years**

(21) Appl. No.: **29/265,846**

(22) Filed: **Sep. 11, 2006**

(30) **Foreign Application Priority Data**

Apr. 5, 2006 (CA) 115262

(51) **LOC (8) Cl.** **01-06**

(52) **U.S. Cl.** **D1/114**

(58) **Field of Classification Search** D1/106-115,
D1/127-8, 199; D30/160; 426/2, 104, 635,
426/805; 119/706-711; D18/29; D11/61,
D11/116

See application file for complete search history.

(56) **References Cited**

U.S. PATENT DOCUMENTS

- 1,036,092 A * 8/1912 Gategast 426/391
- D43,813 S * 4/1913 Becker D1/114
- 1,737,919 A * 12/1929 Crain 426/421
- D137,301 S * 2/1944 Willems D1/103
- D203,807 S * 2/1966 Pellegrino D1/114
- D258,320 S * 2/1981 Schilpp et al. D1/114
- D263,172 S * 2/1982 Payne D1/114

- D313,689 S * 1/1991 Epstein D1/114
- 4,994,288 A * 2/1991 Graham et al. 426/249
- D334,446 S * 3/1993 Mercer D30/160
- D376,465 S * 12/1996 Haro et al. D1/114
- D513,394 S * 1/2006 Lecut D11/116
- 2003/0152668 A1 * 8/2003 Griffin 426/104

FOREIGN PATENT DOCUMENTS

CA	115262	4/2006
EM	00052880-0001/2	7/2006

OTHER PUBLICATIONS

U.S. Appl. No. 29/268,566, filed Nov. 9, 2006, by Jen Banks et al, entitled "Kibble".

* cited by examiner

Primary Examiner—Robin V. Webster

Assistant Examiner—Karen E Kearney

(74) *Attorney, Agent, or Firm*—Arent Fox LLP

(57) **CLAIM**

The ornamental design for a kibble, substantially as shown and described.

DESCRIPTION

FIG. 1 is a perspective view of the kibble, showing our new design;

FIG. 2 is a top plan view thereof;

FIG. 3 is a front elevational view of the kibble;

FIG. 4 is a side elevational view of the left side of the kibble, the right side being a mirror image thereof; and,

FIG. 5 is a rear elevational view thereof.

The bottom of the kibble forms no part of the claimed design.

1 Claim, 2 Drawing Sheets

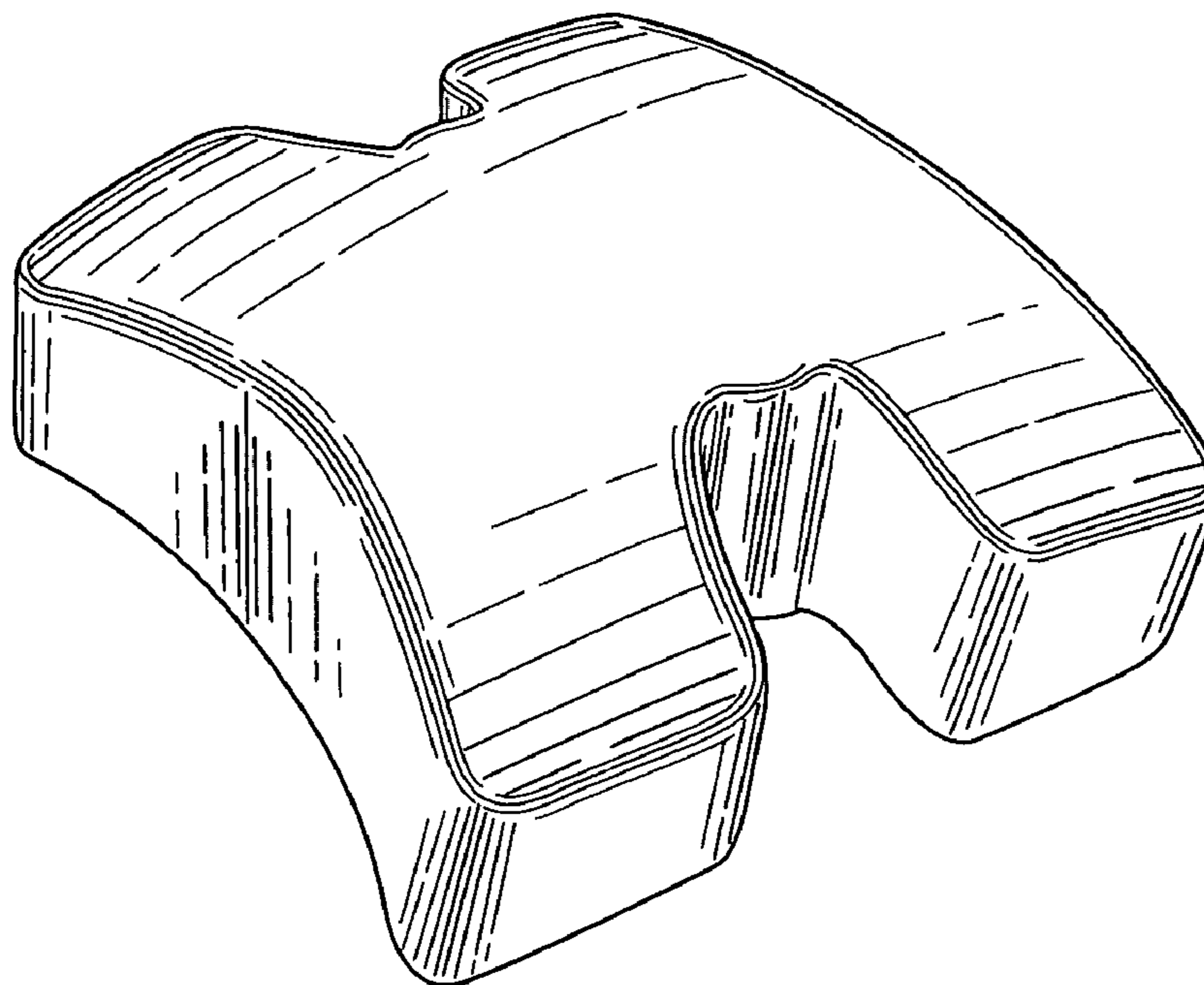


FIG. 1

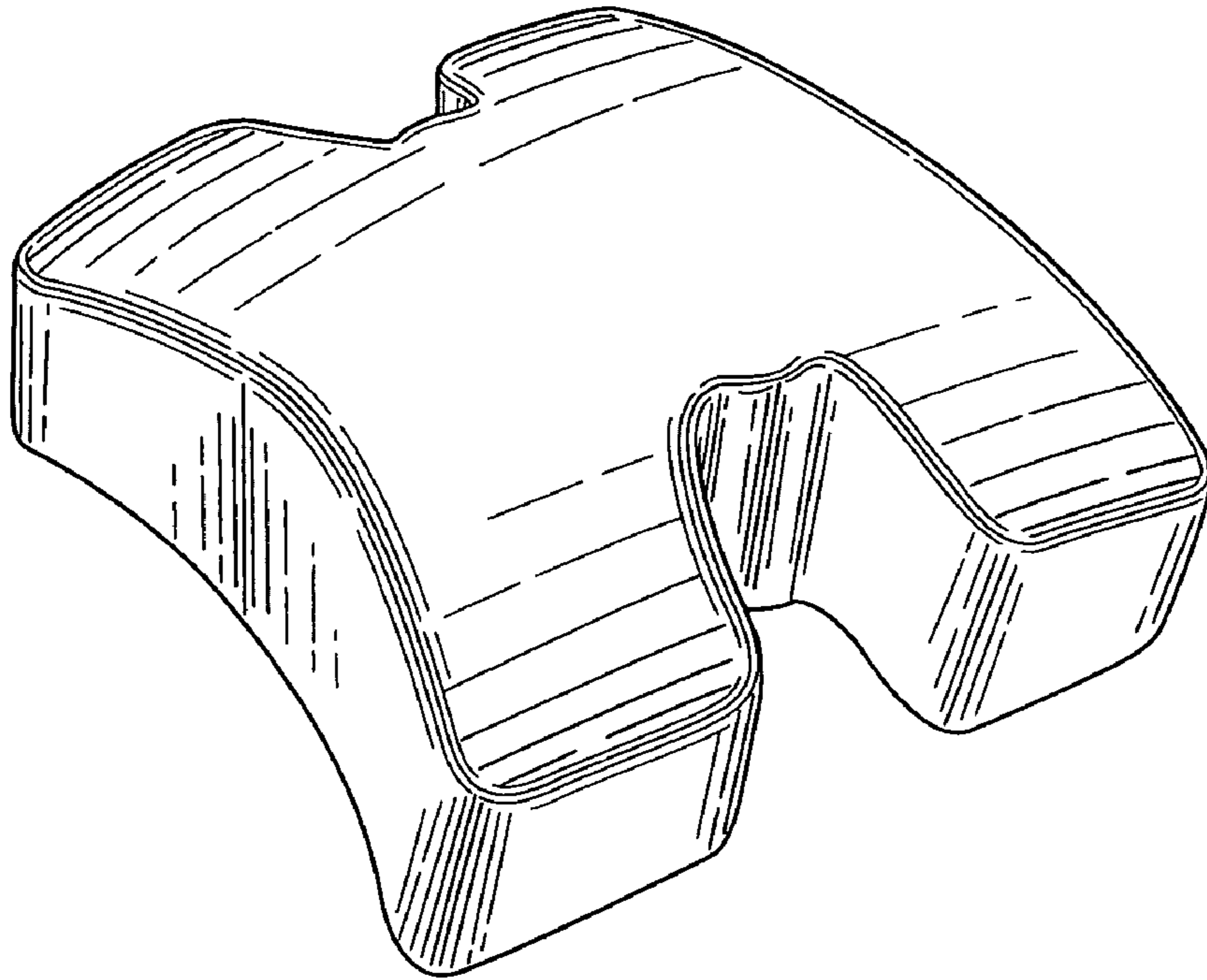


FIG. 2

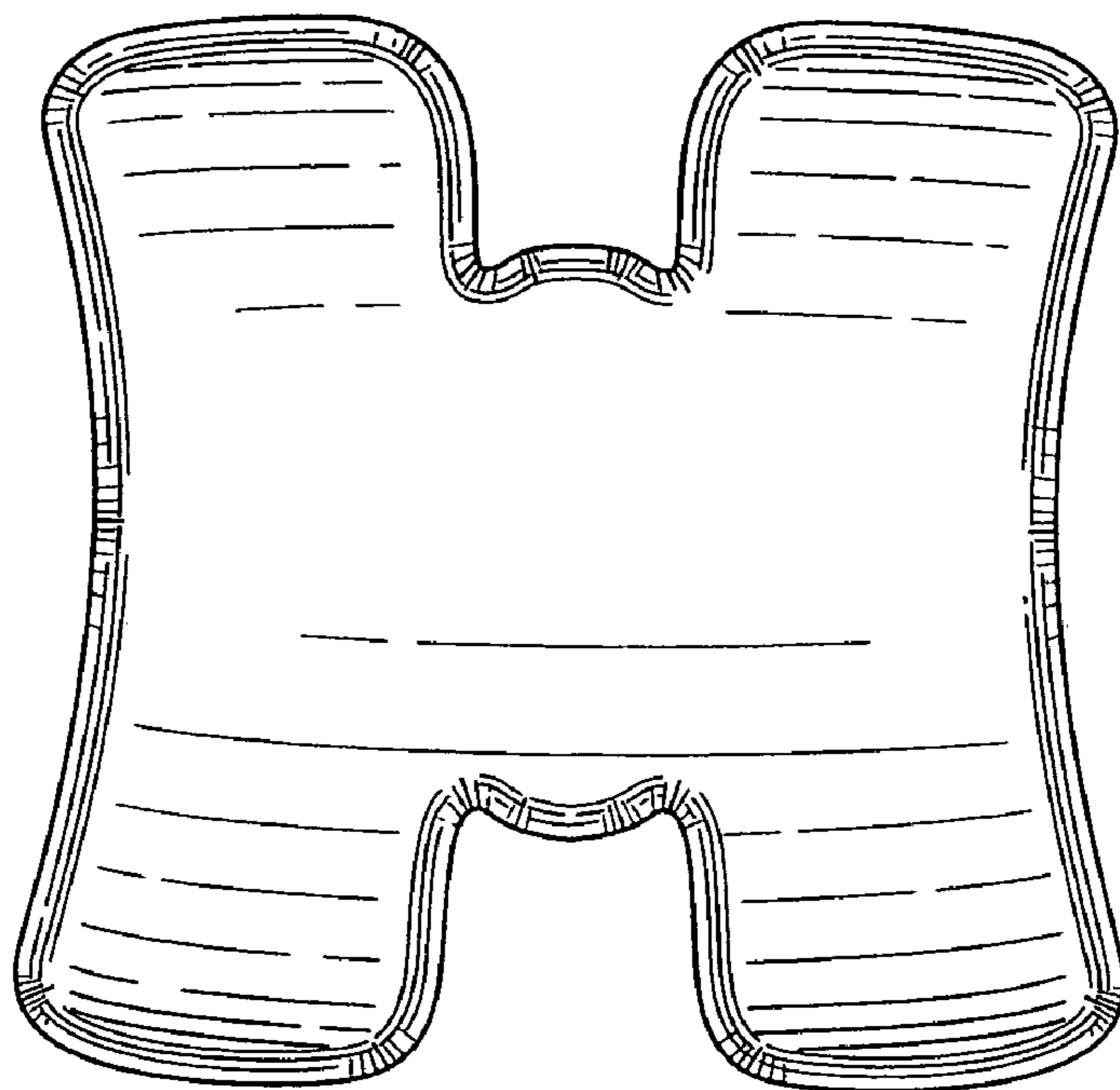


FIG. 3

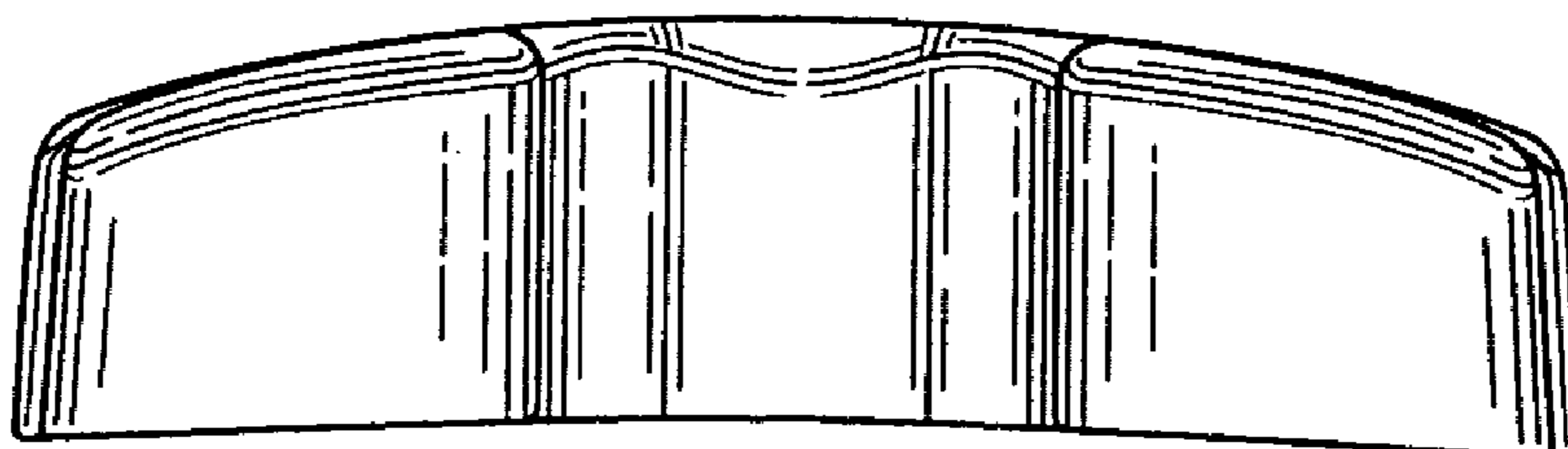


FIG. 4

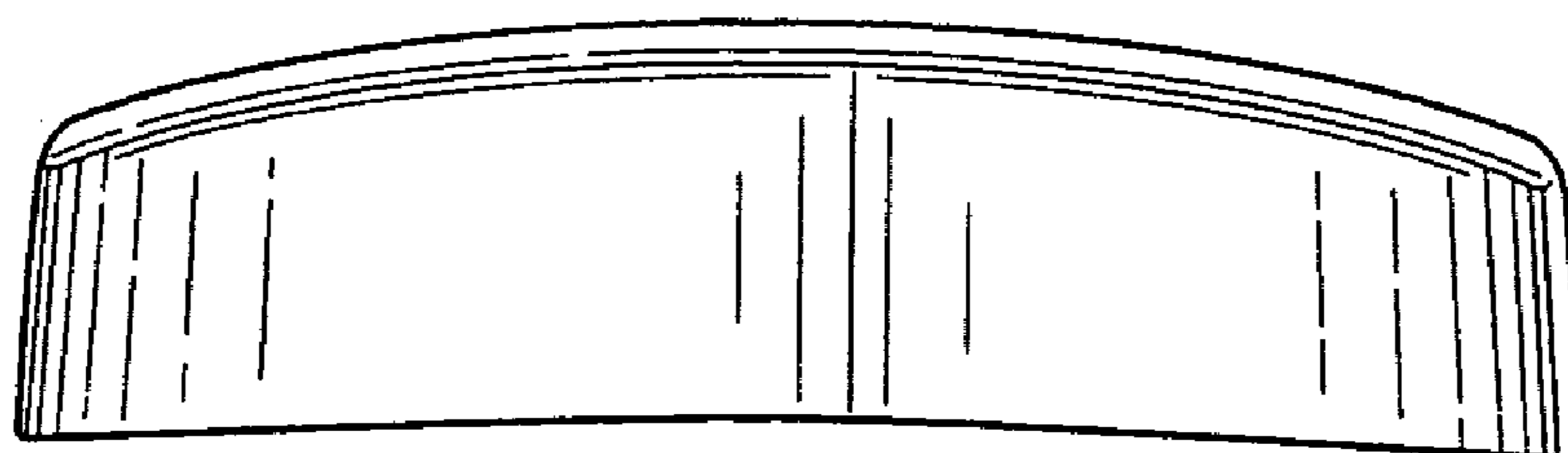


FIG. 5

