



US00D578723S

(12) **United States Design Patent**
Irfan

(10) **Patent No.:** **US D578,723 S**
(45) **Date of Patent:** **** Oct. 14, 2008**

(54) **KITCHEN EQUIPMENT CART**
(75) Inventor: **Nuri Coskun Irfan**, Bursa (TR)
(73) Assignee: **Evinoks Servis Ekipmanlari Sanayi ve Ticaret Anonim Sirketi**, Bursa (TR)

3,834,725 A * 9/1974 Louni 280/79.2
5,290,058 A * 3/1994 Adams et al. 280/651
D424,267 S * 5/2000 Lin D34/24
D487,604 S * 3/2004 Van Landingham, Jr. D34/12
D493,019 S * 7/2004 Lovegrove et al. D34/17

(**) Term: **14 Years**
(21) Appl. No.: **29/277,161**
(22) Filed: **Feb. 16, 2007**

* cited by examiner
Primary Examiner—Cynhtia E Ramirez
(74) *Attorney, Agent, or Firm*—Egbert Law Offices

(51) **LOC (8) Cl.** **12-02**
(52) **U.S. Cl.** **D34/17**
(58) **Field of Classification Search** D34/17,
D34/12-27; 280/47.24, 47.19, 47.35; D6/422,
D6/478, 464
See application file for complete search history.

(57) **CLAIM**
I claim the ornamental design for a kitchen equipment cart, as shown and described.

(56) **References Cited**
U.S. PATENT DOCUMENTS
D51,943 S * 4/1918 Von Carlsberg D34/18
D187,653 S * 4/1960 Warshawsky D34/18

DESCRIPTION
FIG. 1 is an upper perspective view of the kitchen equipment cart showing my design.
FIG. 2 is a top plan view thereof;
FIG. 3 is a front elevation view thereof; and,
FIG. 4 is a side elevation view thereof.

1 Claim, 4 Drawing Sheets





FIG. 1

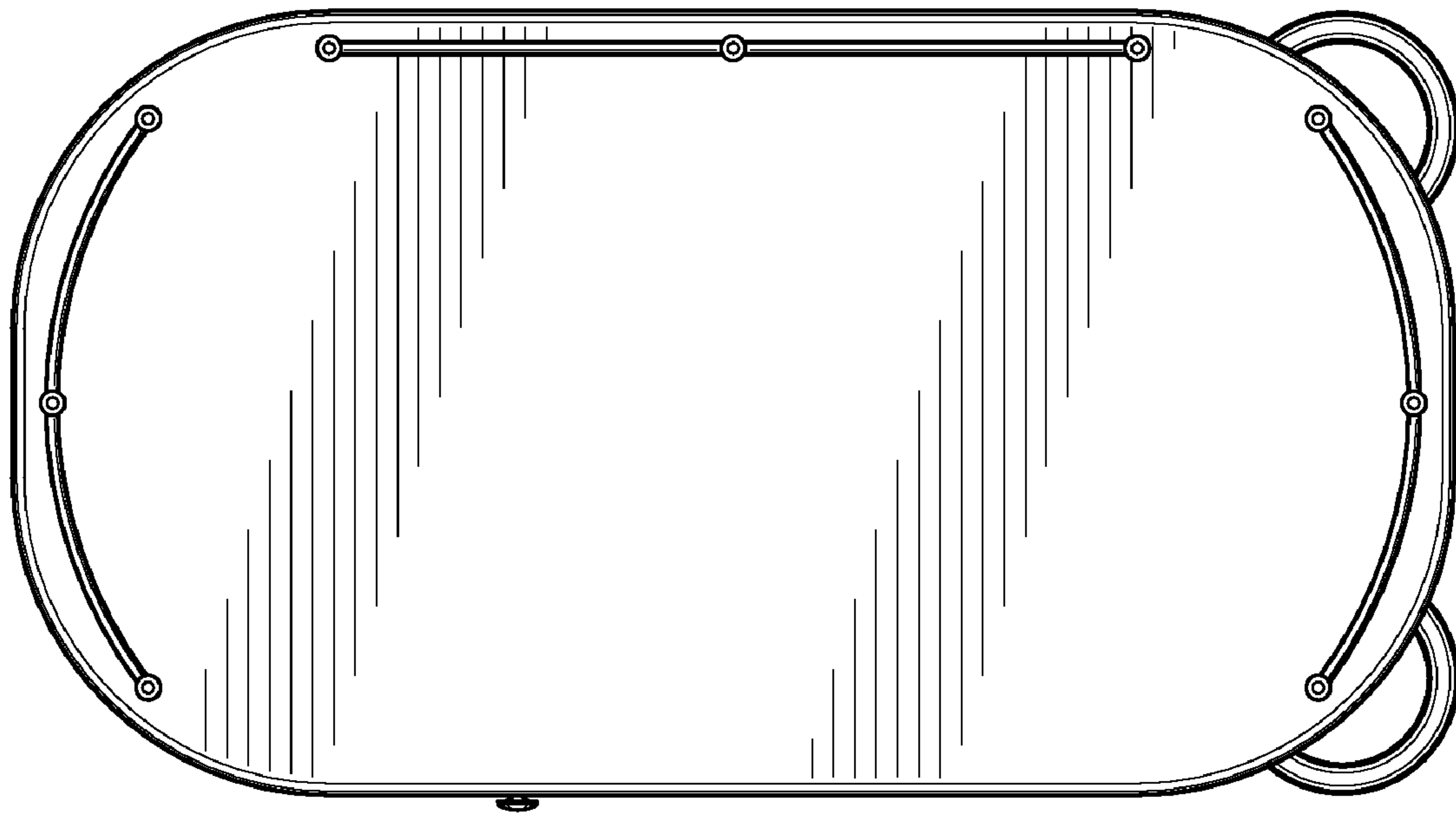


FIG. 2

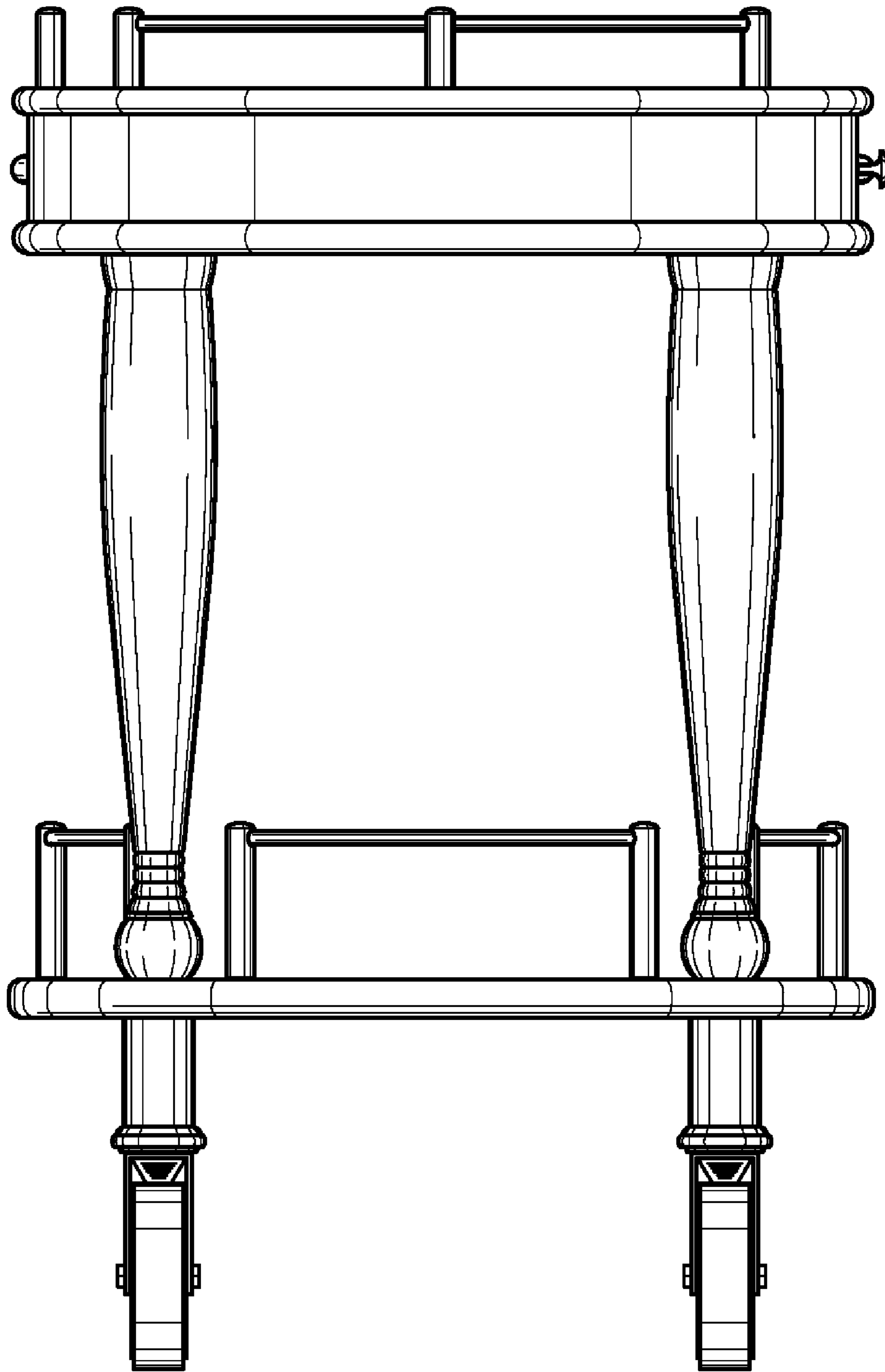


FIG. 3

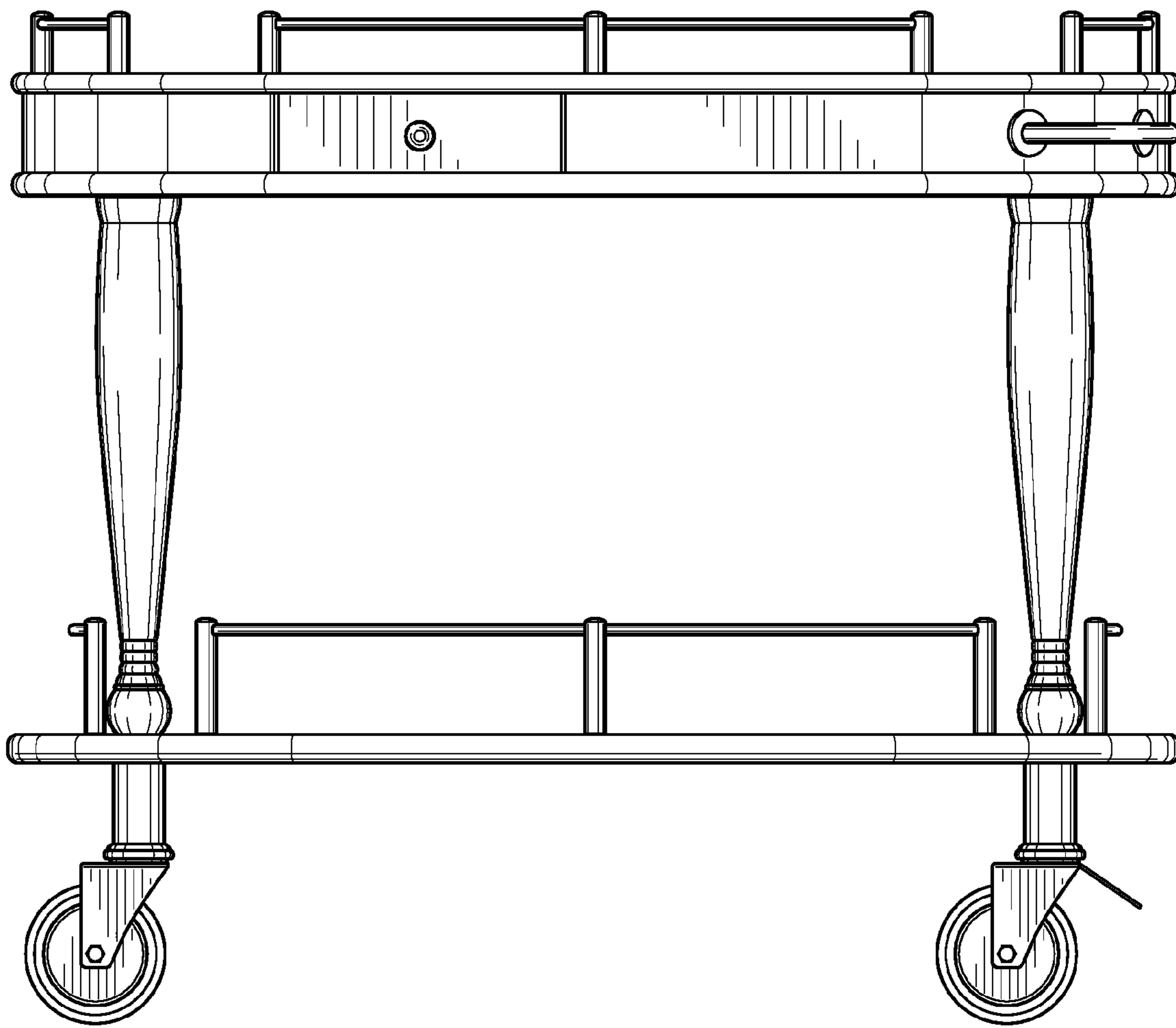


FIG. 4