



US00D578720S

(12) **United States Design Patent**
Norcorn et al.

(10) **Patent No.:** **US D578,720 S**

(45) **Date of Patent:** **** Oct. 14, 2008**

(54) **CLEANING IMPLEMENT**

(75) Inventors: **Alisa Burns Norcorn**, Middletown, OH (US); **Kurt Alfred Karussi**, Cincinnati, OH (US); **Melissa Dee Clark**, Cincinnati, OH (US); **Danutcha Danny Pestonji**, Chatsworth, CA (US); **Philip Edwin Hague**, Chicago, IL (US); **Michael Allen Sauer**, Westchester, IL (US)

(73) Assignee: **The Procter & Gamble Company**, Cincinnati, OH (US)

(**) Term: **14 Years**

(21) Appl. No.: **29/255,270**

(22) Filed: **Mar. 7, 2006**

(51) **LOC (8) Cl.** **04-01**

(52) **U.S. Cl.** **D32/52**

(58) **Field of Classification Search** D32/35, D32/40, 50-52; D8/40; 15/143.1, 208-9.1, 15/106, 146-7.1, 231, 210.1, 244.1, 244.3, 15/229.13, 233; 16/110.1

See application file for complete search history.

(56) **References Cited**

U.S. PATENT DOCUMENTS

804,794	A *	11/1905	Coan	15/231
D45,721	S *	5/1914	Lee	D32/52
1,118,546	A *	11/1914	Goodwin	15/231
1,186,960	A	6/1916	Wells	
2,091,807	A *	8/1937	Crum	132/75.6
D109,944	S *	5/1938	Daust	15/210.1
D112,796	S *	1/1939	Smith	D32/52
D191,711	S *	11/1961	Emmerson	D32/52
3,099,855	A	8/1963	Nash	
3,704,480	A	12/1972	Whitaker	
D228,339	S *	9/1973	Zemke	D32/52
D245,390	S *	8/1977	Hoyt	D32/52
D295,911	S *	5/1988	Zogg	D32/40
D394,958	S *	6/1998	Polzin et al.	D4/137
D398,427	S *	9/1998	Berti	D32/52

D418,682	S *	1/2000	Crane	D4/129
D437,095	S *	1/2001	Osiecki et al.	D32/40
6,305,046	B1	10/2001	Kingry et al.	
6,484,346	B2	11/2002	Kingry et al.	
D469,613	S *	2/2003	Libman et al.	D4/129
D481,184	S *	10/2003	Clare et al.	D32/50
6,651,290	B2	11/2003	Kingry et al.	
D484,288	S *	12/2003	Hollinger	D32/35
D487,173	S *	2/2004	Clare et al.	D8/40
D541,500	S *	4/2007	Leung	D32/35
D547,954	S *	8/2007	Thurin et al.	D32/52
D568,017	S *	4/2008	Choi	D32/35
7,363,685	B2 *	4/2008	Walker et al.	16/430
7,370,384	B2 *	5/2008	Miller et al.	15/236.08
2005/0060827	A1 *	3/2005	James et al.	15/144.2
2006/0052269	A1	3/2006	Panandiker et al.	
2006/0277706	A1 *	12/2006	Clark et al.	15/231
2008/0098546	A1 *	5/2008	Warmka et al.	15/104.94

FOREIGN PATENT DOCUMENTS

EP 1447041 A1 8/2004

OTHER PUBLICATIONS

U.S. Appl. No. 11/401,810, filed Apr. 11, 2006, Clark et al.
U.S. Appl. No. 11/443,836, filed May 31, 2006, Panandiker et al.
U.S. Appl. No. 11/513,718, filed Aug. 31, 2006, Michels et al.

* cited by examiner

Primary Examiner—Robin V. Webster
Assistant Examiner—Karen E Kearney
(74) *Attorney, Agent, or Firm*—Julia A. Glazer; Kim William Zerby; Steven W. Miller

(57) **CLAIM**

The ornamental design for a cleaning implement, as shown and described.

DESCRIPTION

FIG. 1 is a perspective view of a cleaning implement showing our new design.

FIG. 2 is a right side view of the cleaning implement of FIG. 1.

FIG. 3 is a top view of the cleaning implement of FIG. 1.

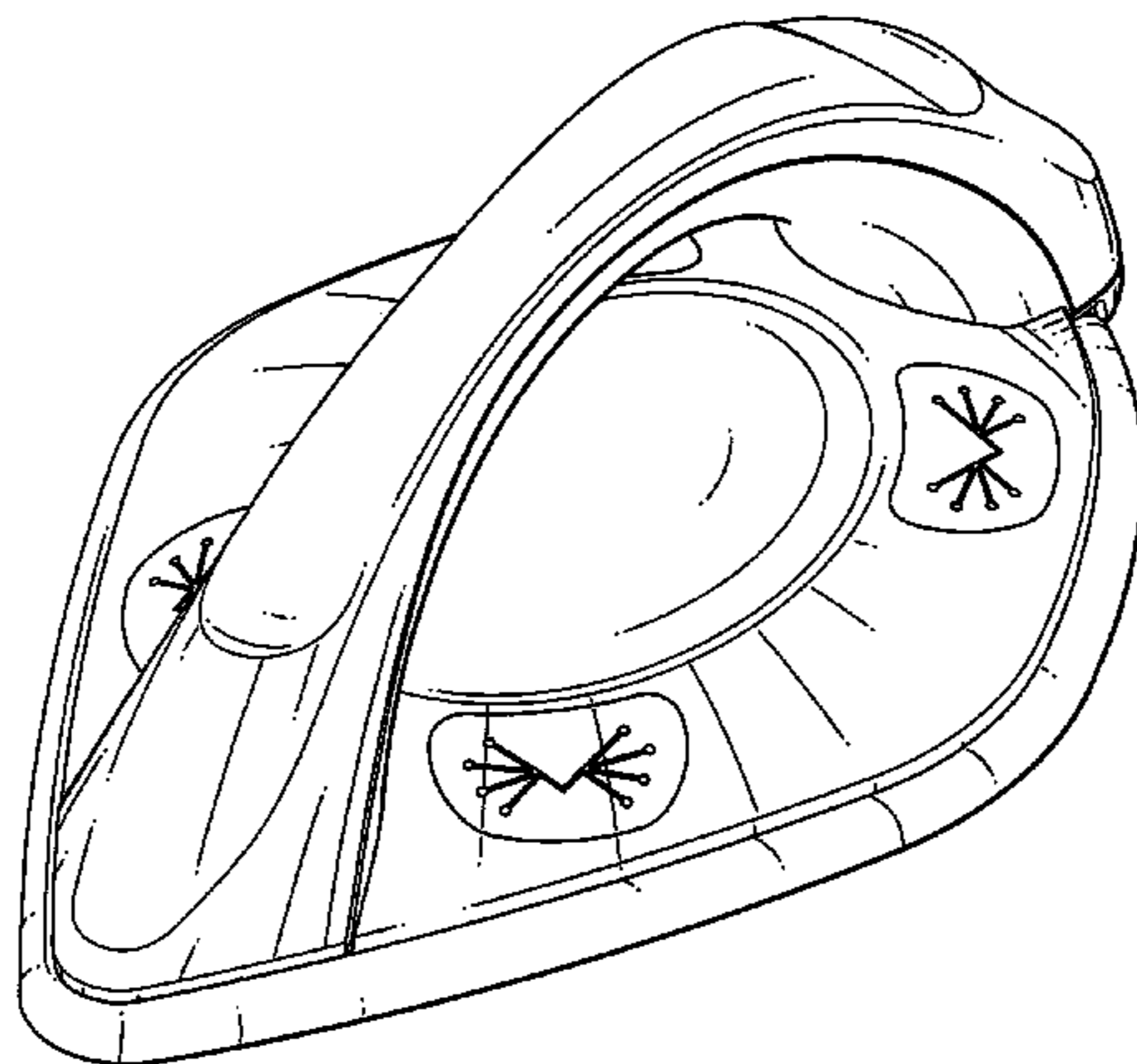


FIG. 4 is a left side view of the cleaning implement of FIG. 1.

FIG. 5 is a bottom view of the cleaning implement of FIG. 1.

FIG. 6 is a front view of the cleaning implement of FIG. 1.

FIG. 7 is a rear view of the cleaning implement of FIG. 1.

FIG. 8 is a perspective view of a cleaning implement.

FIG. 9 is a right side view of the cleaning implement of FIG. 8.

FIG. 10 is a top view of the cleaning implement of FIG. 8.

FIG. 11 is a left side view of the cleaning implement of FIG. 8.

FIG. 12 is a bottom view of the cleaning implement of FIG. 8.

FIG. 13 is a front view of the cleaning implement of FIG. 8.

FIG. 14 is a rear view of the cleaning implement of FIG. 8.

FIG. 15 is a perspective view of a portion of a cleaning implement.

FIG. 16 is a right side view of the cleaning implement of FIG. 15.

FIG. 17 is a top view of the cleaning implement of FIG. 15.

FIG. 18 is a left side view of the cleaning implement of FIG. 15.

FIG. 19 is a bottom view of the cleaning implement of FIG. 15.

FIG. 20 is a front view of the cleaning implement of FIG. 15; and,

FIG. 21 is a rear view of the cleaning implement of FIG. 15.

The broken lines showing of the indicia in FIGS. 15–18 and 20–21 are for the purpose of illustrating unclaimed portions and form no part of the claimed design.

1 Claim, 12 Drawing Sheets

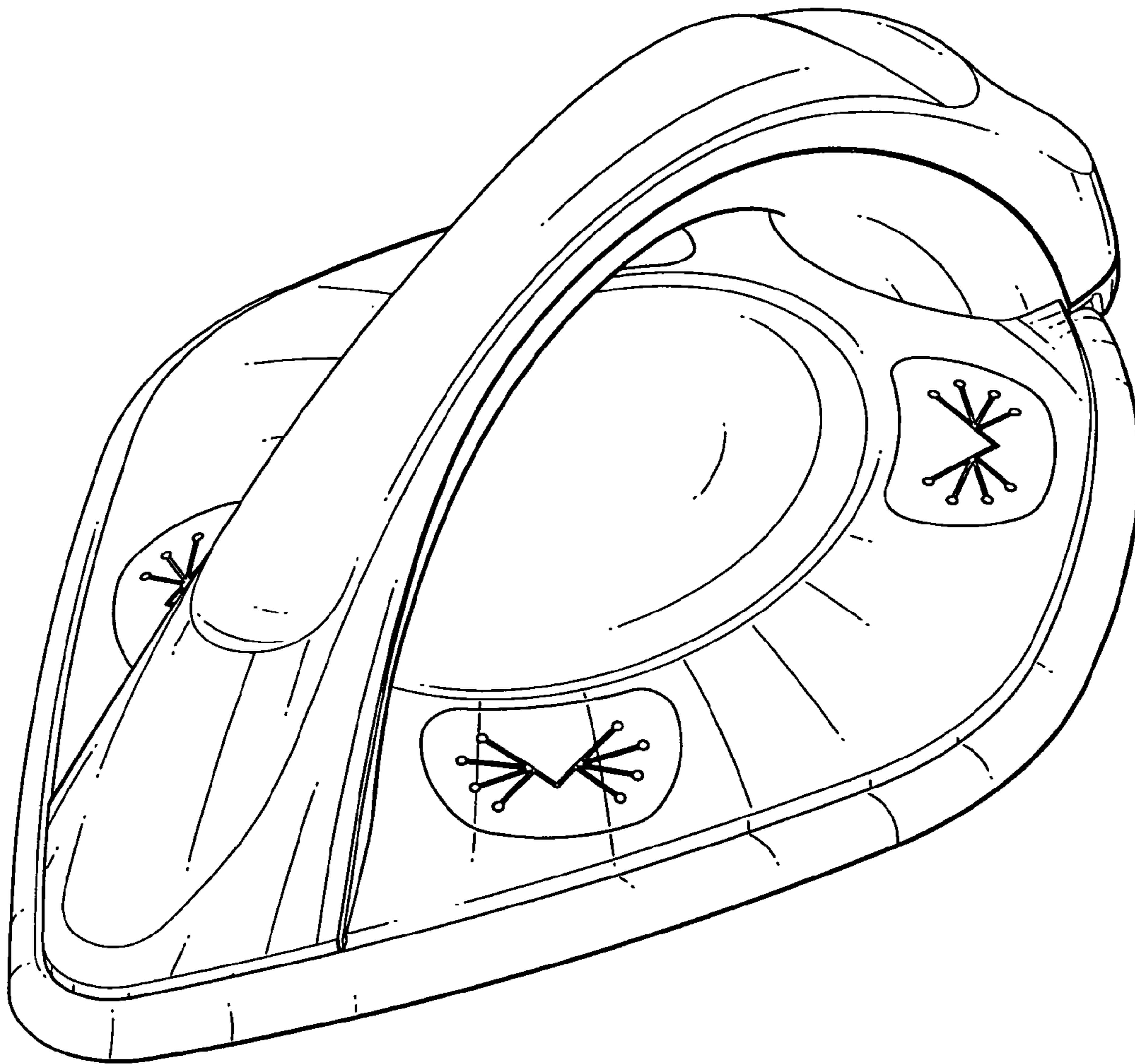


FIG. 1

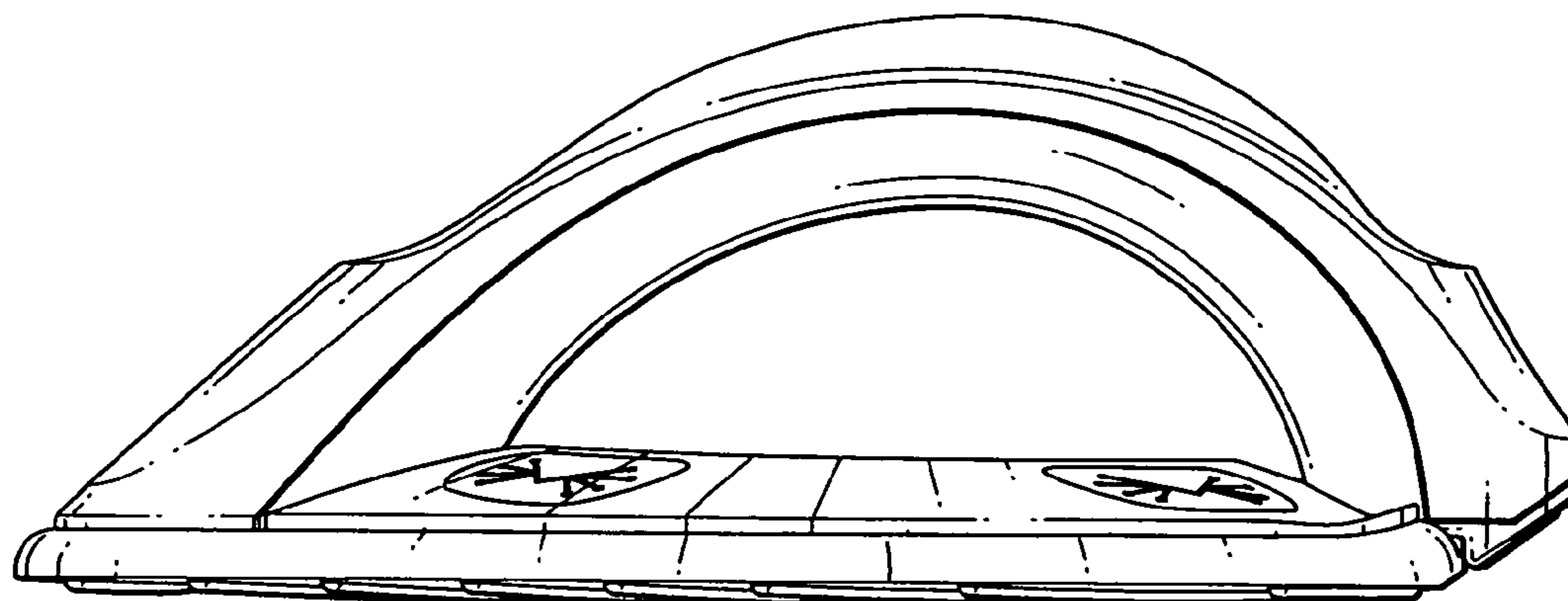


FIG. 2

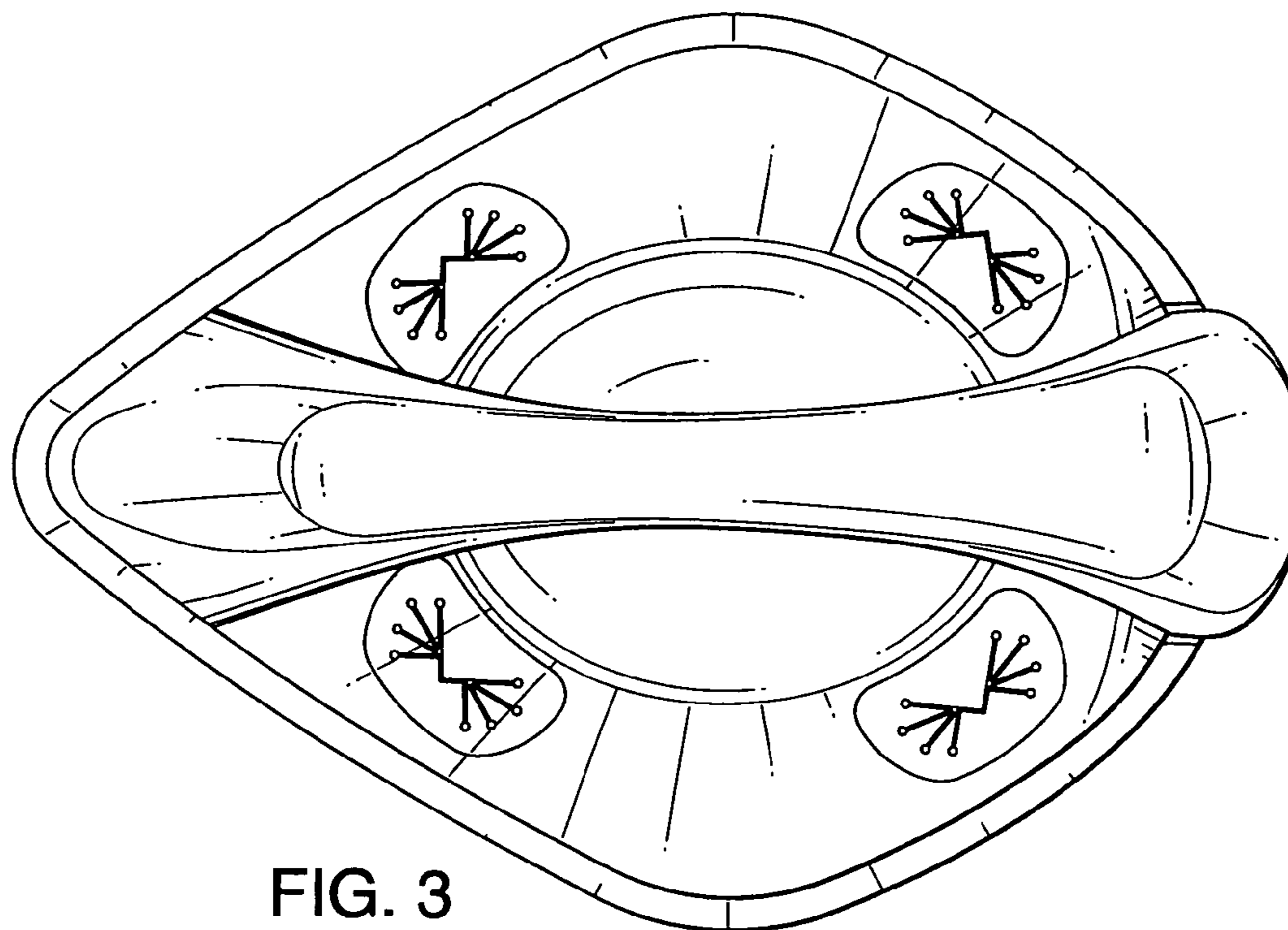


FIG. 3

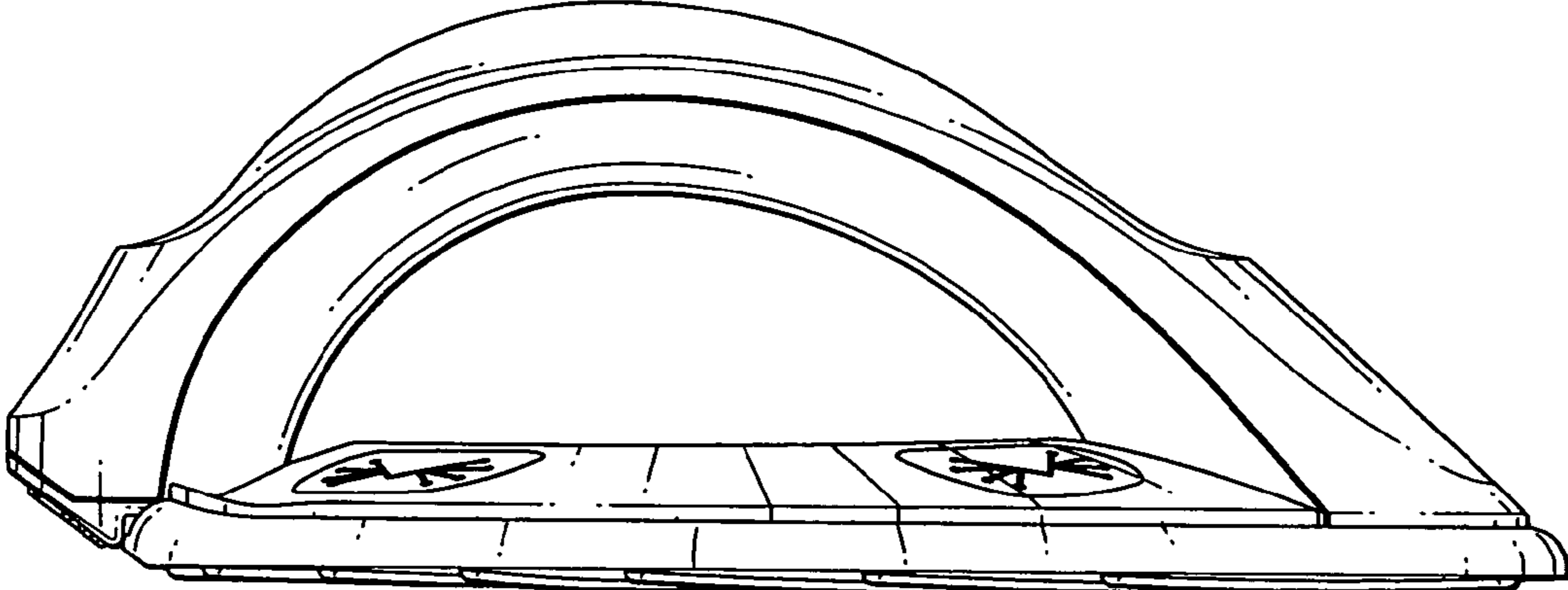


FIG. 4

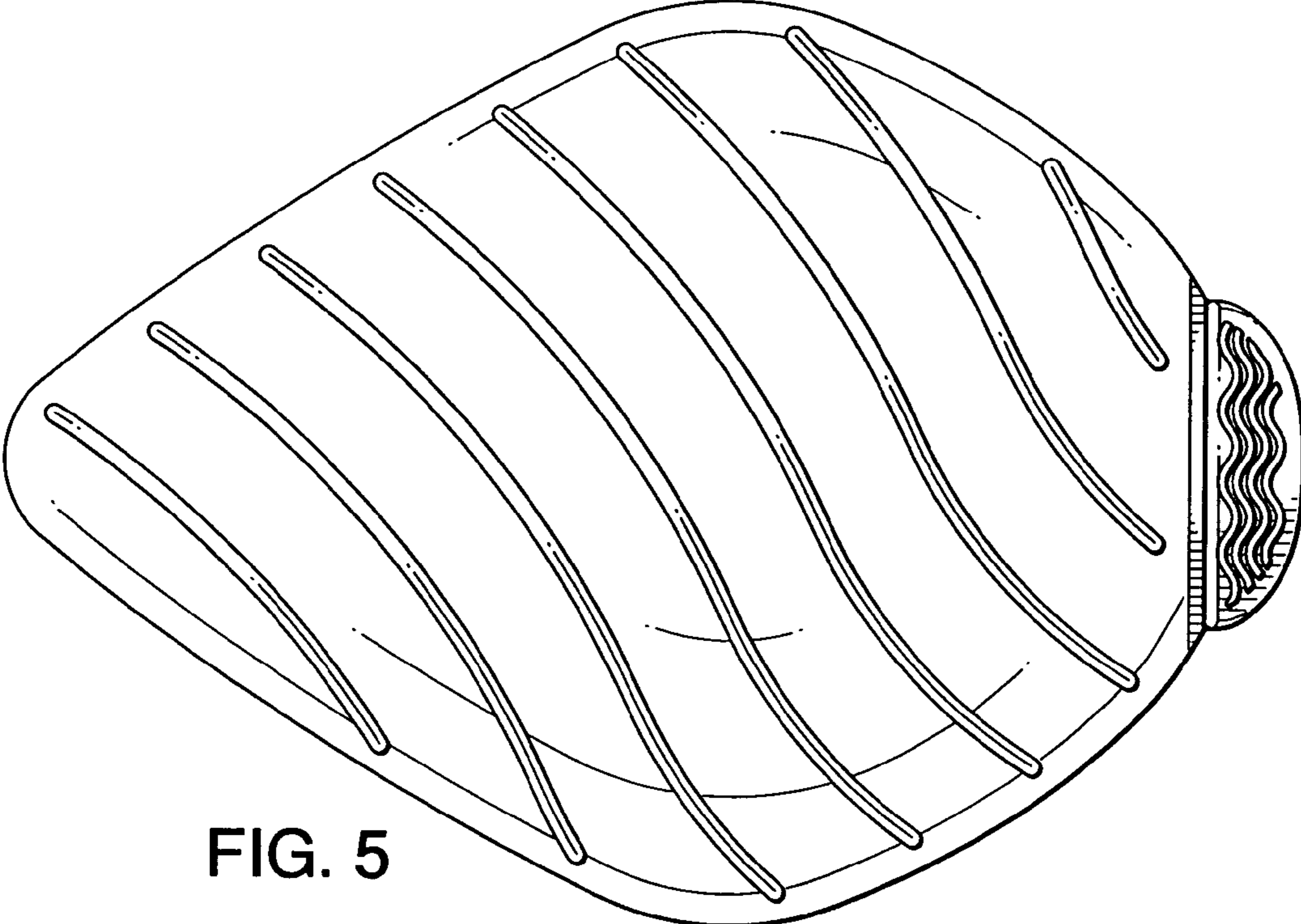


FIG. 5

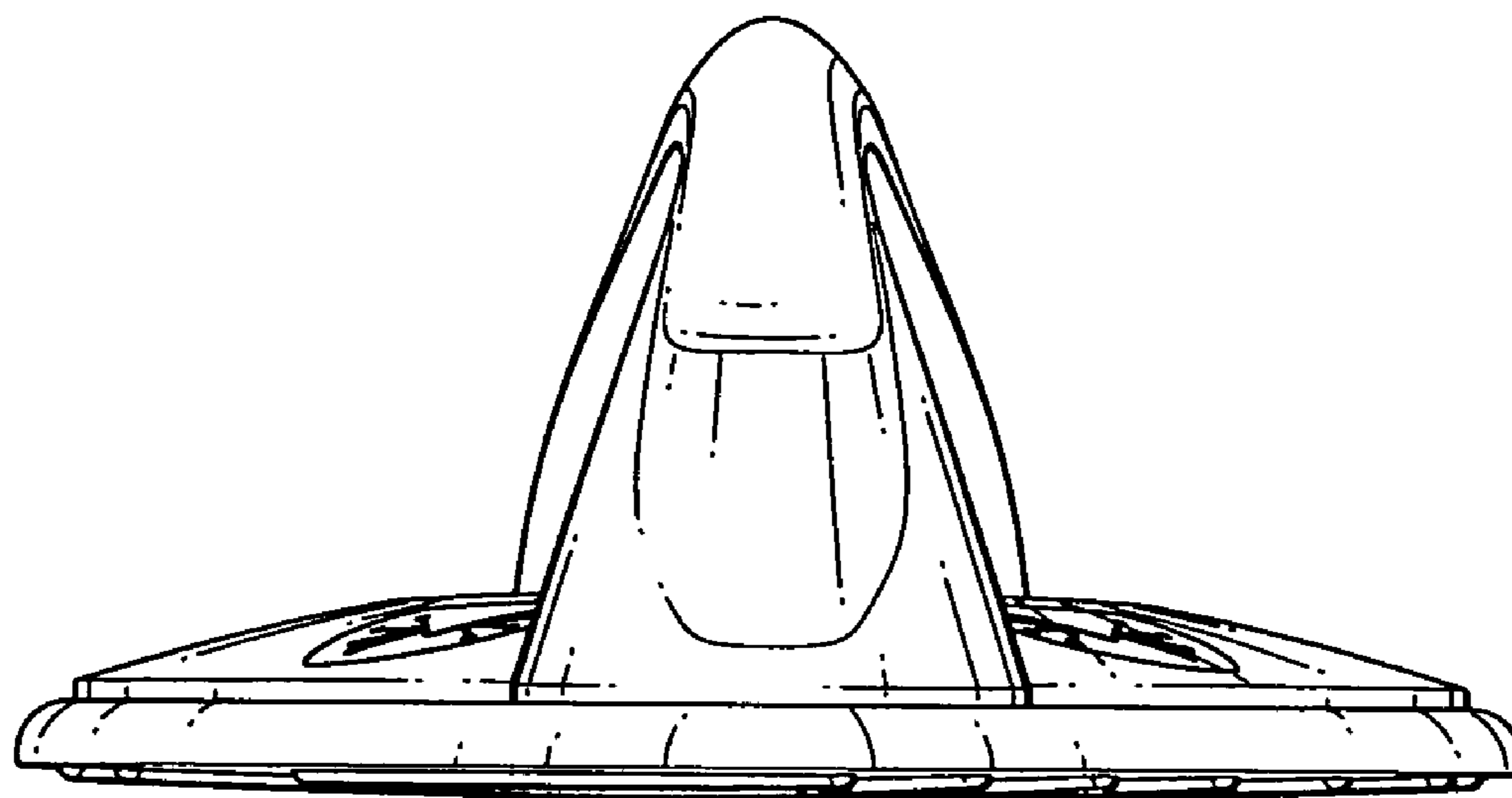


FIG. 6

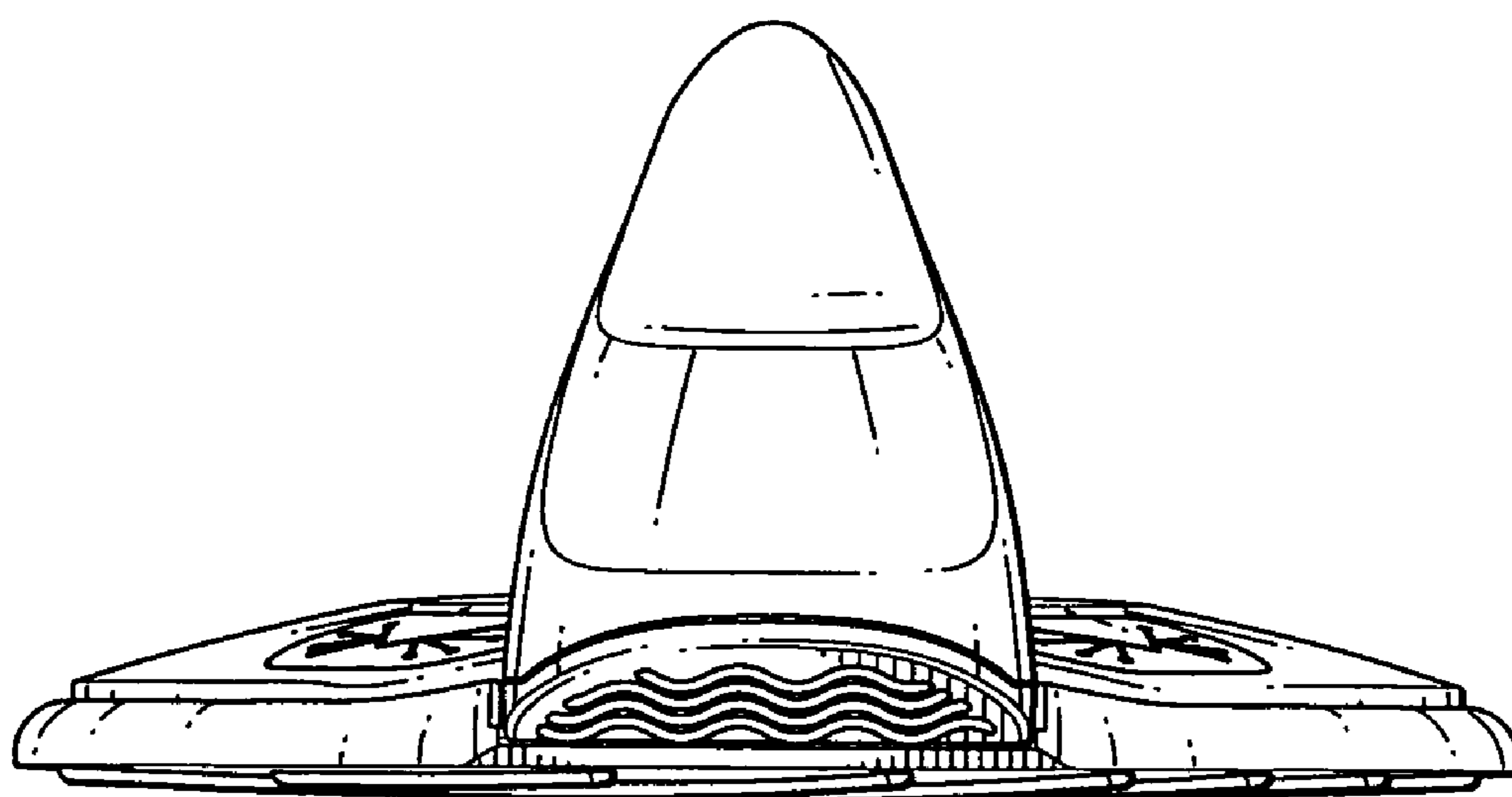


FIG. 7

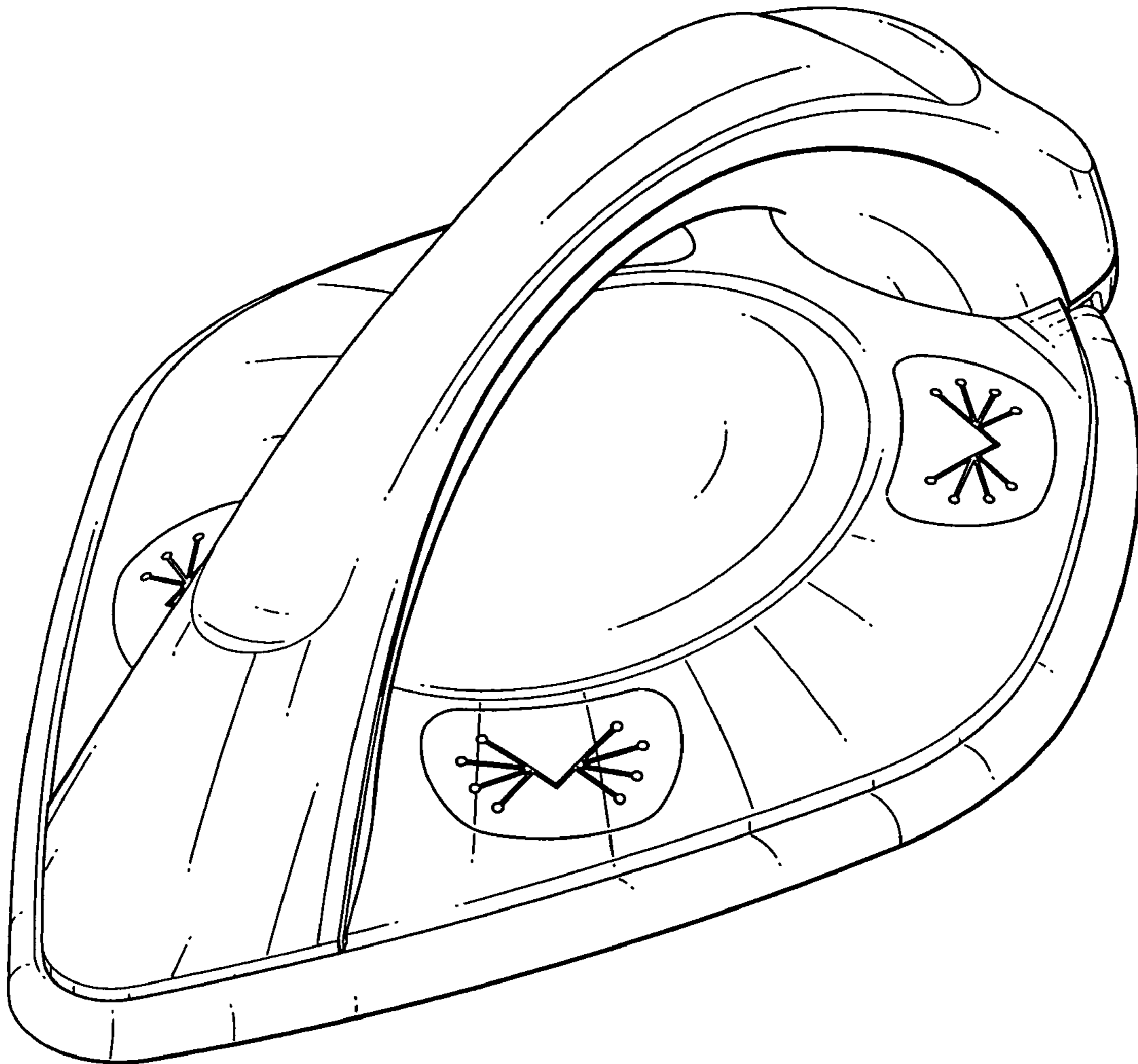


FIG. 8

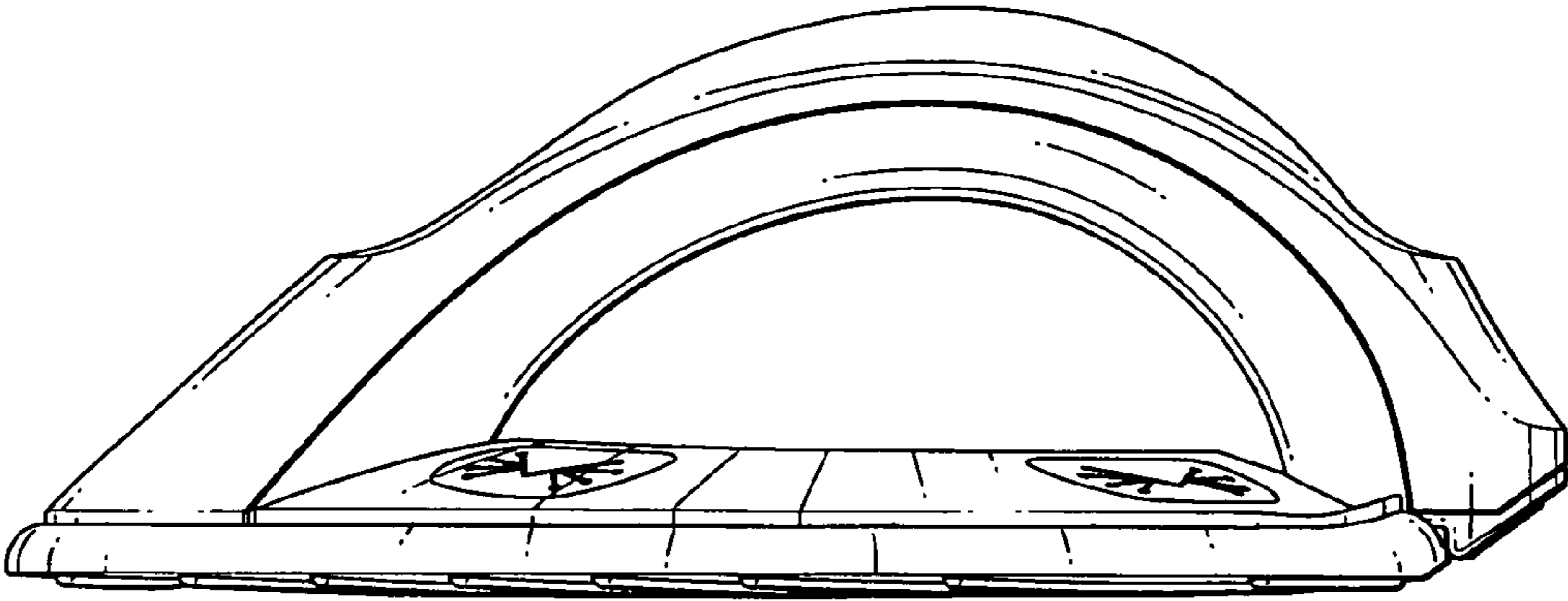


FIG. 9

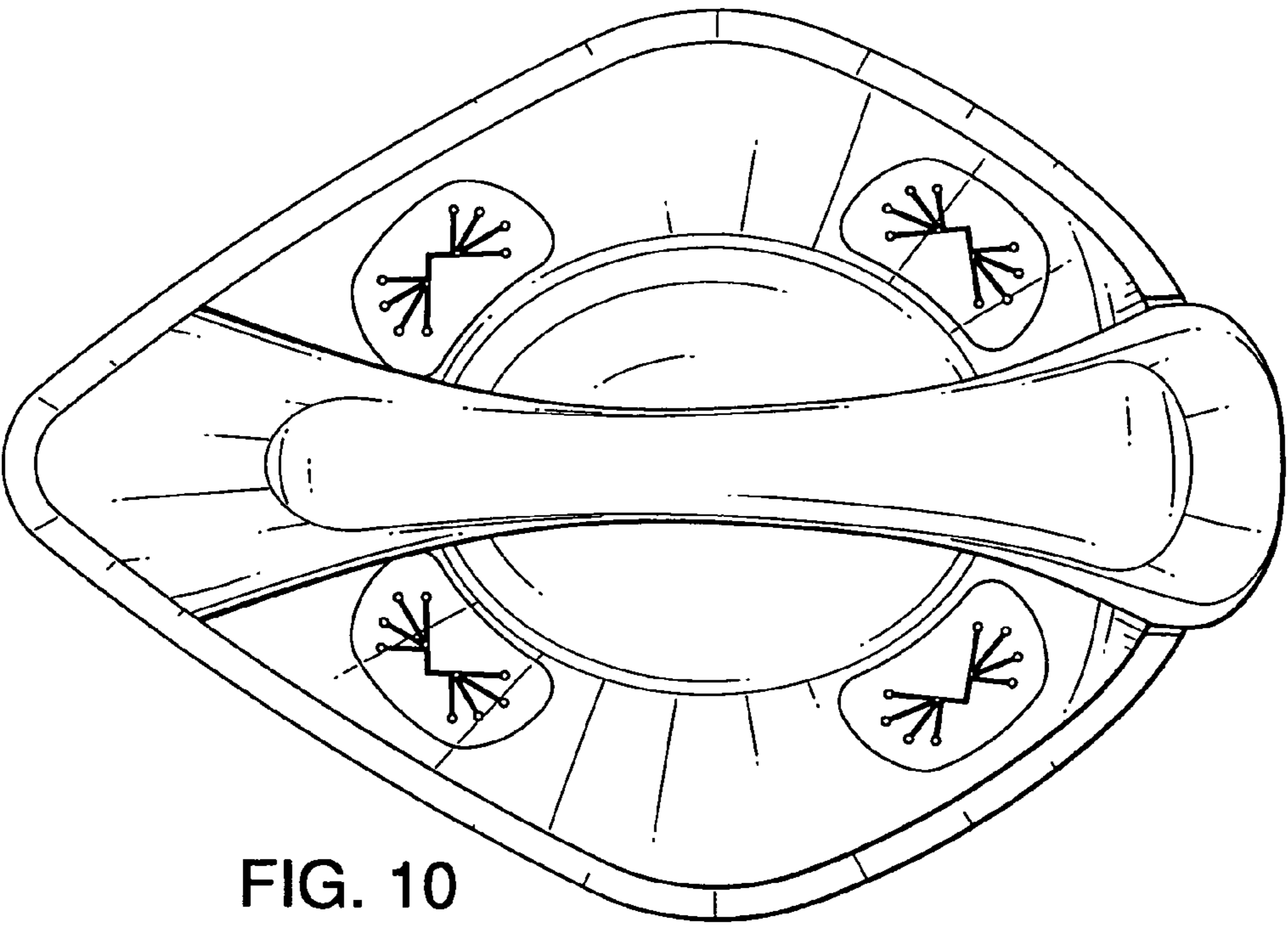


FIG. 10

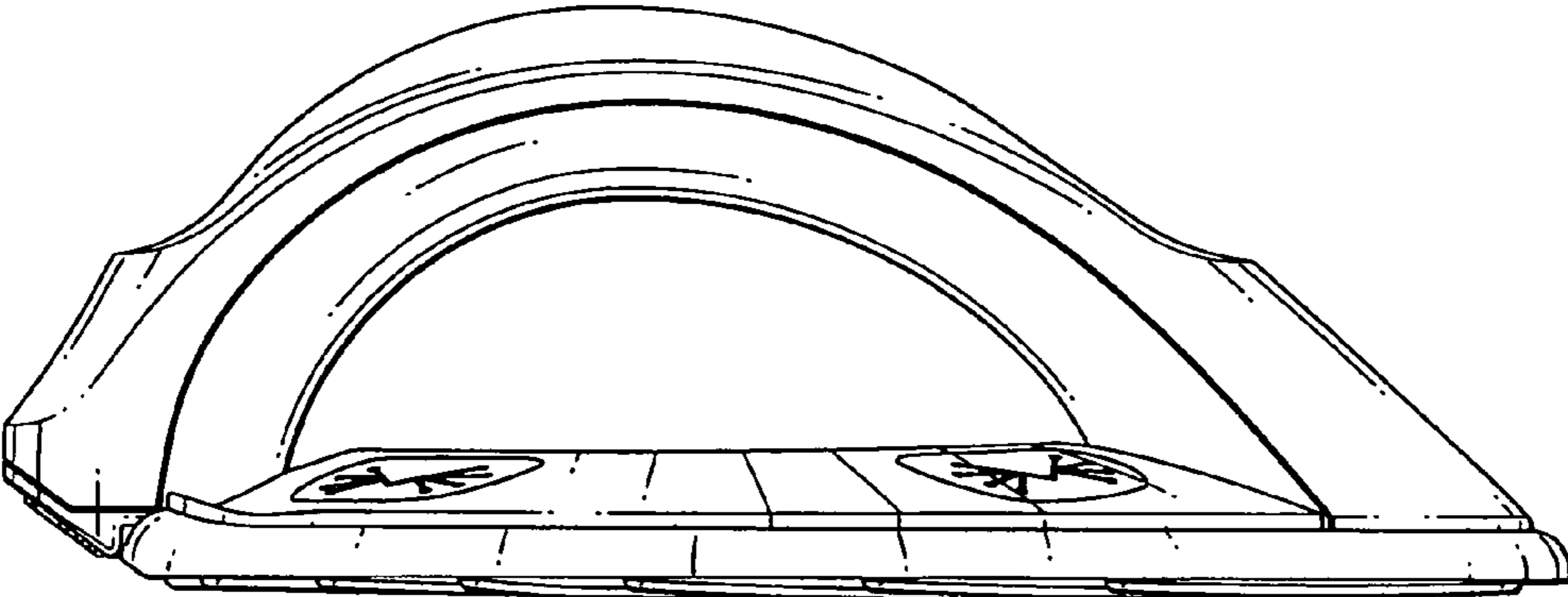


FIG. 11

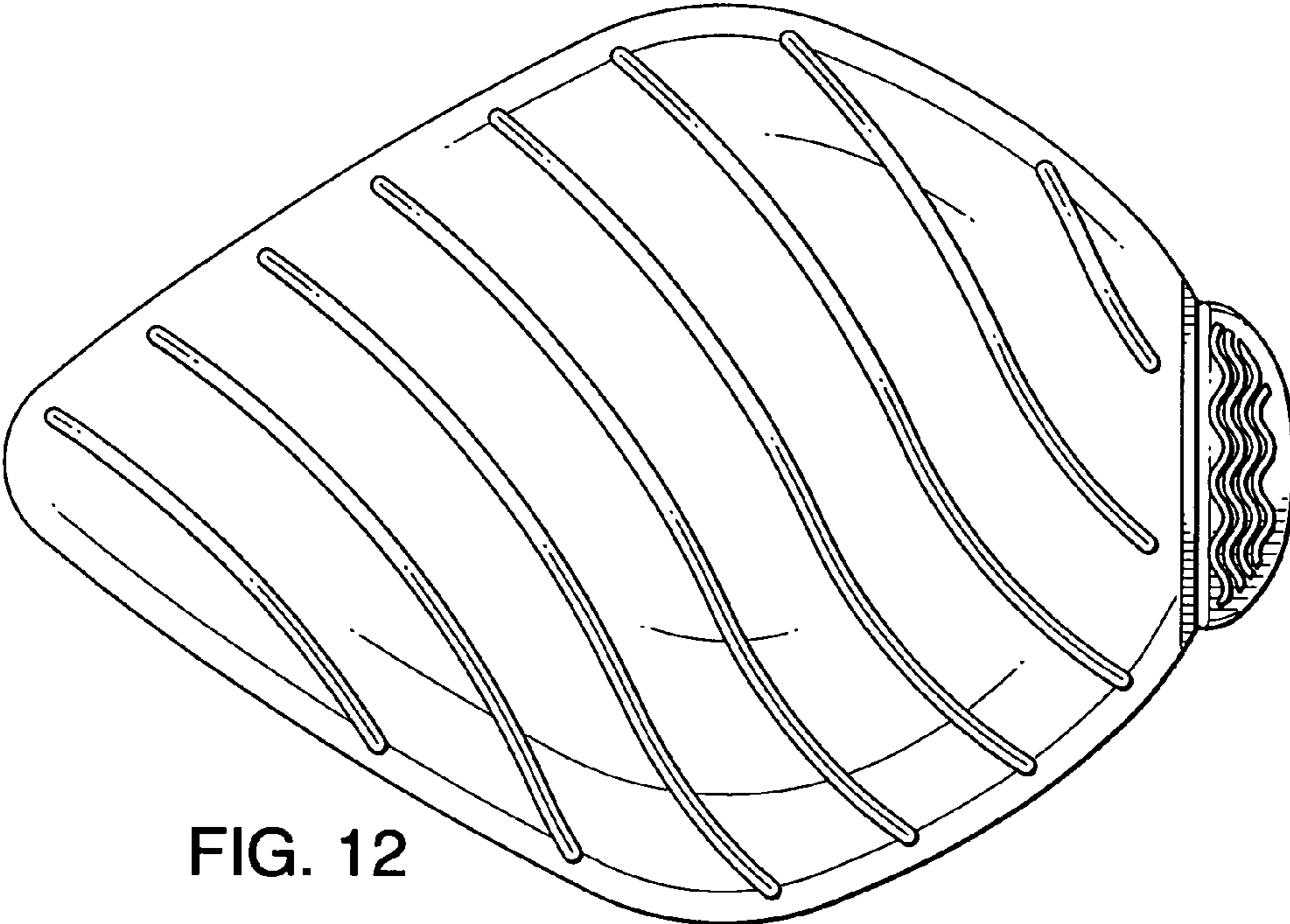


FIG. 12

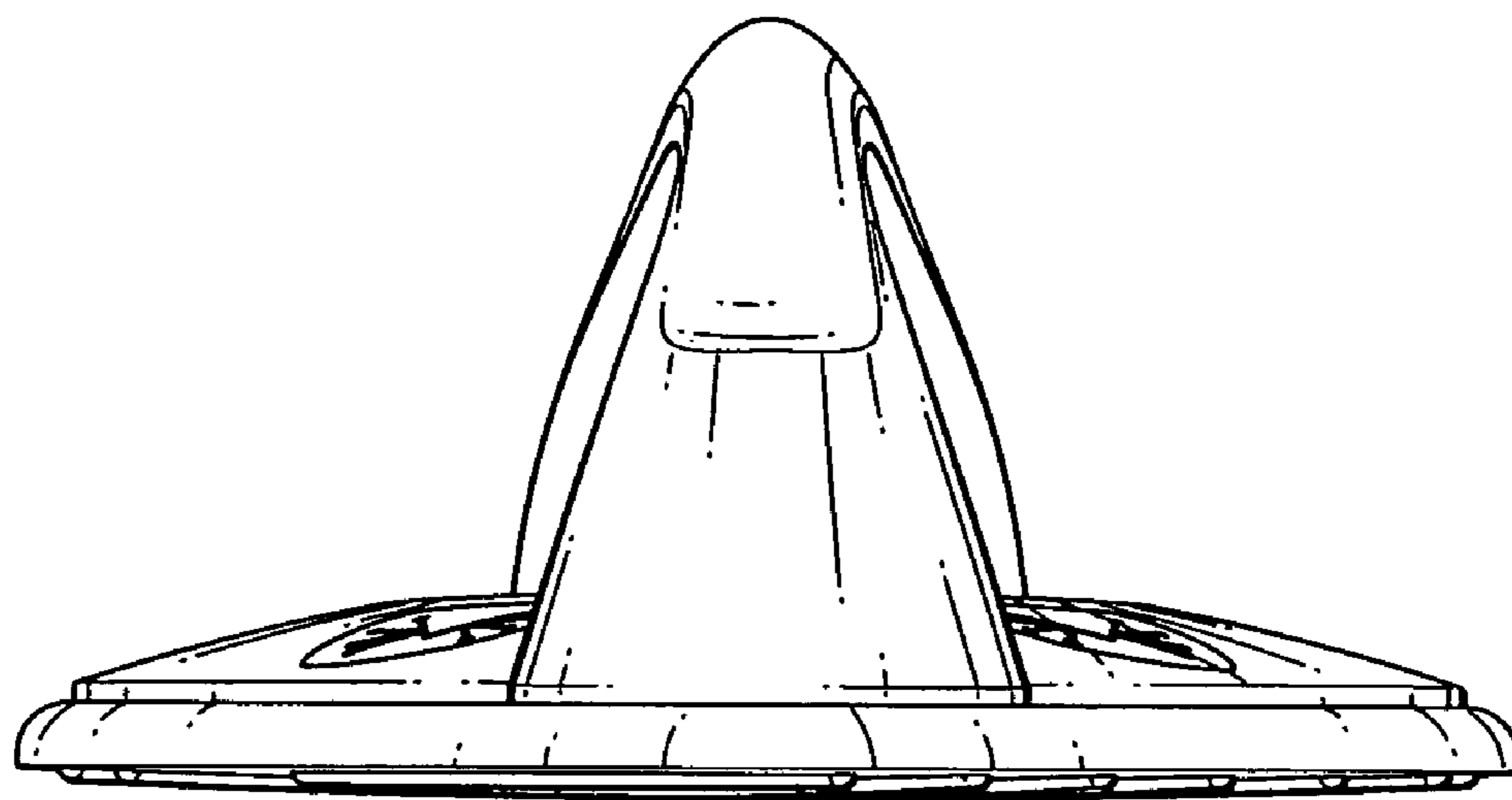


FIG. 13

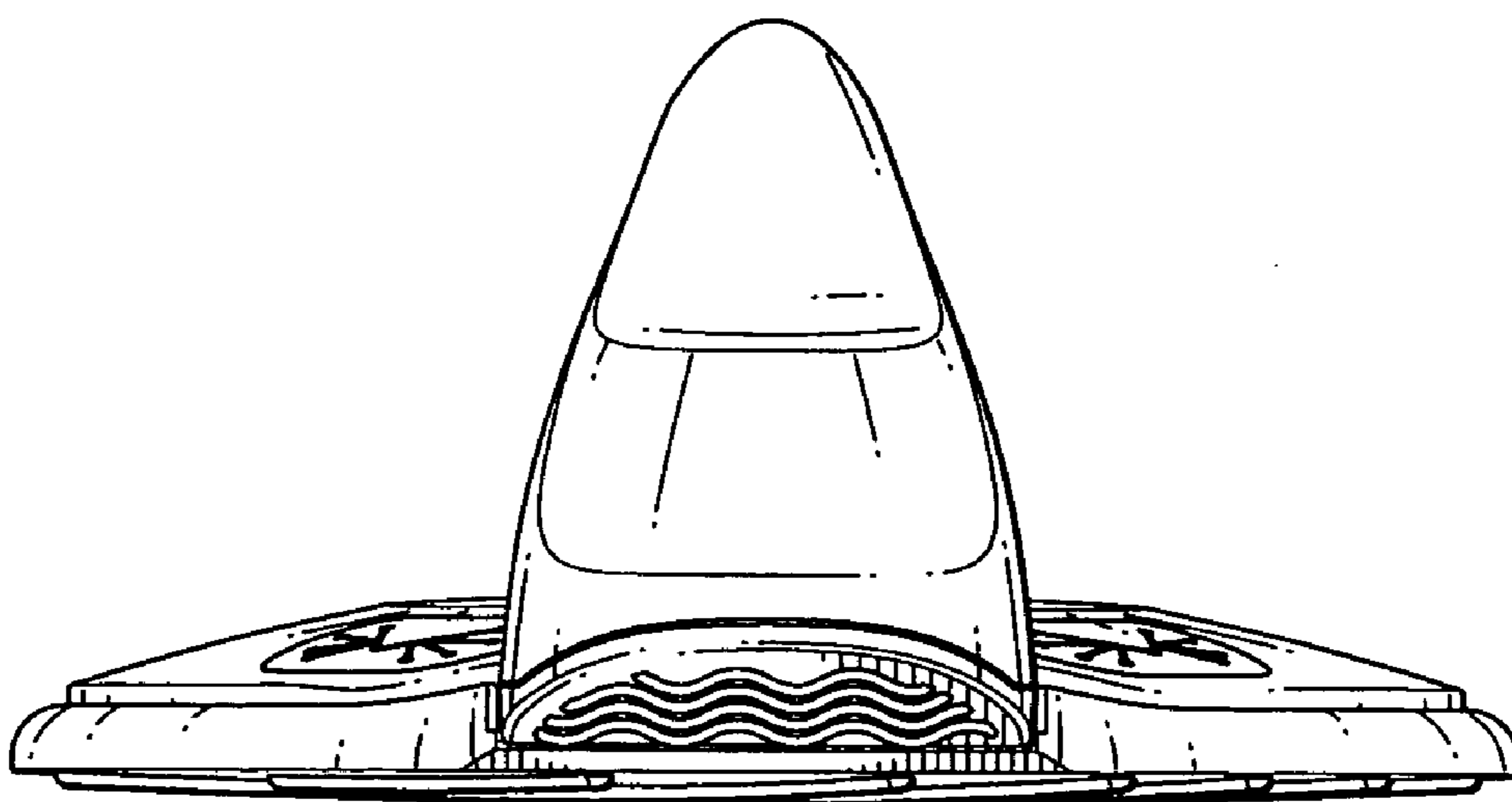


FIG. 14

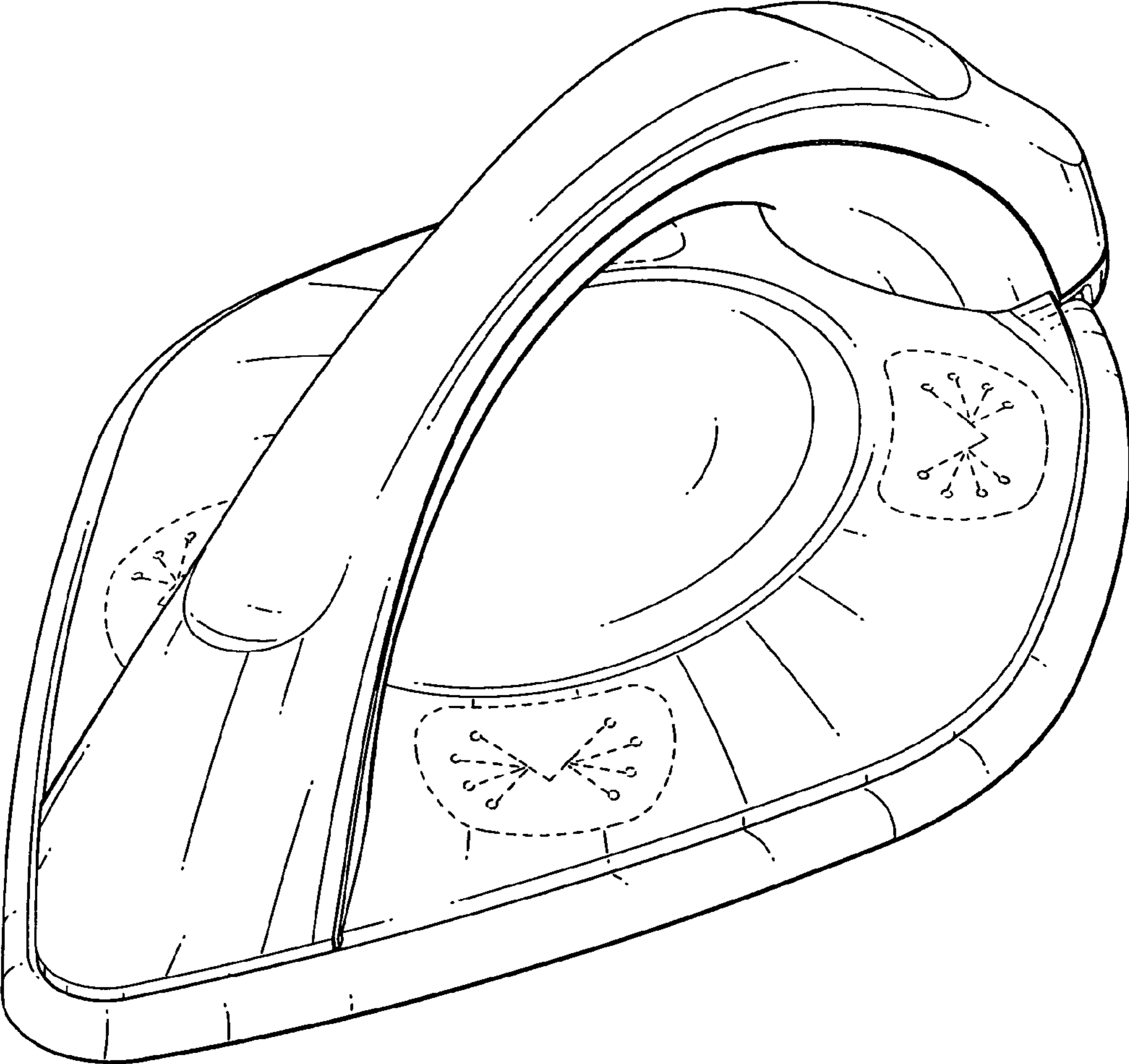


FIG. 15

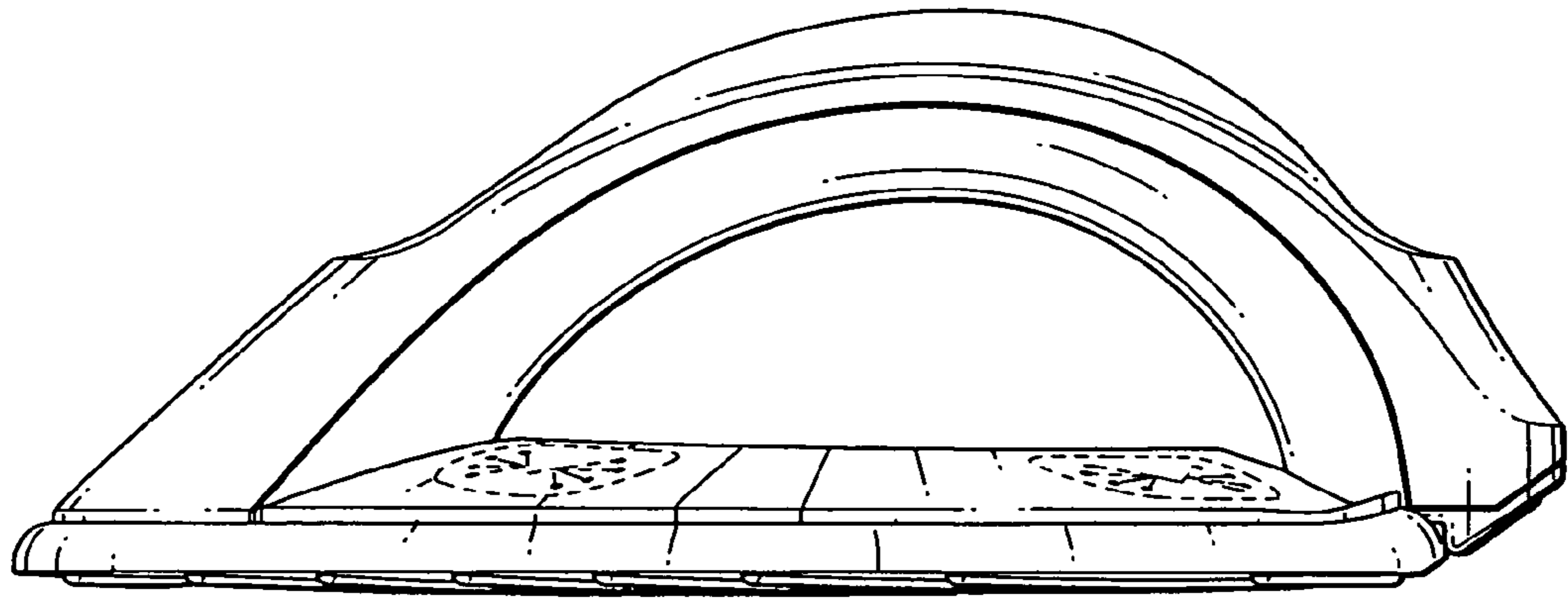


FIG. 16

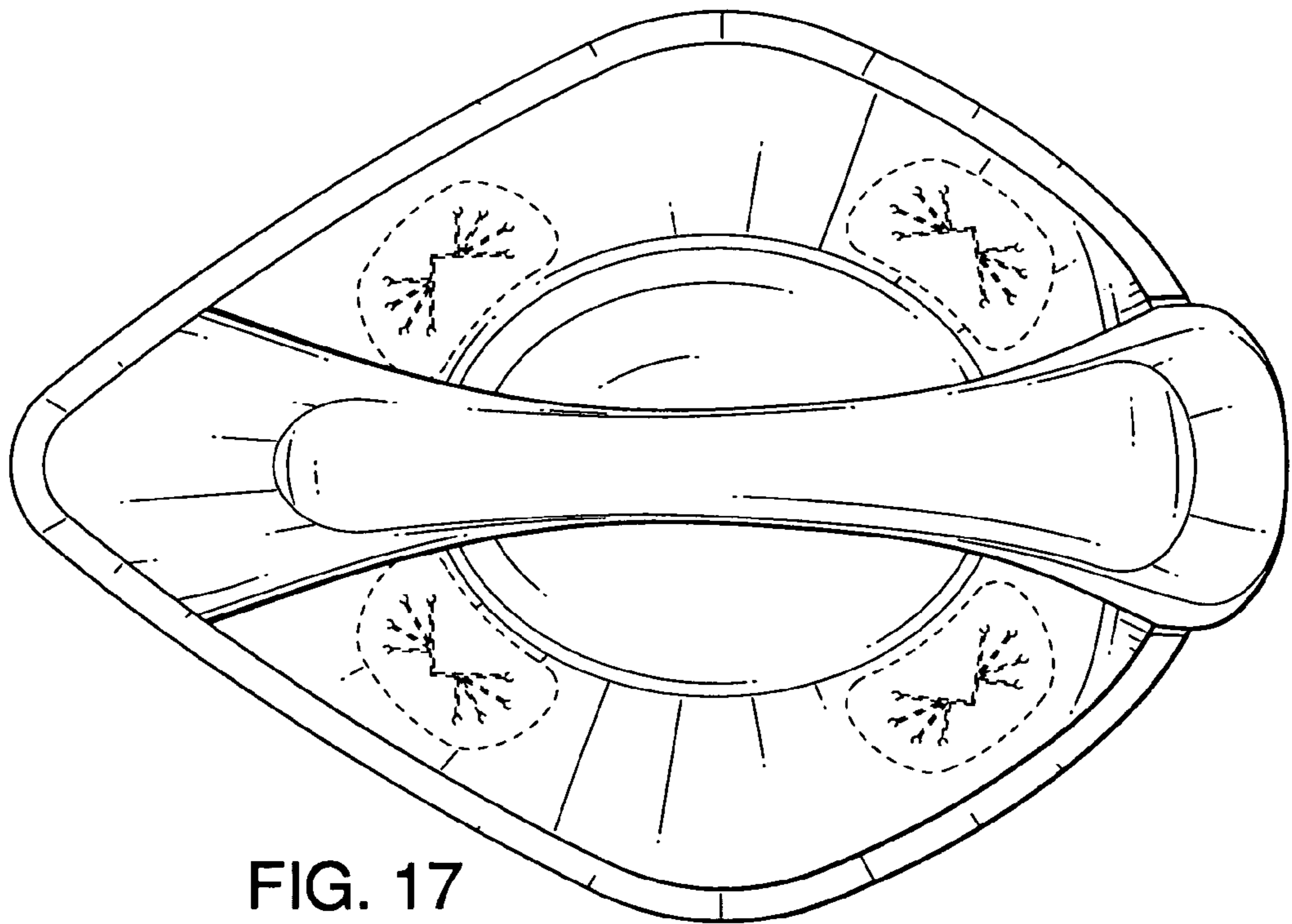


FIG. 17

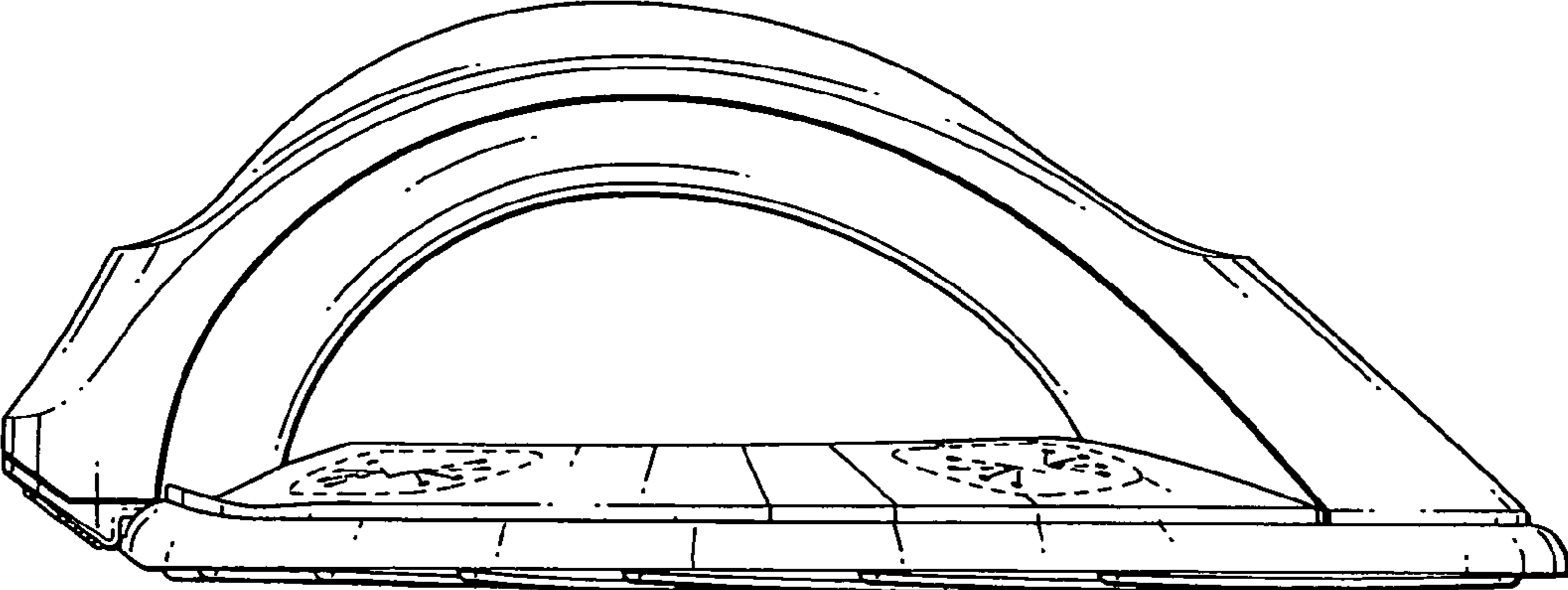


FIG. 18

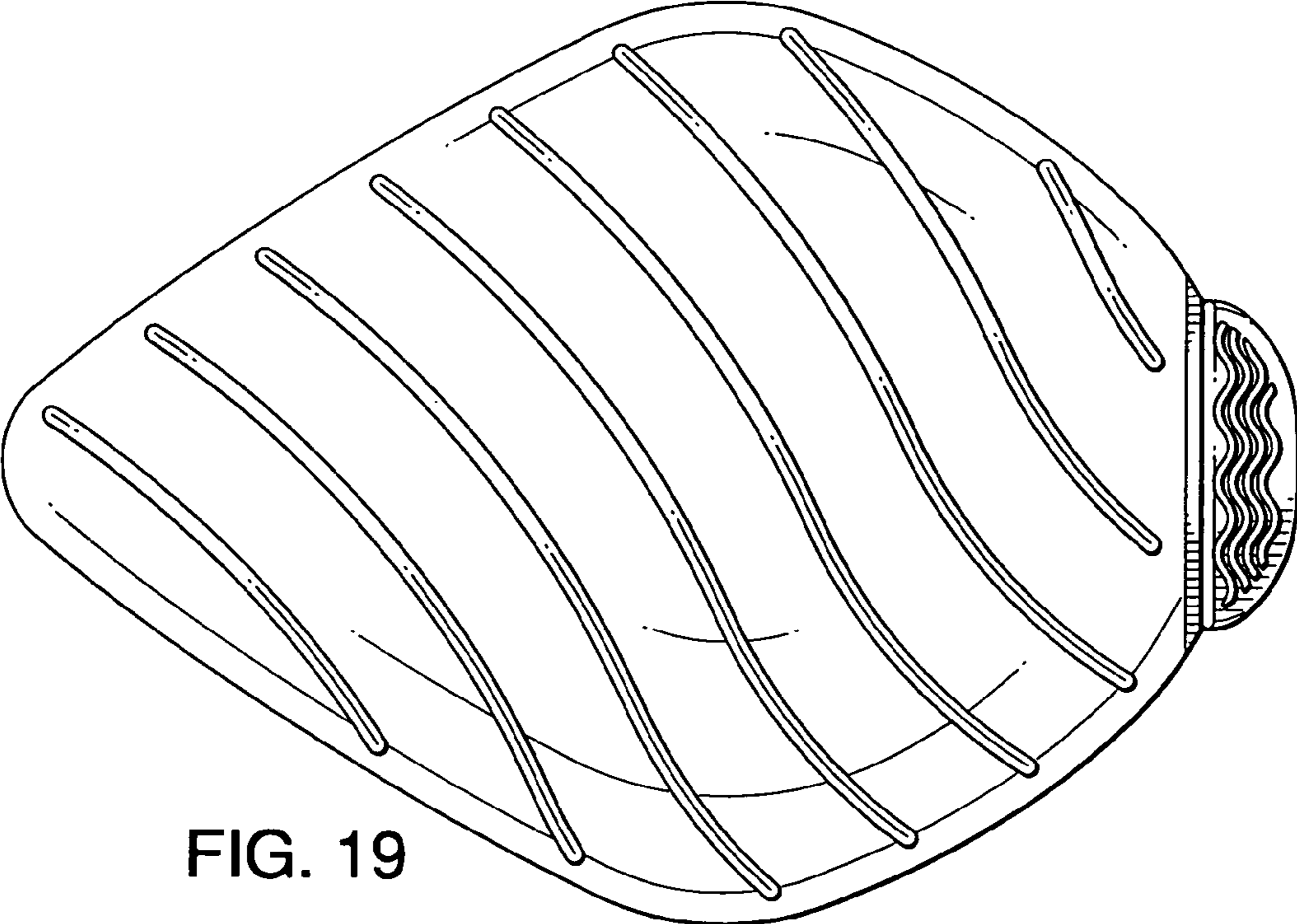


FIG. 19

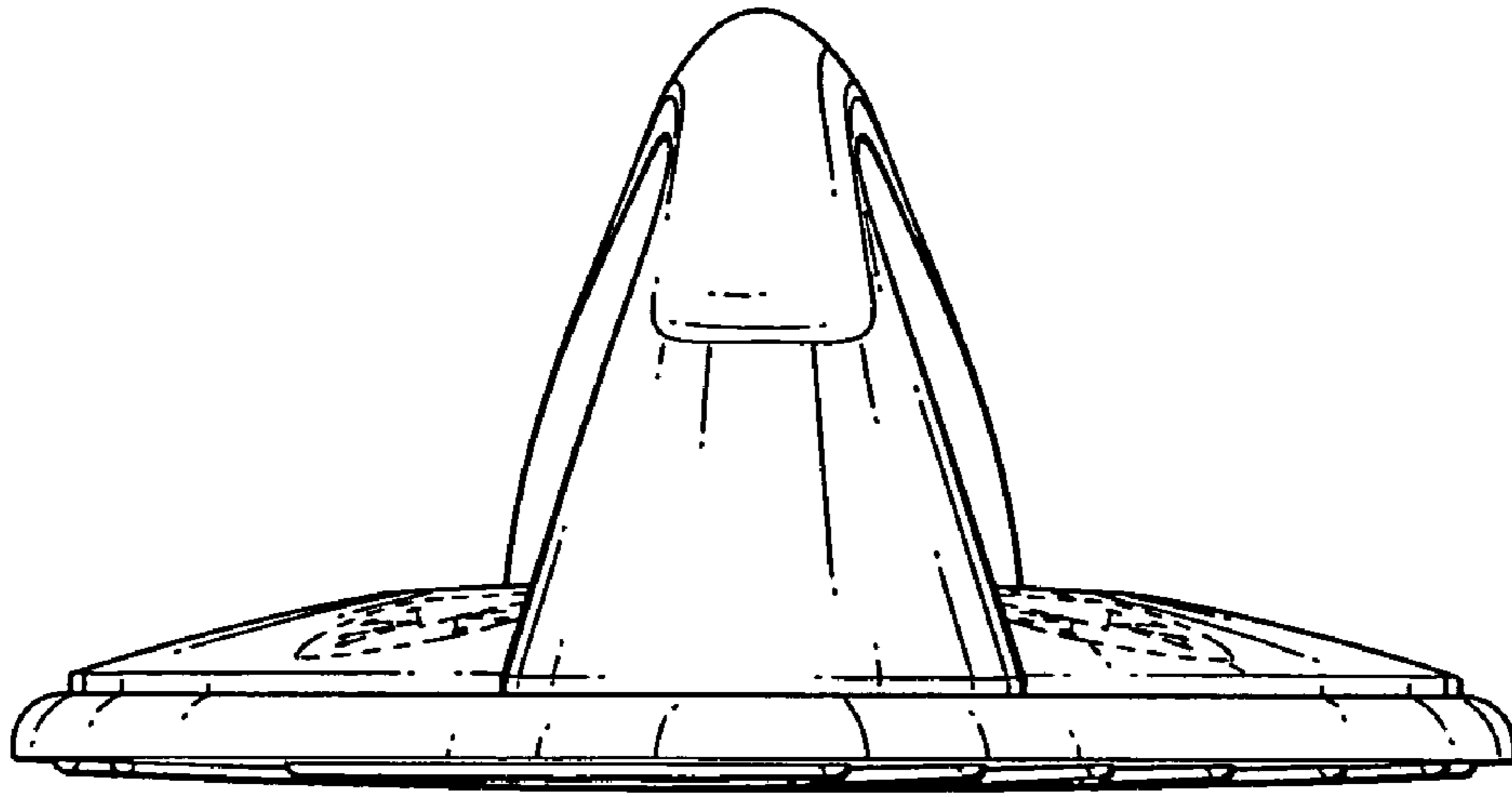


FIG. 20

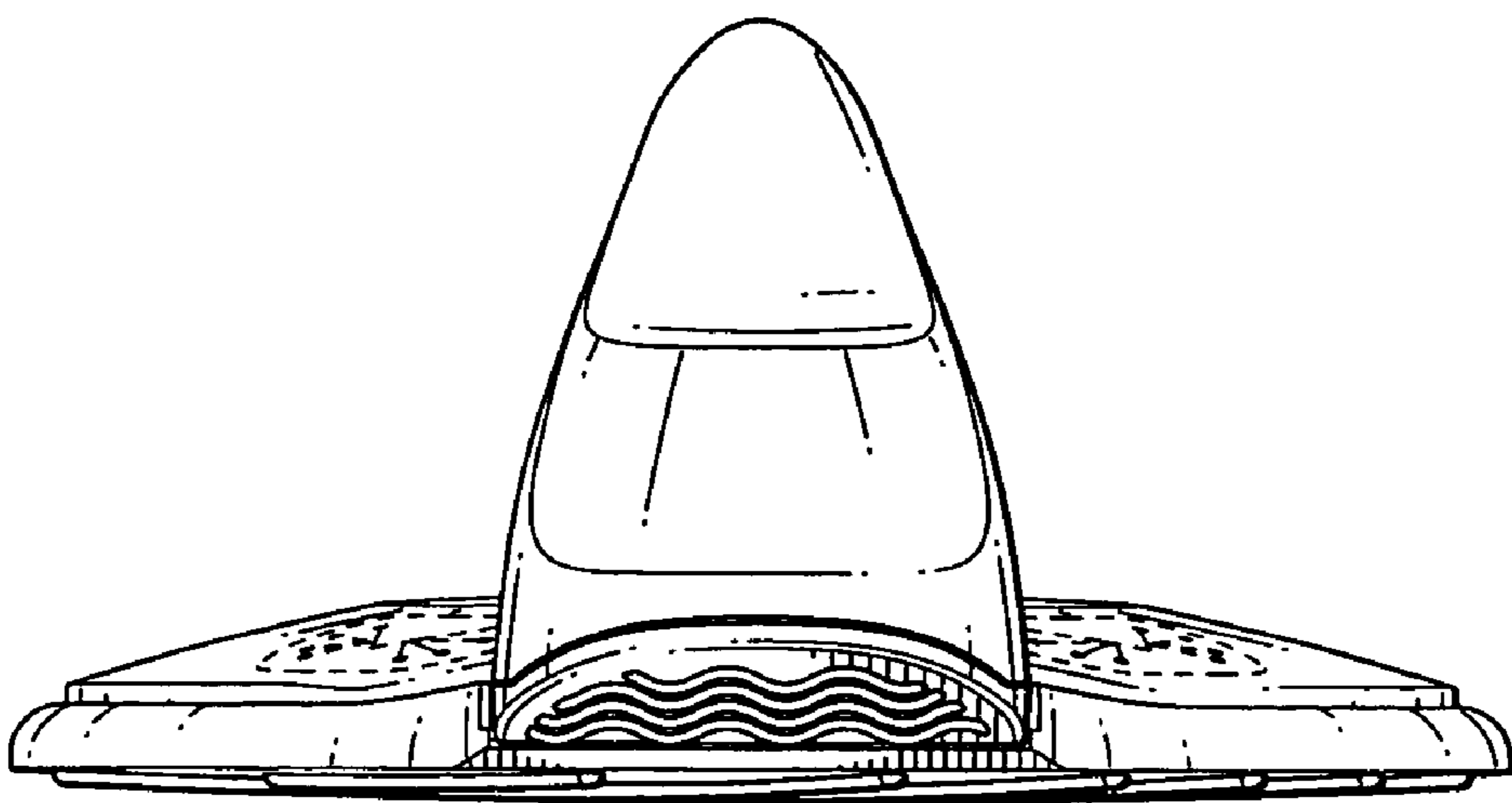


FIG. 21

UNITED STATES PATENT AND TRADEMARK OFFICE
CERTIFICATE OF CORRECTION

PATENT NO. : Des. 578,720 S
APPLICATION NO. : 29/255270
DATED : October 14, 2008
INVENTOR(S) : Alisa Burns Norcom et al.

Page 1 of 1

It is certified that error appears in the above-identified patent and that said Letters Patent is hereby corrected as shown below:

Title page, item [12], "United States Design Patent", delete "Norcorn et al."
and insert --Norcom et al.--.

Title page, item [75], delete "Alisa Burns Norcorn" and insert --Alisa Burns
Norcom--.

Signed and Sealed this

Seventeenth Day of February, 2009



JOHN DOLL
Acting Director of the United States Patent and Trademark Office