



US00D578718S

(12) **United States Design Patent**
Bettanin

(10) **Patent No.:** **US D578,718 S**

(45) **Date of Patent:** **** Oct. 14, 2008**

(54) **ABRASIVE PAD**

(76) **Inventor:** **Cesar Luiz Bettanin**, Rodovia BR 116,
KM 258, S/N-Esteio/RS- (BR)
93270-000

(**) **Term:** **14 Years**

(21) **Appl. No.:** **29/304,267**

(22) **Filed:** **Feb. 27, 2008**

(30) **Foreign Application Priority Data**

Aug. 28, 2007 (BR) DI 6702640

(51) **LOC (8) Cl.** **07-05**

(52) **U.S. Cl.** **D32/40**

(58) **Field of Classification Search** D32/40,
D32/35, 43, 50; D25/113-118; D28/63;
D4/137; 15/209.1, 224, 224.1-224.4
See application file for complete search history.

(56) **References Cited**

U.S. PATENT DOCUMENTS

D420,183 S *	2/2000	Tintelnot	D32/40
D421,166 S *	2/2000	Tintelnot	D32/40
D452,053 S *	12/2001	Denney	D32/40
6,574,825 B1 *	6/2003	Boldy	15/244.4
D506,587 S *	6/2005	Armaly, Jr.	D32/40
D525,403 S *	7/2006	Olsson et al.	D32/50
7,210,188 B1 *	5/2007	Kirby	15/244.4

D550,414 S *	9/2007	Caruso et al.	D32/40
D551,407 S *	9/2007	Caruso et al.	D32/40
D552,313 S *	10/2007	Caruso et al.	D32/40
D553,744 S *	10/2007	Park	D24/155

* cited by examiner

Primary Examiner—Pamela J Burgess

(74) *Attorney, Agent, or Firm*—Edwin P. Tarver; Patel & Alunit, P.C.

(57) **CLAIM**

The ornamental design of an abrasive pad, as herein shown and described.

DESCRIPTION

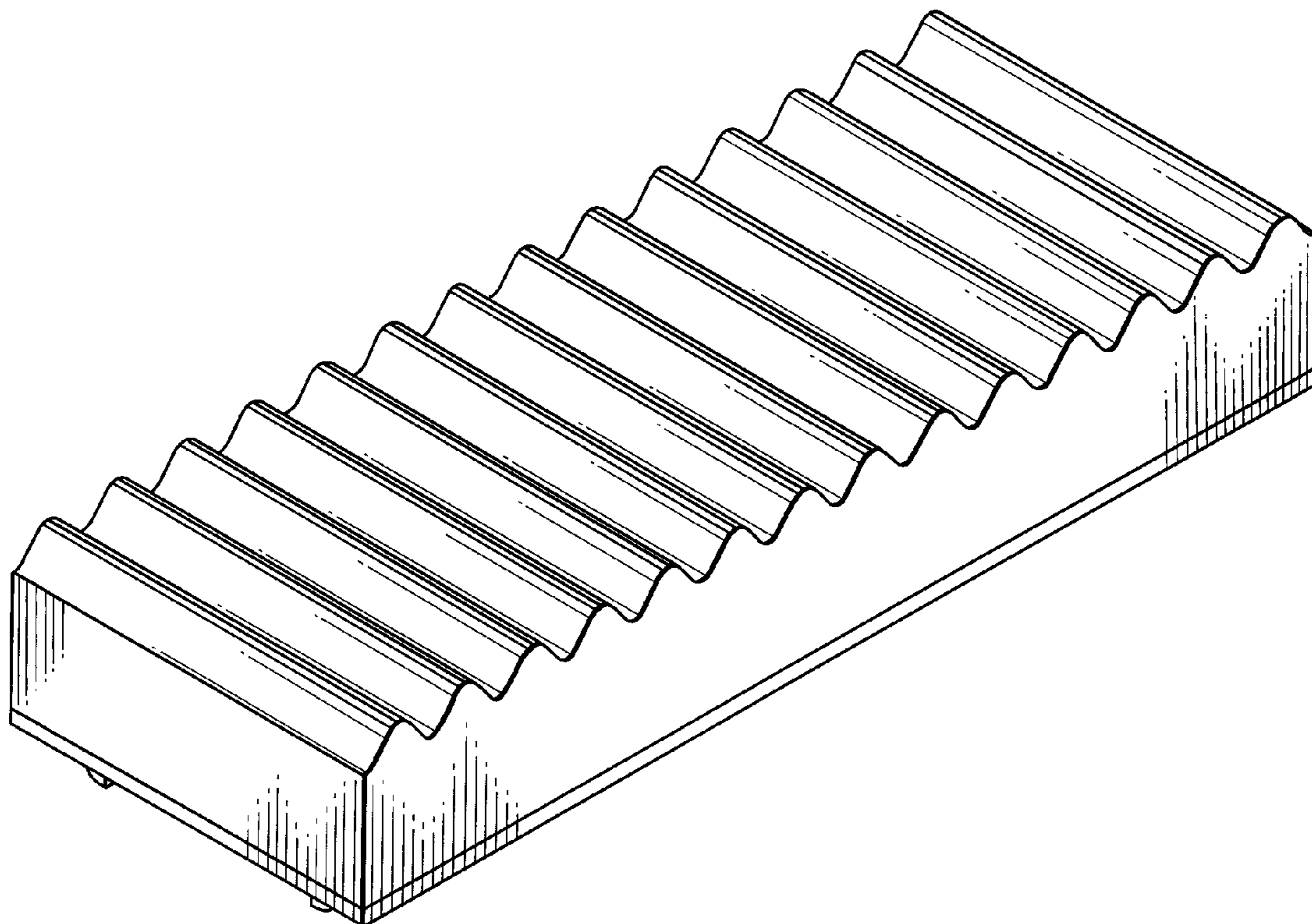
Portions of the disclosure of this patent document contain material that is subject to copyright protection. The copyright owner has no objection to the facsimile reproduction by any one of the patent document or the patent disclosure as it appears in the Patent and Trademark Office file or records, but otherwise reserves all copyright rights whatsoever.

FIG. 1 is a top perspective view of the abrasive pad of the present invention.

FIG. 2 is a bottom perspective view of the abrasive pad of the present invention; and,

FIG. 3 is a side view of the abrasive pad of the present invention.

1 Claim, 3 Drawing Sheets



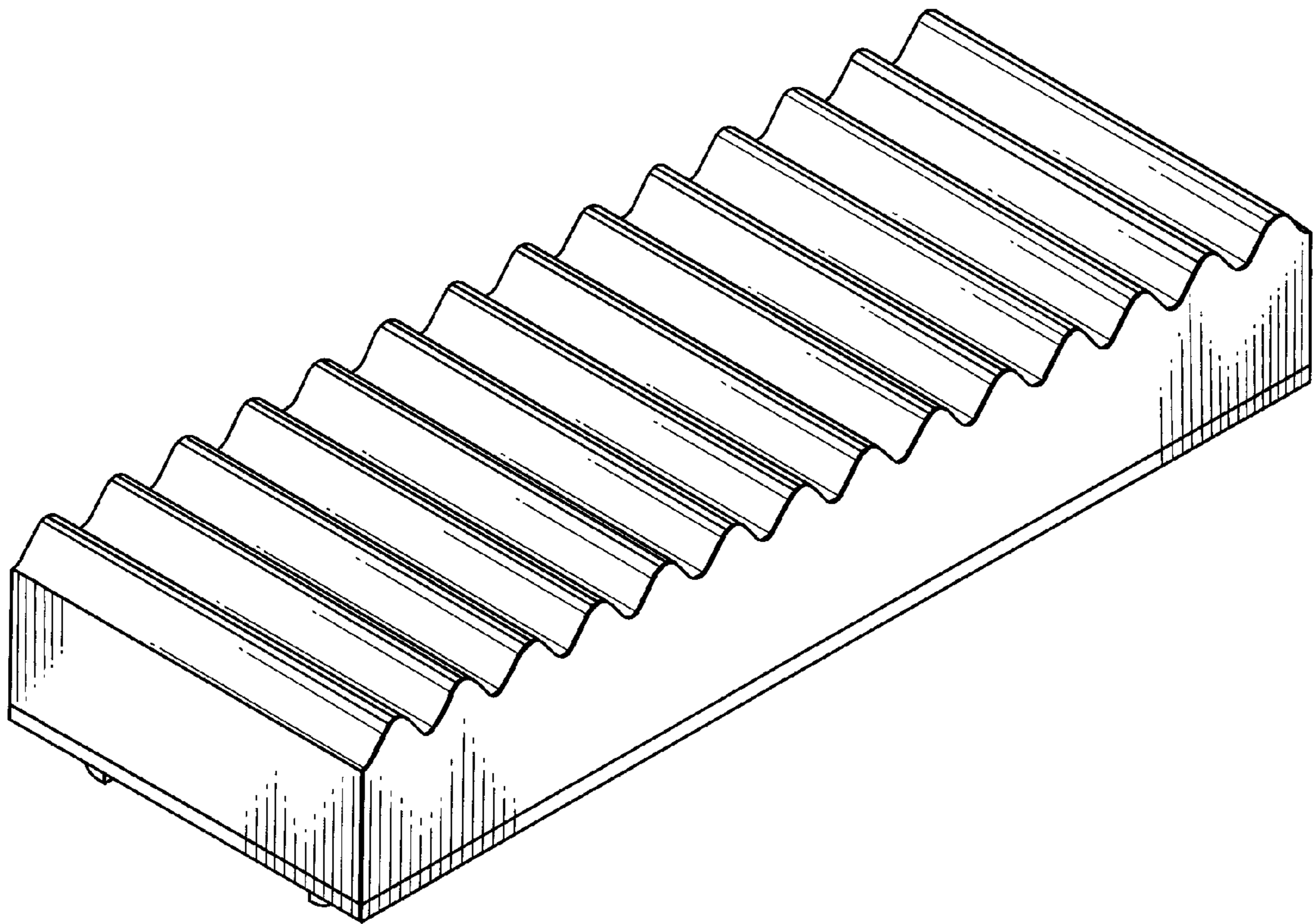


Fig. 1

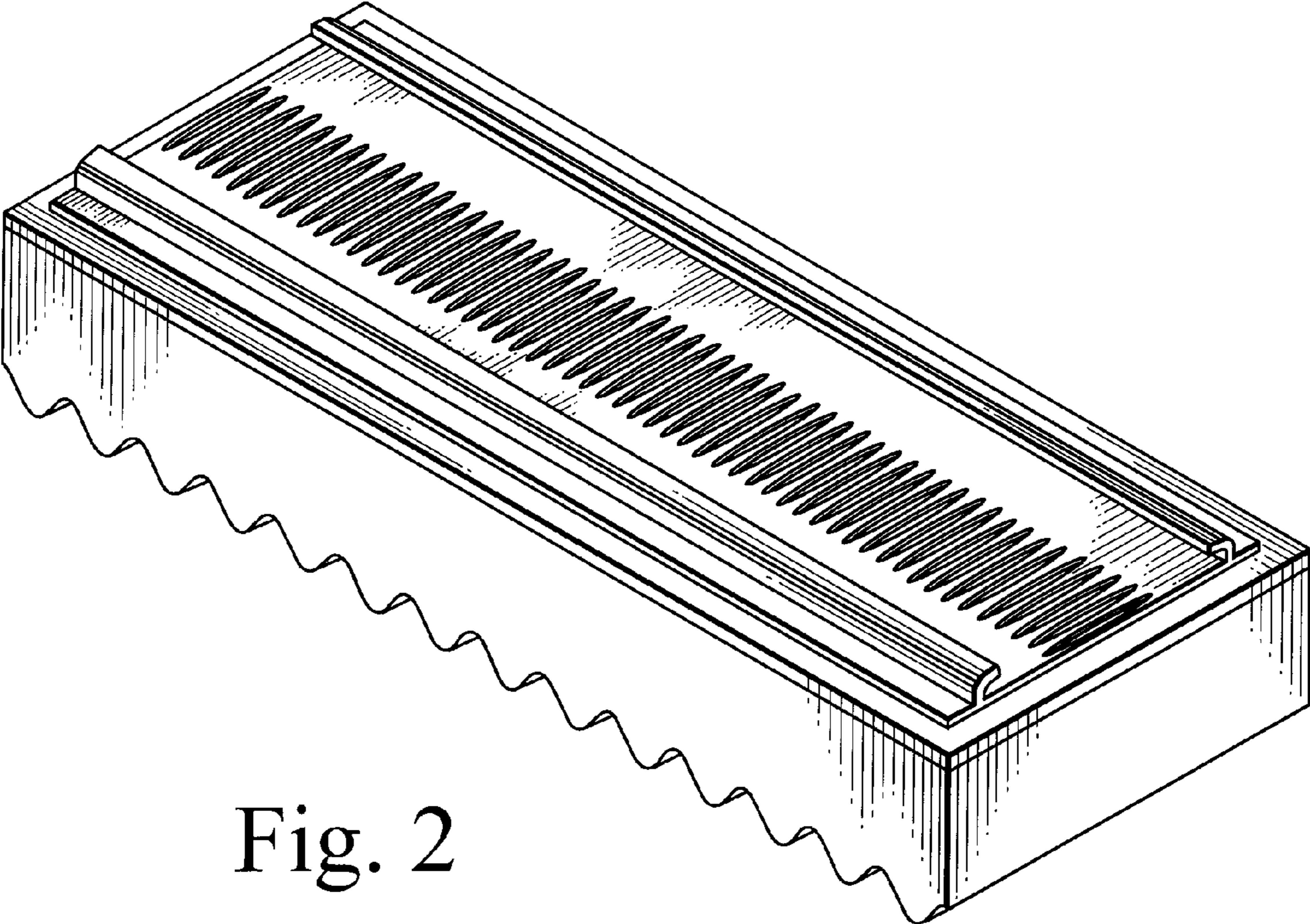


Fig. 2

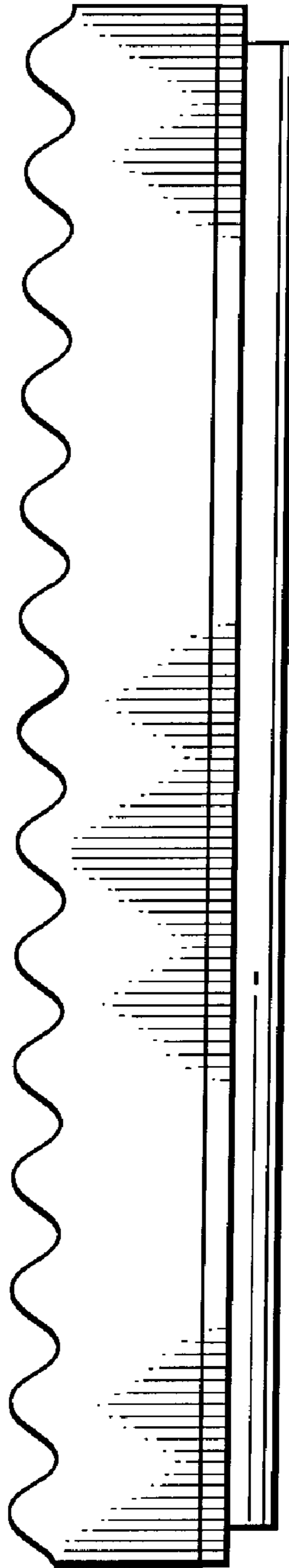


Fig. 3