



US00D578715S

(12) **United States Design Patent**
Newton et al.

(10) **Patent No.:** **US D578,715 S**
(45) **Date of Patent:** **** Oct. 14, 2008**

(54) **CONTAINER**

(75) Inventors: **John Newton**, Mira VE (IT); **Andrea Marigo**, Mira VE (IT); **Liliana Oliva**, Mira VE (IT); **Alberto Buogo**, Mira VE (IT); **Stefano Maretto**, Mira VE (IT)

(73) Assignee: **Reckitt Benckiser N.V.**, WT Hoofddorp (NL)

(**) Term: **14 Years**

(21) Appl. No.: **29/283,428**

(22) Filed: **Aug. 14, 2007**

(30) **Foreign Application Priority Data**

Feb. 21, 2007 (EM) 000675368

(51) **LOC (8) Cl.** **15-05**

(52) **U.S. Cl.** **D32/3**

(58) **Field of Classification Search** D32/1-3, D32/25, 28, 29.1; D23/208; D9/424, 452, D9/515, 591; 222/478, 481, 485, 529; 134/93
See application file for complete search history.

(56) **References Cited**

U.S. PATENT DOCUMENTS

- D248,103 S * 6/1978 Larson et al. D32/3
- D306,224 S * 2/1990 Nystuen D32/3
- D308,738 S * 6/1990 Nystuen D32/3
- D308,739 S * 6/1990 Nystuen D32/3
- 5,186,912 A * 2/1993 Steindorf et al. 422/263

- 5,229,823 A * 7/1993 Kalyandurg et al. 118/612
- 5,579,656 A * 12/1996 Shin 68/17 R
- 5,827,486 A * 10/1998 Crossdale 422/282
- D456,962 S * 5/2002 Schick D32/25
- D457,993 S * 5/2002 Schick D32/25
- 6,773,668 B1 * 8/2004 Everson et al. 422/28
- D498,566 S * 11/2004 Schick et al. D32/3
- D539,993 S * 4/2007 Brandt D32/3

* cited by examiner

Primary Examiner—Louis S Zarfaz
Assistant Examiner—Kathleen M Sims

(57) **CLAIM**

The ornamental design for a container, as shown and described.

DESCRIPTION

FIG. 1 is a side, perspective view of the cartridge portion of the container partially inserted into the body portion of the container, showing our new design;

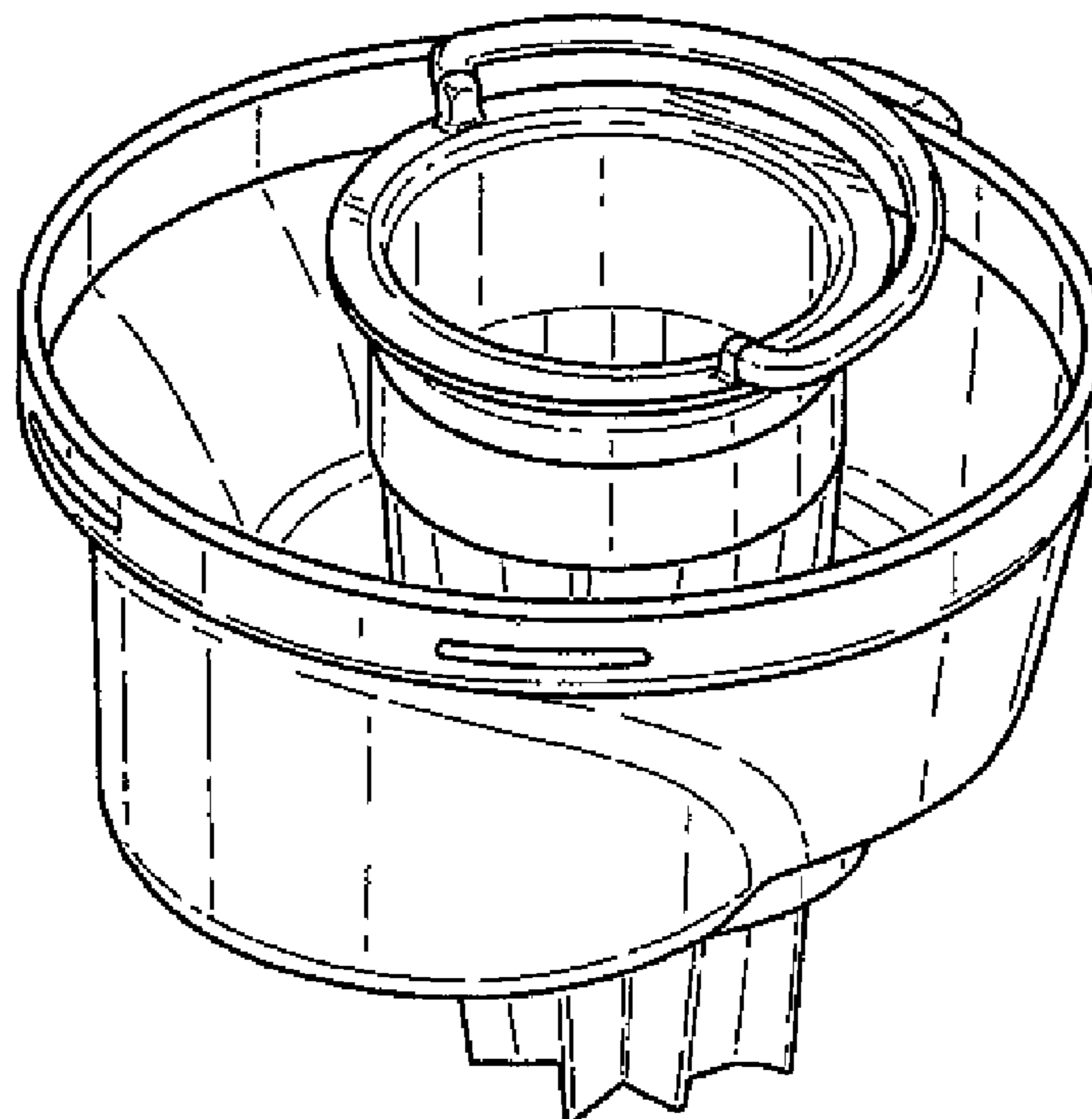
FIG. 2 is a top, perspective view of the cartridge portion of the container fully inserted into the body portion of the container;

FIG. 3 is a bottom, perspective view of the cartridge portion of the container fully inserted into the body portion of the container;

FIG. 4 is a top, perspective view of the cartridge portion of the container; and,

FIG. 5 is a bottom, perspective view of the cartridge portion of the container.

1 Claim, 3 Drawing Sheets



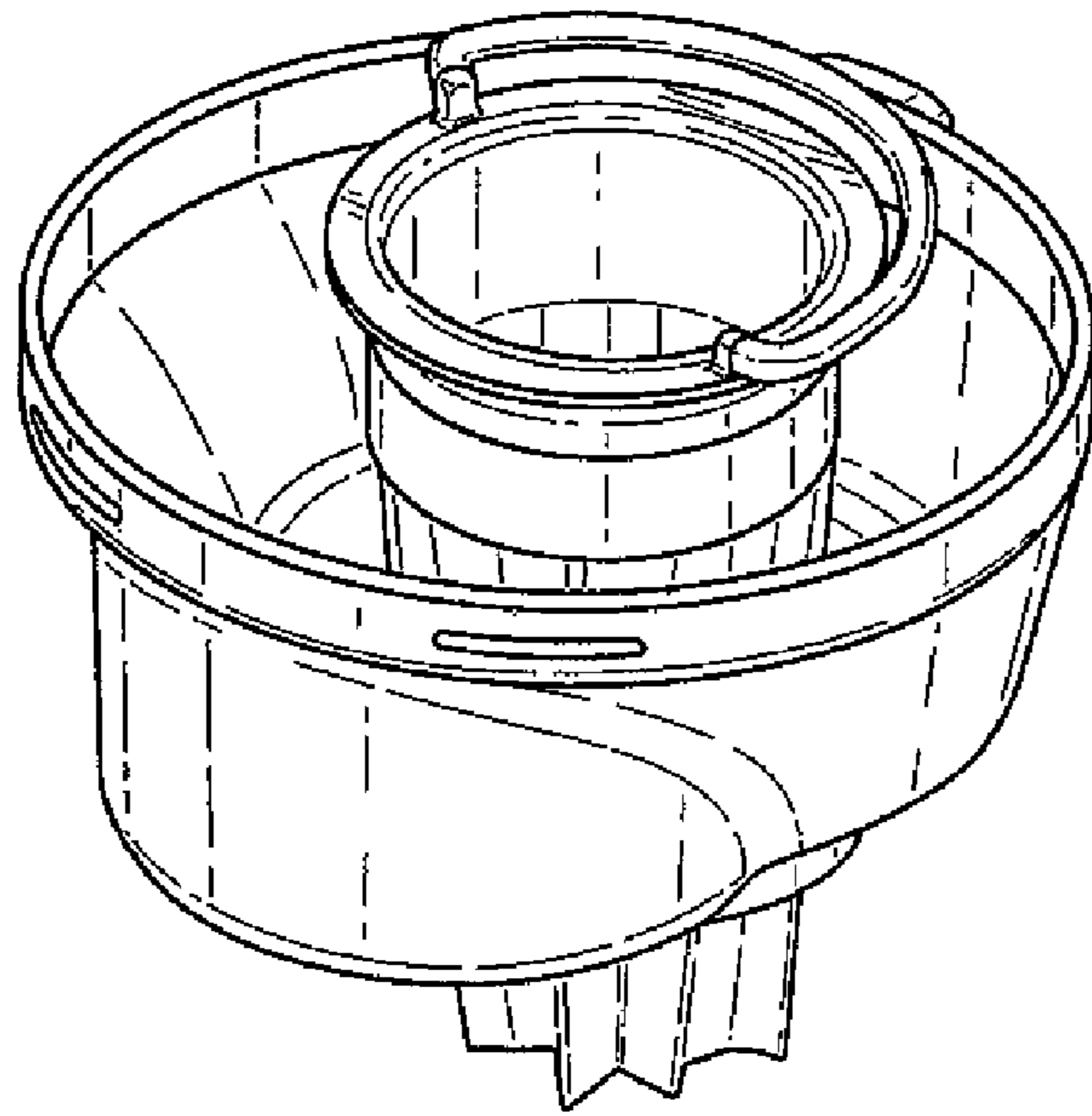


Fig.1.

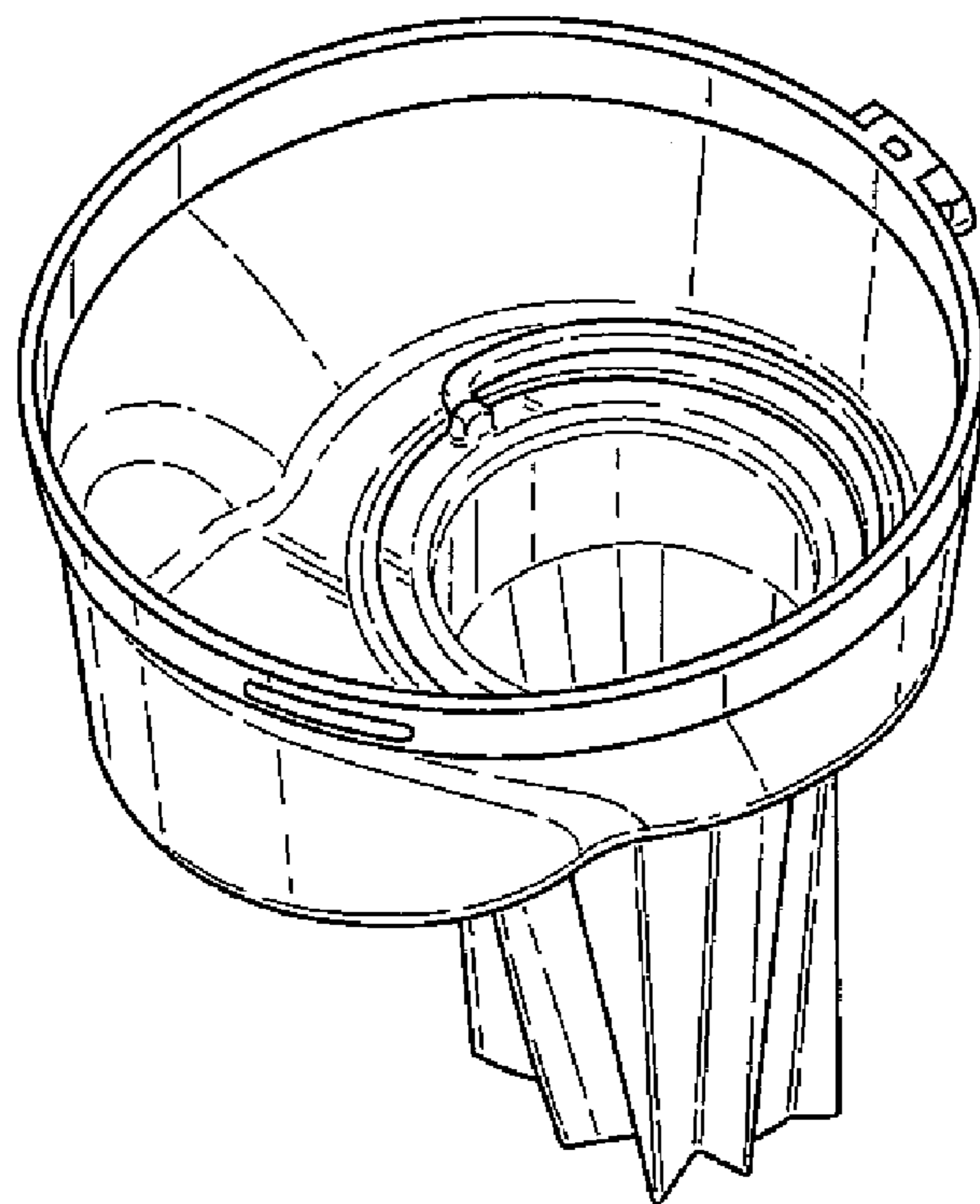


Fig.2.

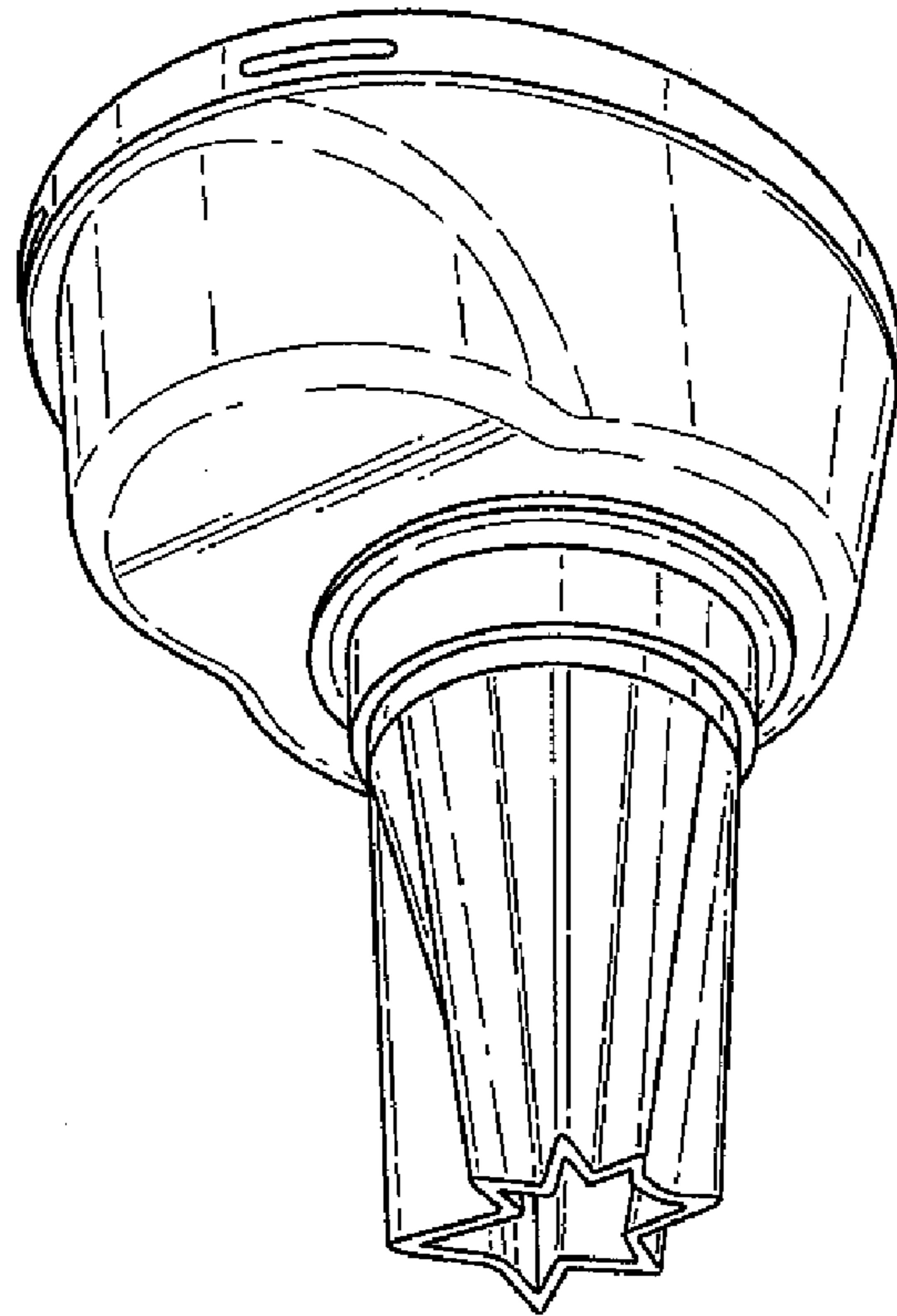


Fig.3.

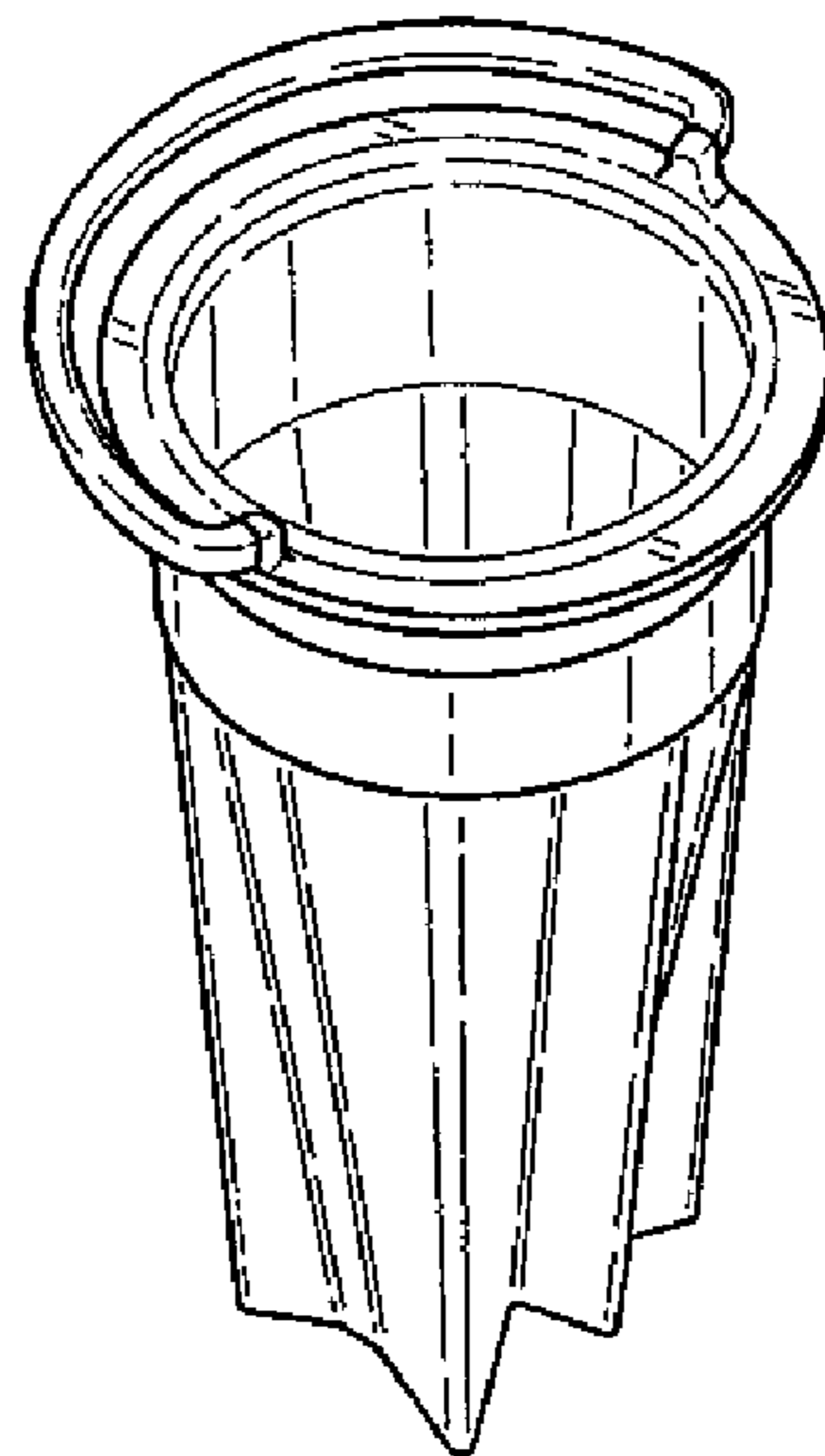


Fig.4.

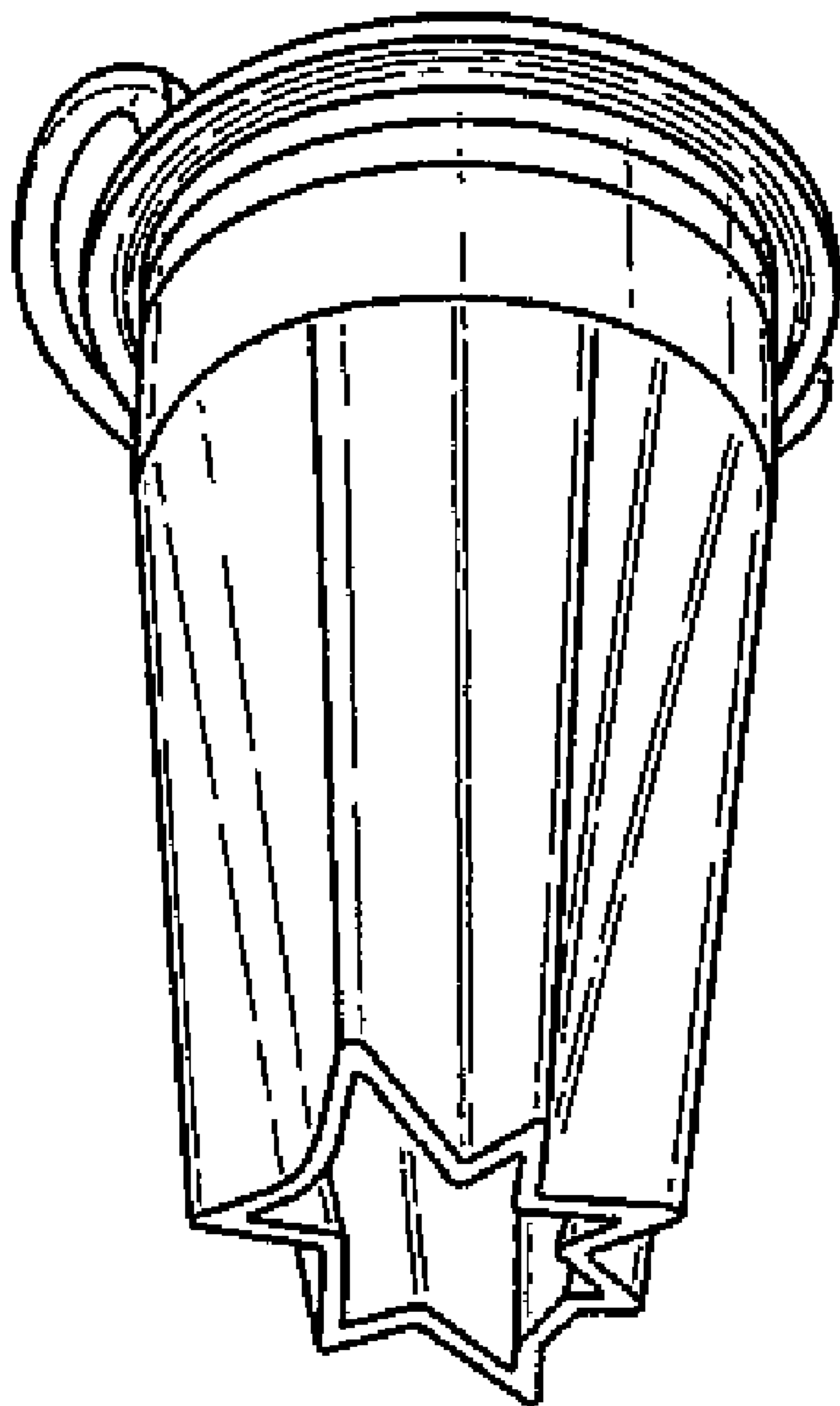


Fig. 5.