



US00D578713S

(12) **United States Design Patent**
Keeler

(10) **Patent No.:** **US D578,713 S**
(45) **Date of Patent:** **** Oct. 14, 2008**

(54) **SUPPORT CRADLE FOR A STAND**

1,278,628 A	9/1918	France	168/44
1,330,807 A	2/1920	Ilieff	
1,472,527 A	10/1923	Jones	
4,167,216 A	9/1979	Beaston	168/44
5,213,061 A	5/1993	Zito	119/101

(76) Inventor: **Kevin V. Keeler**, P.O. Box 8, Star, ID
(US) 83669

(**) Term: **14 Years**

* cited by examiner

(21) Appl. No.: **29/237,868**

Primary Examiner—Pamela J. Burgess

(22) Filed: **Sep. 6, 2005**

(74) *Attorney, Agent, or Firm*—Pedersen & Co., PLLC; Ken J. Pedersen; Barbara S. Pedersen

Related U.S. Application Data

(60) Continuation-in-part of application No. 29/206,654, filed on Jun. 1, 2004, now Pat. No. Des. 509,327, which is a division of application No. 29/176,414, filed on Feb. 19, 2003, now Pat. No. Des. 491,699, which is a continuation-in-part of application No. 10/008,681, filed on Dec. 4, 2001, now Pat. No. 6,640,905, which is a continuation-in-part of application No. 09/454,797, filed on Dec. 3, 1999, now Pat. No. 6,325,154.

(57) **CLAIM**

The ornamental design for a support cradle for a stand, as shown and described.

(51) **LOC (8) Cl.** **30-04**

(52) **U.S. Cl.** **D30/143**

(58) **Field of Classification Search** D30/143,
D30/146; 168/44; 119/816, 755-757, 788,
119/712, 752

DESCRIPTION

FIG. 1 is a perspective view of a support cradle for a stand showing my new design;

FIG. 2 is a front view thereof;

FIG. 3 is a right side view thereof;

FIG. 4 is a rear side view thereof;

FIG. 5 is a left side view thereof;

FIG. 6 is a bottom plan view thereof;

FIG. 7 is a top plan view thereof;

FIG. 8 is another perspective view thereof;

FIG. 9 is a front view thereof;

FIG. 10 is a right side view thereof;

FIG. 11 is a left side view thereof;

FIG. 12 is a bottom plan view thereof; and,

FIG. 13 is a top plan view thereof.

The broken lines shown in the drawings are for illustrative purposes only and form no part of the claimed design.

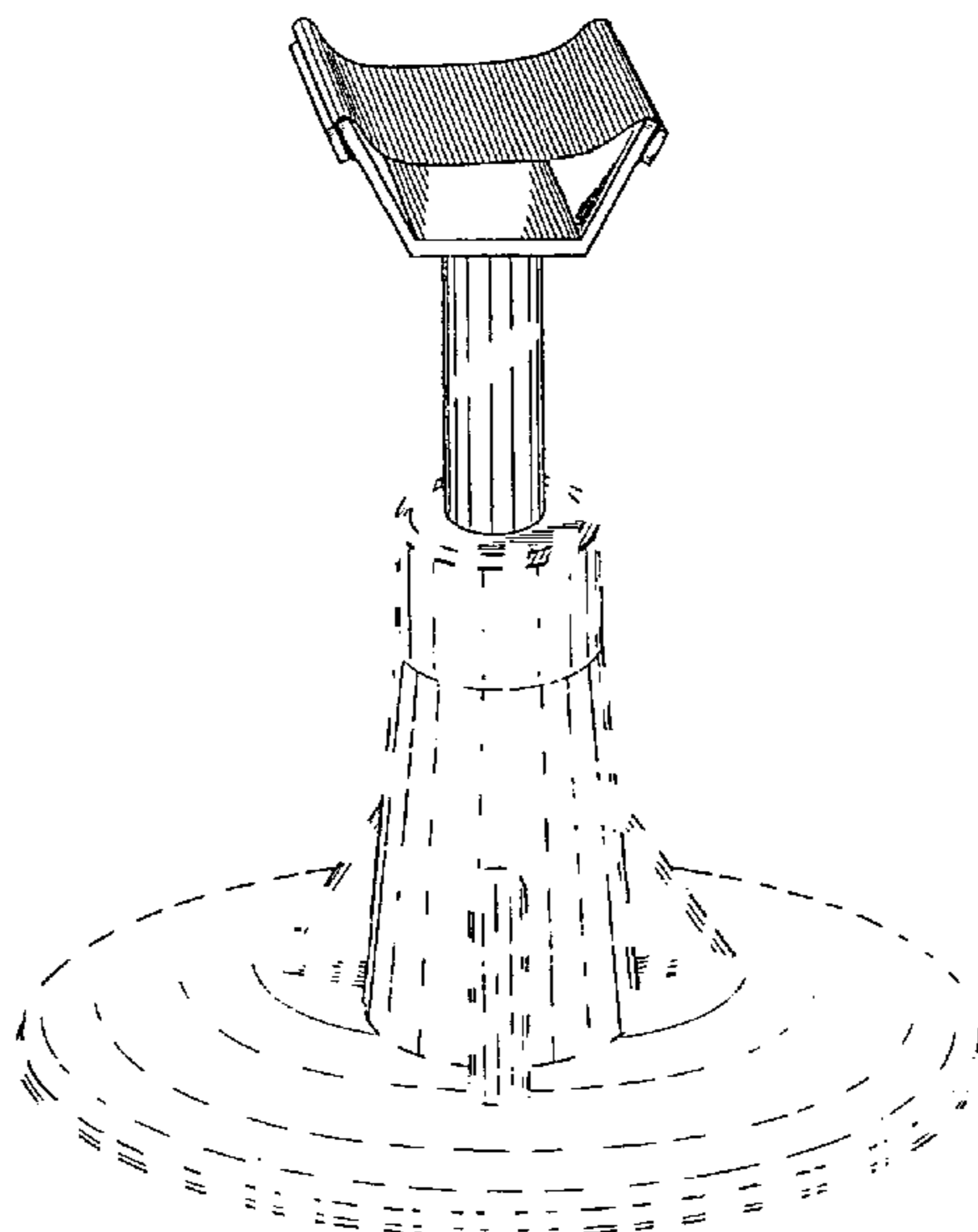
See application file for complete search history.

(56) **References Cited**

U.S. PATENT DOCUMENTS

11,624 A *	8/1854	Warlick	168/44
86,455 A	2/1869	Rogers et al.	168/44
89,379 A	4/1869	Blackburn	168/44
286,389 A	10/1883	Coffey	
331,979 A *	12/1885	Lear	168/44
427,012 A	4/1890	Reed	
457,345 A *	8/1891	Fox	168/44
569,819 A	10/1896	Davis et al.	
1,198,467 A	9/1916	Maltby	168/44

1 Claim, 13 Drawing Sheets



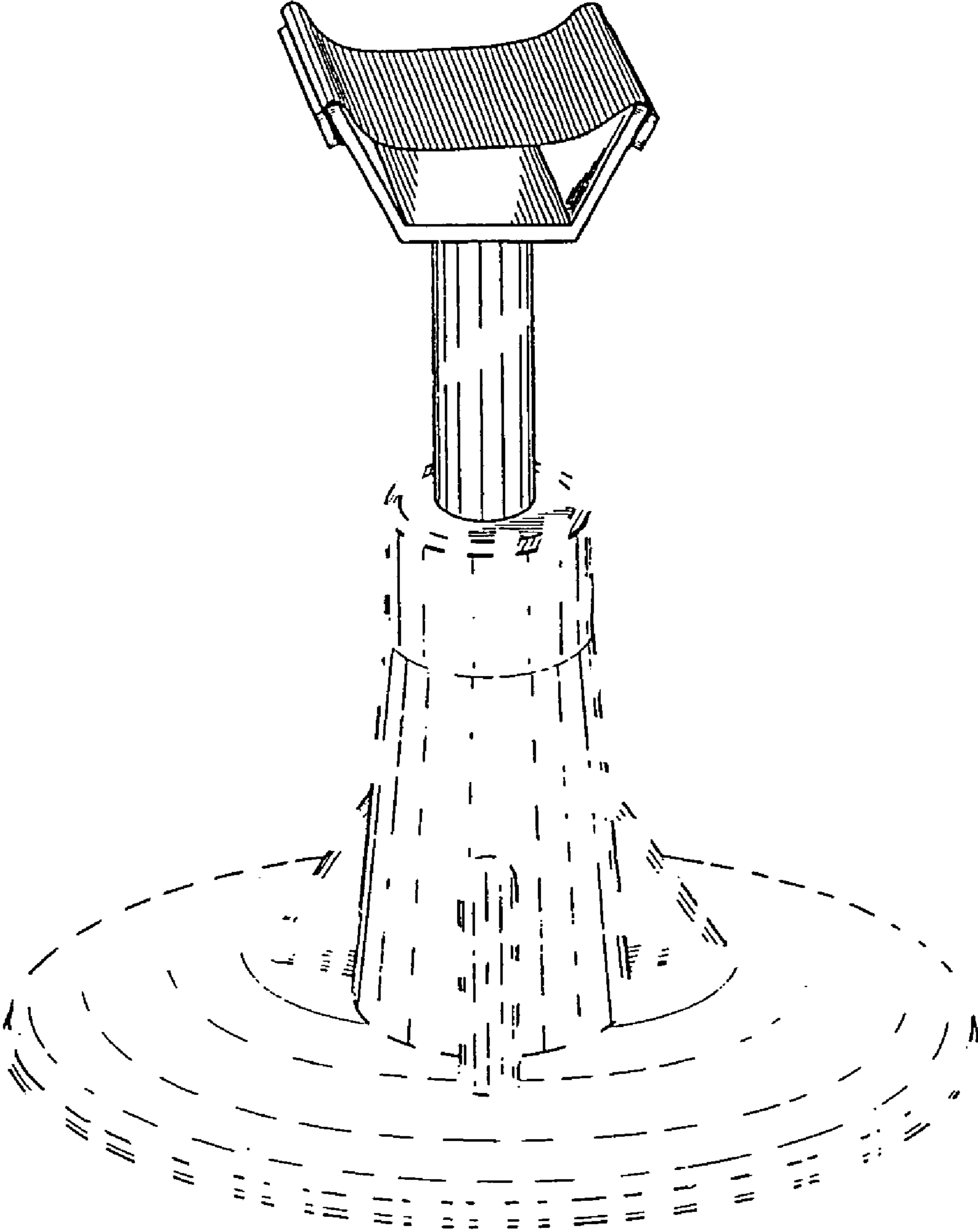


FIG. 1

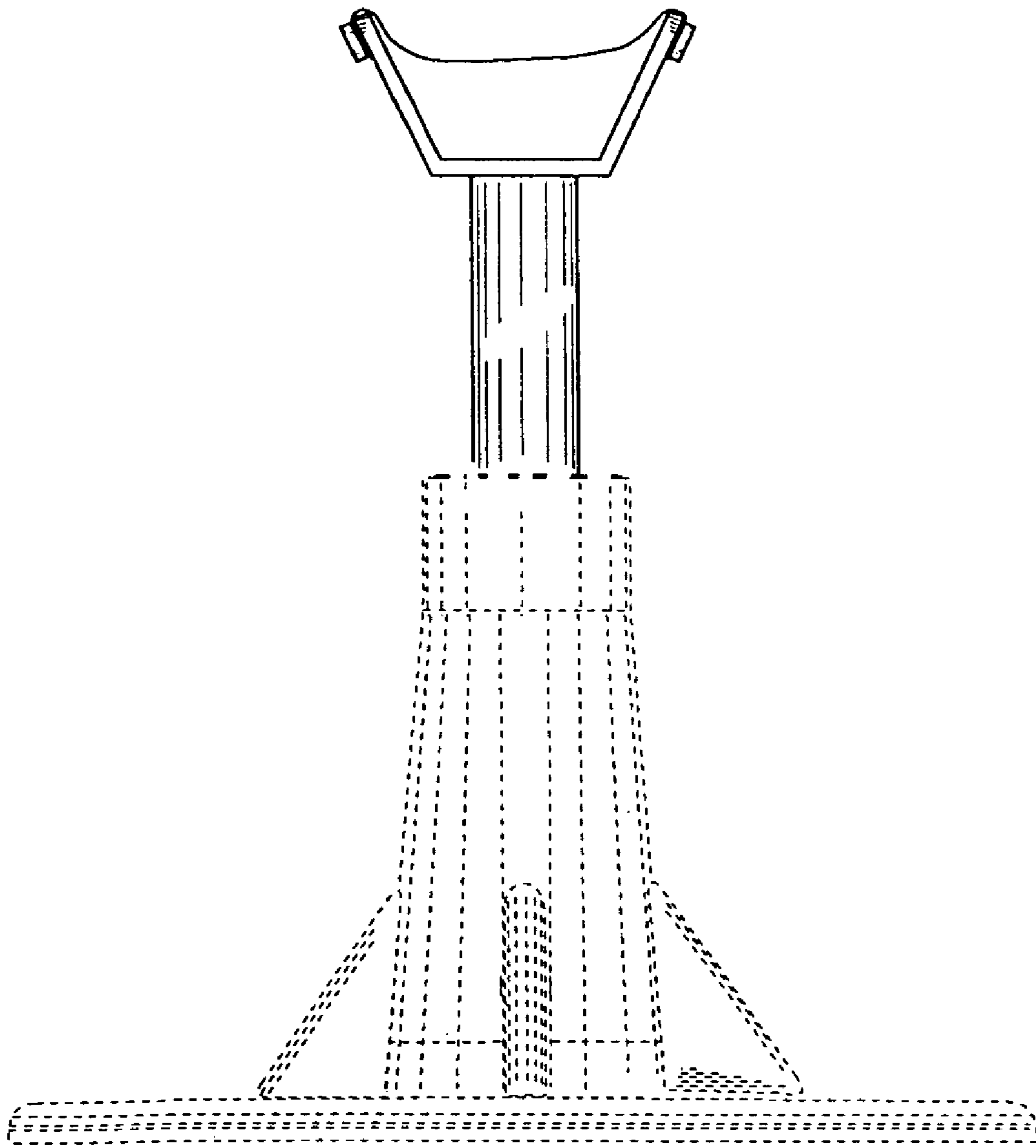


FIG. 2

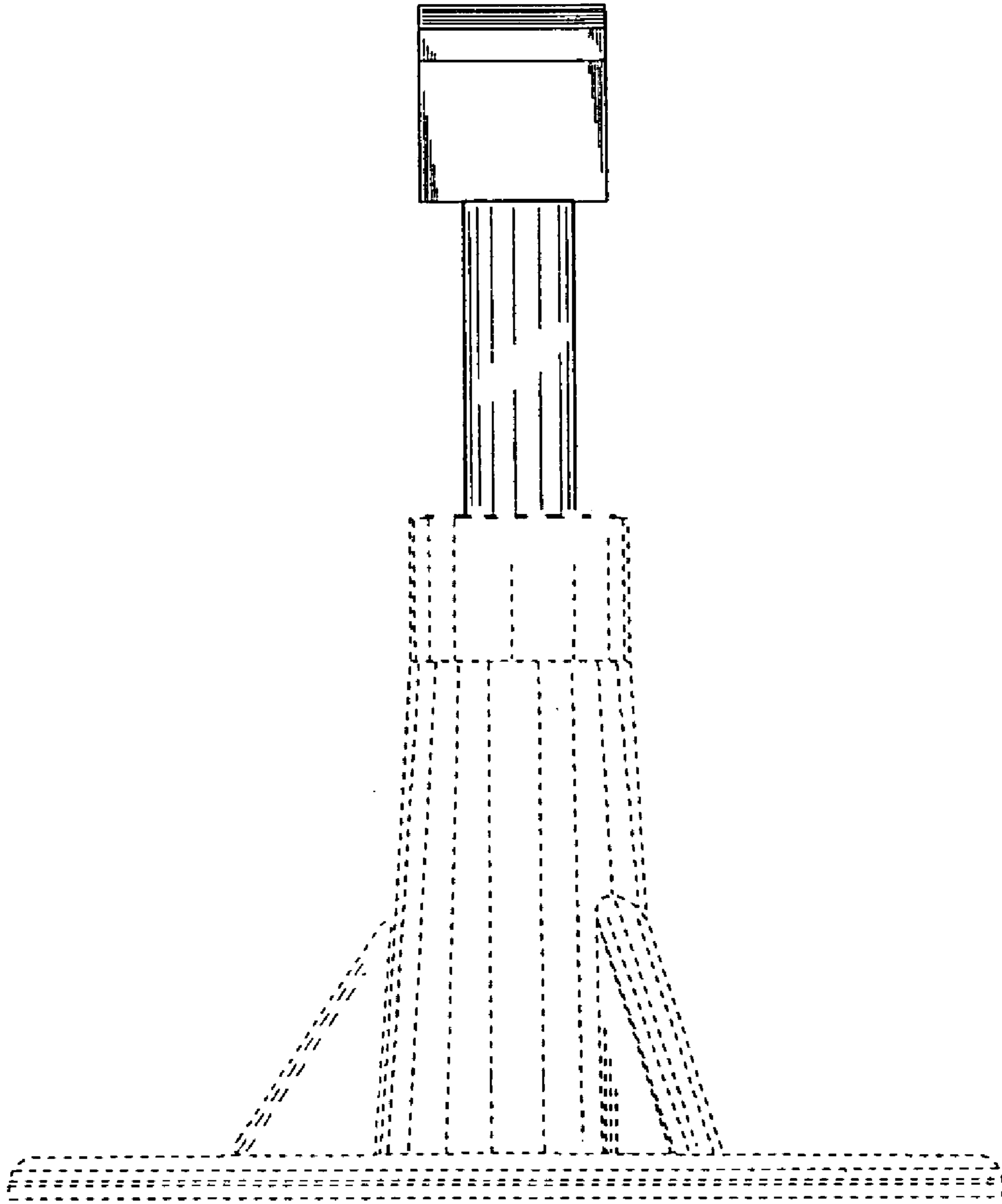


FIG. 3

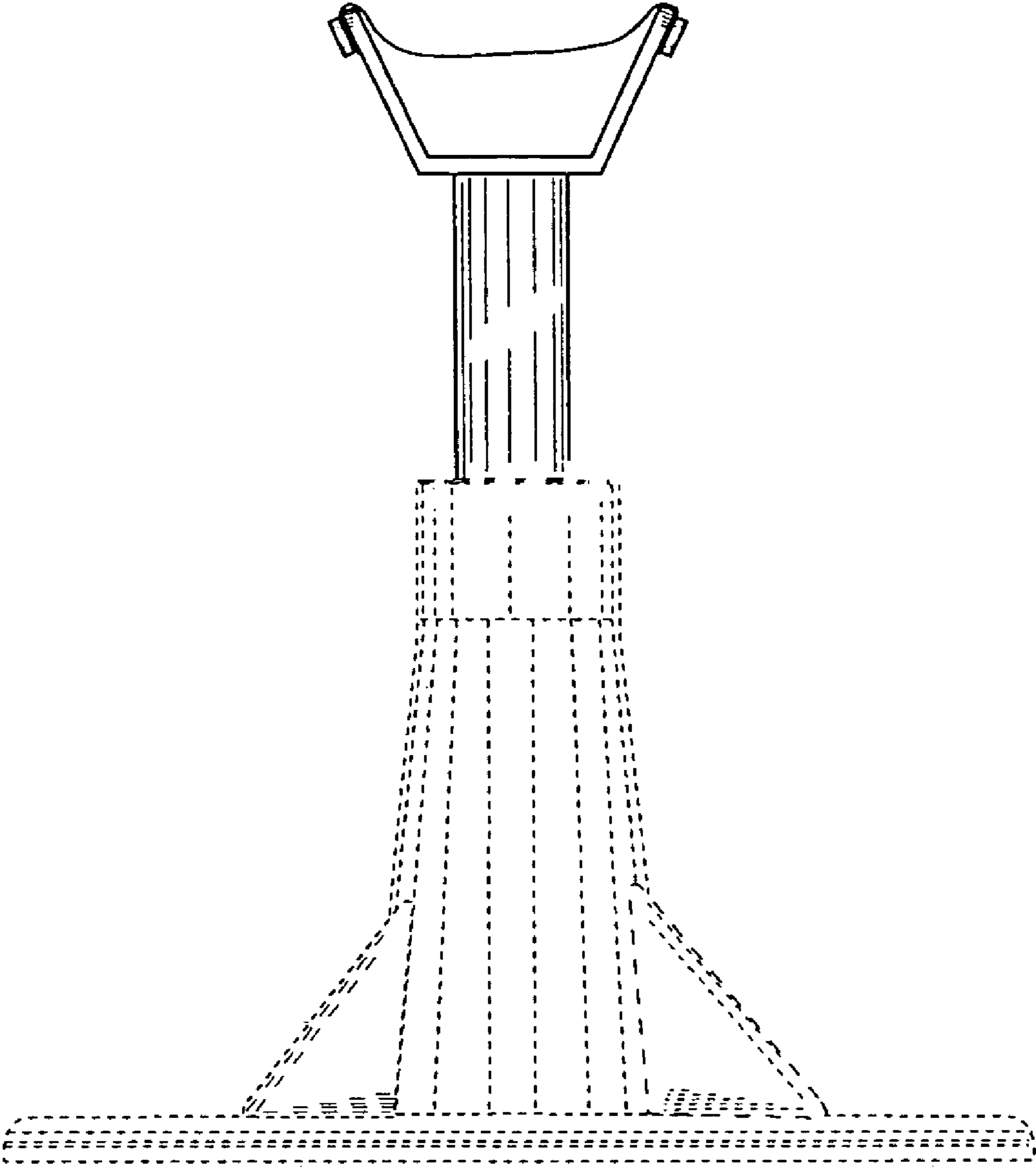


FIG. 4

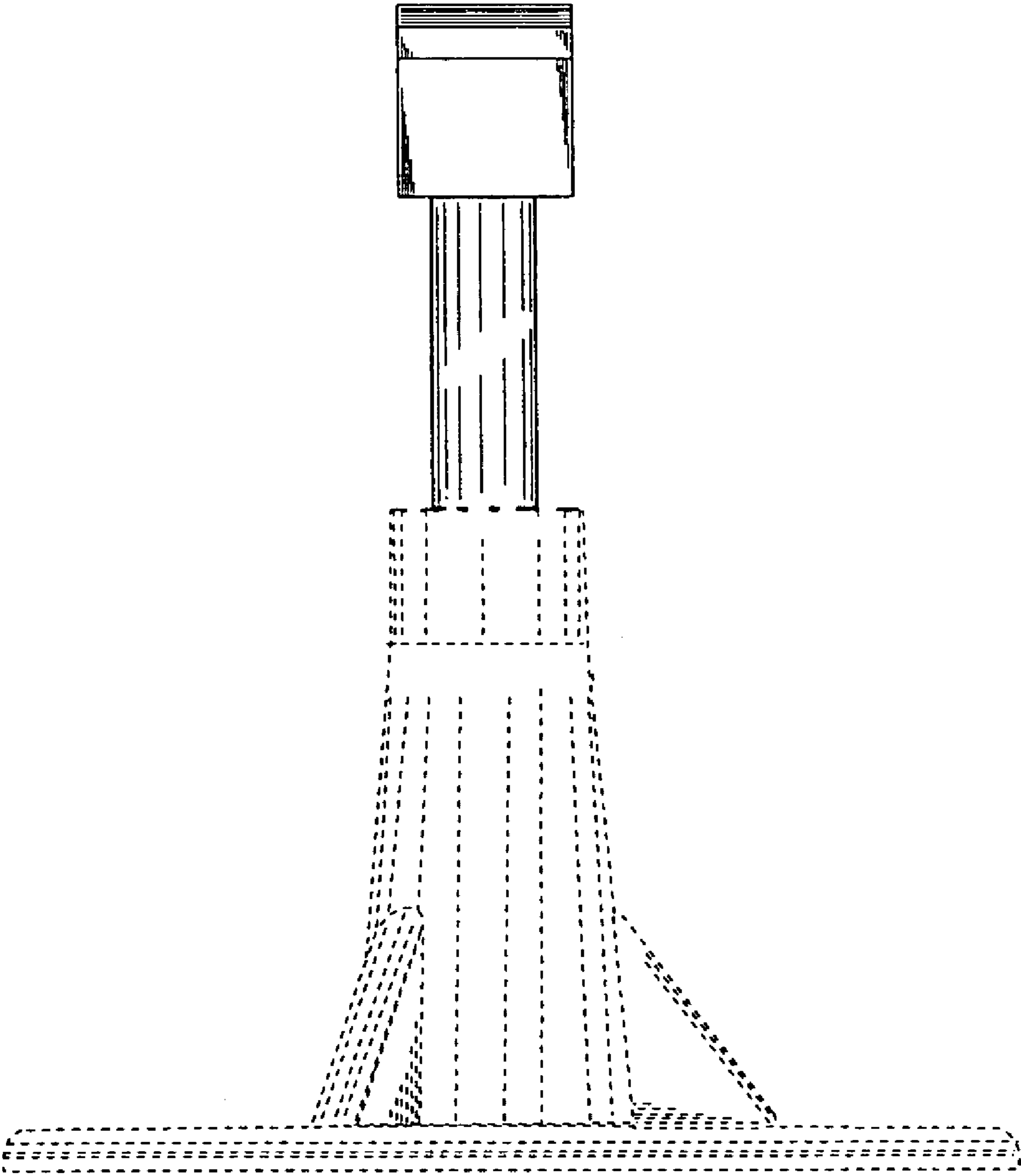


FIG. 5

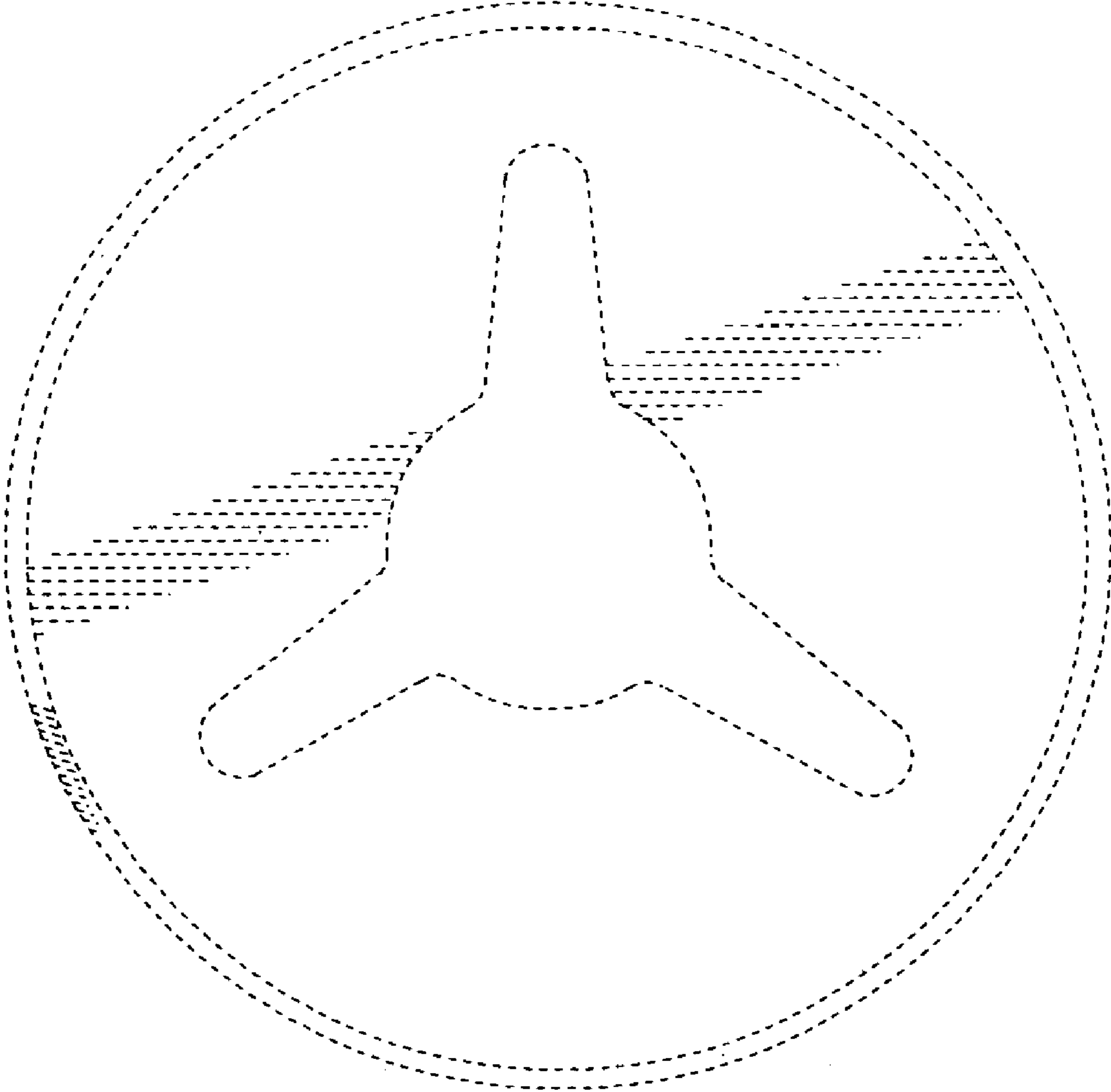


FIG. 6

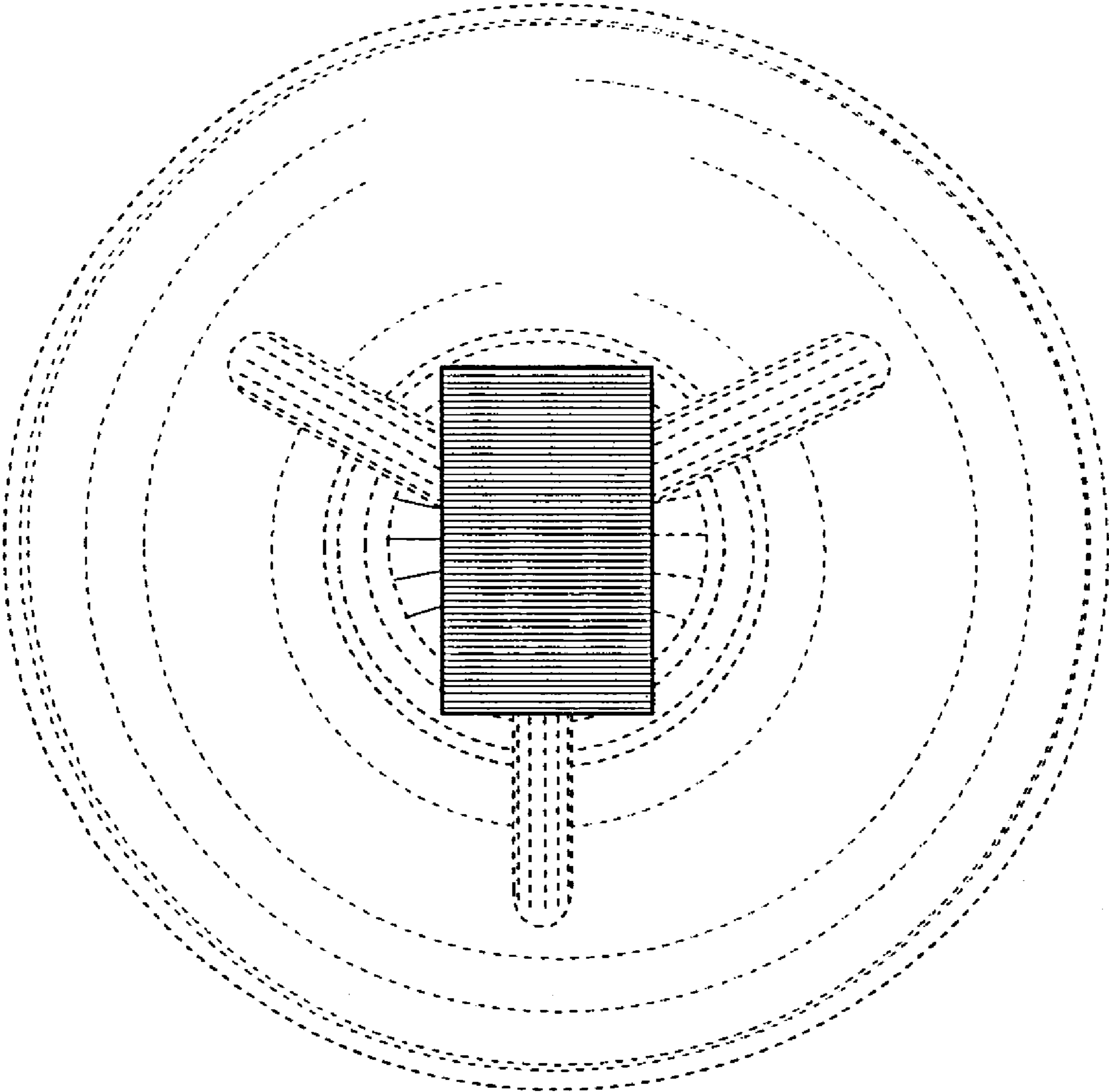


FIG. 7

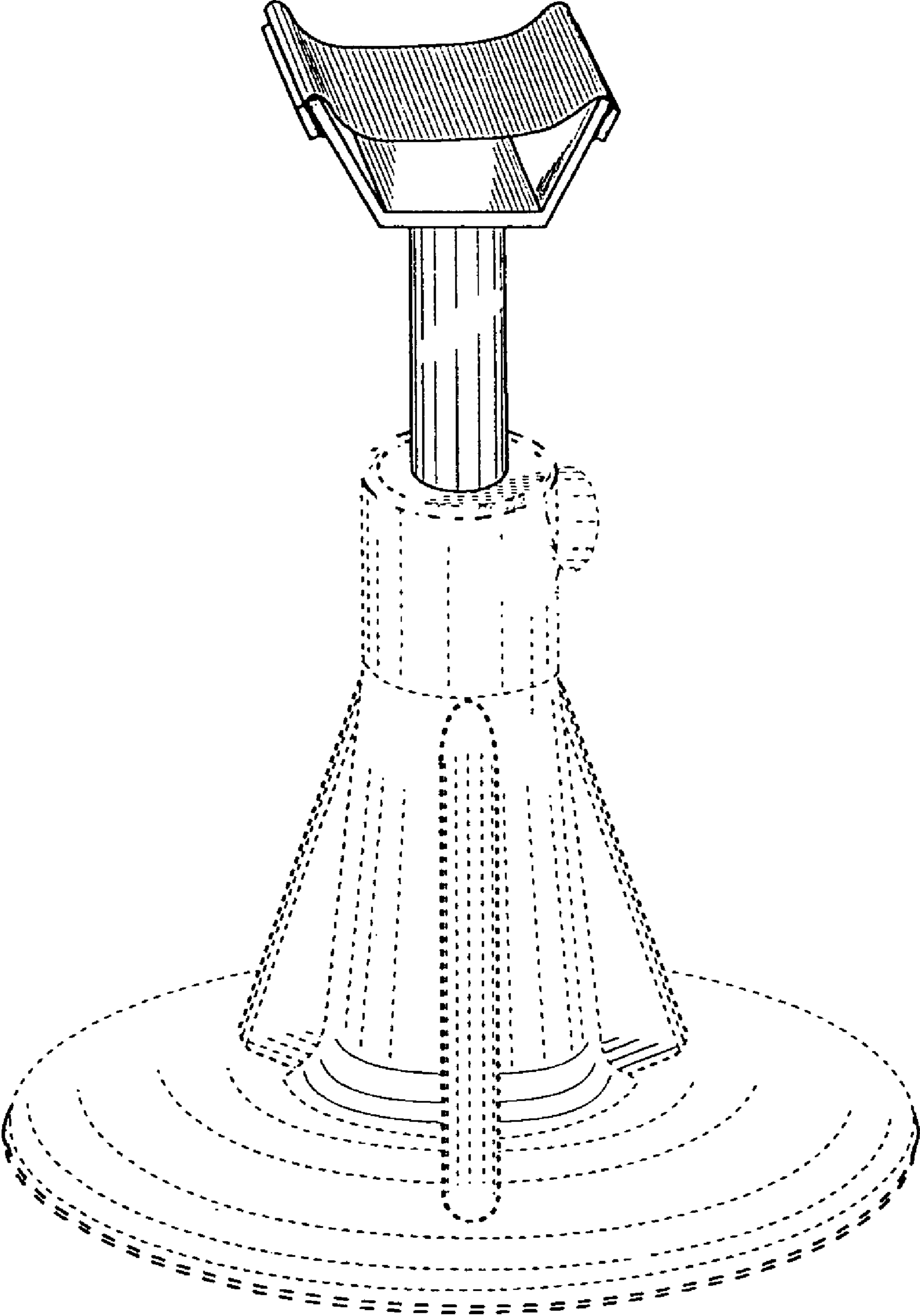


FIG. 8

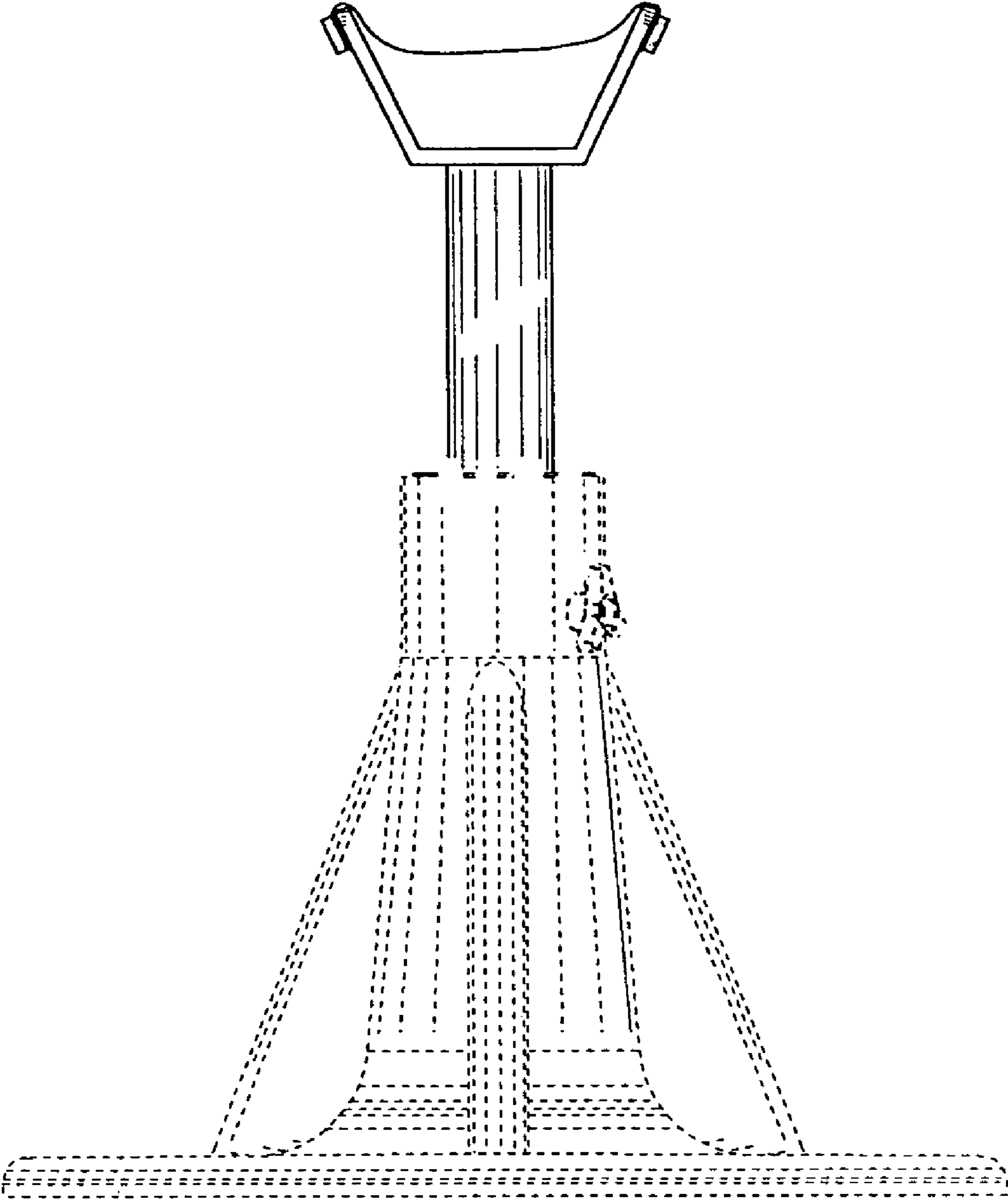


FIG. 9

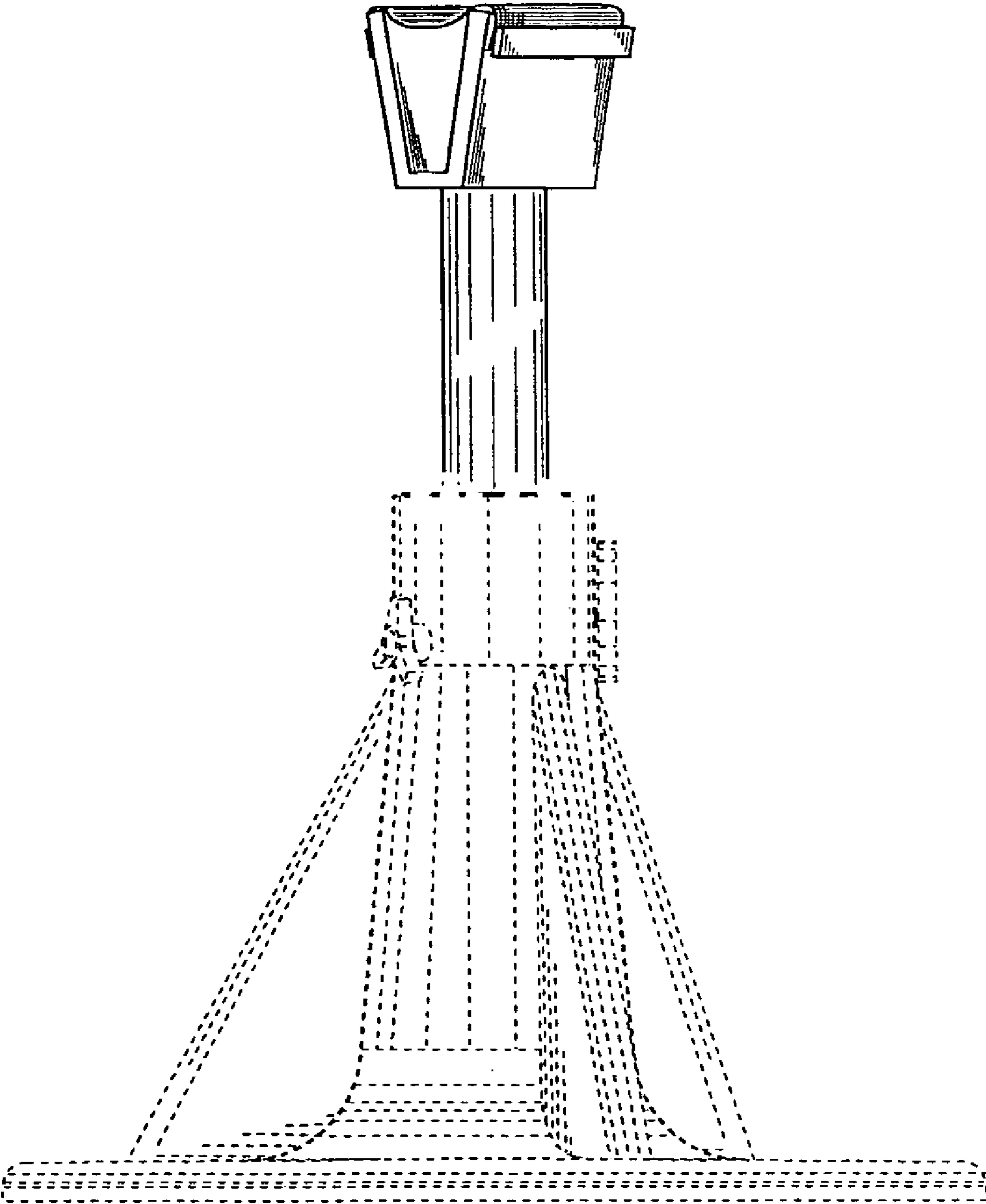


FIG. 10

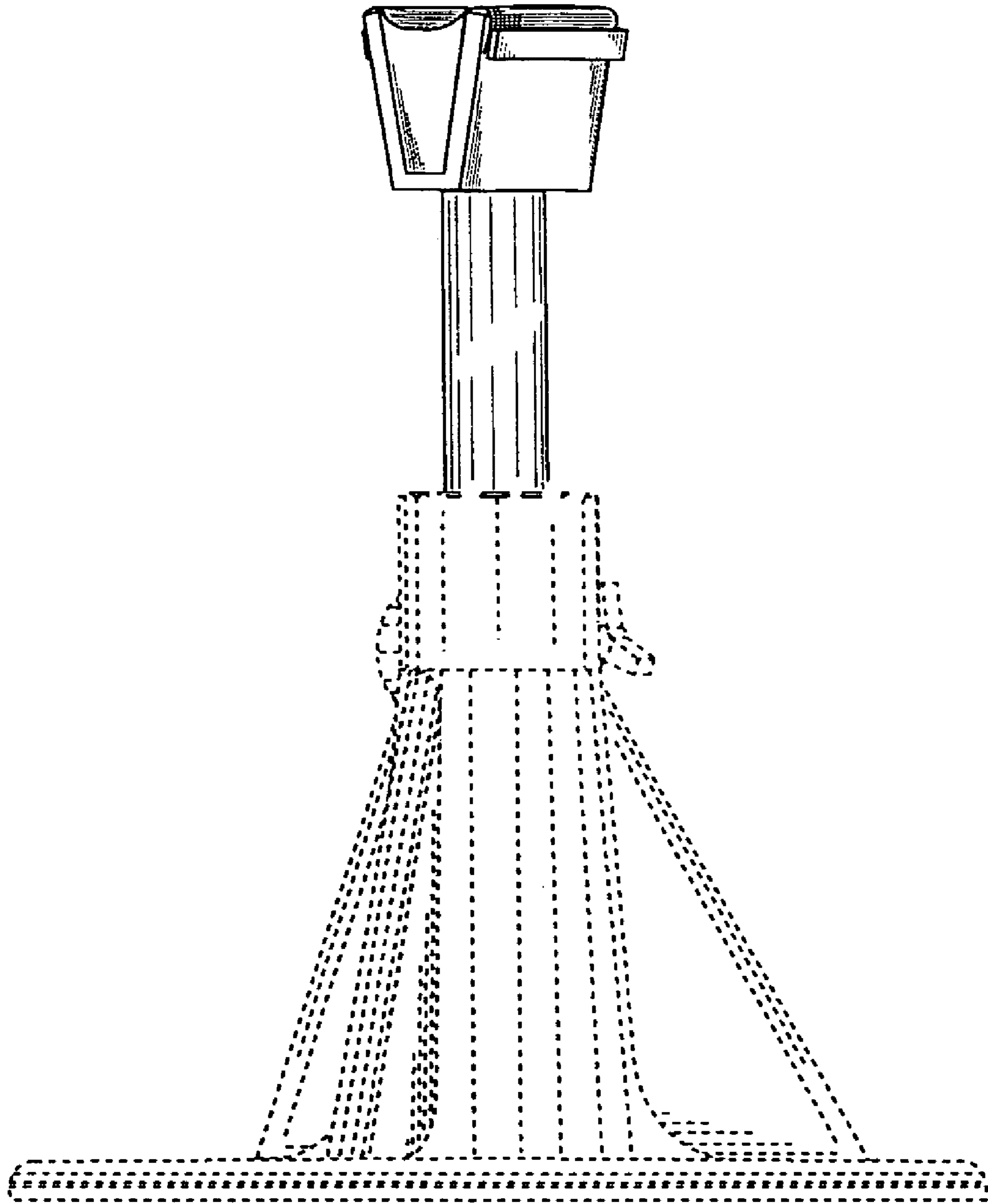


FIG. 11

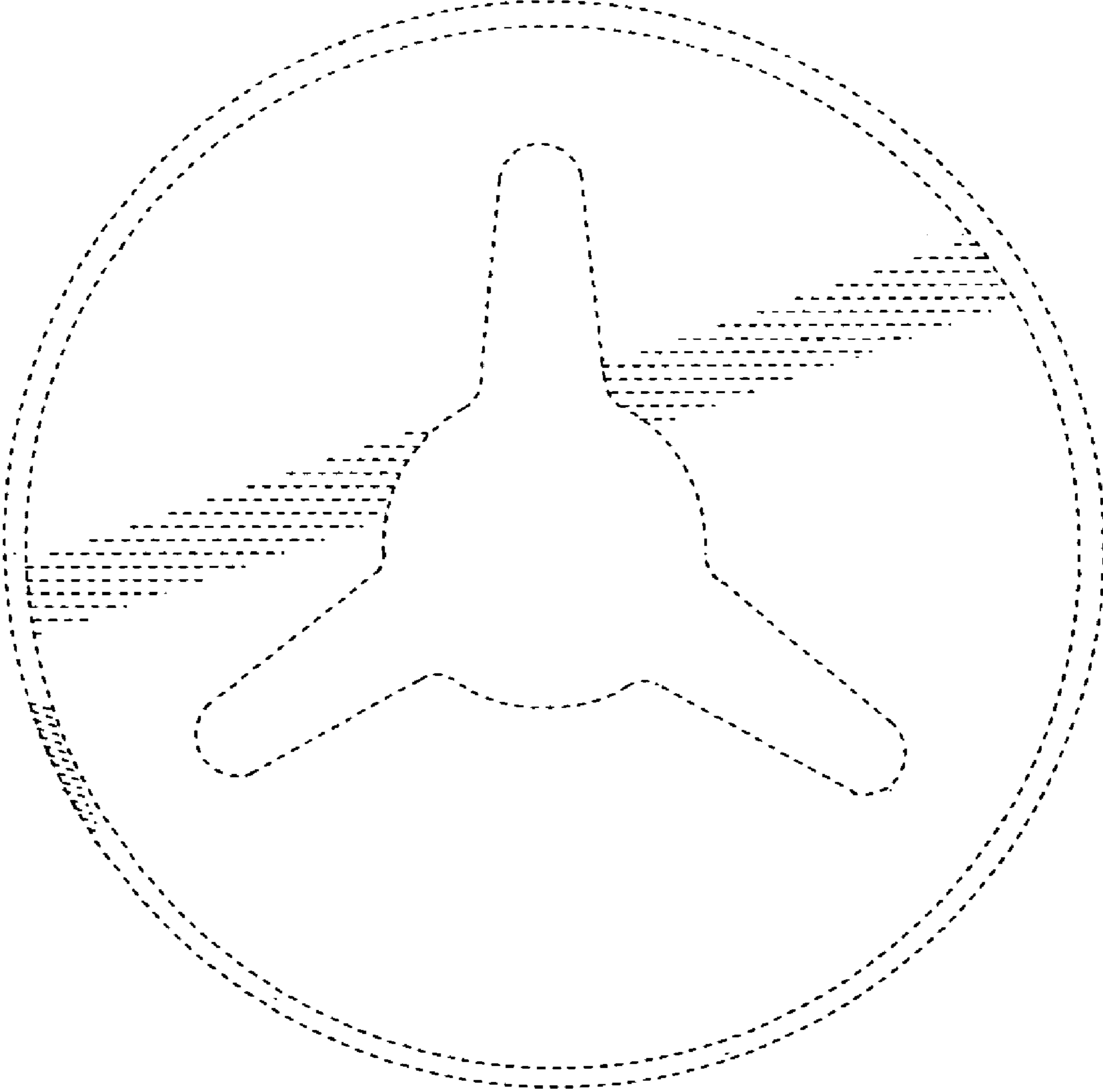


FIG. 12

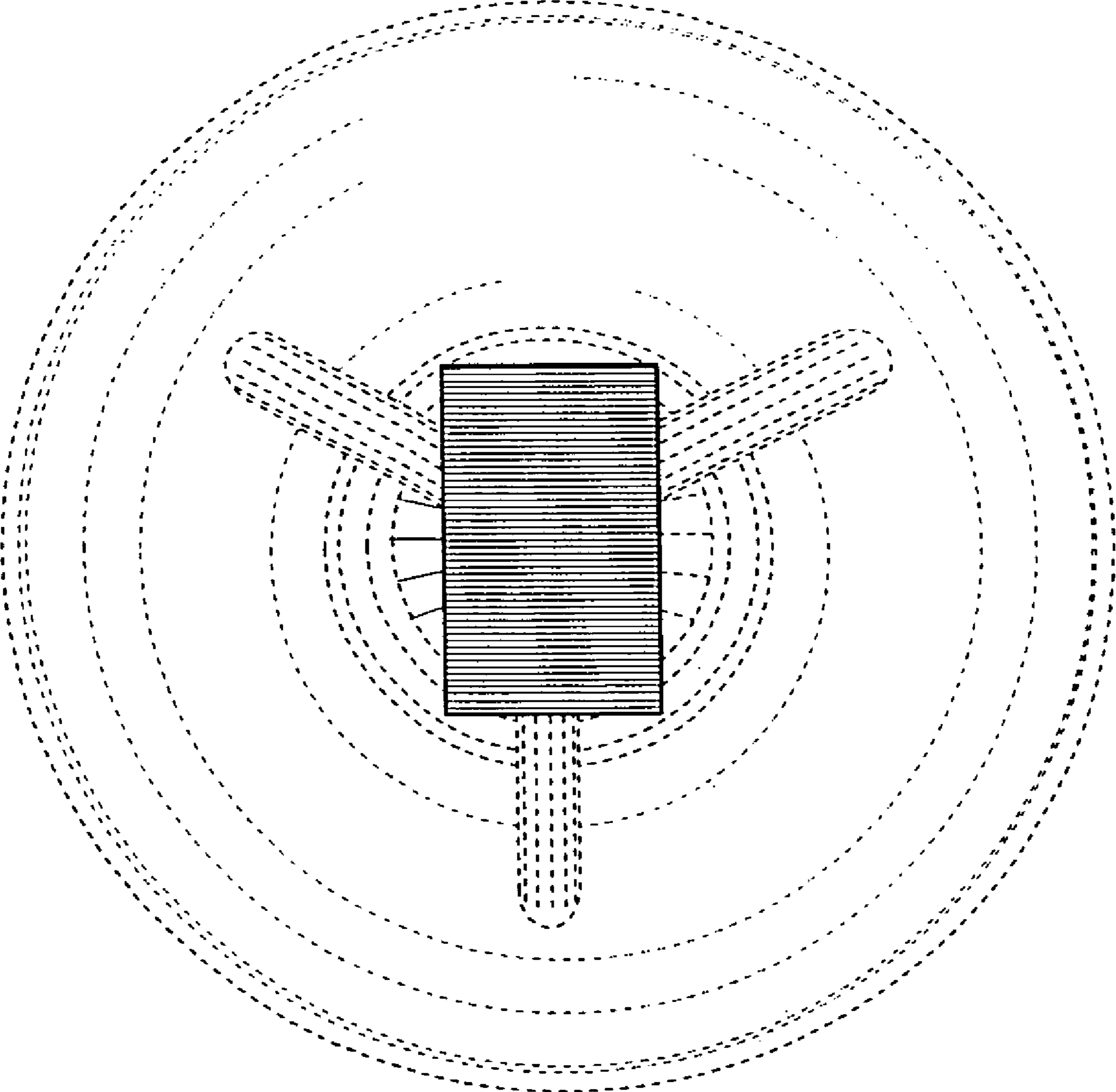


FIG. 13