



US00D578708S

(12) **United States Design Patent**
Ringart et al.

(10) **Patent No.:** **US D578,708 S**

(45) **Date of Patent:** **** Oct. 14, 2008**

(54) **HAIR TRIMMING DEVICE WITH SAFETY
BLADE**

(75) Inventors: **Yigal Natan Ringart**, Givat-Ela (IL);
Jacky Gamliel, Beverly Hills, CA (US);
George W Schaeffer, Beverly Hills, CA
(US)

(73) Assignee: **Carmel International Corporation**,
Beverly Hills, CA (US)

(**) Term: **14 Years**

(21) Appl. No.: **29/301,901**

(22) Filed: **Mar. 20, 2008**

(51) **LOC (8) Cl.** **28-03**

(52) **U.S. Cl.** **D28/45**

(58) **Field of Classification Search** D28/45-48;
30/30, 32, 34.05, 34.1-34.2, 53-55
See application file for complete search history.

(56) **References Cited**

U.S. PATENT DOCUMENTS

5,009,003	A *	4/1991	Grange	30/30
5,357,680	A	10/1994	Monistere		
6,092,288	A *	7/2000	Adachi	30/53
D444,915	S *	7/2001	Bianco	D28/45

D465,066	S *	10/2002	Ido	D28/45
D532,157	S *	11/2006	Lee	D28/45
D541,985	S *	5/2007	Pena	D28/45
D541,986	S *	5/2007	Drivas	D28/45
D552,794	S *	10/2007	Klein	D28/45

* cited by examiner

Primary Examiner—Jennifer Rivard

(74) *Attorney, Agent, or Firm*—Blakely, Sokoloff, Taylor &
Zafman

(57) **CLAIM**

The ornamental design for a hair trimming device with safety
blade, as shown and described.

DESCRIPTION

FIG. 1 is a side elevation view of a razor device.

FIG. 2 is a bottom plan view thereof.

FIG. 3 is a side elevation view of the razor device opposite to
the side shown in FIG. 1.

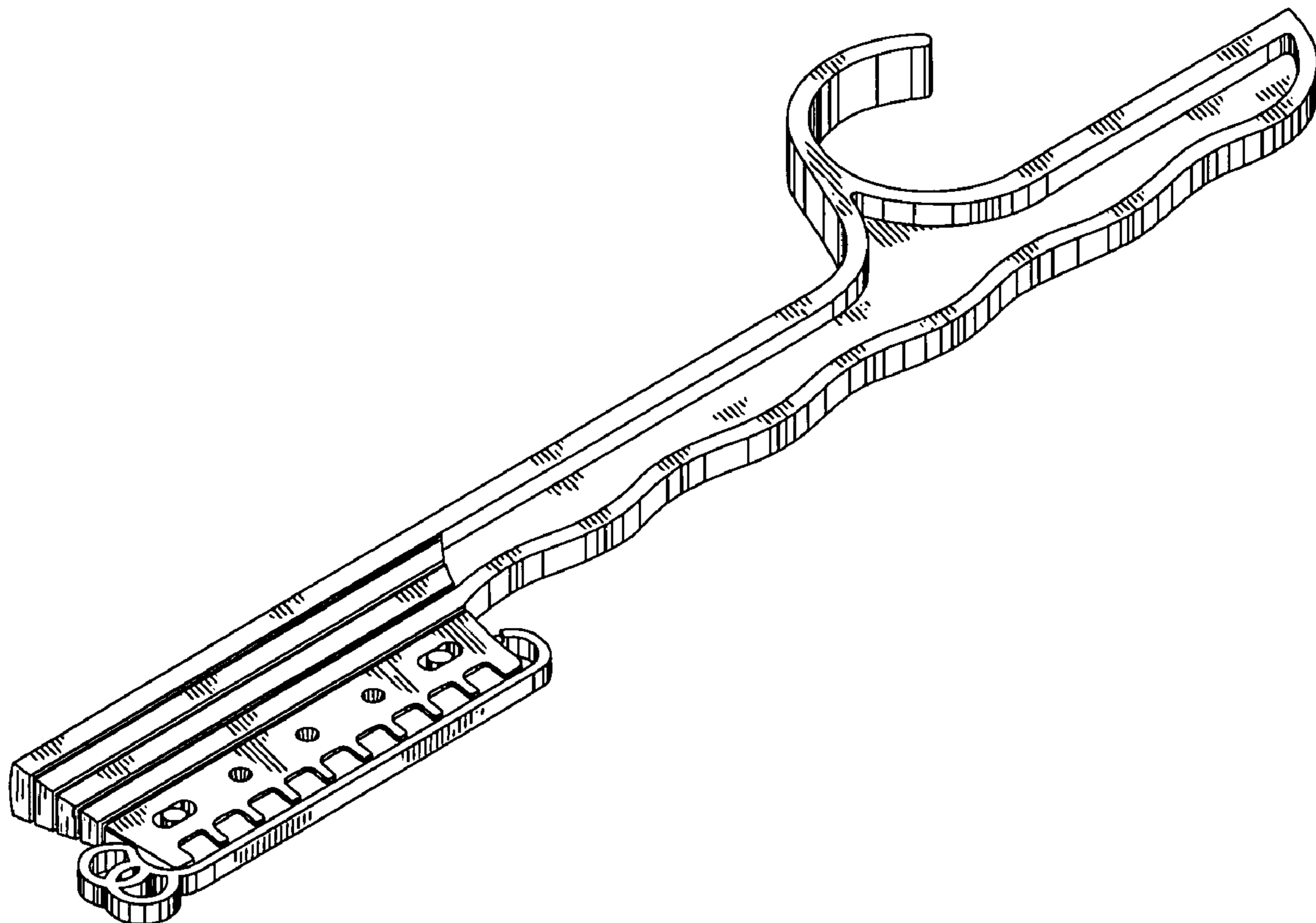
FIG. 4 is a top plan view thereof.

FIG. 5 is a front elevation view thereof.

FIG. 6 is a rear elevation view thereof; and,

FIG. 7 is a front bottom perspective view thereof.

1 Claim, 4 Drawing Sheets



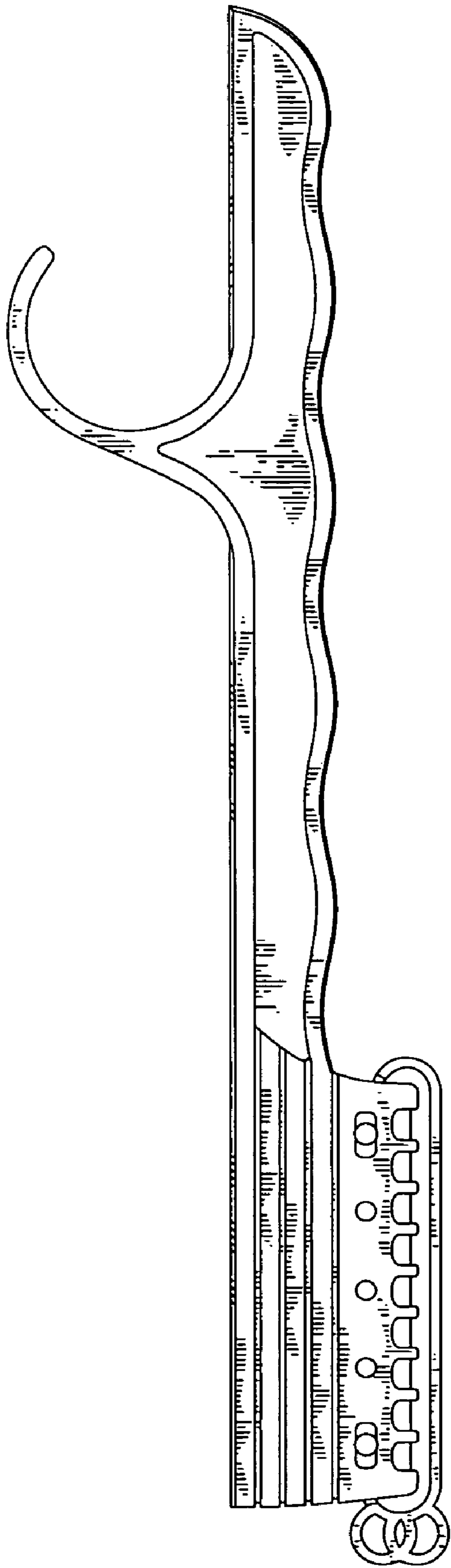


FIG. 1

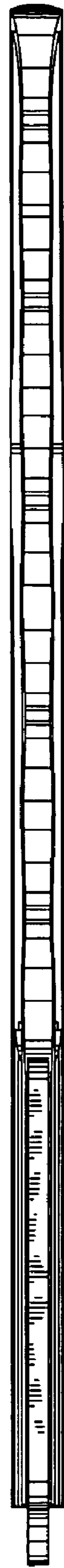


FIG. 2

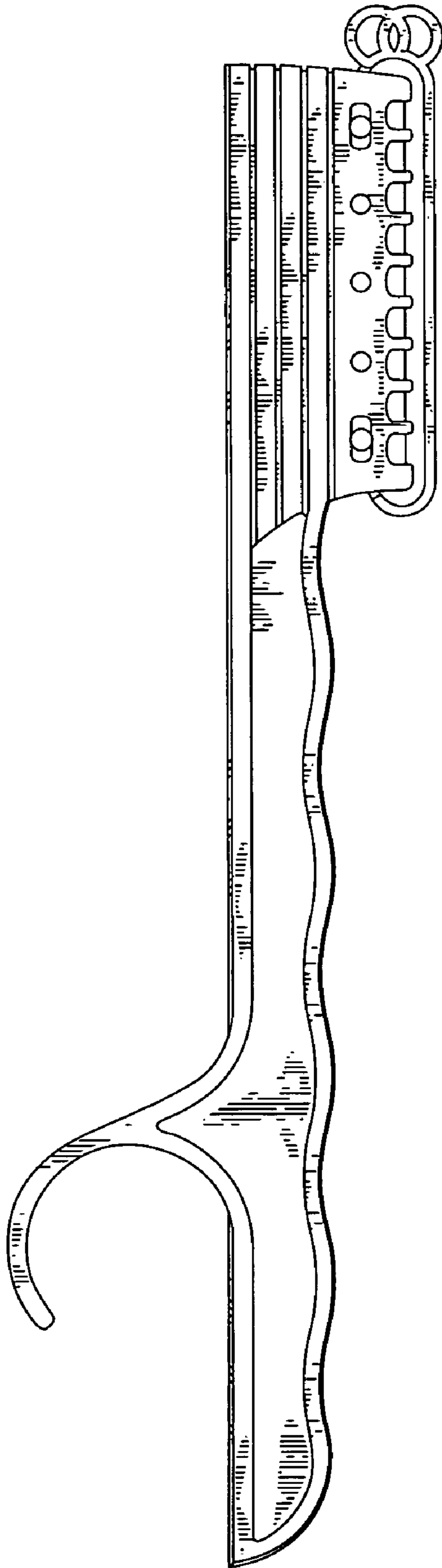


FIG. 3



FIG. 4



FIG. 5



FIG. 6

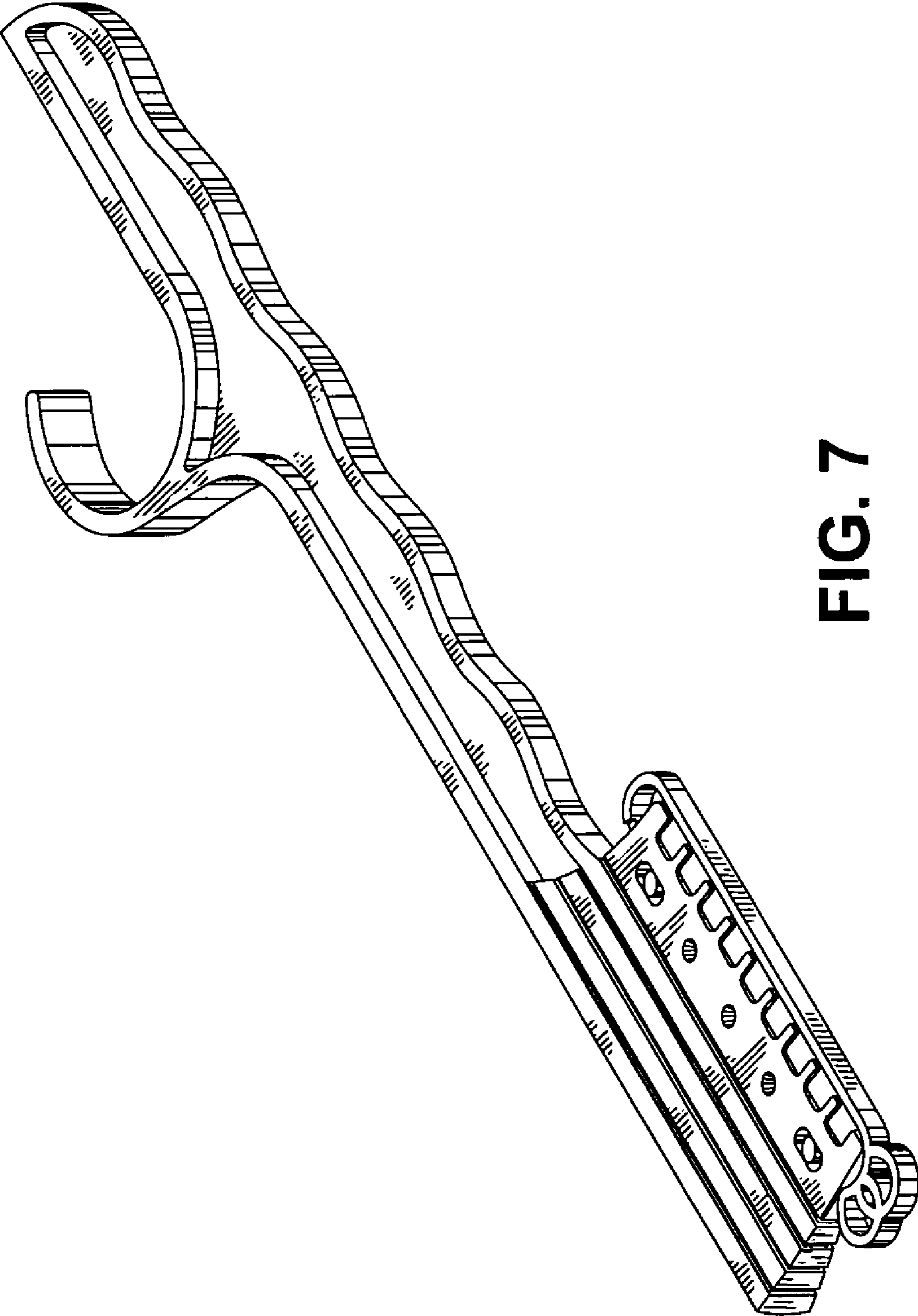


FIG. 7