



US00D578703S

(12) **United States Design Patent**
Levine

(10) **Patent No.:** **US D578,703 S**
(45) **Date of Patent:** **** Oct. 14, 2008**

(54) **LIGHTING DEVICE**

(76) Inventor: **Jonathan E. Levine**, 419 Park Ave.
South, Suite 505, New York, NY (US)
10016

(**) Term: **14 Years**

(21) Appl. No.: **29/281,045**

(22) Filed: **Jun. 13, 2007**

(51) **LOC (8) Cl.** **26-99**

(52) **U.S. Cl.** **D26/113**

(58) **Field of Classification Search** D26/123,
D26/28, 122, 120, 118, 147, 142, 113, 24,
D26/25, 72, 74, 75, 76, 77, 85, 86, 119, 121,
D26/124, 128, 129, 132, 133, 134, 135, 136,
D26/138, 139, 152, 155; 362/612, 623, 566,
362/565, 507, 517, 147, 219, 247, 252, 297,
362/346, 364, 433, 441, 455, 457, 800, 807,
362/410

See application file for complete search history.

(56) **References Cited**

U.S. PATENT DOCUMENTS

D104,233	S	*	4/1937	Arenberg	D26/120
2,790,894	A	*	4/1957	Zingone	362/429
D222,500	S		10/1971	Gugelot		
D240,320	S		6/1976	Anderson		
D264,254	S	*	5/1982	Heritage	D26/74
D275,062	S	*	8/1984	Sorko-Ram et al.	D6/300
4,515,570	A		5/1985	Beltran		
D293,940	S	*	1/1988	Lasker	D26/65
4,751,627	A	*	6/1988	Usher	362/421
D299,549	S	*	1/1989	Macaluso	D26/29
D312,136	S	*	11/1990	Miletich et al.	D26/24
D320,863	S	*	10/1991	Macaluso	D26/29
D346,459	S		4/1994	King		
D371,857	S		7/1996	Gismondi		
5,769,529	A		6/1998	Weinstock et al.		
5,871,274	A		2/1999	Lee et al.		
D412,040	S		7/1999	Hudak et al.		
5,934,787	A		8/1999	Sharma		
6,146,001	A		11/2000	Cwiakala		

D440,673	S	*	4/2001	Handsaker	D26/24
D443,713	S	*	6/2001	Benensohn	D26/72
D446,321	S		8/2001	Lin		
6,390,652	B1		5/2002	Echito		
6,566,824	B2	*	5/2003	Panagotacos et al.	315/291
6,588,920	B2		7/2003	Agro		
6,641,283	B1		11/2003	Bohler		

(Continued)

OTHER PUBLICATIONS

U.S. Appl. No. 11/954,225, filed Dec. 12, 2007, Levine.

(Continued)

Primary Examiner—Freda S. Nunn
Assistant Examiner—Kevin K Rudzinski
(74) *Attorney, Agent, or Firm*—Theodore W. Baker

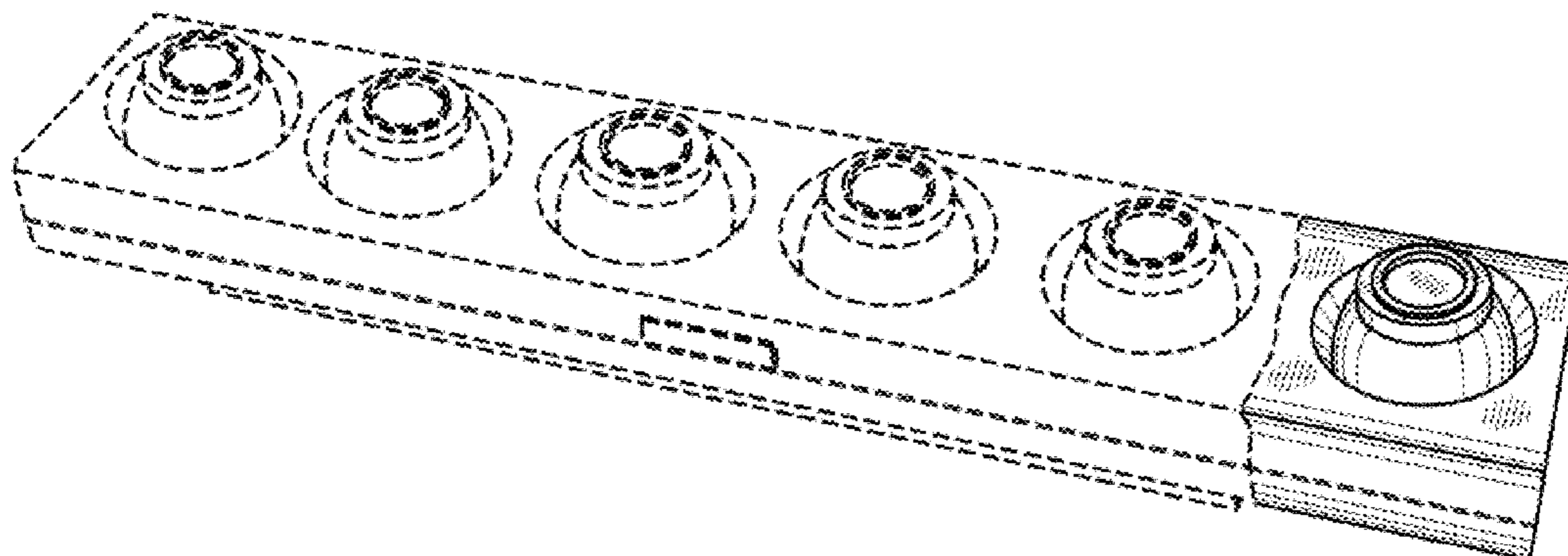
(57) **CLAIM**

I claim the ornamental design for a lighting device, as shown and described.

DESCRIPTION

FIG. 1 is a perspective view of a lighting device, as viewed from the top and one side, of the present invention.
FIG. 2 is an end elevation view of the lighting device of FIG. 1.
FIG. 3 is a front elevation view of the lighting device of FIG. 1.
FIG. 4 is a back elevation view of the lighting device of FIG. 1.
FIG. 5 is a top plan view of the lighting device of FIG. 1; and, FIG. 6 is a bottom plan view of the lighting device of FIG. 1.
The details shown in broken lines are for illustrative purposes only and form no part of the claimed design.

1 Claim, 2 Drawing Sheets



US D578,703 S

Page 2

U.S. PATENT DOCUMENTS

D484,270 S	12/2003	Yiu	
D485,390 S	1/2004	Stancik et al.	
6,726,502 B1 *	4/2004	Hayes	439/422
D490,925 S *	6/2004	Wilmotte	D26/63
6,877,875 B2	4/2005	Yu et al.	
D506,560 S *	6/2005	Oas	D26/39
D507,373 S *	7/2005	Kim, II	D26/80
D509,016 S	8/2005	Benghozi	
D509,617 S	9/2005	Benghozi	
6,979,107 B1	12/2005	Benensohn	
D535,262 S *	1/2007	Saito et al.	D13/180
D535,740 S	1/2007	Brown et al.	
D544,117 S	6/2007	Coushaine	
D544,618 S	6/2007	Coushaine	
D544,988 S	6/2007	Benensohn	
D551,795 S	9/2007	Compton et al.	
D561,925 S	2/2008	Levine	
D563,013 S	2/2008	Levine	
D563,014 S	2/2008	Levine	
D563,582 S	3/2008	Levine	
D565,232 S	3/2008	Butler	
D567,987 S	4/2008	Khubani	
2006/0092637 A1 *	5/2006	Yeh	362/249
2006/0250789 A1	11/2006	Coushaine	
2007/0070645 A1	3/2007	Coushaine et al.	

OTHER PUBLICATIONS

U.S. Appl. No. 29/298,708, filed Dec. 12, 2007, Levine.

* cited by examiner

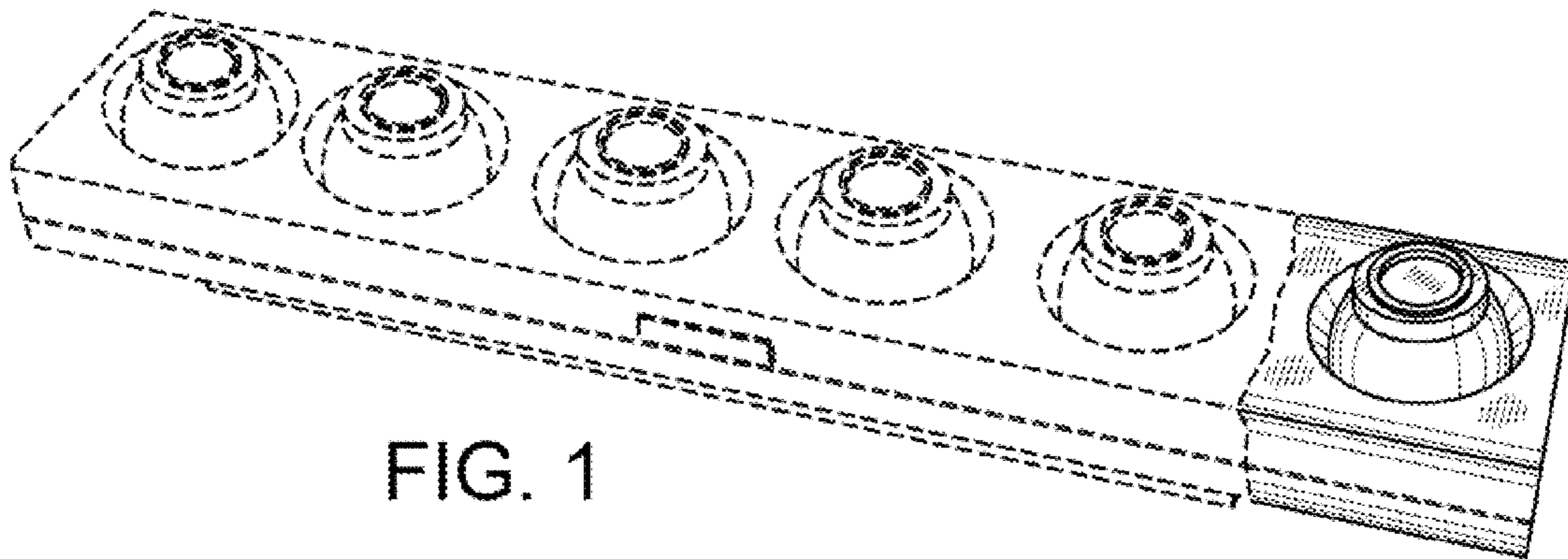


FIG. 1

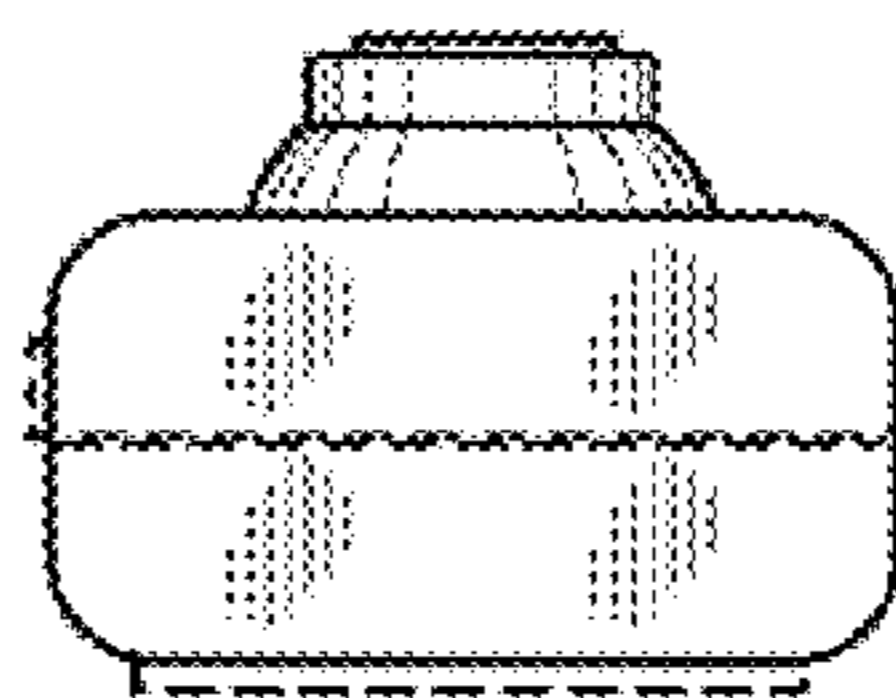


FIG. 2

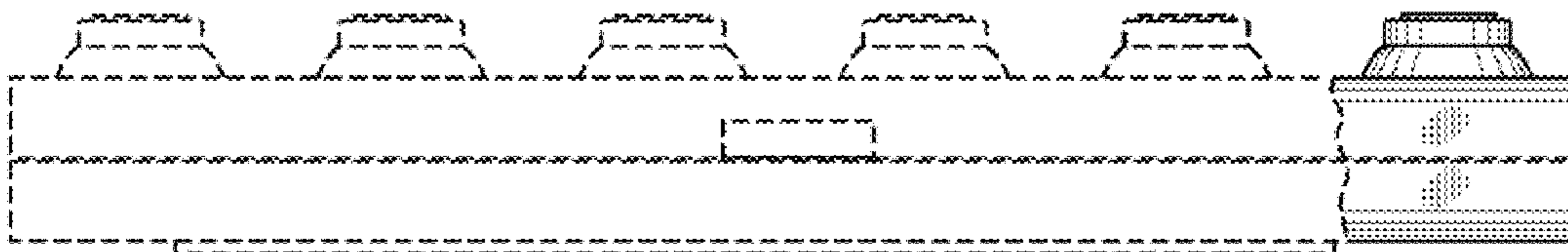


FIG. 3

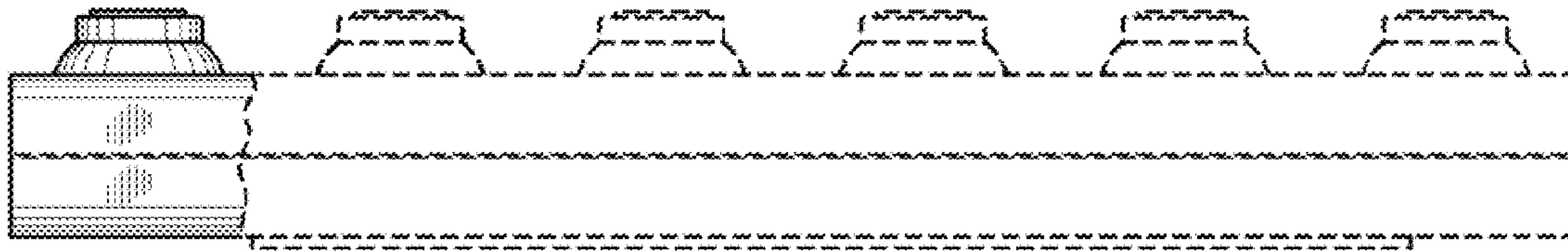


FIG. 4

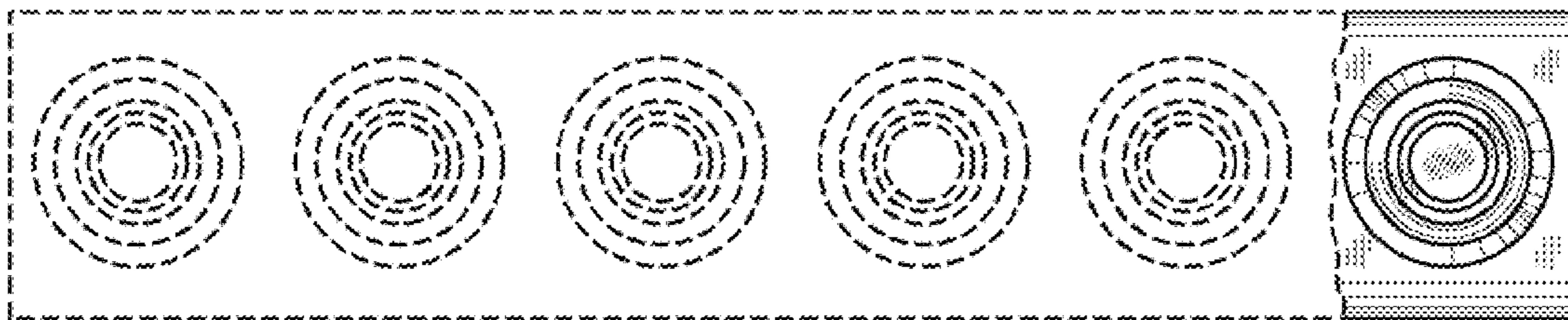


FIG. 5

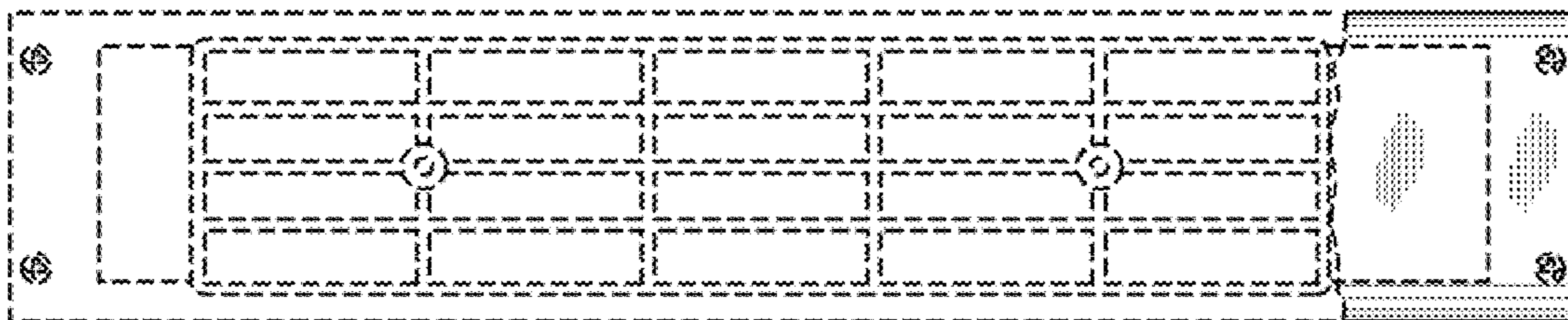


FIG. 6