



US00D578702S

(12) **United States Design Patent**  
**Campagna**

(10) **Patent No.:** **US D578,702 S**

(45) **Date of Patent:** **\*\* Oct. 14, 2008**

(54) **LIGHT FIXTURE**

D562,491 S \* 2/2008 DiCola ..... D26/85  
D568,524 S \* 5/2008 Sandell ..... D26/85

(75) Inventor: **Cary J. Campagna**, Portage, MI (US)

\* cited by examiner

(73) Assignee: **Command Electronics, Inc.**,  
Schoolcraft, MI (US)

*Primary Examiner*—Clare E Heflin

(\*\*) Term: **14 Years**

(74) *Attorney, Agent, or Firm*—Flynn, Thiel, Boutell & Tanis,  
P.C.

(21) Appl. No.: **29/301,005**

(57) **CLAIM**

(22) Filed: **Feb. 6, 2008**

The ornamental design for a light fixture, as shown and described.

(51) **LOC (8) Cl.** ..... **26-03**

(52) **U.S. Cl.** ..... **D26/85**

(58) **Field of Classification Search** ..... D26/72,  
D26/75, 76, 85, 89; 362/147, 404, 347, 350  
See application file for complete search history.

**DESCRIPTION**

FIG. 1 is a top, left side and front isometric view of a light fixture embodying my new design;

FIG. 2 is a top view thereof;

FIG. 3 is a front view thereof, the rear view being a mirror image of the front view;

FIG. 4 is a left side view thereof;

FIG. 5 is a right side view thereof; and,

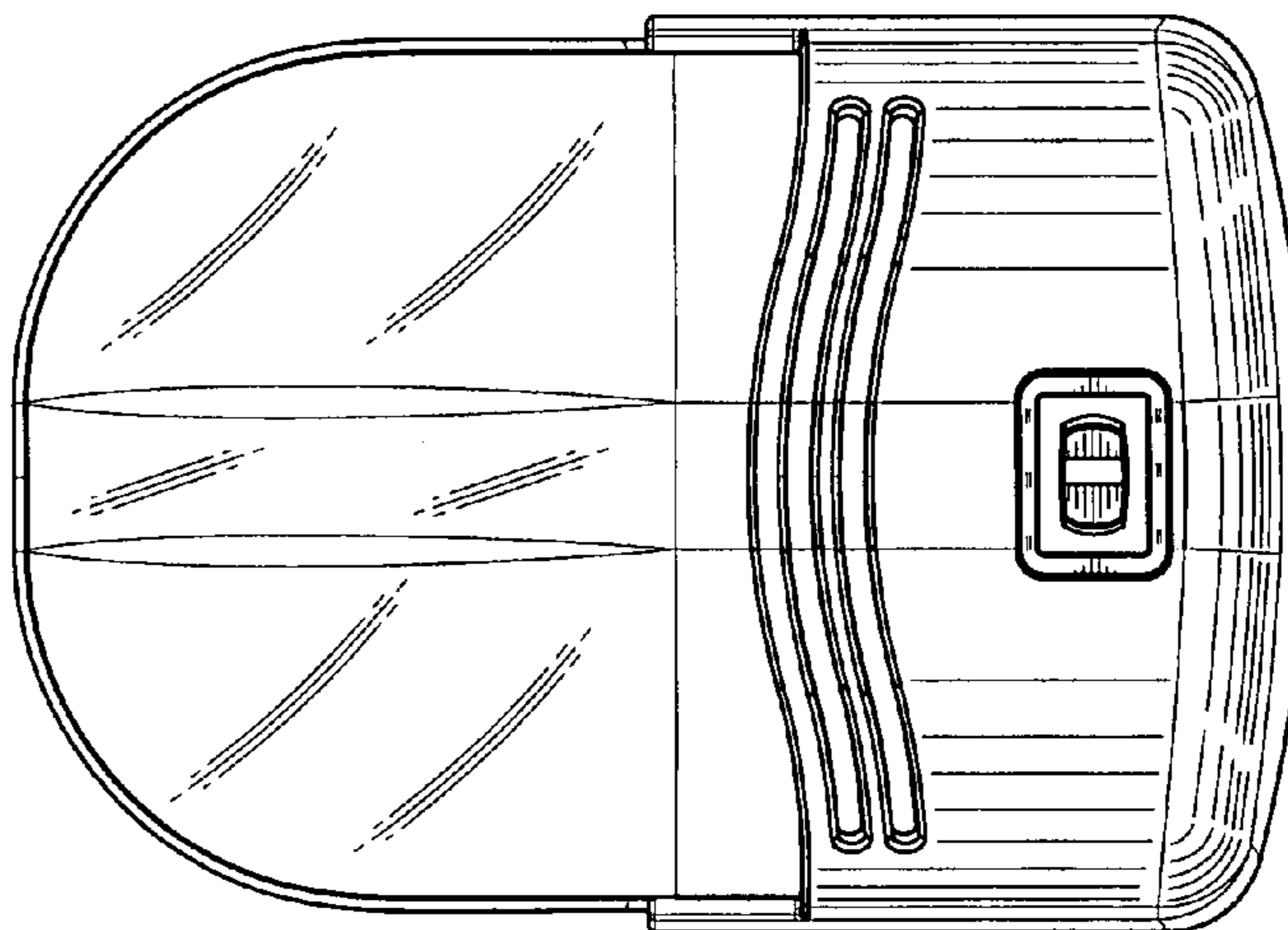
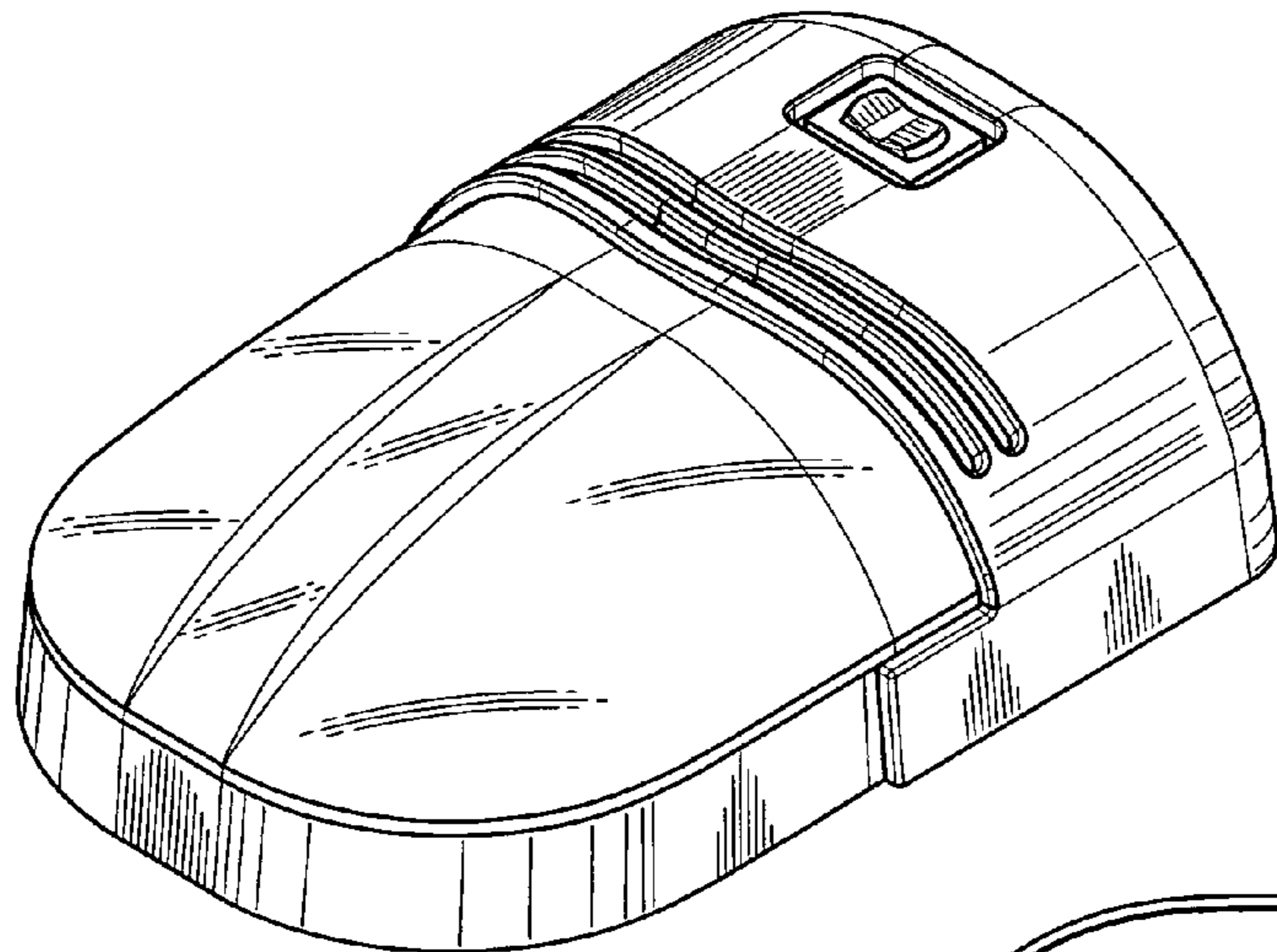
FIG. 6 is a bottom view thereof.

(56) **References Cited**

U.S. PATENT DOCUMENTS

D378,617 S \* 3/1997 Yuen ..... D26/26  
D380,572 S \* 7/1997 Bodell et al. .... D26/85  
D468,046 S \* 12/2002 Bernard et al. .... D26/85  
D503,822 S \* 4/2005 Monroe et al. .... D26/85  
D552,292 S \* 10/2007 Martineau ..... D26/85

**1 Claim, 3 Drawing Sheets**



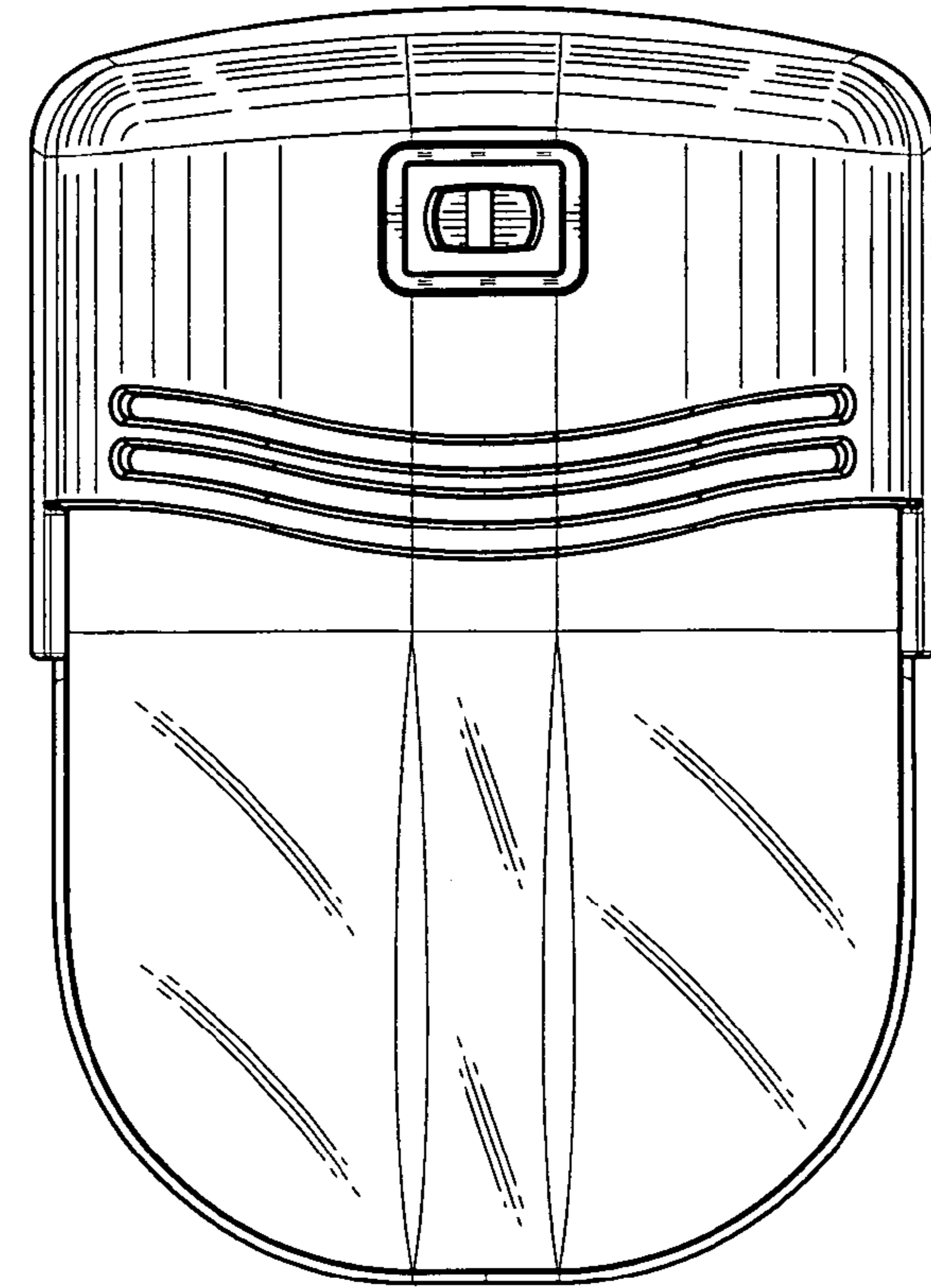


FIG. 2

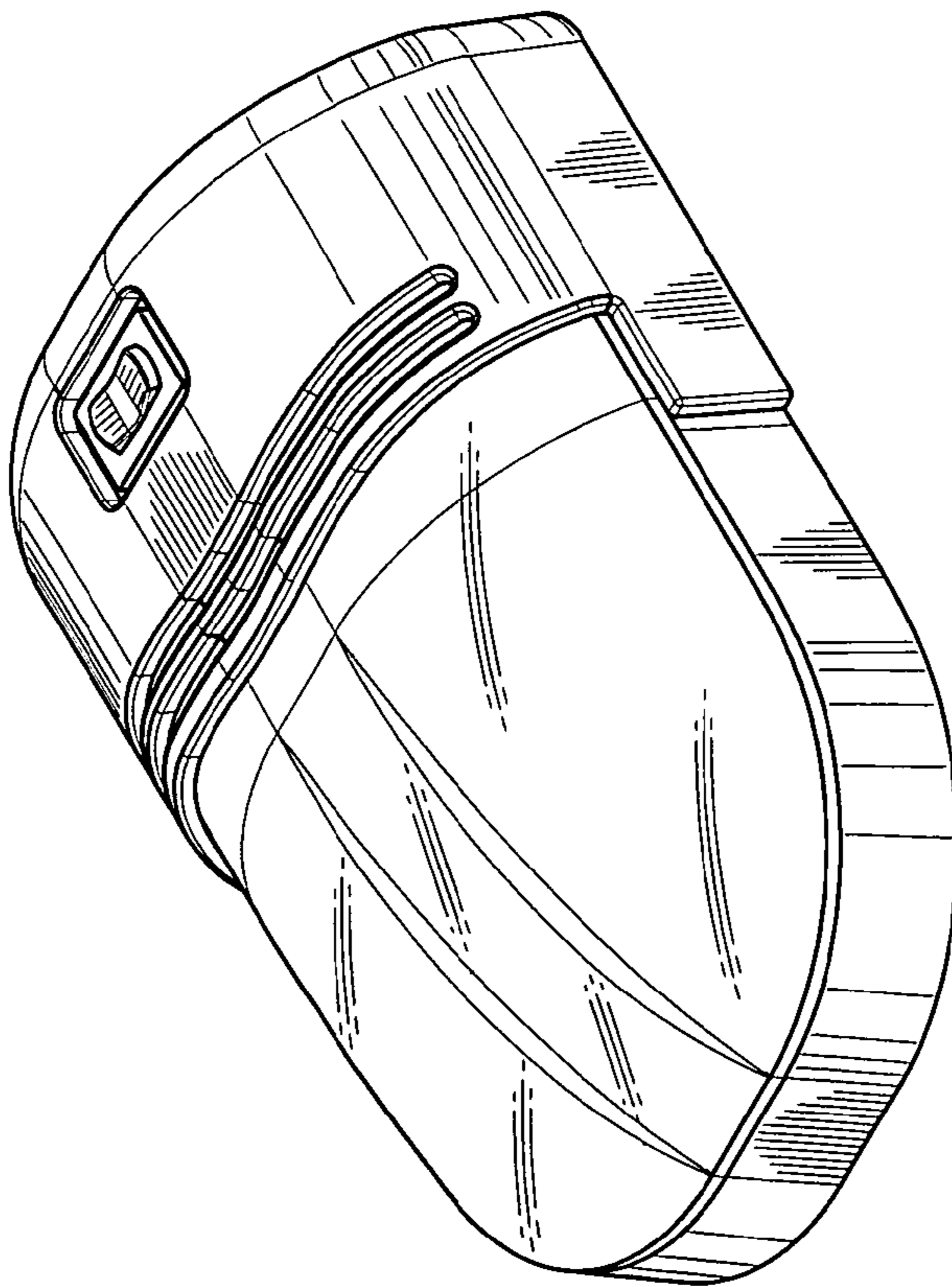


FIG. 1

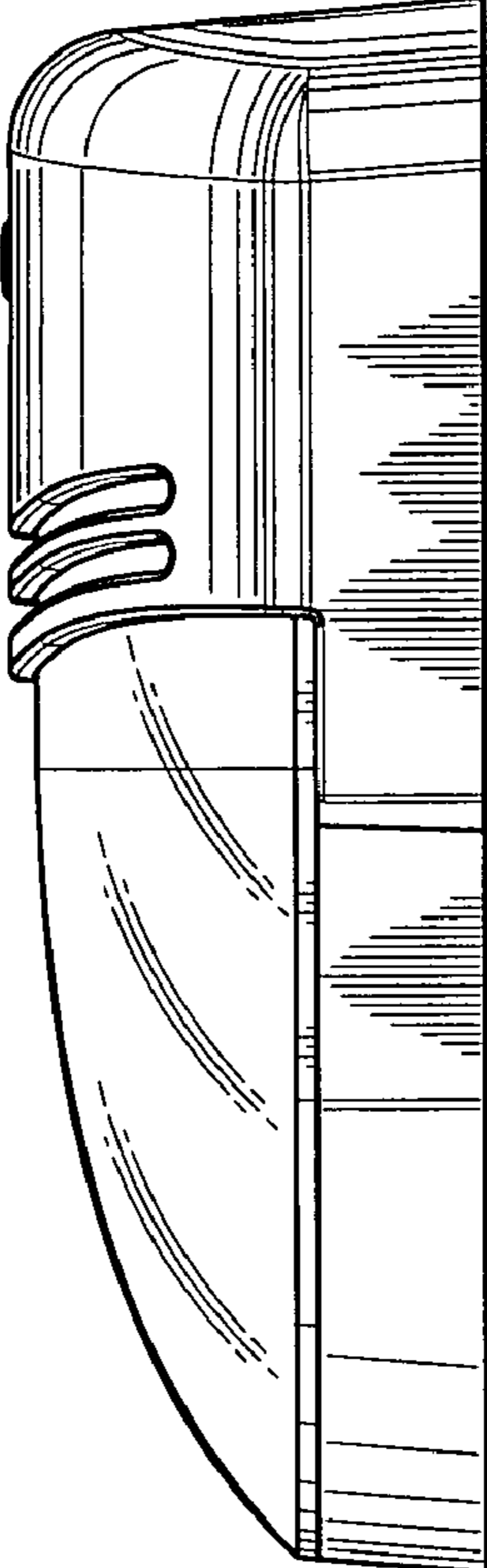


FIG. 3

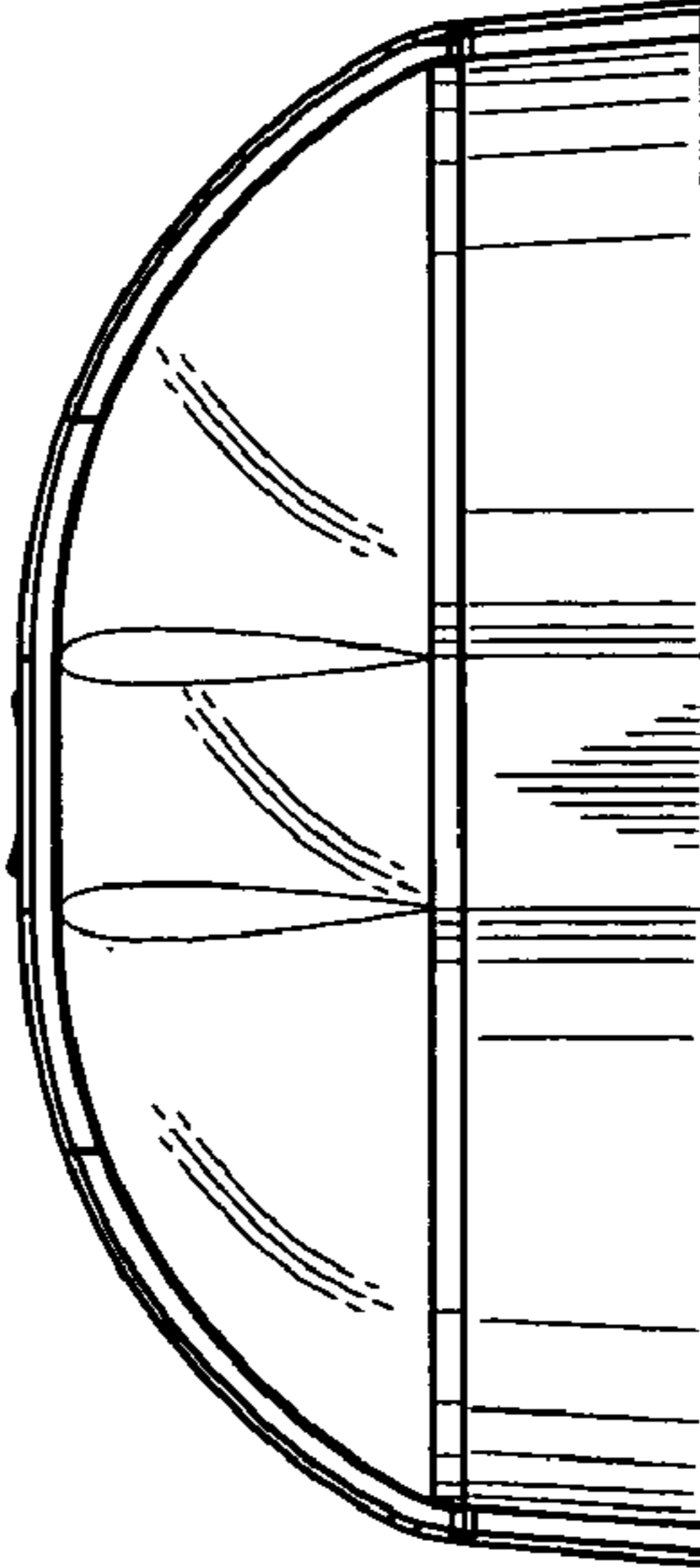


FIG. 4

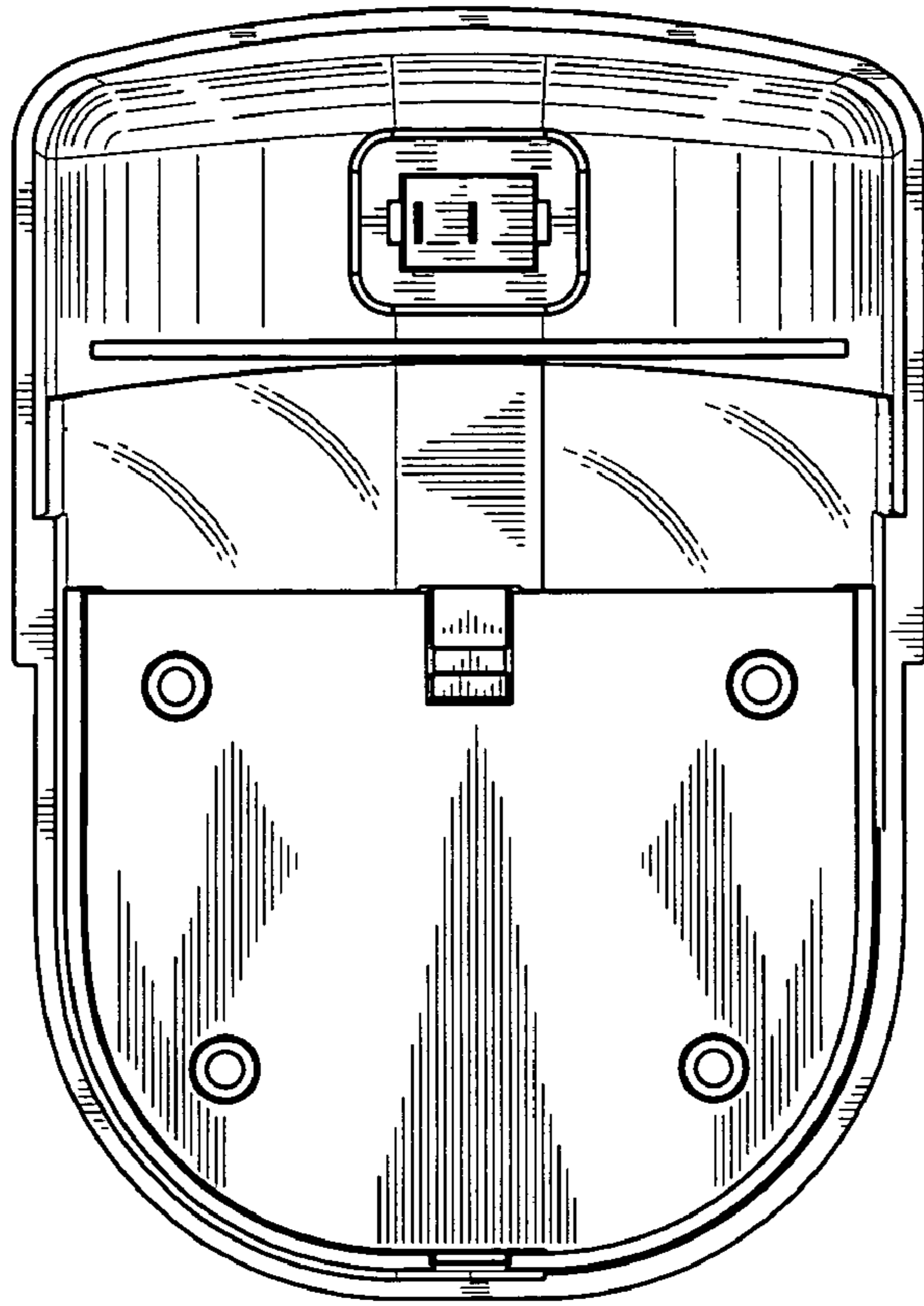


FIG. 6

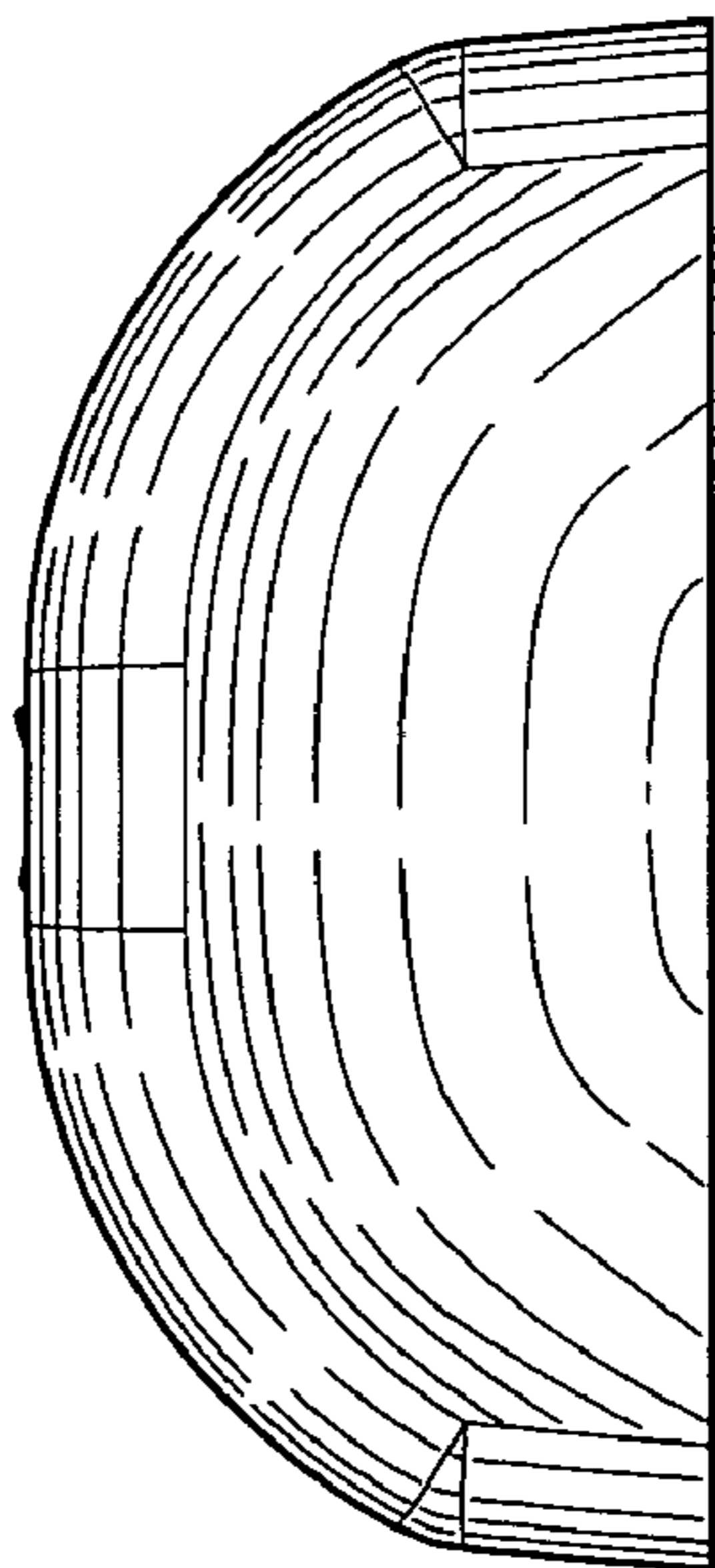


FIG. 5