

US00D578699S

(12) **United States Design Patent**
Ohno et al.

(10) **Patent No.:** **US D578,699 S**

(45) **Date of Patent:** **** Oct. 14, 2008**

(54) **LIGHT EMITTING DIODE LAMP**

2005/0168969 A1* 8/2005 Chang et al. 362/100

(75) Inventors: **Hajime Ohno**, Tokyo (JP); **Takeshi Arimura**, Tokyo (JP)

* cited by examiner

Primary Examiner—Clare E Heflin

(74) *Attorney, Agent, or Firm*—J.C. Patents

(73) Assignee: **Toshiba Lighting & Technology Corporation**, Tokyo (JP)

(57) **CLAIM**

(**) Term: **14 Years**

The ornamental design for a light emitting diode lamp, as shown and described.

(21) Appl. No.: **29/297,412**

(22) Filed: **Nov. 9, 2007**

DESCRIPTION

(30) **Foreign Application Priority Data**

Jul. 20, 2007 (JP) 2007-019790

FIG. 1 is a perspective view of a light emitting diode lamp showing the new design;

FIG. 2 is a front view thereof;

FIG. 3 is a rear view thereof;

(51) **LOC (8) Cl.** **26-05**

(52) **U.S. Cl.** **D26/72; D26/76**

(58) **Field of Classification Search** D26/1, D26/2, 24, 76-78, 80, 86, 35, 36; D13/182; 362/100, 127, 133, 240, 605, 612, 613, 640, 362/646, 648

FIG. 4 is a right side view thereof, the left side view being a mirror image thereof;

FIG. 5 is a top view thereof, the bottom view being a mirror image thereof;

See application file for complete search history.

FIG. 6 is a cross-sectional view taken along line 6—6 in FIG. 2 with the internal parts omitted, wherein the portions having the double slanted lines are transparent;

(56) **References Cited**

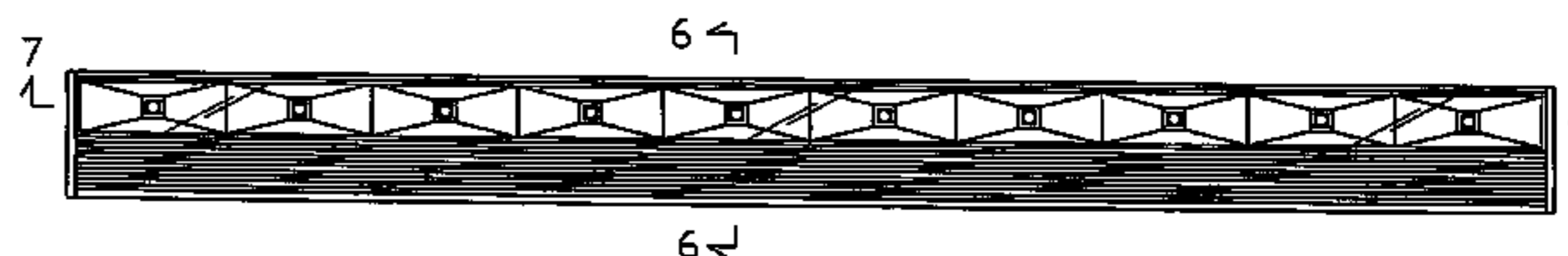
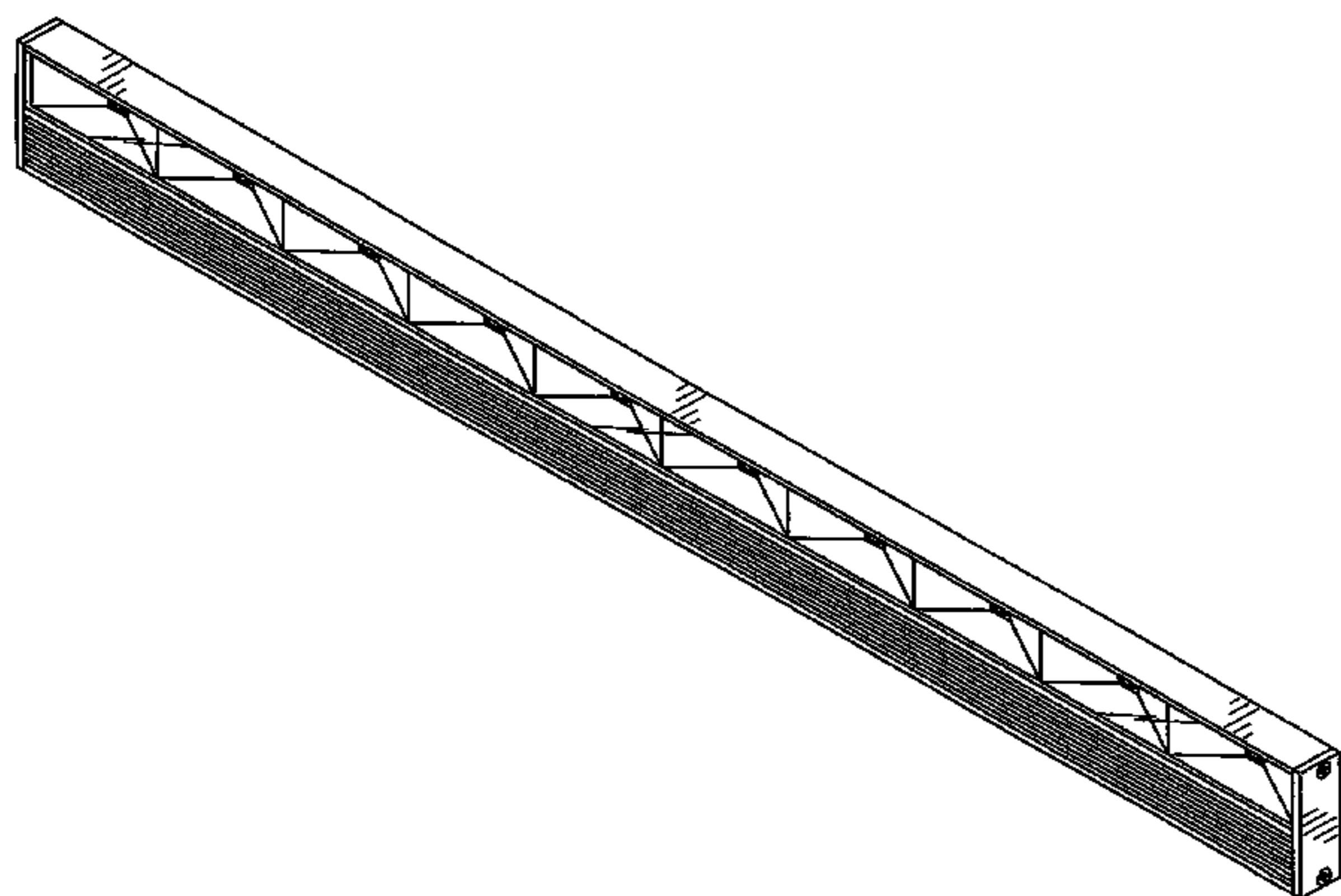
U.S. PATENT DOCUMENTS

D232,257 S *	7/1974	Paulson	D26/80
D234,621 S *	3/1975	Muller	D26/80
D261,811 S *	11/1981	Audesse et al.	D26/2
D377,231 S *	1/1997	Degelmann	D26/77
D438,326 S *	2/2001	Kan	D26/76
D539,945 S *	4/2007	Egawa et al.	D26/24
7,220,020 B2 *	5/2007	Tsuei et al.	362/240

FIG. 7 is a cross-sectional view taken along line 7—7 in FIG. 2 with the internal parts omitted, wherein the portions having the double slanted lines are transparent; and,

FIG. 8 is an enlarged partial view taken along lines 8—8 in FIG. 8 with the internal parts omitted, wherein the portions having the double slanted lines are transparent.

1 Claim, 6 Drawing Sheets



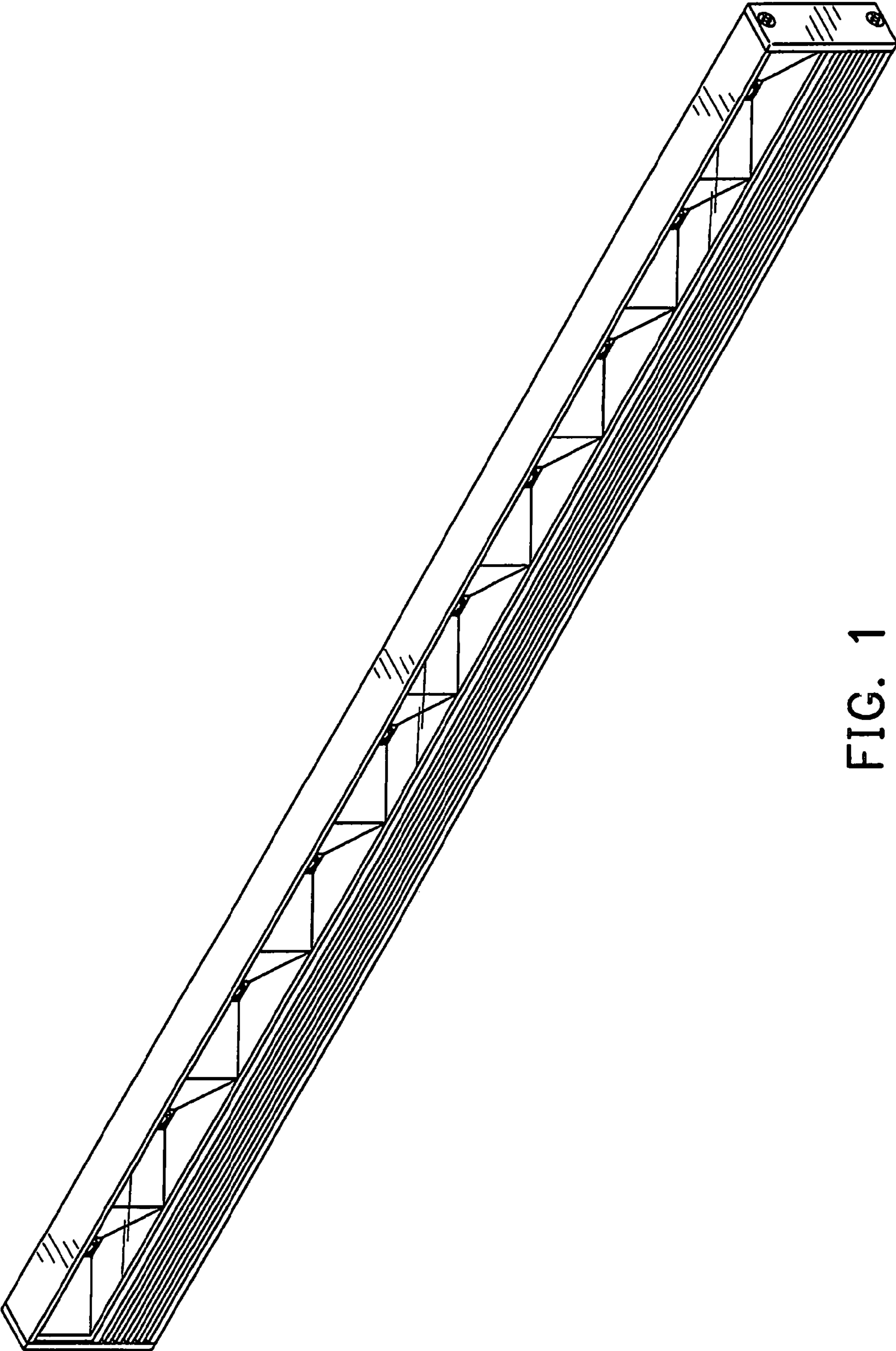


FIG. 1

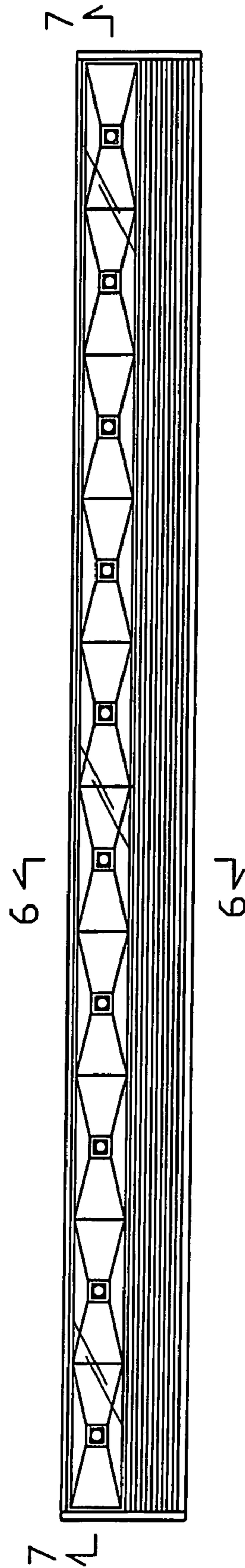


FIG. 2

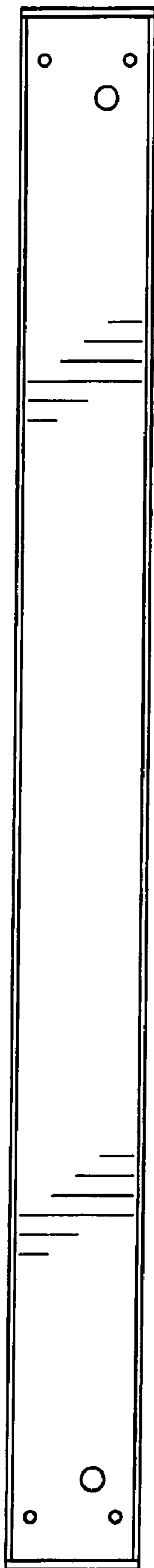


FIG. 3



FIG. 4



FIG. 5

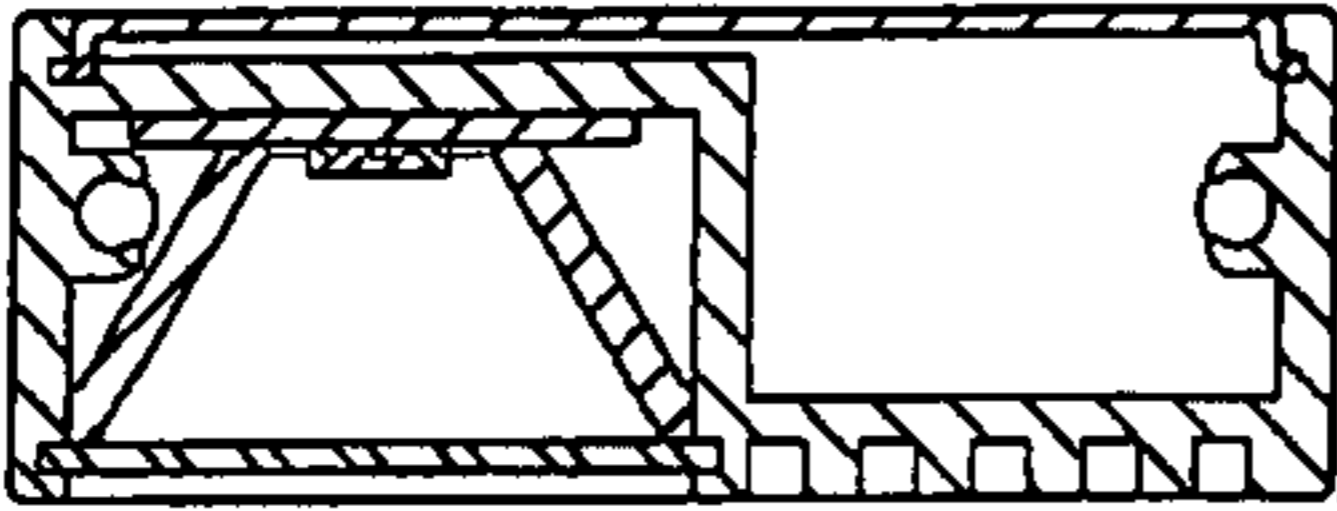


FIG. 6

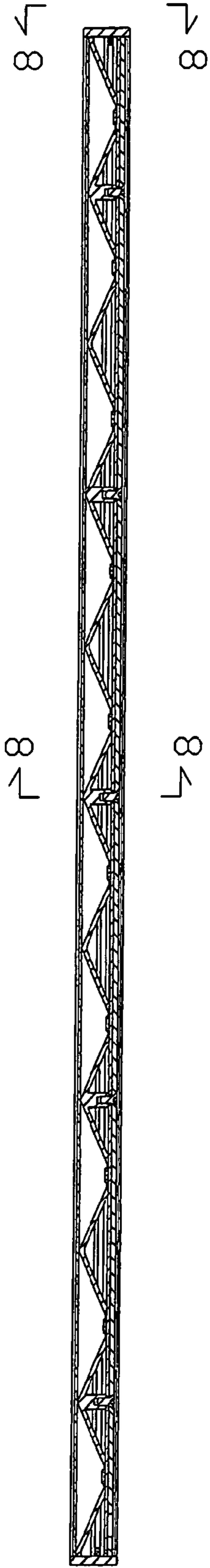


FIG. 7

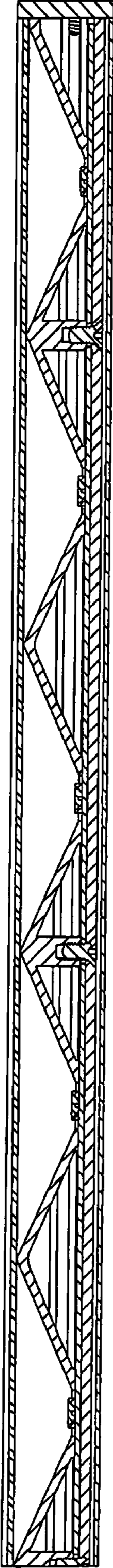


FIG. 8

UNITED STATES PATENT AND TRADEMARK OFFICE
CERTIFICATE OF CORRECTION

PATENT NO. : Des. 578,699 S
APPLICATION NO. : 29/297412
DATED : October 14, 2008
INVENTOR(S) : Hajime Ohno et al.

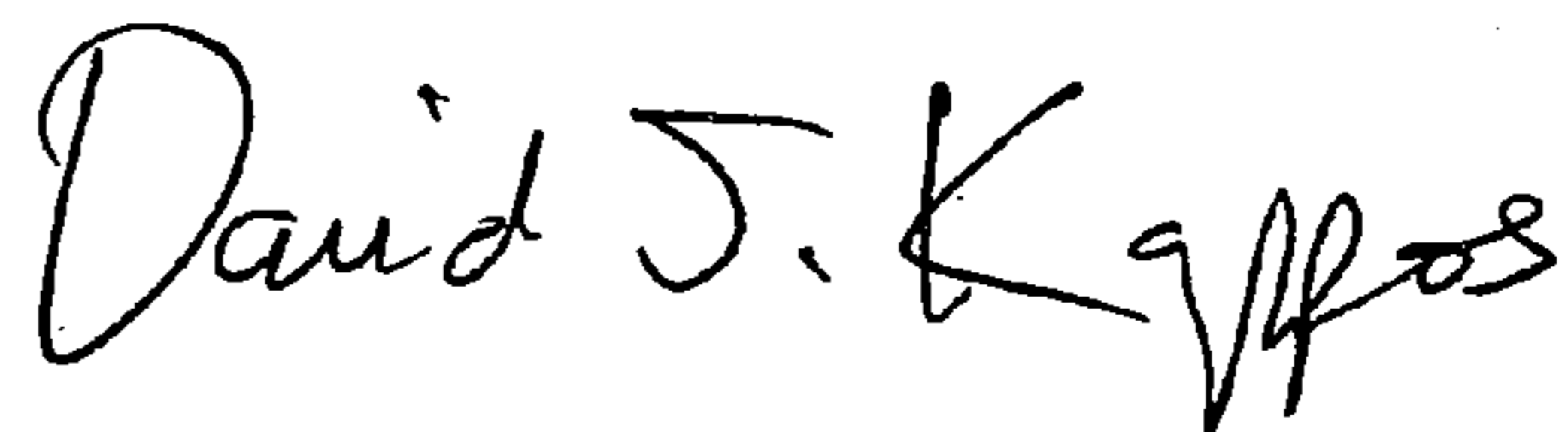
Page 1 of 1

It is certified that error appears in the above-identified patent and that said Letters Patent is hereby corrected as shown below:

On the Title page of the patent grant, please replace the last paragraph of the Description from
“FIG. 8 is an enlarged partial view taken along lines 8-8 in FIG. 8 with the internal parts omitted,
wherein the portions having the double slanted lines are transparent.” to -- FIG. 8 is an enlarged partial
view taken along lines 8-8 in FIG. 7 with the internal parts omitted, wherein the portions having the
double slanted lines are transparent. --

Signed and Sealed this

Fifth Day of January, 2010



David J. Kappos
Director of the United States Patent and Trademark Office