

US00D578698S

(12) **United States Design Patent**  
**Zheng**

(10) **Patent No.:** **US D578,698 S**

(45) **Date of Patent:** **\*\* Oct. 14, 2008**

(54) **LED LAMP**

(75) Inventor: **Shi-Song Zheng**, Shenzhen (CN)

(73) Assignee: **Foxconn Technology Co., Ltd.**,  
Tu-Cheng, Taipei Hsien (TW)

(\*\*) Term: **14 Years**

(21) Appl. No.: **29/305,586**

(22) Filed: **Mar. 24, 2008**

(51) **LOC (8) Cl.** ..... **26-05**

(52) **U.S. Cl.** ..... **D26/71; D26/92**

(58) **Field of Classification Search** ..... D26/67-71,  
D26/87, 92; 362/145, 249, 252, 431, 432  
See application file for complete search history.

(56) **References Cited**

**U.S. PATENT DOCUMENTS**

1,070,504	A *	8/1913	Massey	.....	362/431
D122,169	S *	8/1940	Longley	.....	D26/69
D193,205	S *	7/1962	Marson	.....	D26/67
D236,909	S *	9/1975	Richilano	.....	D26/68
D423,707	S *	4/2000	Hammond	.....	D26/67

D469,557	S *	1/2003	DiPasquale	.....	D26/67
D470,965	S *	2/2003	Landefeld	.....	D26/71
6,784,357	B1 *	8/2004	Wang	.....	362/431
2004/0095773	A1 *	5/2004	Gaskins et al.	.....	362/370

\* cited by examiner

*Primary Examiner*—Clare E Heflin

(74) *Attorney, Agent, or Firm*—Frank R. Niranjana

(57) **CLAIM**

The ornamental design for an LED lamp, as shown.

**DESCRIPTION**

FIG. 1 is a perspective view of an LED lamp showing my new design;

FIG. 2 is a front elevational view thereof;

FIG. 3 is a rear elevational view thereof;

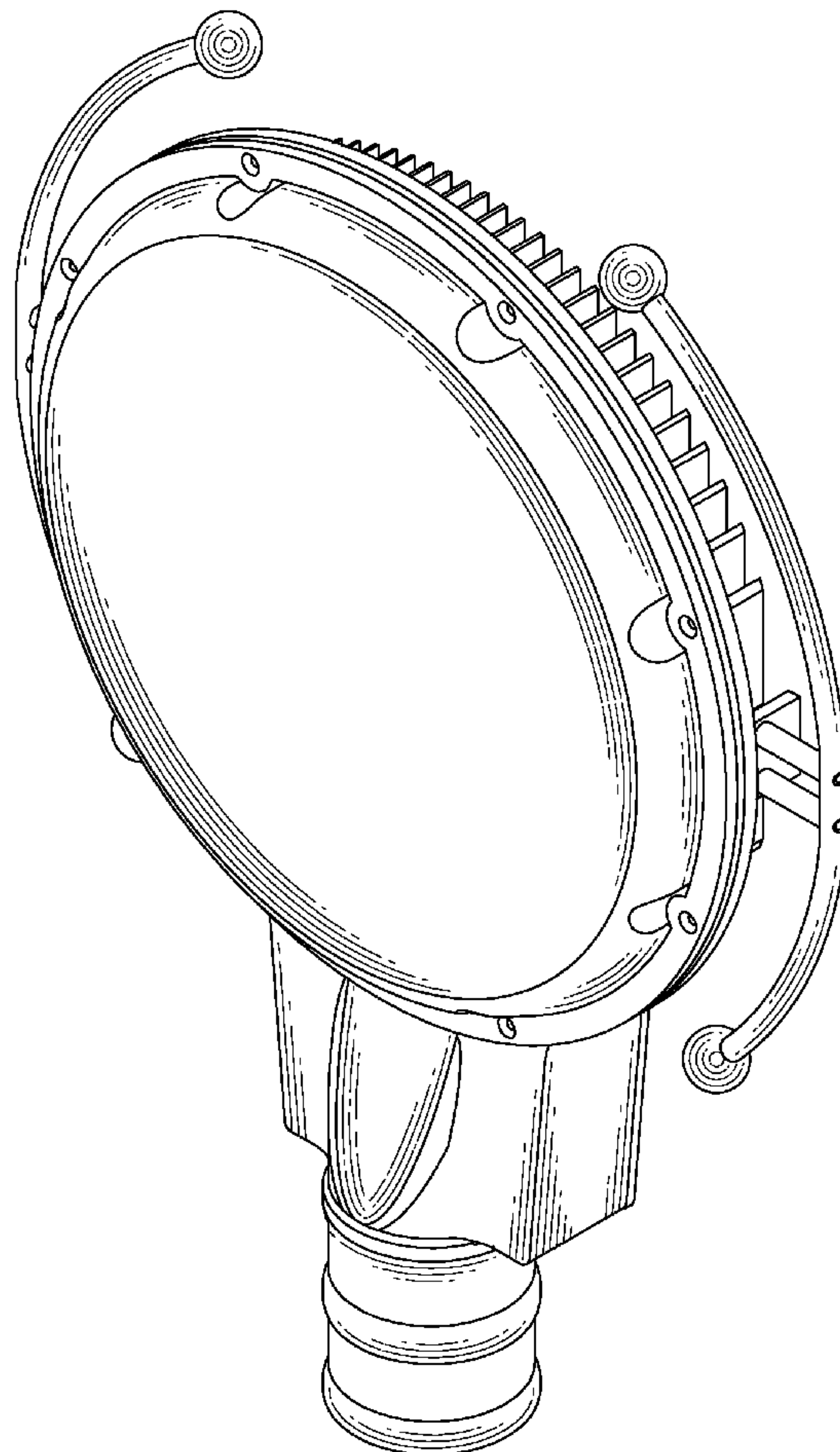
FIG. 4 is a left-side, elevational view thereof;

FIG. 5 is a right-side, elevational view thereof;

FIG. 6 is a top plan view thereof; and,

FIG. 7 is a bottom plan view thereof.

**1 Claim, 7 Drawing Sheets**



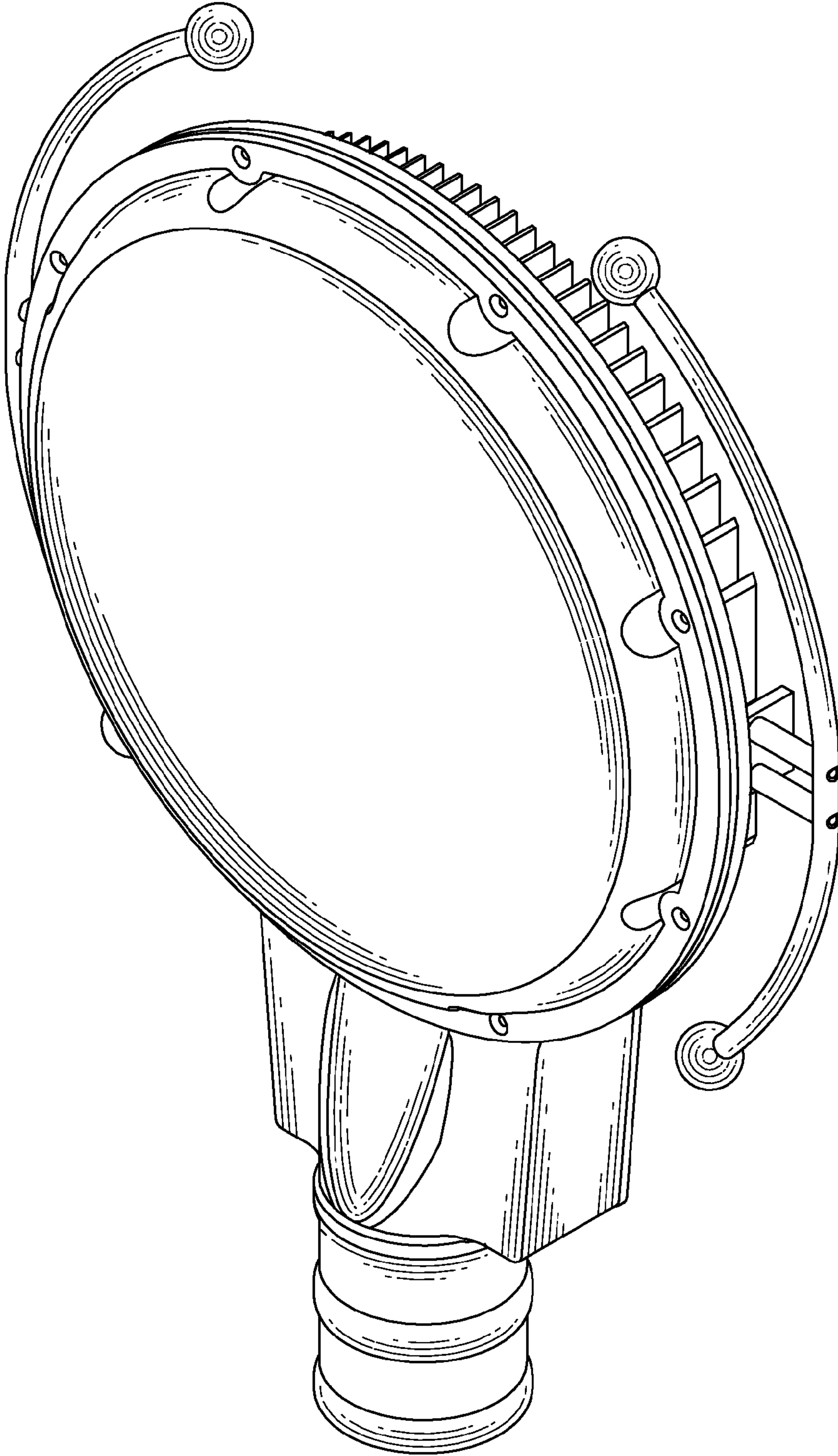


FIG. 1

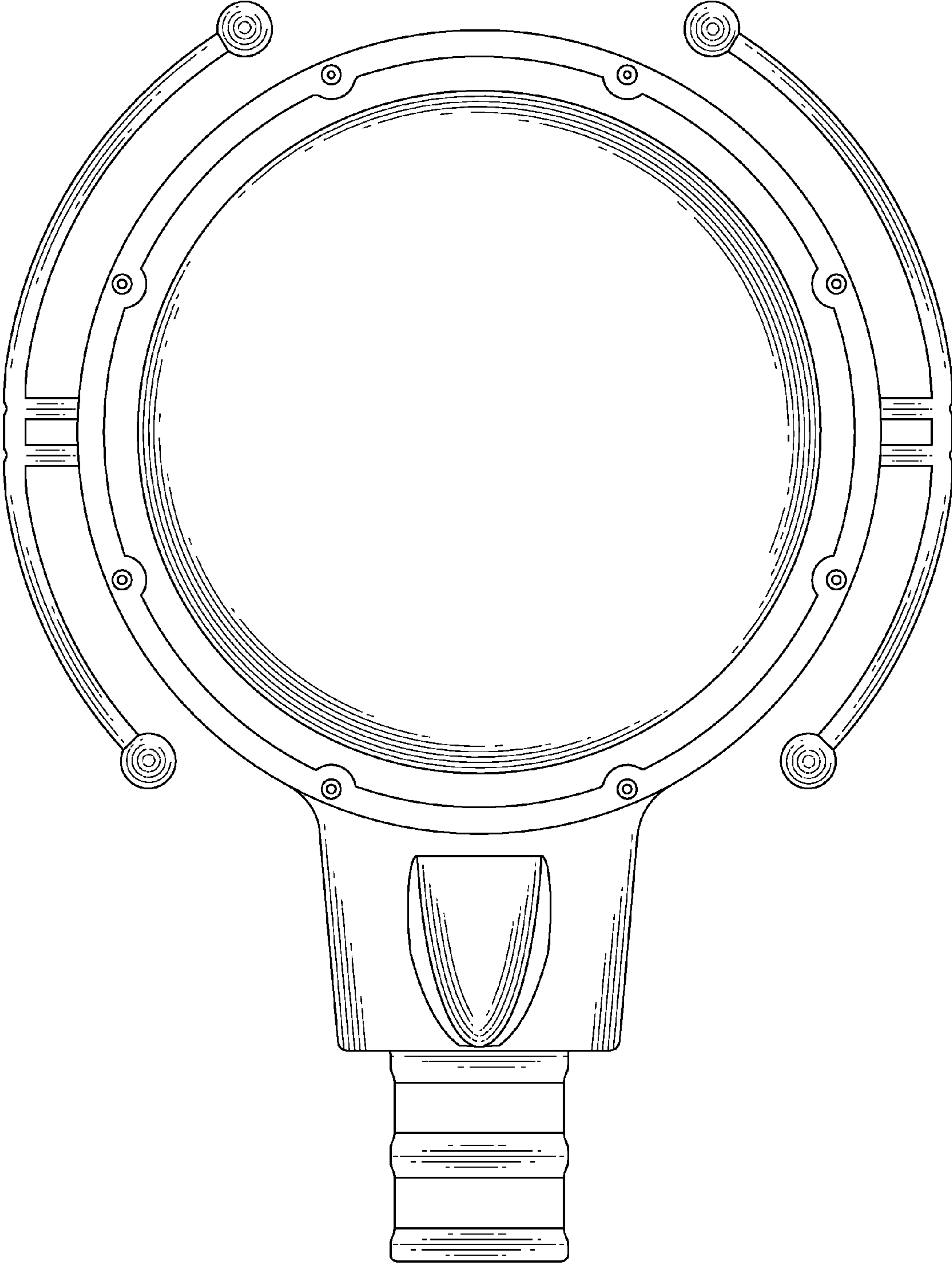


FIG. 2

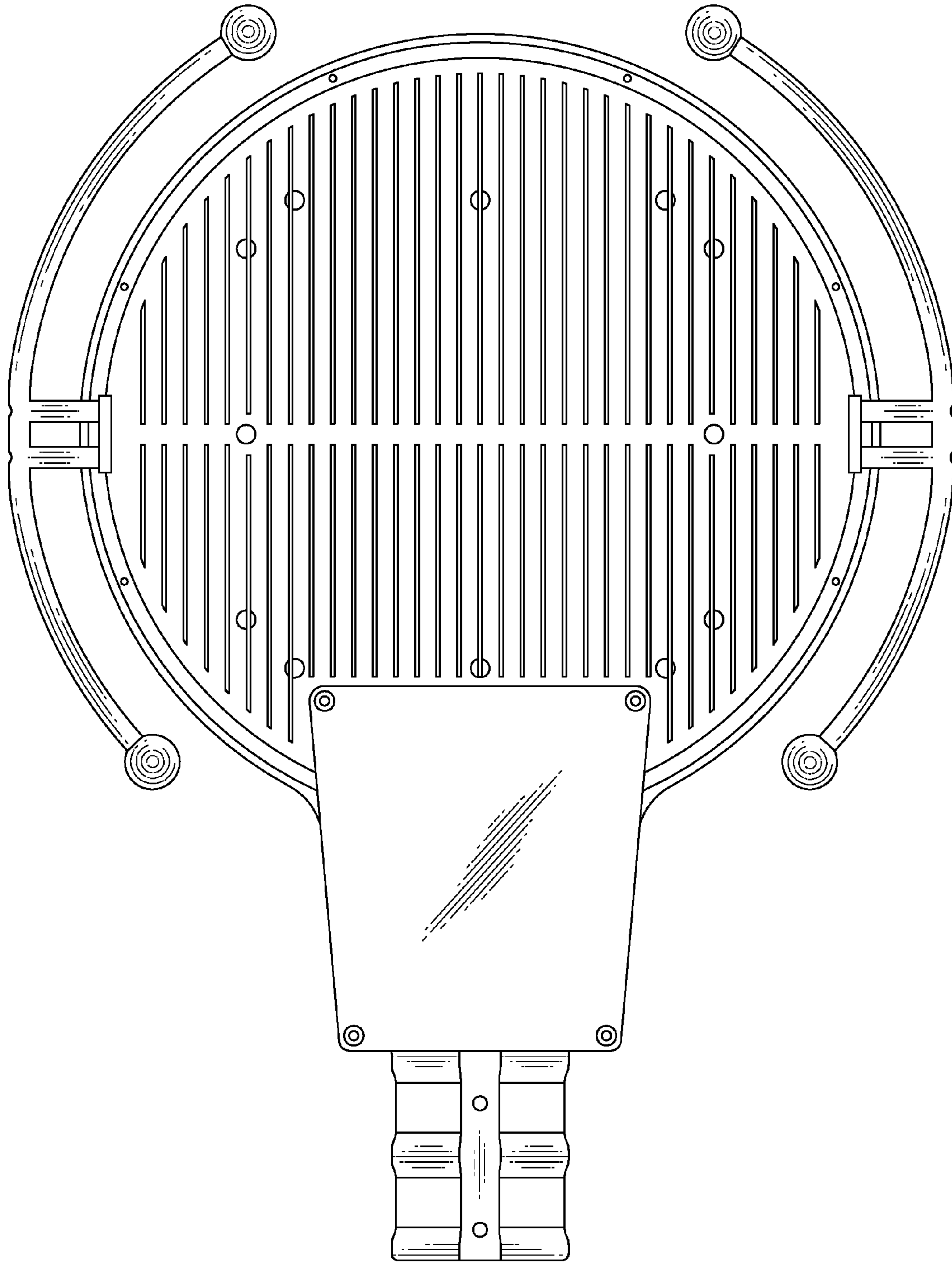


FIG. 3



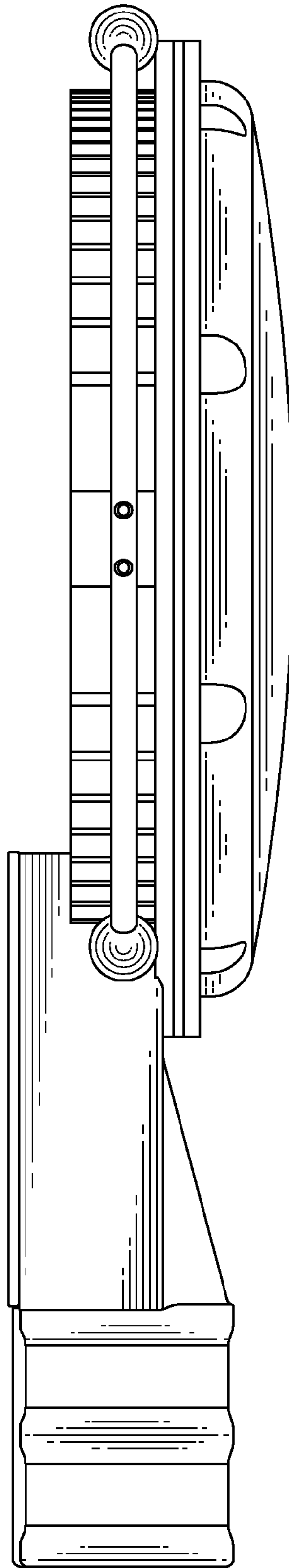


FIG. 4

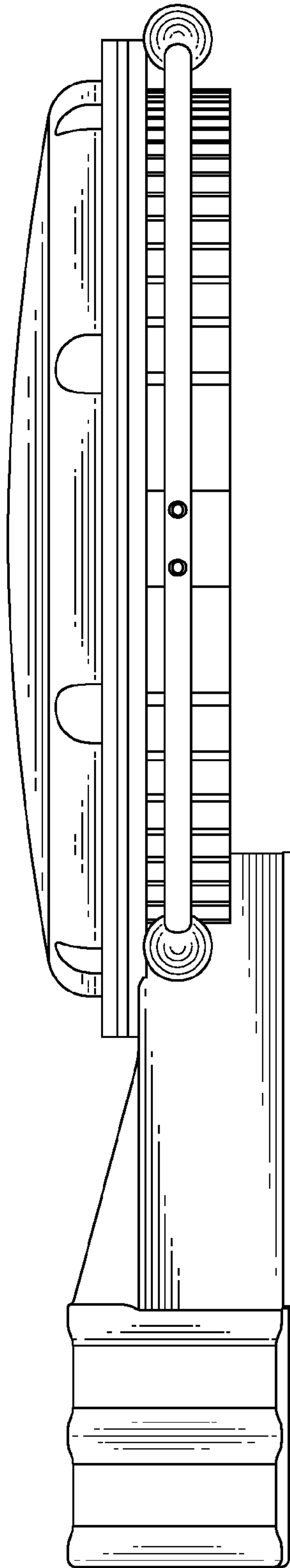


FIG. 5

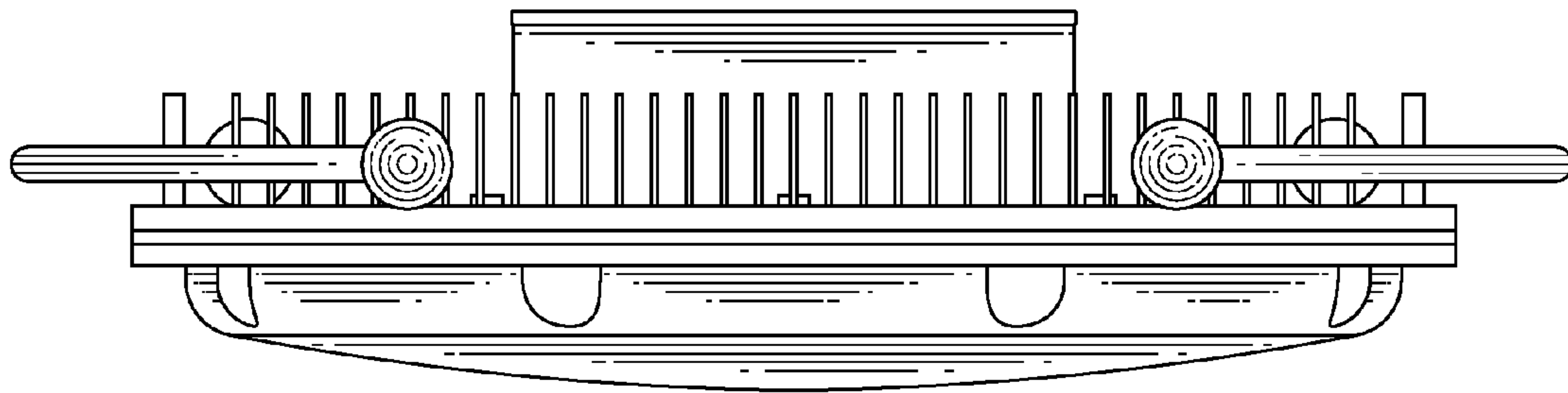


FIG. 6

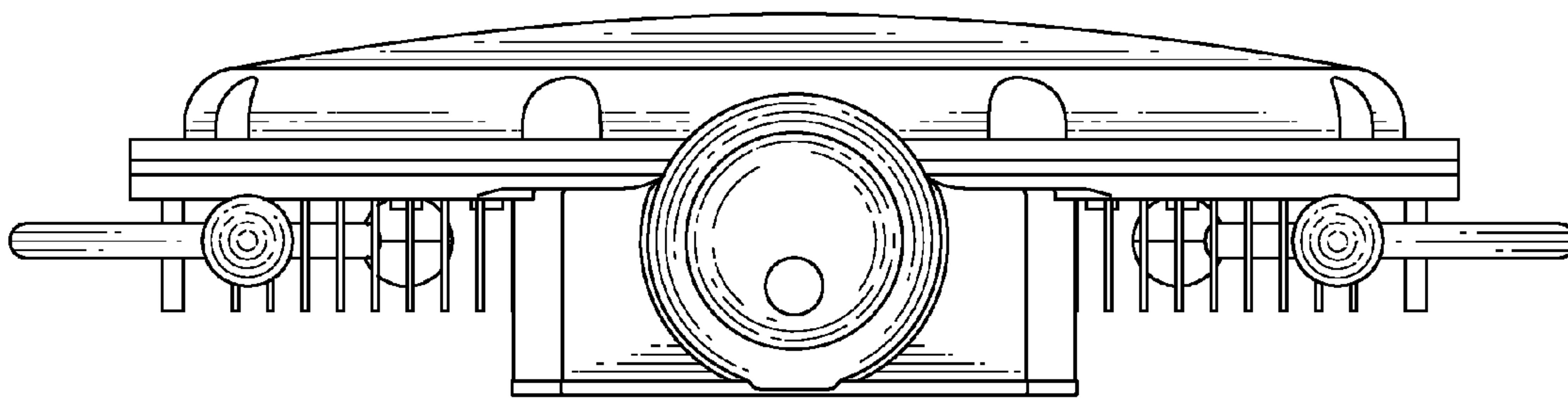


FIG. 7