



US00D578697S

(12) **United States Design Patent**  
**Zheng et al.**

(10) **Patent No.:** **US D578,697 S**

(45) **Date of Patent:** **\*\* Oct. 14, 2008**

(54) **LED LAMP**

(75) Inventors: **Shi-Song Zheng**, Shenzhen (CN);  
**Yi-San Liu**, Shenzhen (CN); **Li He**,  
Shenzhen (CN)

(73) Assignee: **Foxconn Technology Co., Ltd.**,  
Tu-Cheng, Taipei Hsien (TW)

(\*\*) Term: **14 Years**

(21) Appl. No.: **29/305,470**

(22) Filed: **Mar. 21, 2008**

(51) **LOC (8) Cl.** ..... **26-05**

(52) **U.S. Cl.** ..... **D26/71**

(58) **Field of Classification Search** ..... D26/67-71,  
D26/87, 92; 362/145, 249, 252, 431, 432  
See application file for complete search history.

(56) **References Cited**

U.S. PATENT DOCUMENTS

2,916,609 A \* 12/1959 Freier et al. .... 362/374  
D198,812 S \* 8/1964 Pettengill ..... D26/71  
3,183,346 A \* 5/1965 Rodmaker et al. .... 362/218

D204,558 S \* 4/1966 Zeltz ..... D26/71  
3,862,411 A \* 1/1975 Persson ..... 362/431  
4,793,581 A \* 12/1988 Bilson et al. .... 362/431  
6,784,357 B1 \* 8/2004 Wang ..... 362/431  
D556,935 S \* 12/2007 Quioque et al. .... D25/71

\* cited by examiner

*Primary Examiner*—Clare E Heflin

(74) *Attorney, Agent, or Firm*—Frank R. Niranjan

(57) **CLAIM**

The ornamental design for an LED lamp, as shown.

**DESCRIPTION**

FIG. 1 is a perspective view of an LED lamp showing our new design;

FIG. 2 is a front elevational view thereof;

FIG. 3 is a rear elevational view thereof;

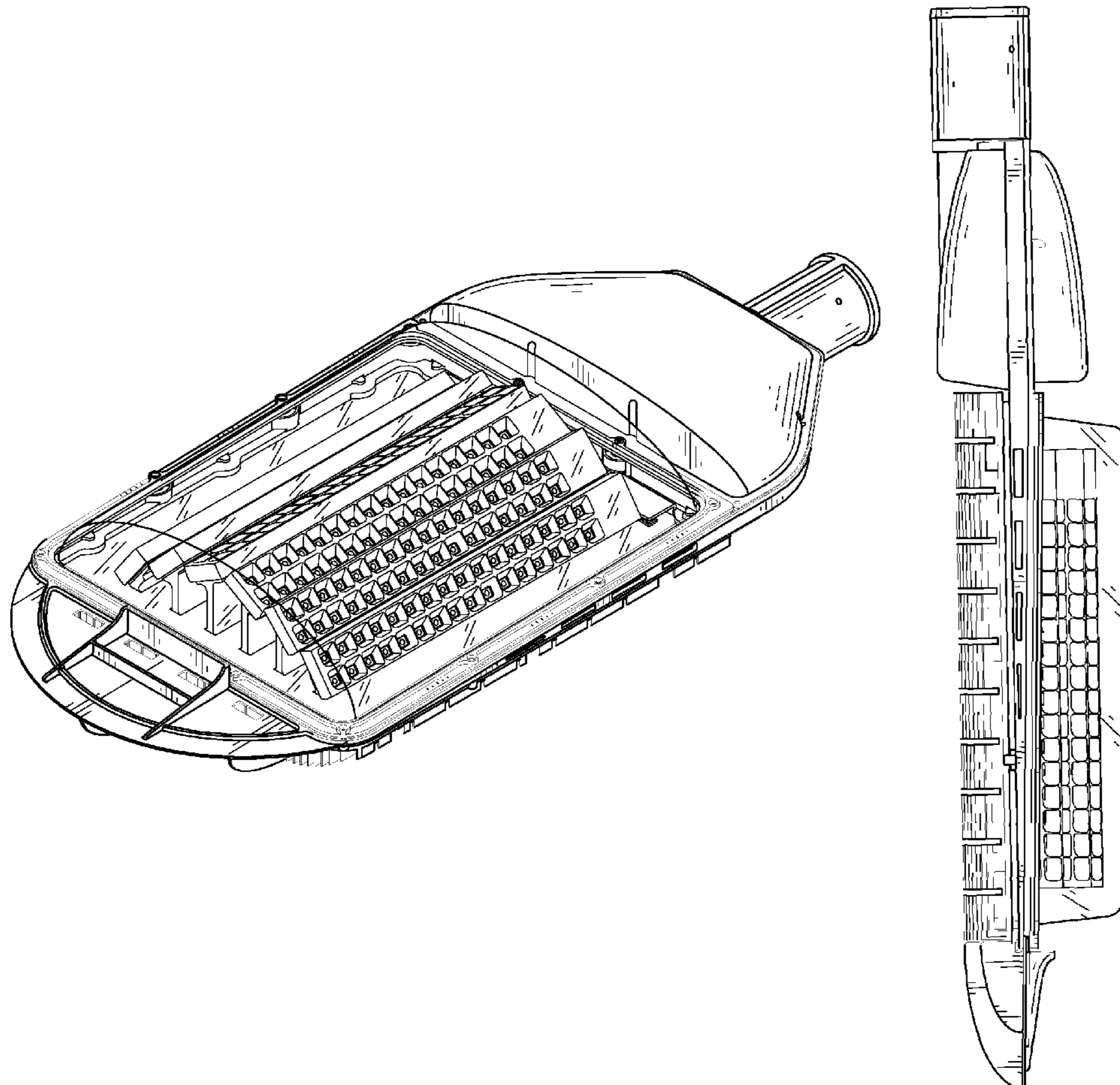
FIG. 4 is a left-side, elevational view thereof;

FIG. 5 is a right-side, elevational view thereof;

FIG. 6 is a top plan view thereof; and,

FIG. 7 is a bottom plan view thereof.

**1 Claim, 7 Drawing Sheets**



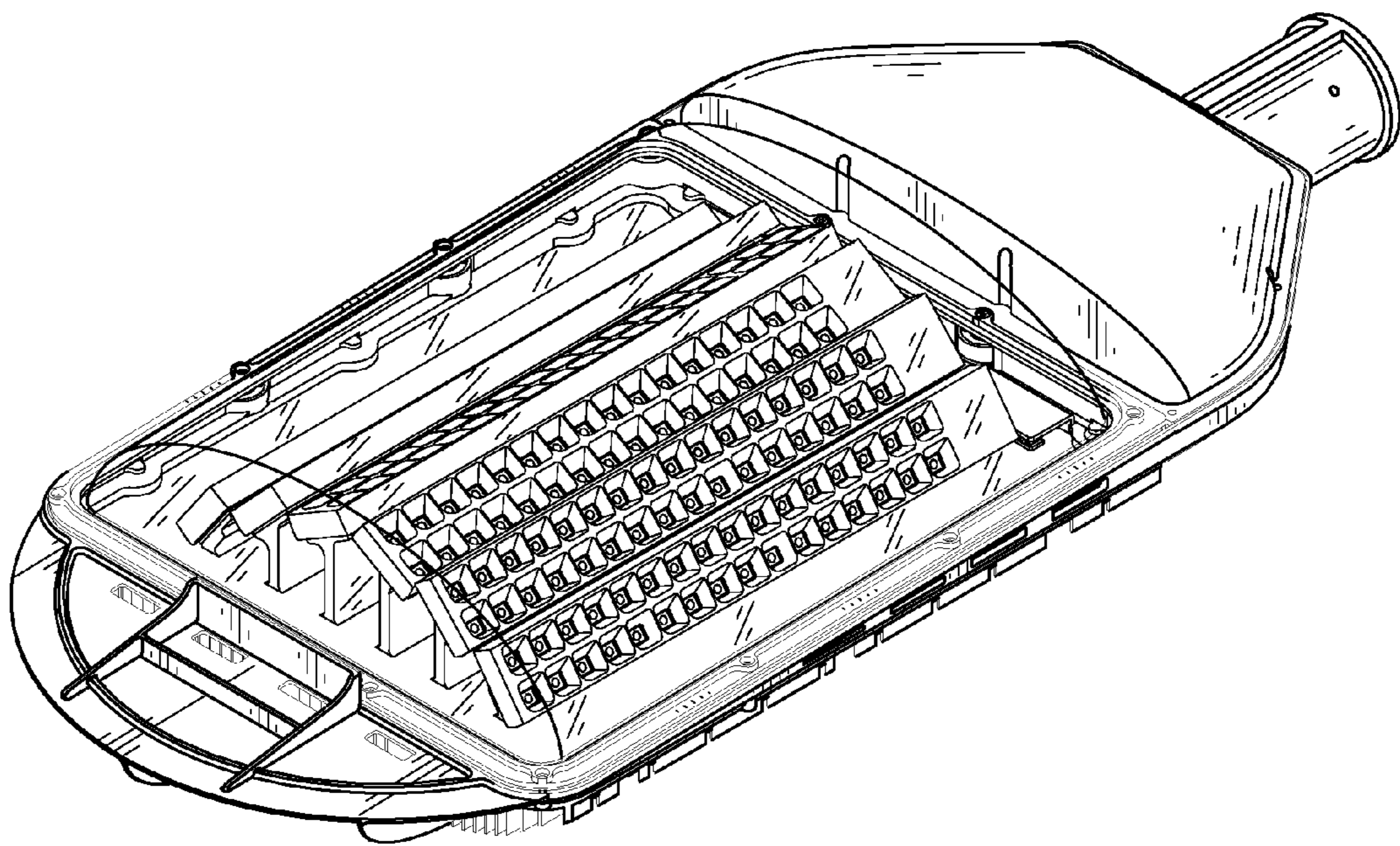


FIG. 1

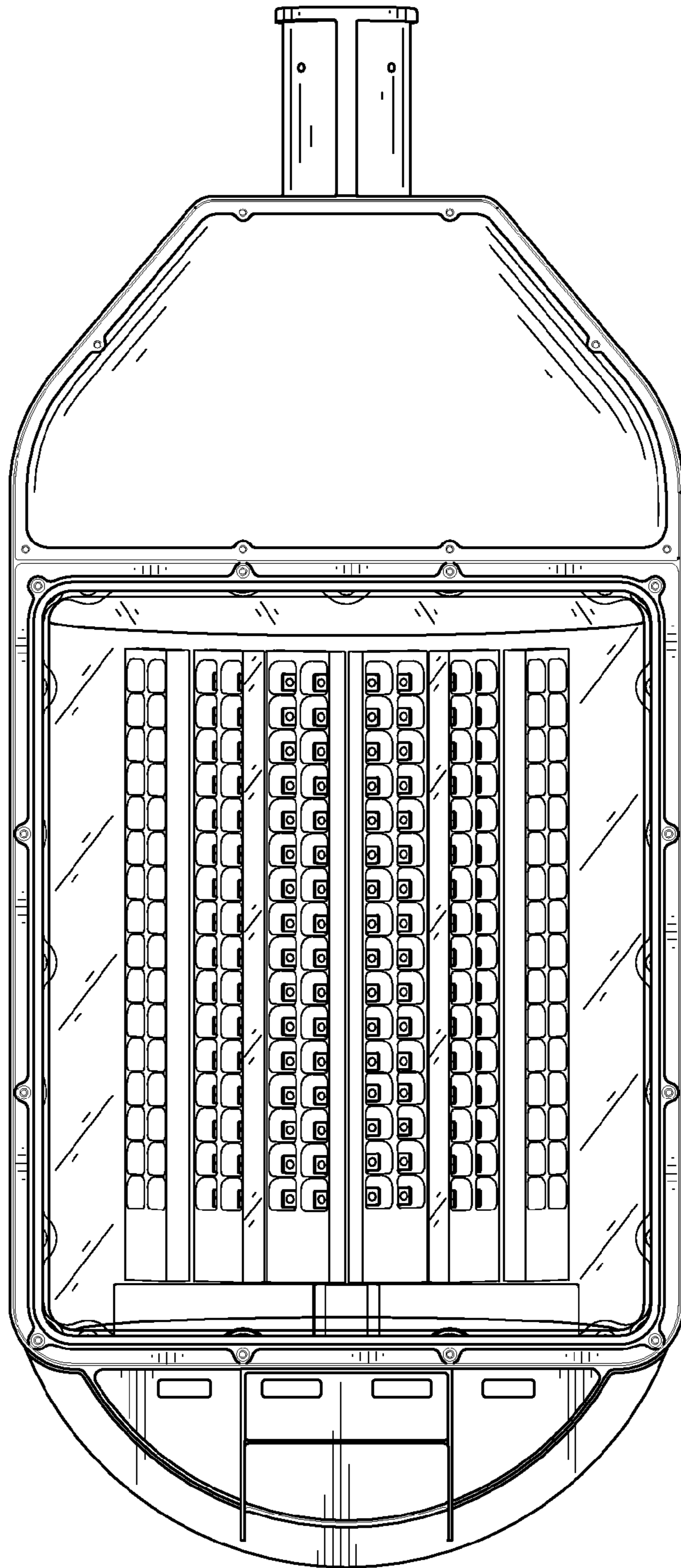


FIG. 2

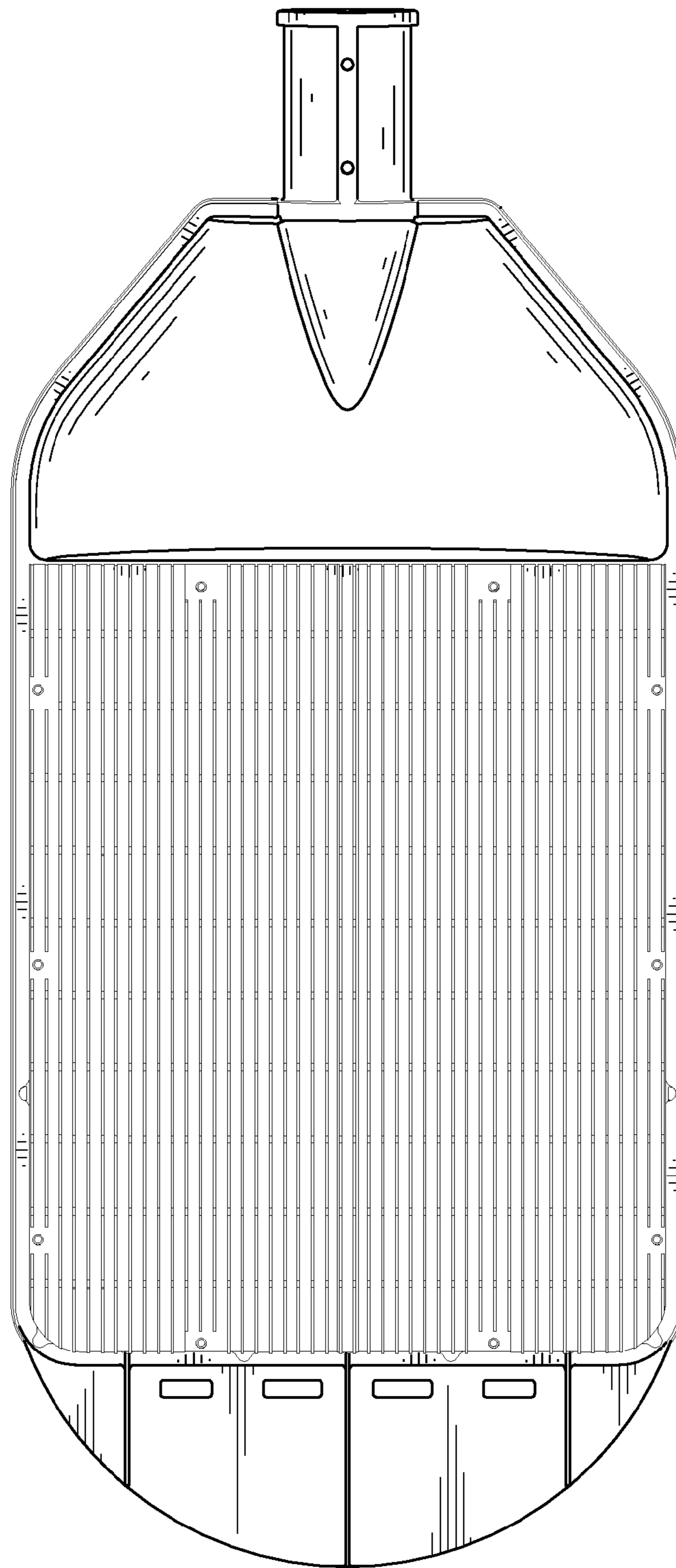


FIG. 3

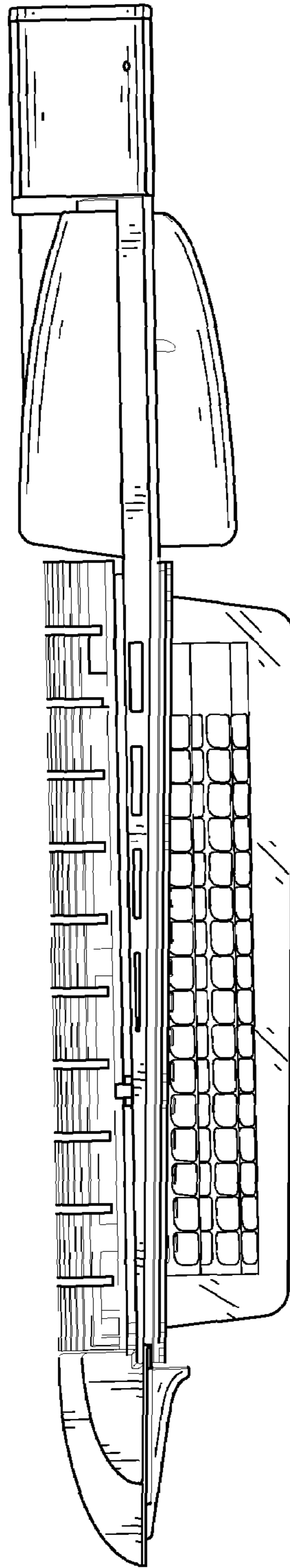


FIG. 4

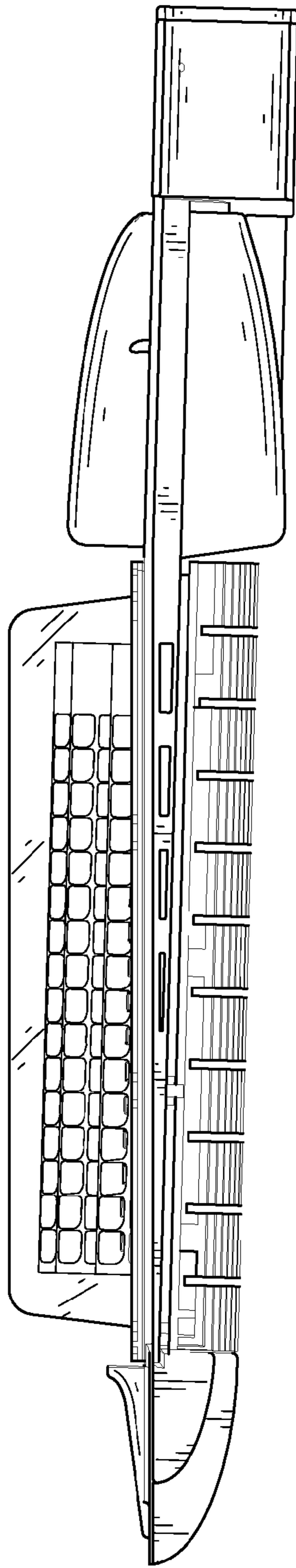


FIG. 5

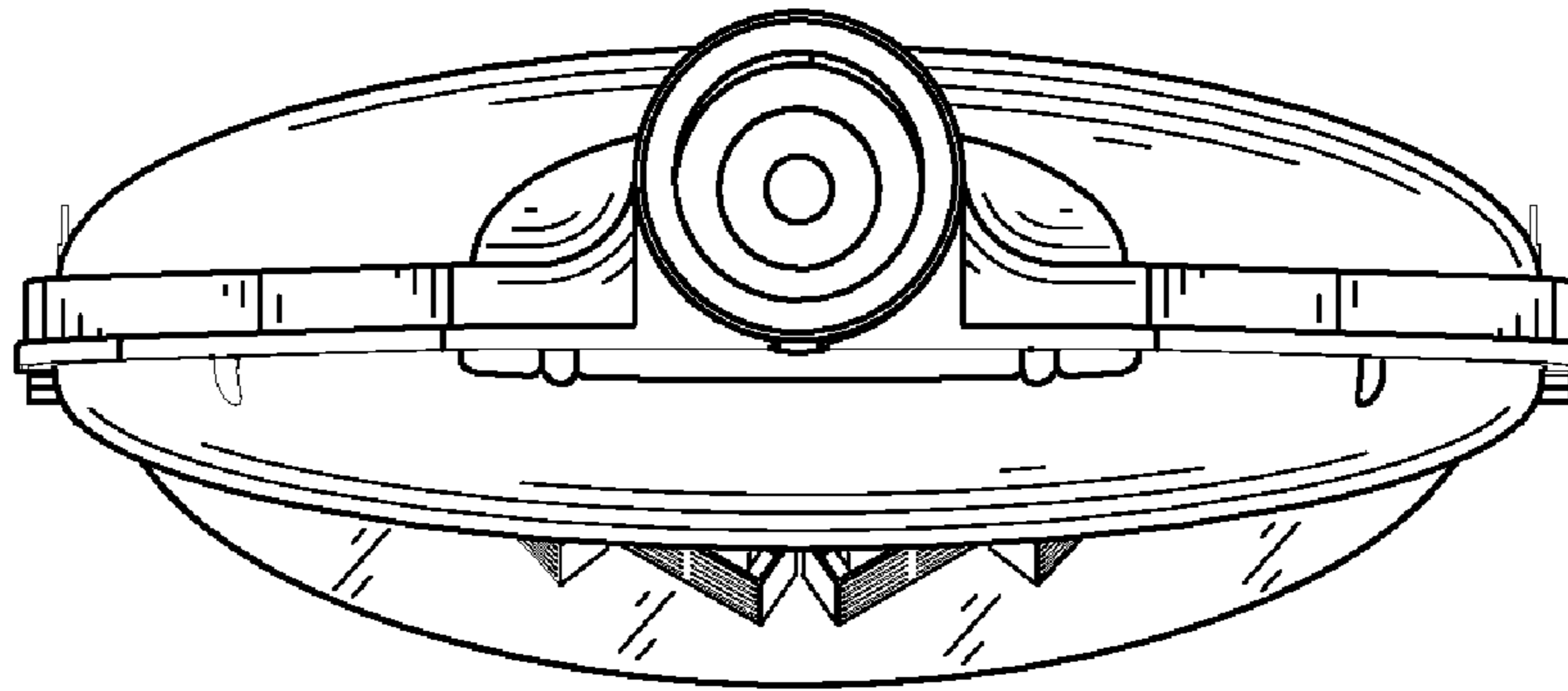


FIG. 6

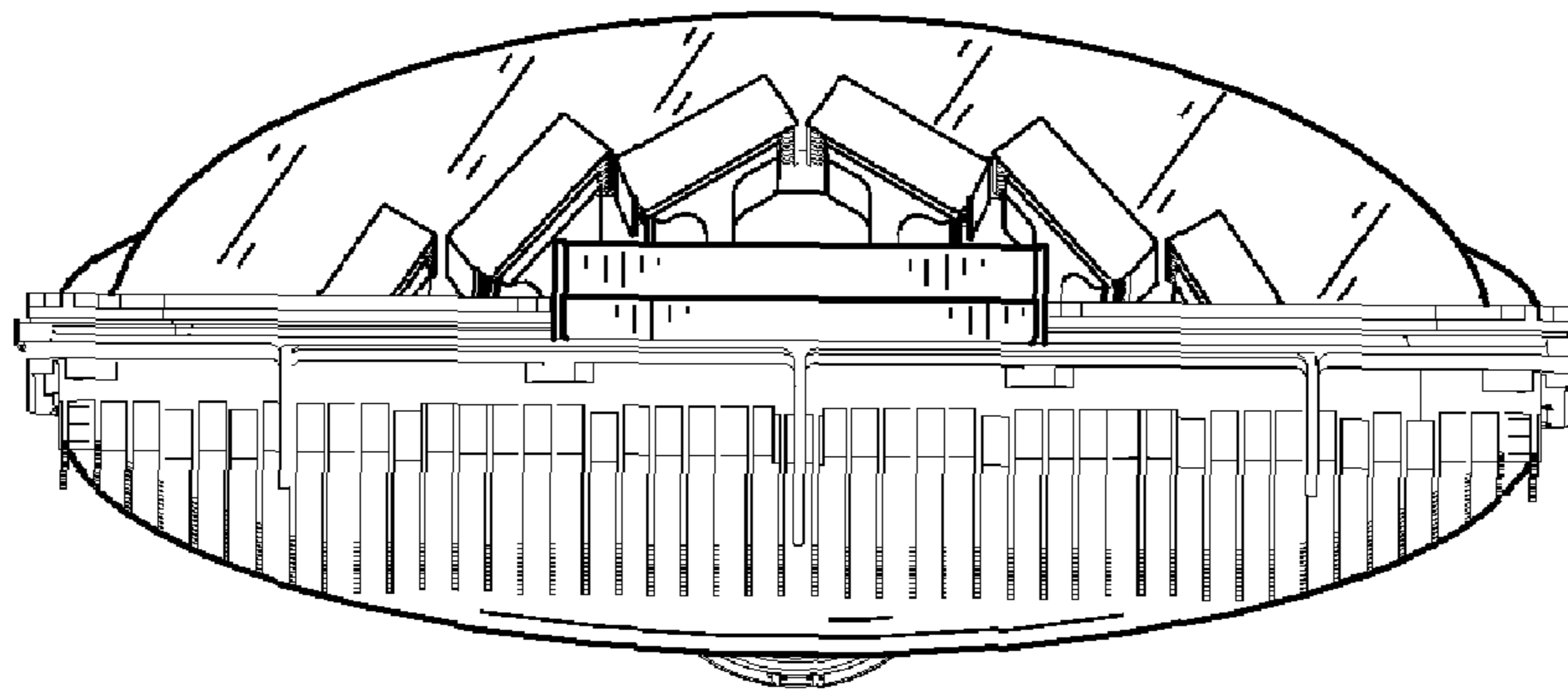


FIG. 7