



US00D578695S

(12) **United States Design Patent**
Zheng et al.

(10) **Patent No.:** **US D578,695 S**
(45) **Date of Patent:** **** Oct. 14, 2008**

(54) **LED LAMP ASSEMBLY**

(75) Inventors: **Shi-Song Zheng**, Shenzhen (CN);
Sai-Wen Wang, Shenzhen (CN); **Li He**,
Shenzhen (CN)

(73) Assignee: **Foxconn Technology Co., Ltd.**,
Tu-Cheng, Taipei Hsien (TW)

(**) Term: **14 Years**

(21) Appl. No.: **29/304,930**

(22) Filed: **Mar. 10, 2008**

(51) **LOC (8) Cl.** **26-05**

(52) **U.S. Cl.** **D26/70**

(58) **Field of Classification Search** D26/67-71,
D26/84; 362/145, 249, 252, 431, 432, 404,
362/405

See application file for complete search history.

(56) **References Cited**

U.S. PATENT DOCUMENTS

- 1,963,218 A * 6/1934 Wakefield 362/147
- D186,547 S * 11/1959 Burton D26/69
- D190,922 S * 7/1961 Anthony D26/24
- 3,062,952 A * 11/1962 Harling 362/418
- D195,310 S * 5/1963 Zagel D26/70
- D203,351 S * 12/1965 Bobrick D26/69

- D279,410 S * 6/1985 Fiorentino et al. D26/69
- D339,650 S * 9/1993 Vieyra D26/84
- 2006/0256557 A1 * 11/2006 Kanamori et al. 362/249

* cited by examiner

Primary Examiner—Clare E Heflin

(74) *Attorney, Agent, or Firm*—Frank R. Niranjan

(57) **CLAIM**

The ornamental design for an LED lamp assembly, as shown and described.

DESCRIPTION

FIG. 1 is a perspective view of an LED lamp assembly showing our new design;

FIG. 2 is a front elevational view thereof;

FIG. 3 is a rear elevational view thereof;

FIG. 4 is a left-side, elevational view thereof;

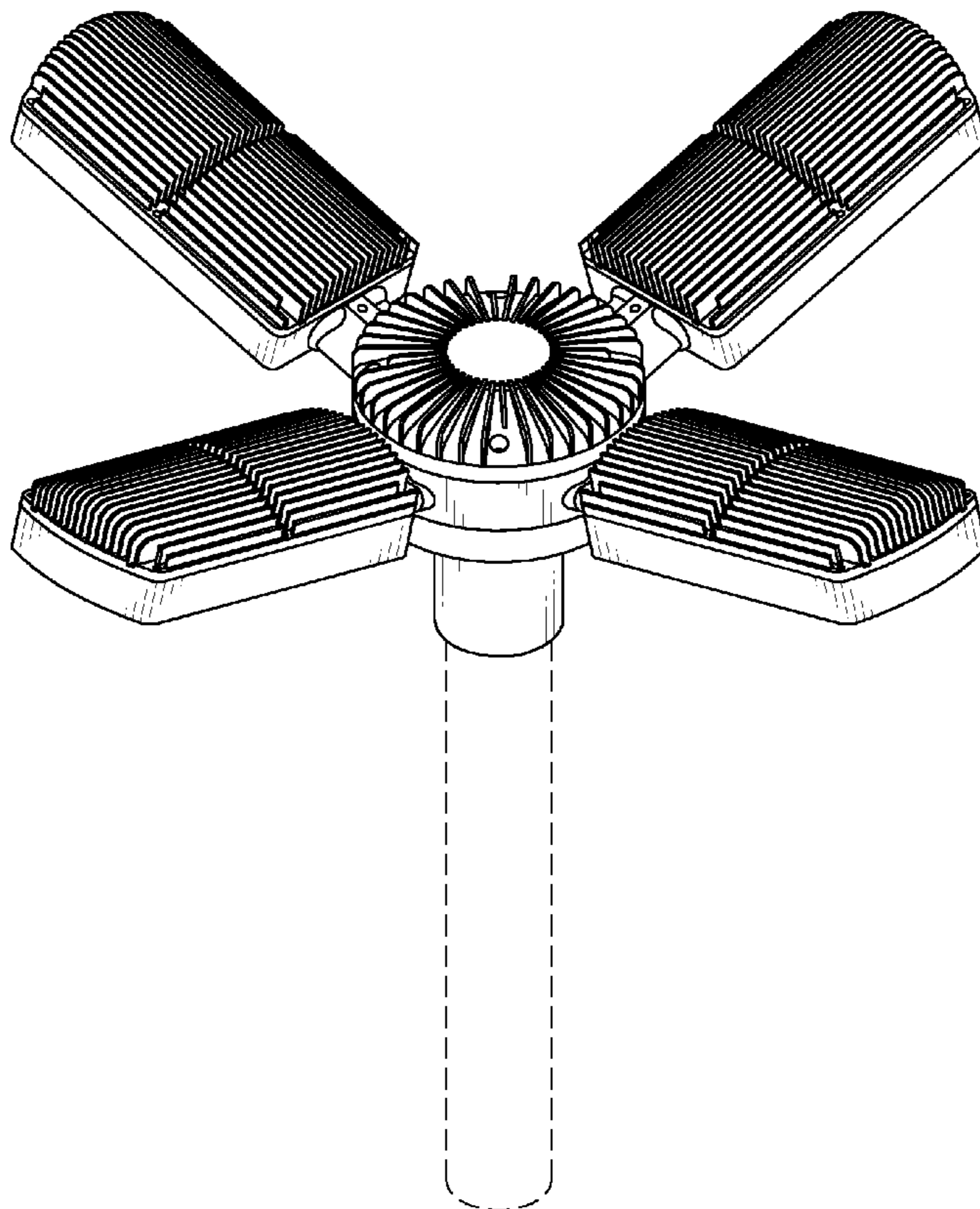
FIG. 5 is a right-side, elevational view thereof;

FIG. 6 is a top plan view thereof;

FIG. 7 is a bottom plan view thereof; and,

FIG. 8 is a perspective view of the LED lamp assembly of FIG. 1 mounted on a supporting rod, wherein the supporting rod is shown in broken lines for illustration only and forms no part of the claimed design.

1 Claim, 8 Drawing Sheets



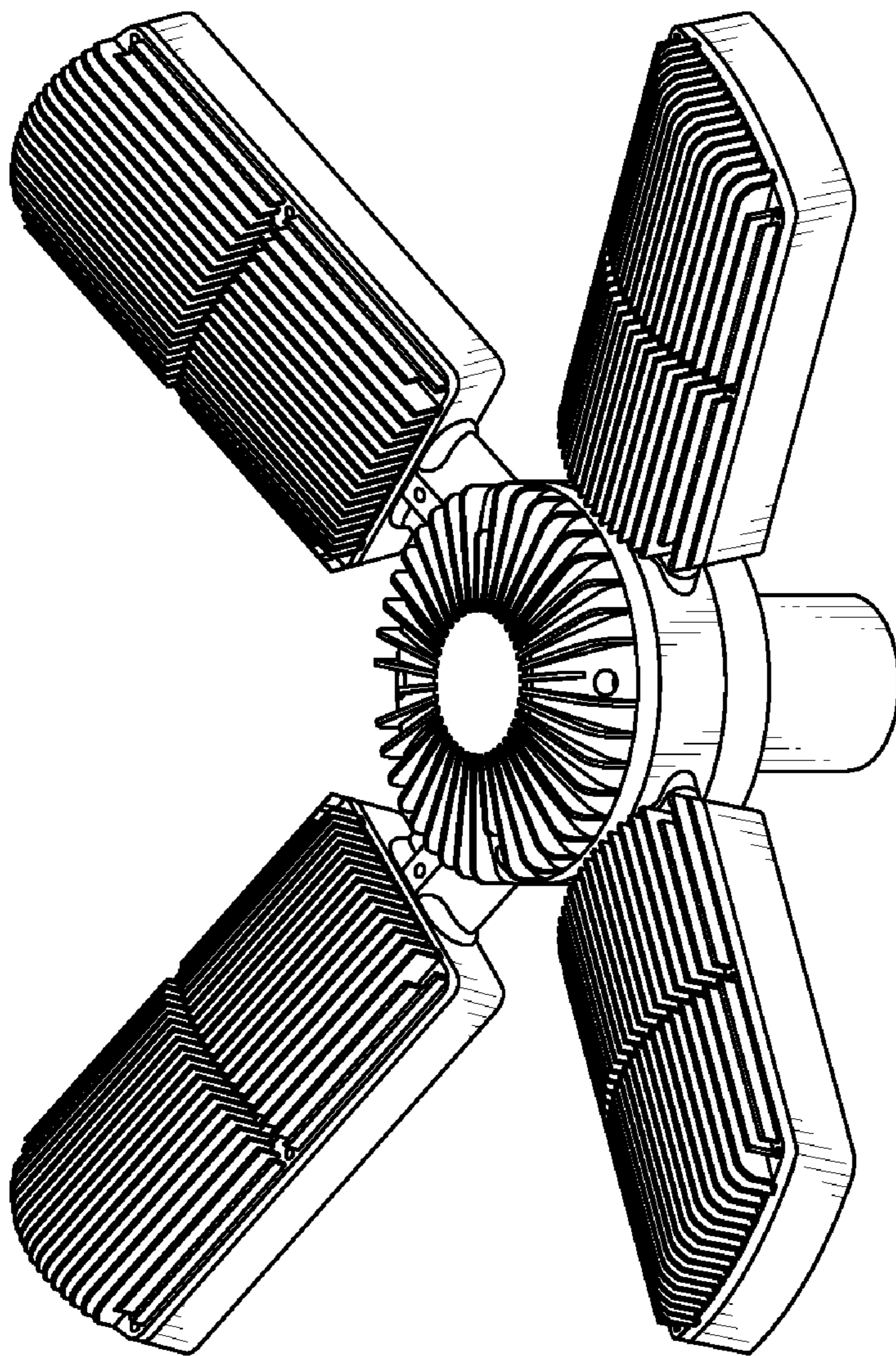


FIG. 1

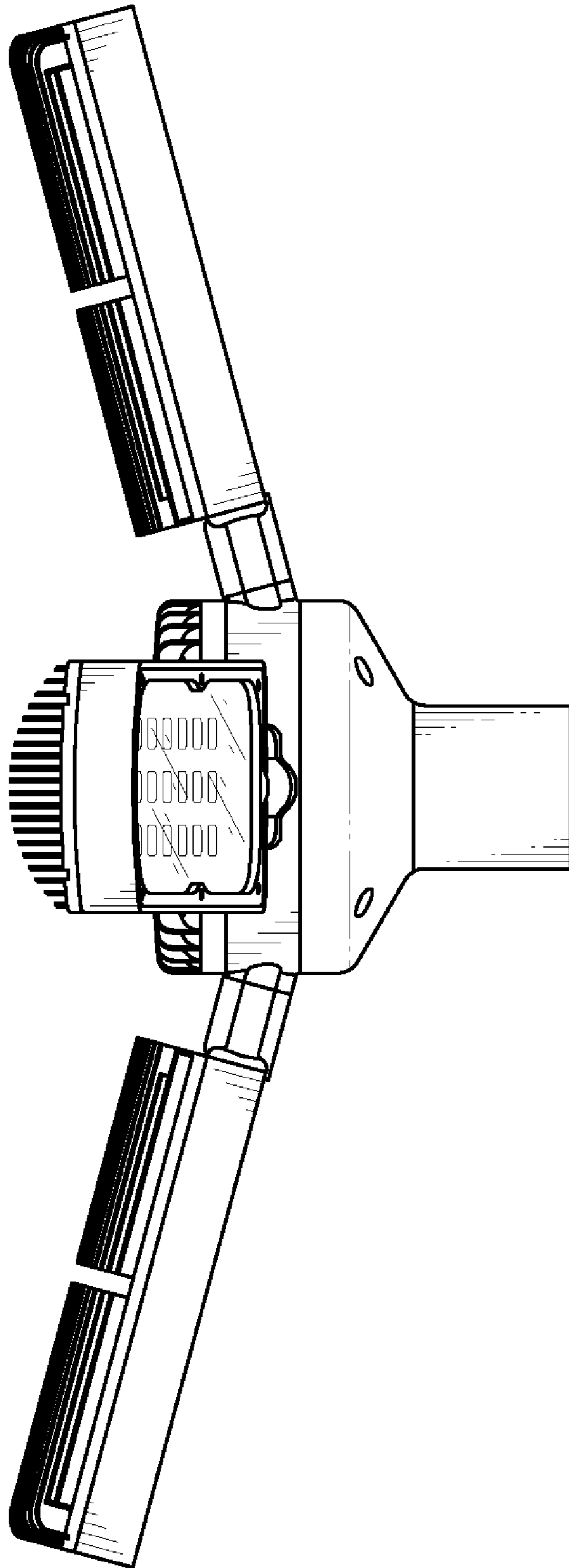


FIG. 2

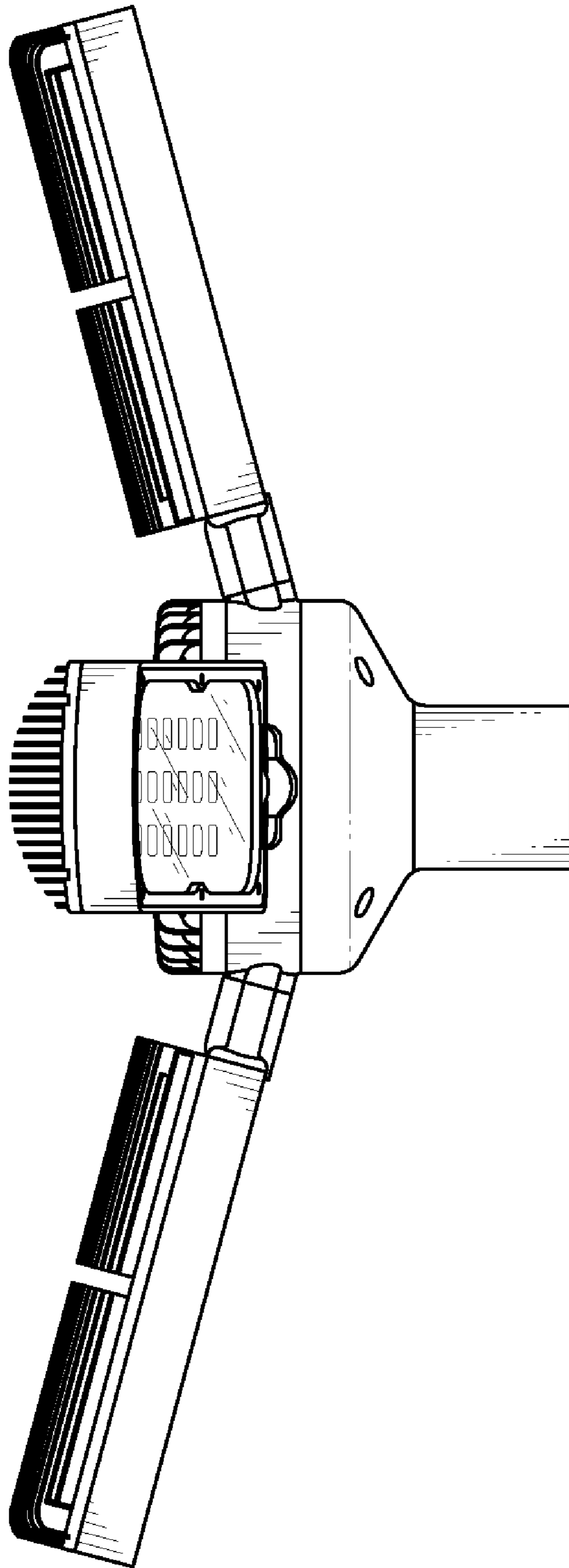


FIG. 3

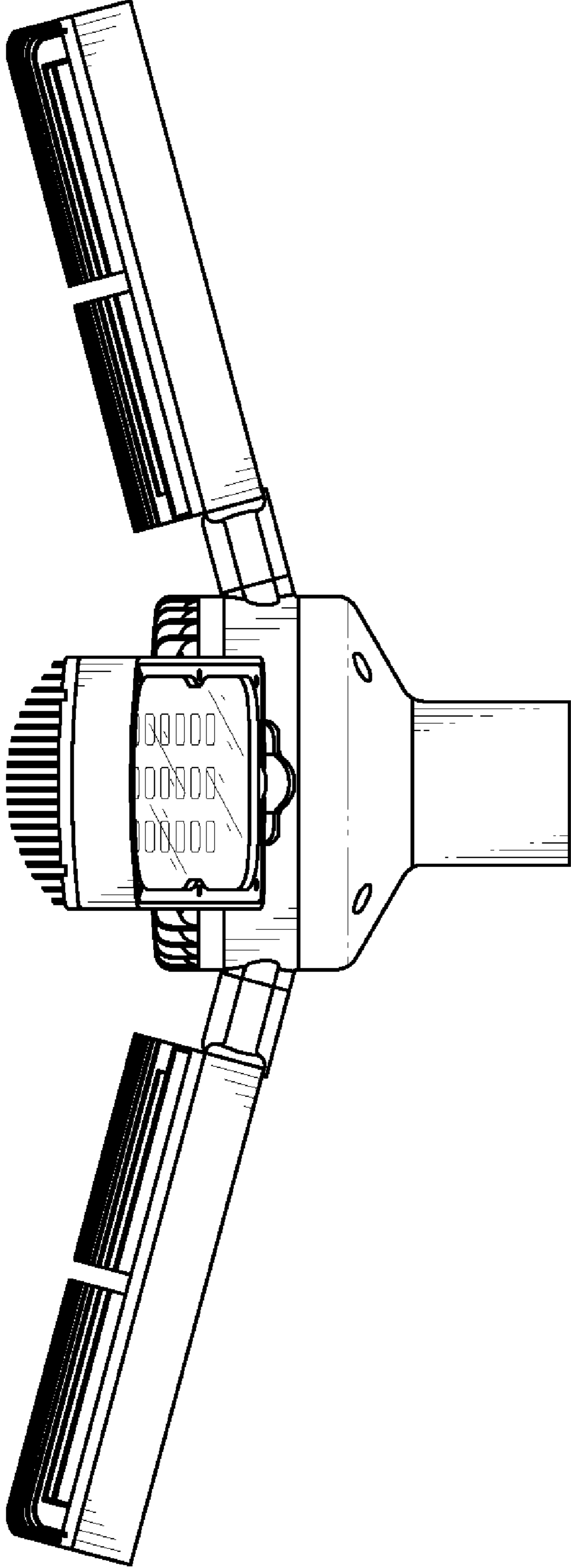


FIG. 4

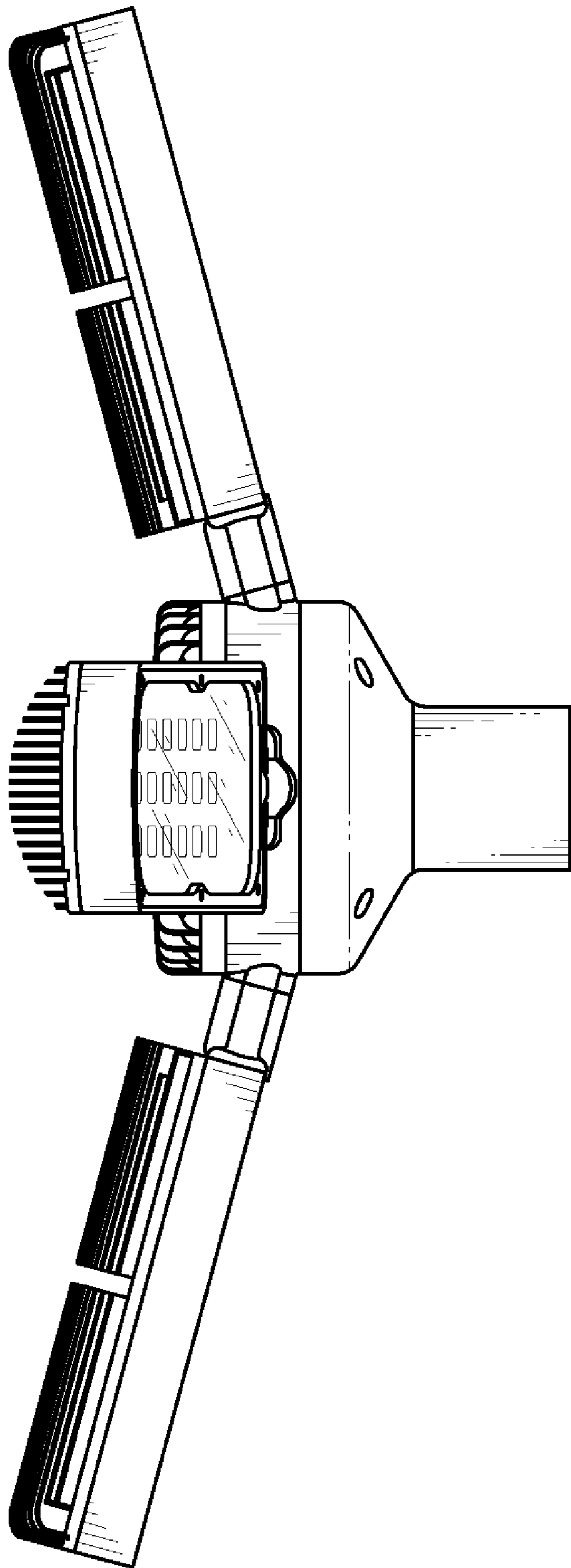


FIG. 5

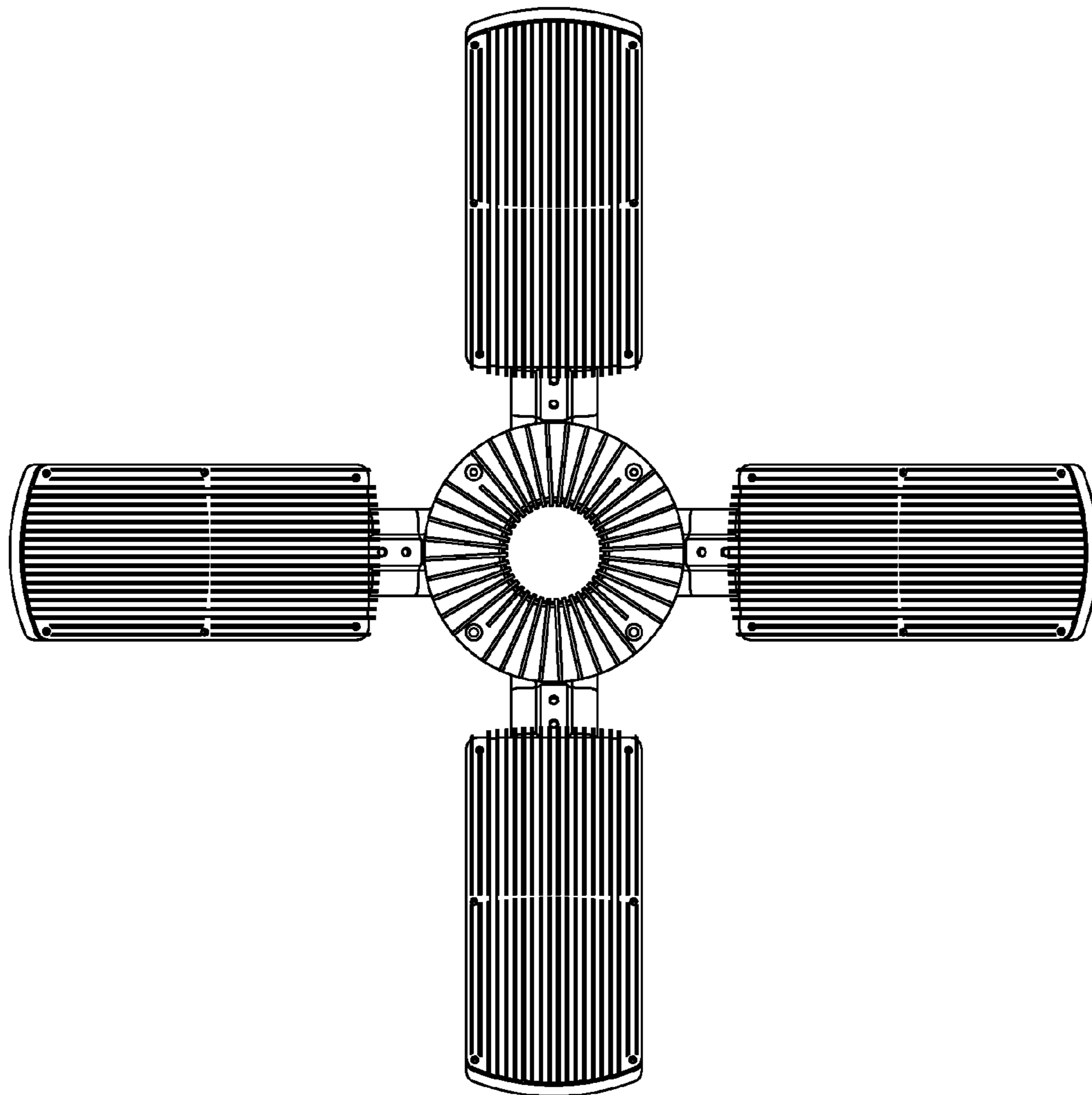


FIG. 6

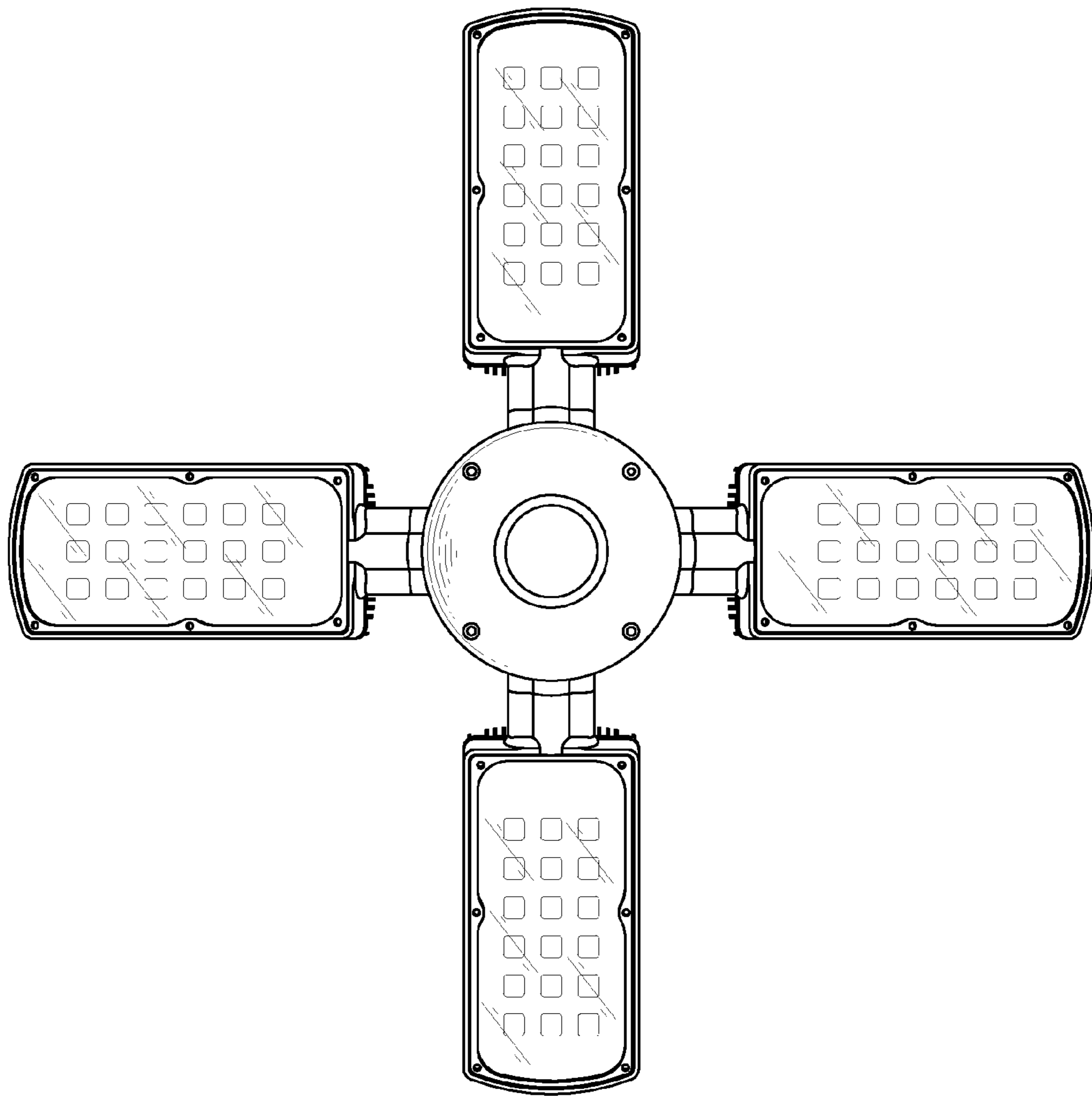


FIG. 7

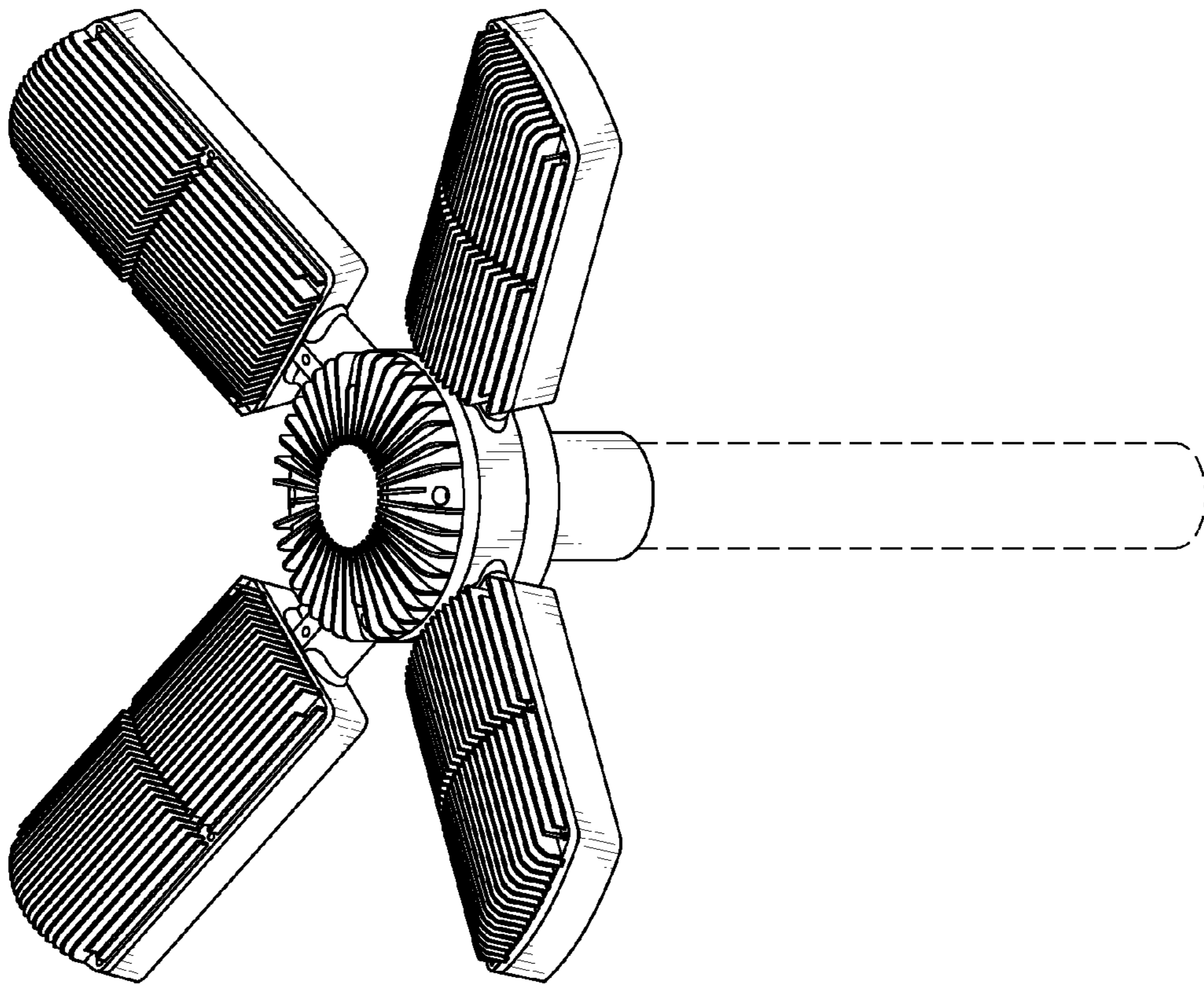


FIG. 8