



US00D578694S

(12) **United States Design Patent**
Zeng et al.

(10) **Patent No.:** **US D578,694 S**

(45) **Date of Patent:** **** Oct. 14, 2008**

(54) **LED LAMP**

(75) Inventors: **Jun-Hua Zeng**, Shenzhen (CN);
Yong-Dong Chen, Shenzhen (CN);
Shih-Hsun Wung, Taipei Hsien (TW)

(73) Assignee: **Foxconn Technology Co., Ltd.**,
Tu-Cheng, Taipei Hsien (TW)

(**) Term: **14 Years**

(21) Appl. No.: **29/304,119**

(22) Filed: **Feb. 26, 2008**

(51) **LOC (8) Cl.** **26-05**

(52) **U.S. Cl.** **D26/70; D26/67**

(58) **Field of Classification Search** D26/67-71,
D26/87, 92; 362/145, 249, 252, 431, 432
See application file for complete search history.

(56) **References Cited**

U.S. PATENT DOCUMENTS

D60,453 S * 2/1922 Gosling et al. D26/67
D200,118 S * 1/1965 Van Steenhoven D26/71
D441,115 S * 4/2001 Ewing D26/68

D504,536 S * 4/2005 Emory et al. D26/67
D529,218 S * 9/2006 Wen D26/68
D529,653 S * 10/2006 Galipeau et al. D26/67
D553,779 S * 10/2007 Butler D26/67
D554,791 S * 11/2007 Galipeau et al. D26/67

* cited by examiner

Primary Examiner—Clare E Heflin

(74) *Attorney, Agent, or Firm*—Frank R. Niranjana

(57) **CLAIM**

The ornamental design for an LED lamp, as shown.

DESCRIPTION

FIG. 1 is a perspective view of an LED lamp showing our new design;

FIG. 2 is a front elevational view thereof;

FIG. 3 is a rear elevational view thereof;

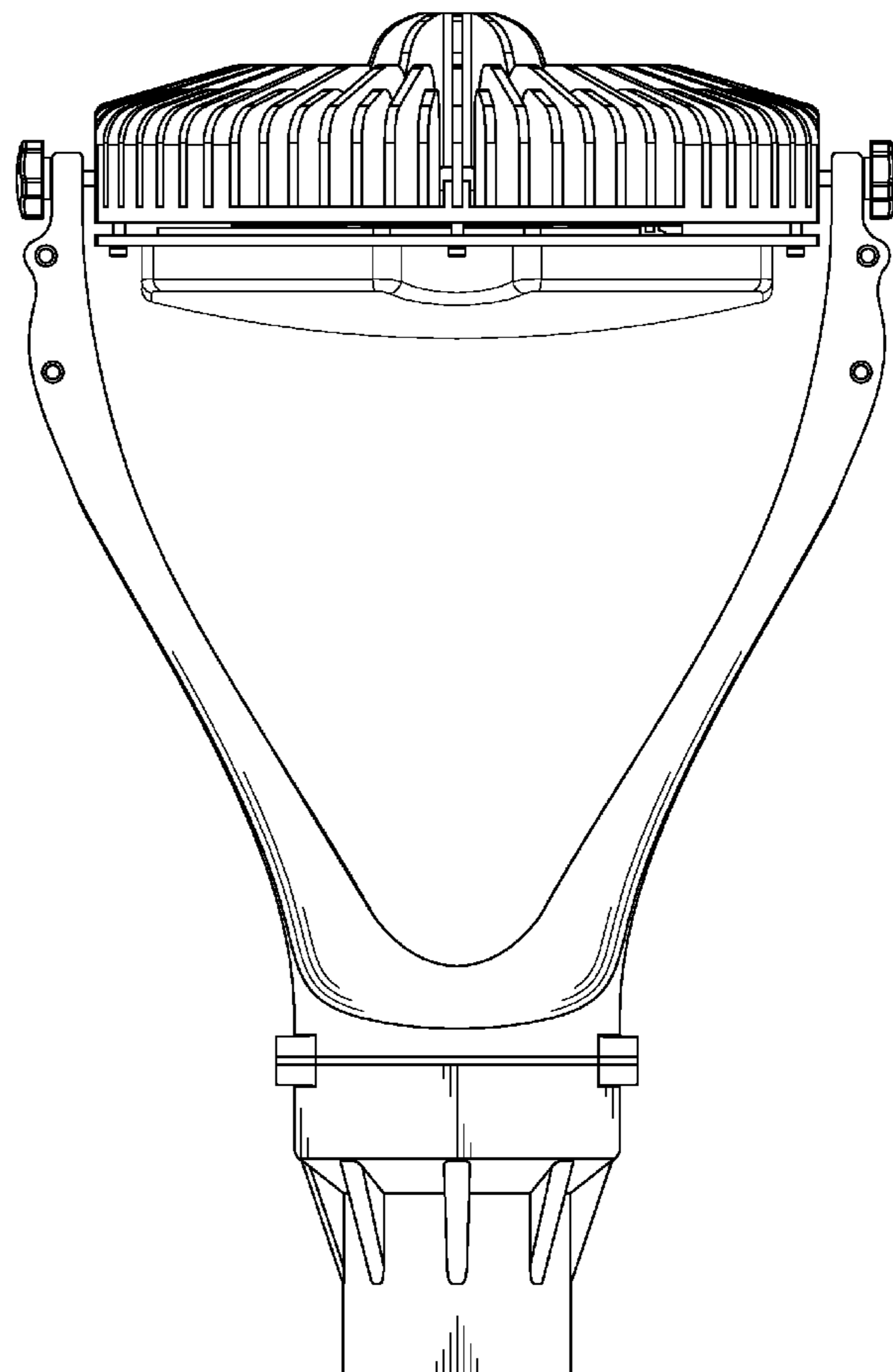
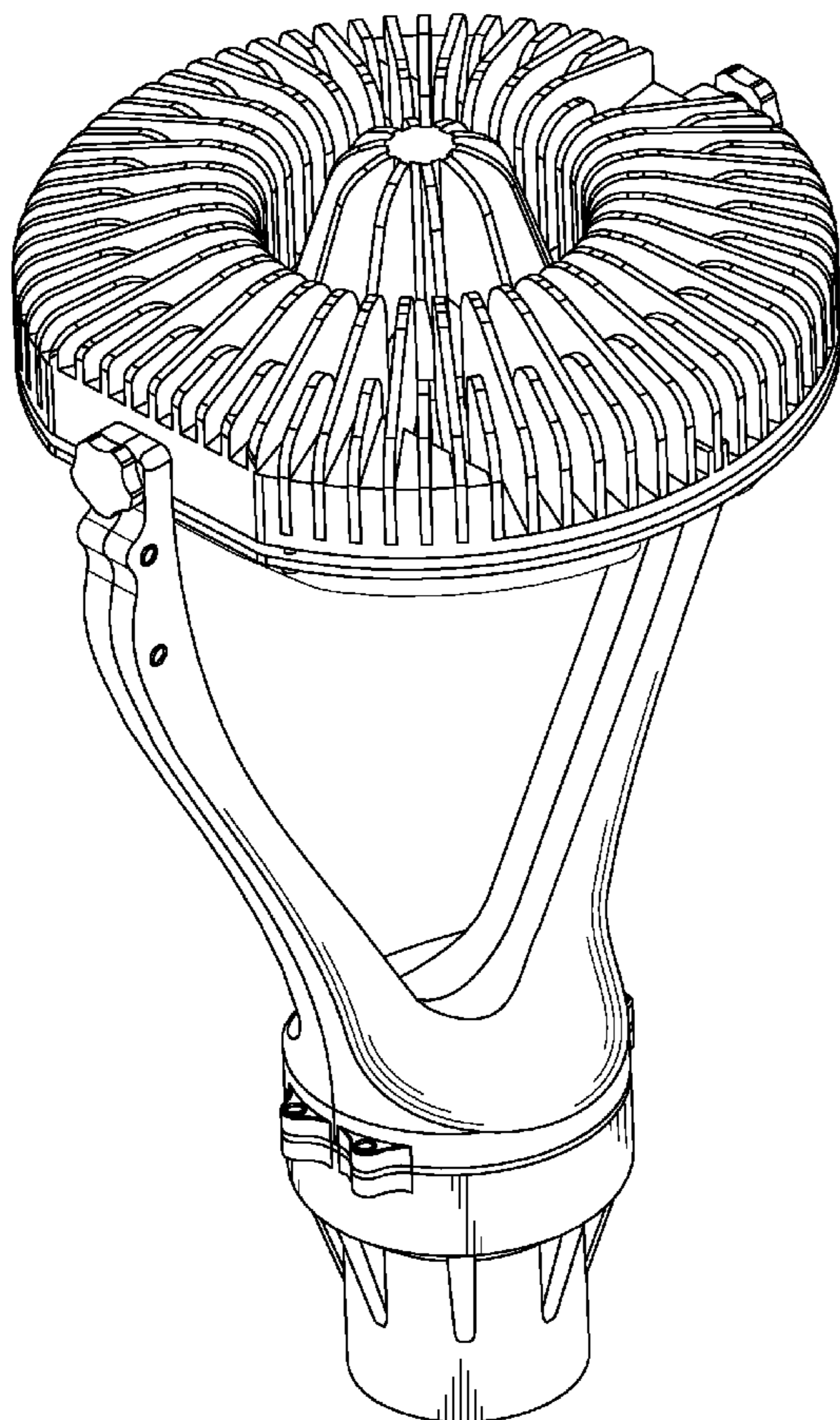
FIG. 4 is a left-side, elevational view thereof;

FIG. 5 is a right-side, elevational view thereof;

FIG. 6 is a top plan view thereof; and,

FIG. 7 is a bottom plan view thereof.

1 Claim, 7 Drawing Sheets



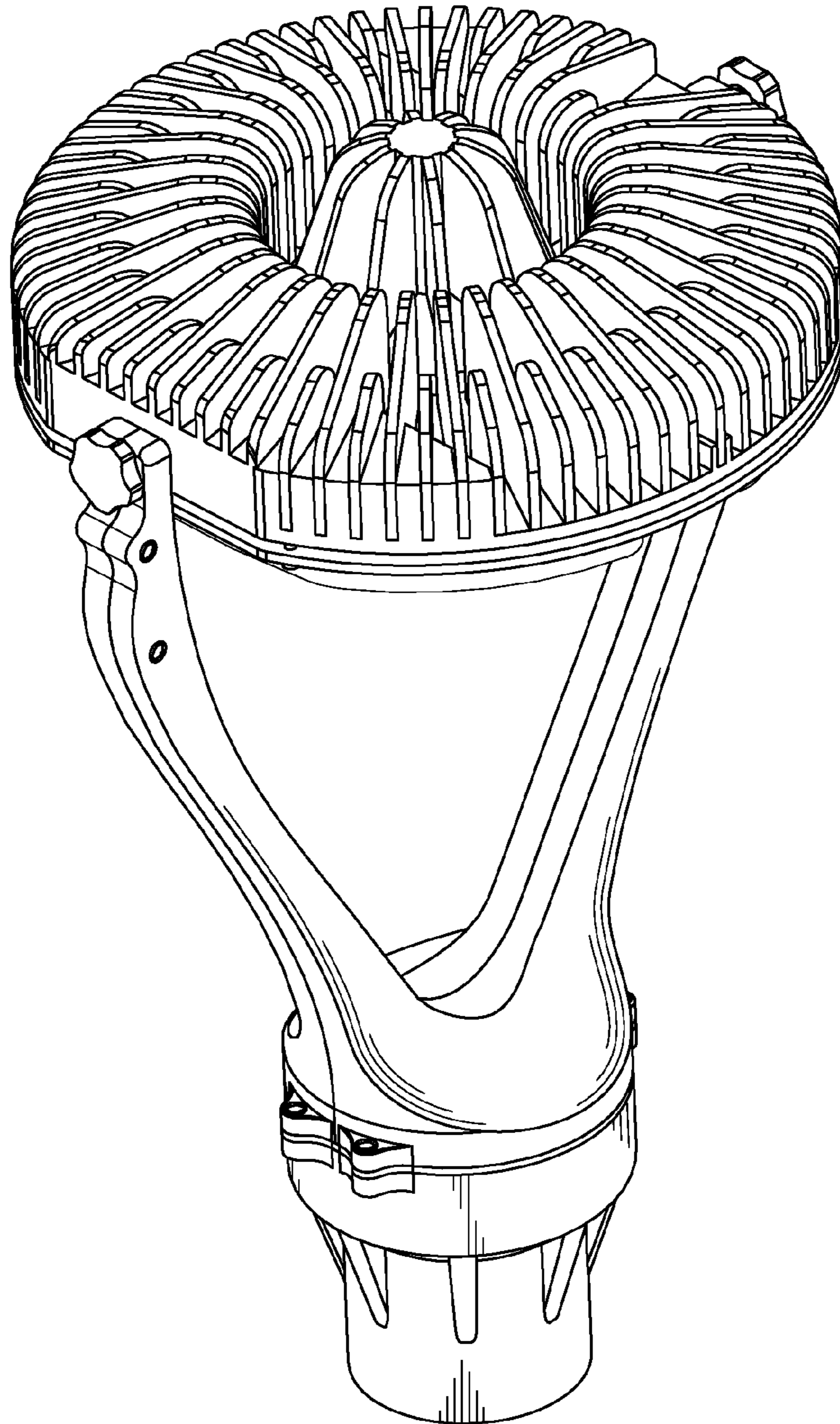


FIG. 1

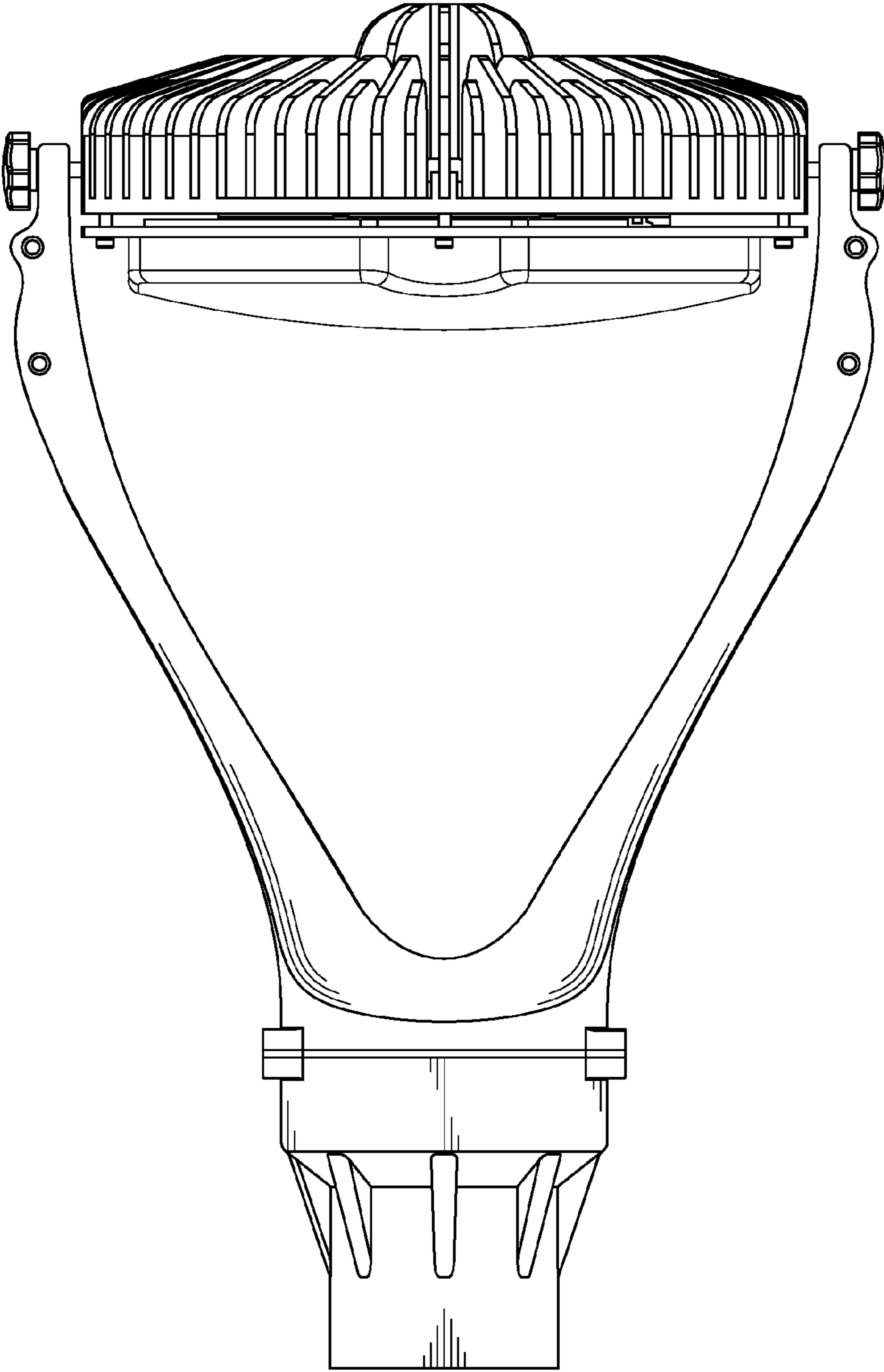


FIG. 2

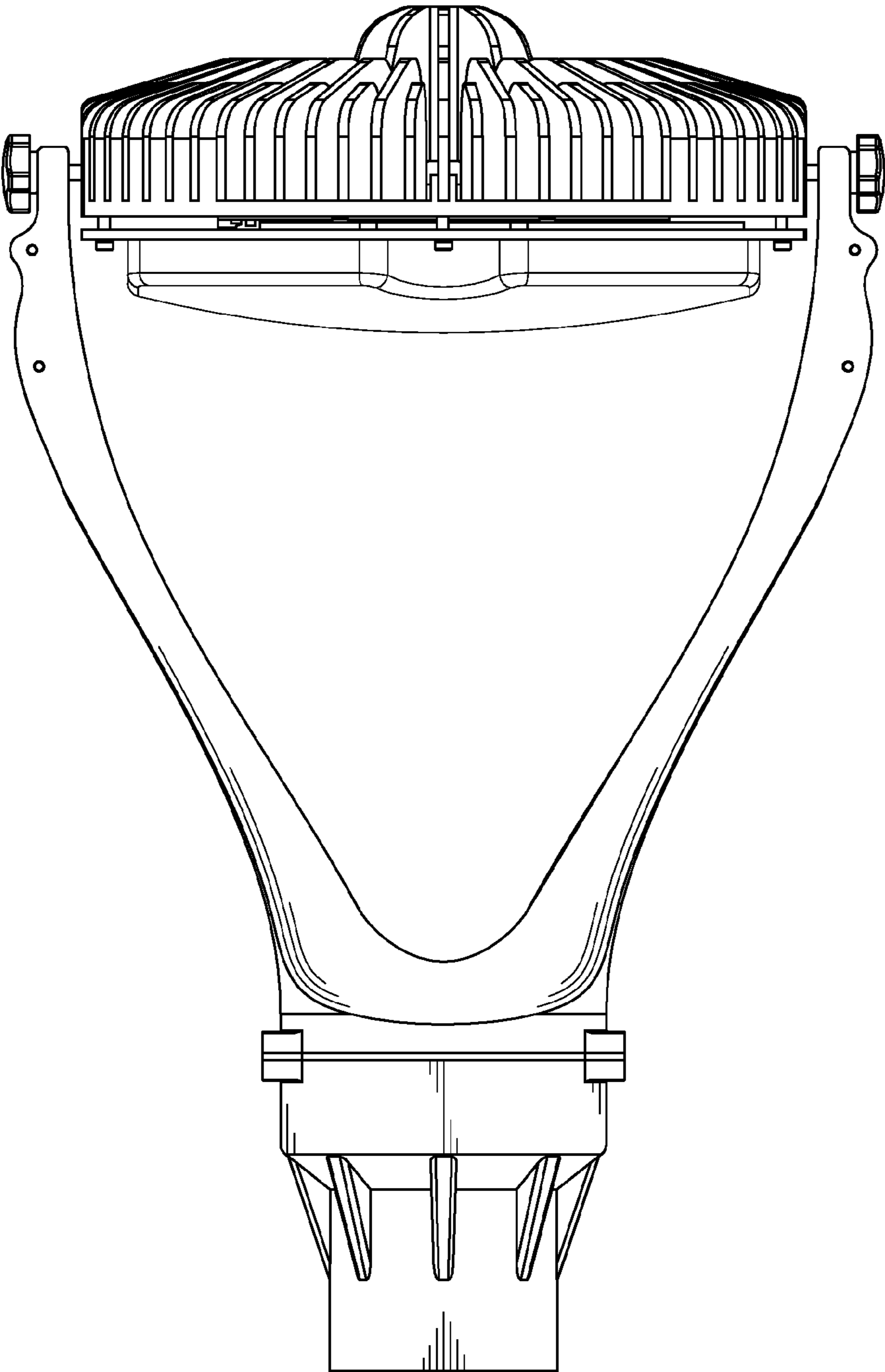


FIG. 3

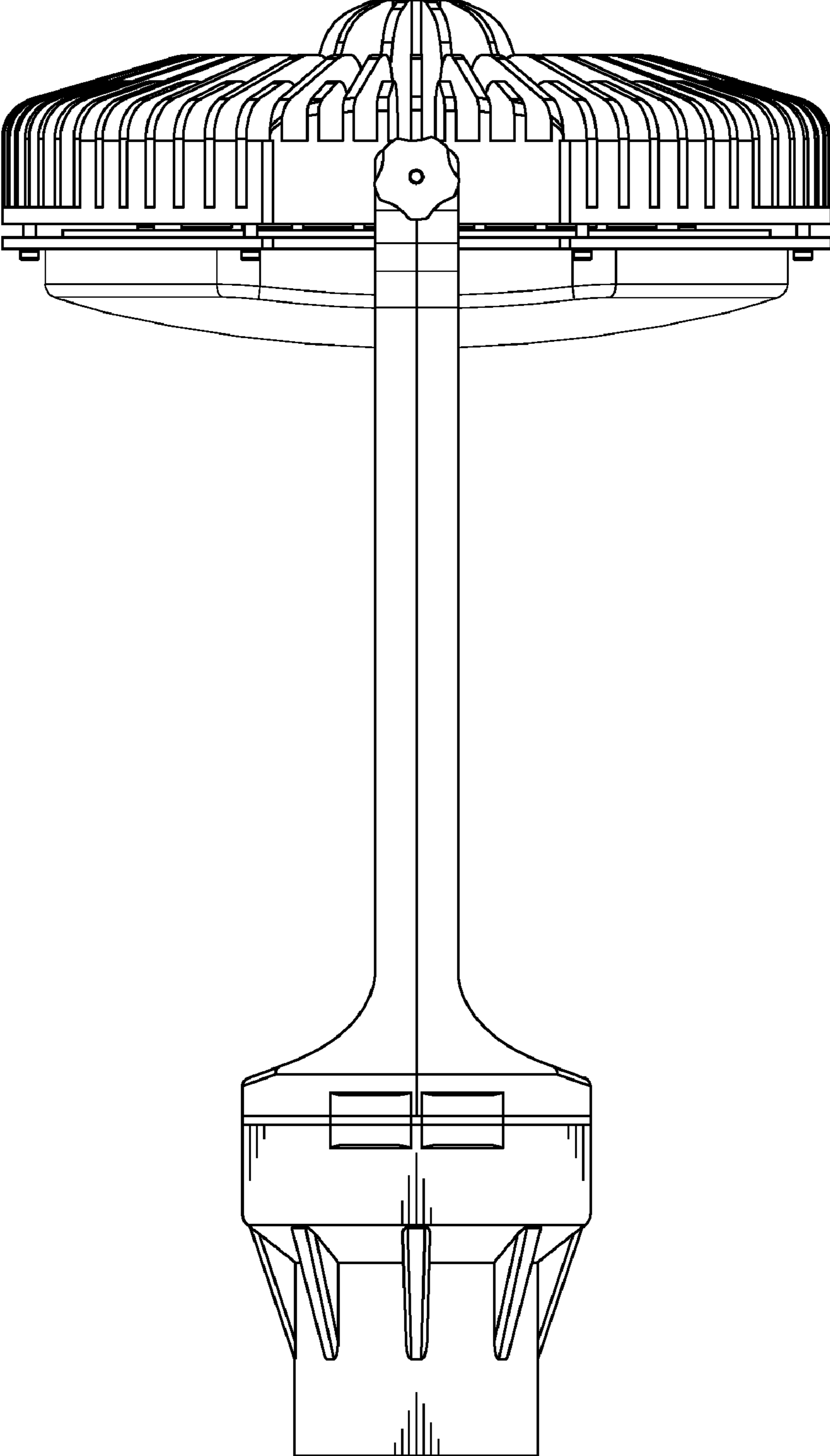


FIG. 4

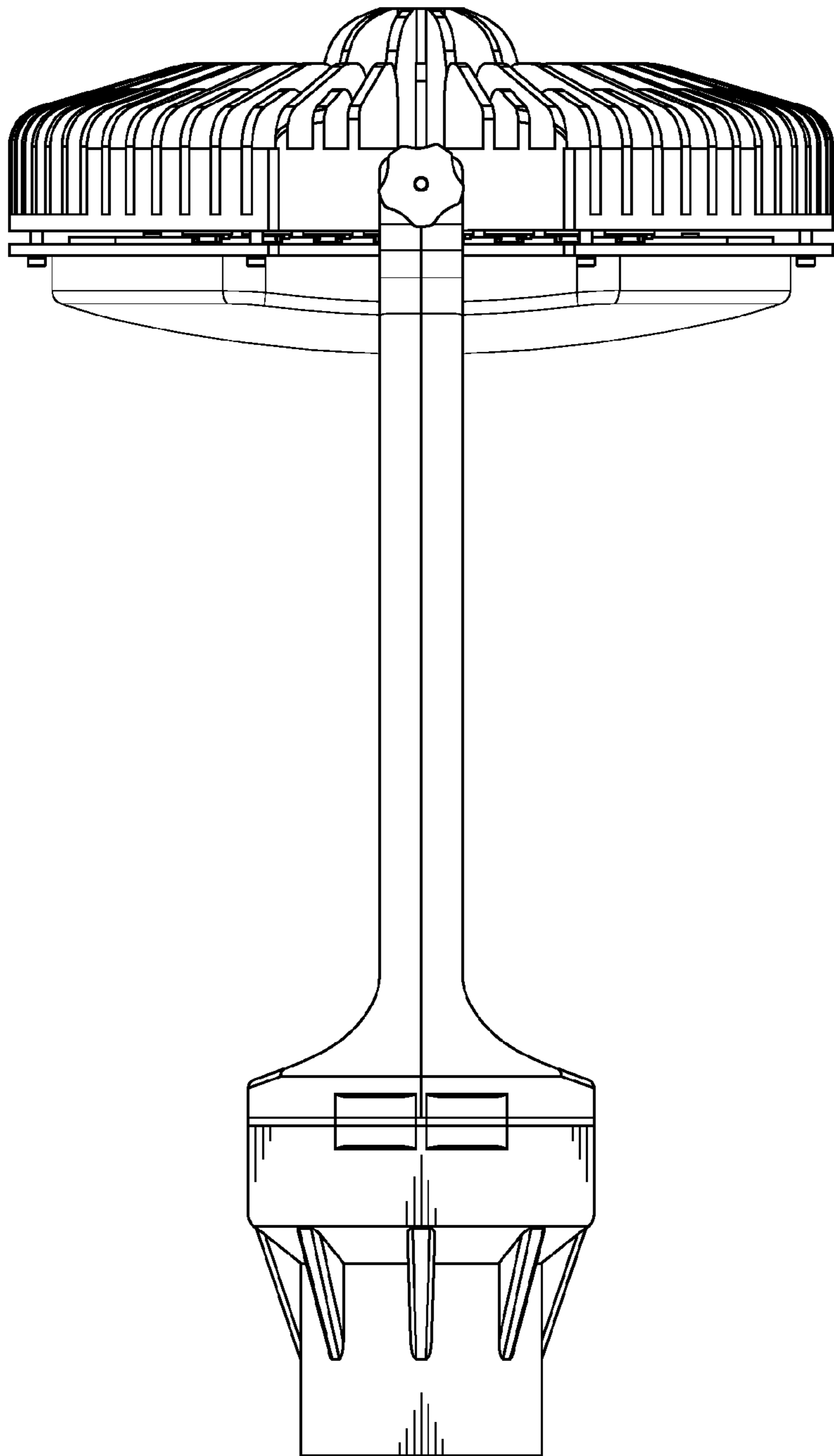


FIG. 5

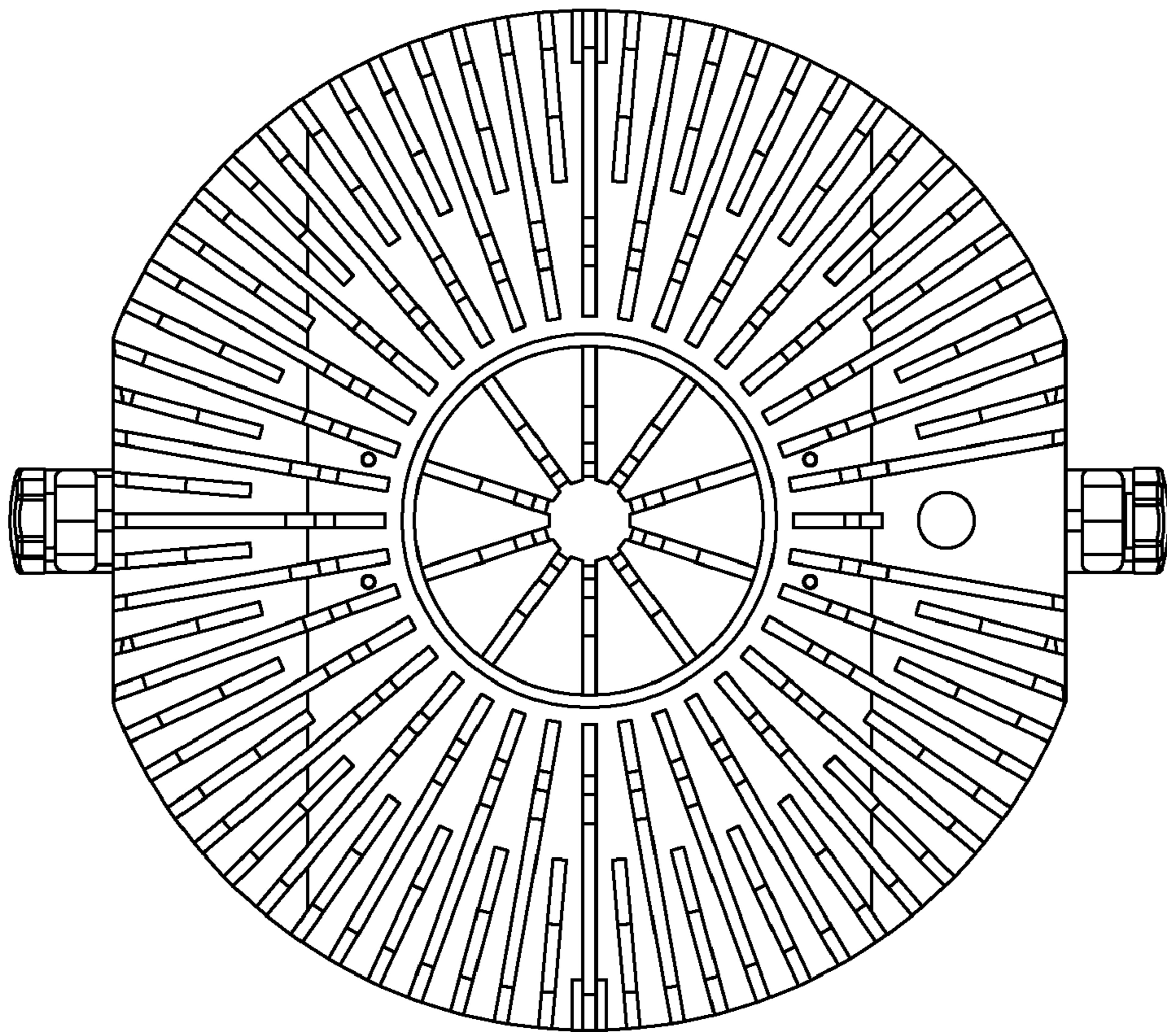


FIG. 6

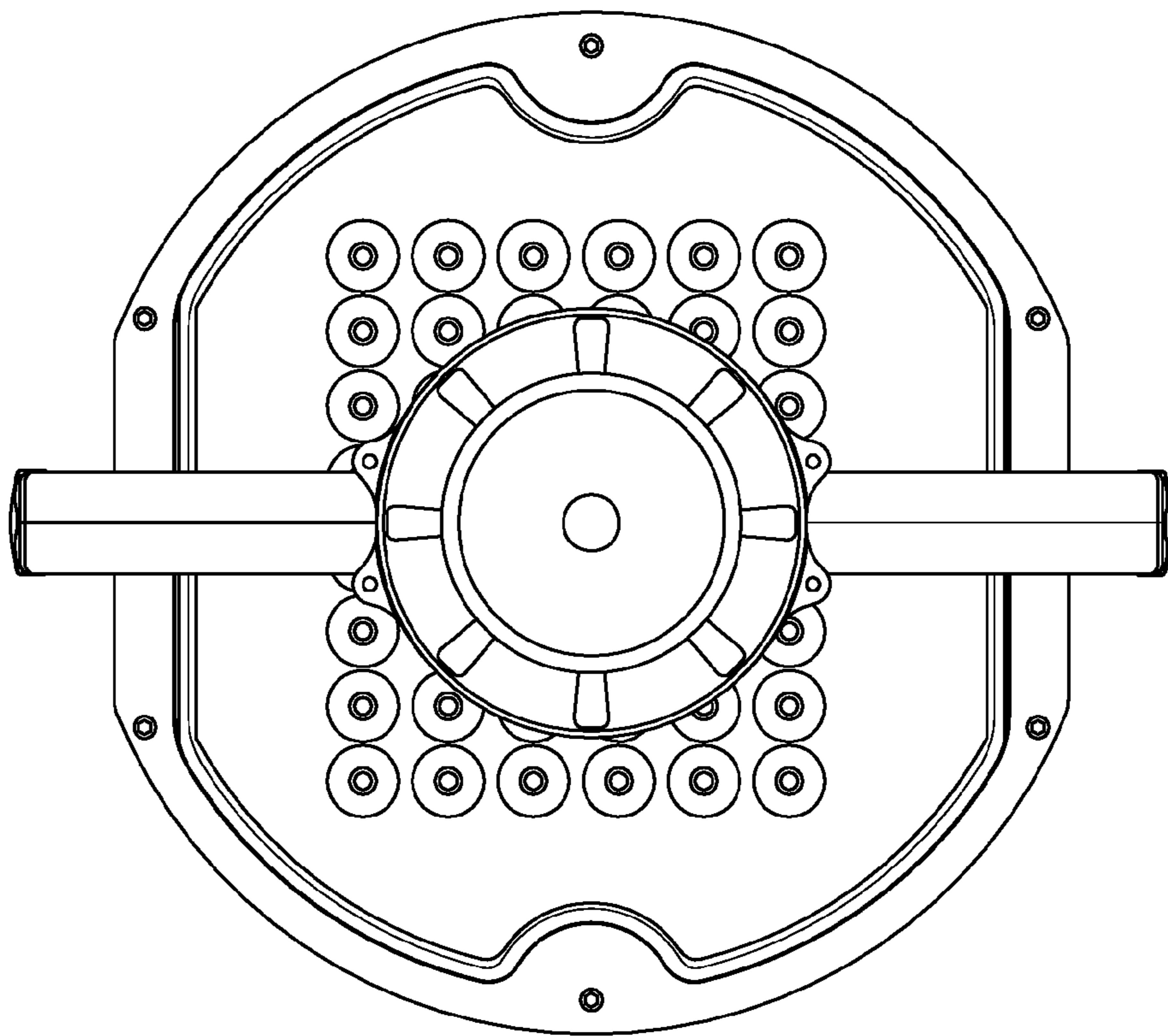


FIG. 7