



US00D578693S

(12) **United States Design Patent**
Liu et al.

(10) **Patent No.:** **US D578,693 S**
(45) **Date of Patent:** **** Oct. 14, 2008**

(54) **LED LAMP**

(75) Inventors: **You-Xue Liu**, Shenzhen (CN); **Li He**,
Shenzhen (CN)

(73) Assignee: **Foxconn Technology Co., Ltd.**,
Tu-Cheng, Taipei Hsien (TW)

(**) Term: **14 Years**

(21) Appl. No.: **29/304,118**

(22) Filed: **Feb. 26, 2008**

(51) **LOC (8) Cl.** **26-05**

(52) **U.S. Cl.** **D26/67**

(58) **Field of Classification Search** D26/67-71,
D26/87, 92; 362/145, 249, 252, 431, 432
See application file for complete search history.

(56) **References Cited**

U.S. PATENT DOCUMENTS

| | | | | |
|---------------|---------|----------------|-------|---------|
| D98,394 S * | 1/1936 | Gosling | | D26/67 |
| D102,553 S * | 12/1936 | Gosling | | D26/67 |
| D190,922 S * | 7/1961 | Anthony | | D26/67 |
| D200,118 S * | 1/1965 | van Steenhoven | | D26/71 |
| 3,390,263 A * | 6/1968 | Lipscomb | | 362/343 |

| | | | | |
|----------------|---------|--------------|-------|---------|
| D464,456 S * | 10/2002 | Chang | | D26/67 |
| 6,494,599 B1 * | 12/2002 | Leen | | 362/362 |
| D468,853 S * | 1/2003 | Chang | | D26/67 |
| D504,746 S * | 5/2005 | Lee | | D26/67 |
| D565,773 S * | 4/2008 | Chung et al. | | D26/67 |

* cited by examiner

Primary Examiner—Clare E Heflin

(74) *Attorney, Agent, or Firm*—Frank R. Niranjana

(57) **CLAIM**

The ornamental design for an LED lamp, as shown.

DESCRIPTION

FIG. 1 is a perspective view of an LED lamp showing our new design;

FIG. 2 is a front elevational view thereof;

FIG. 3 is a rear elevational view thereof;

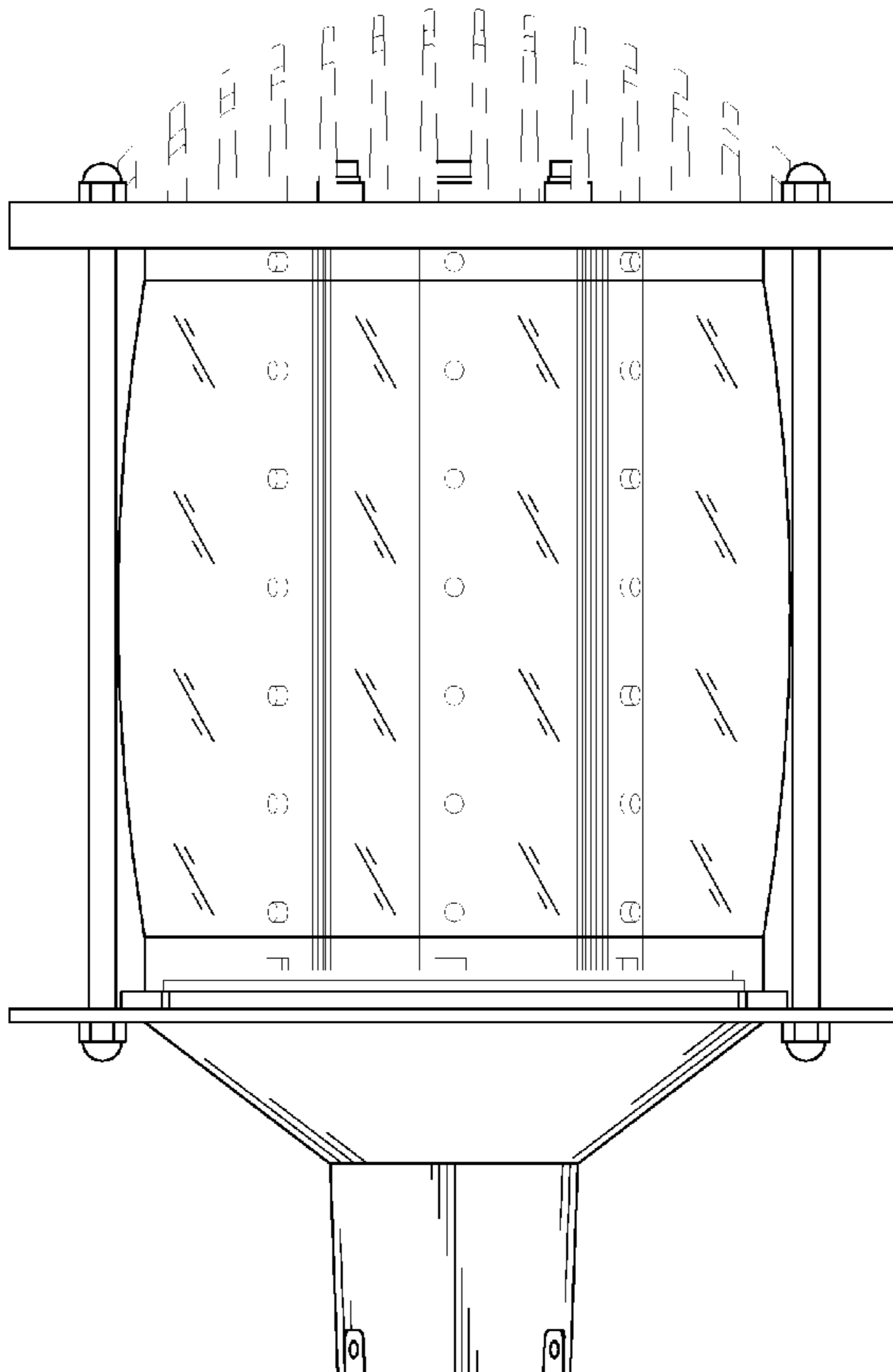
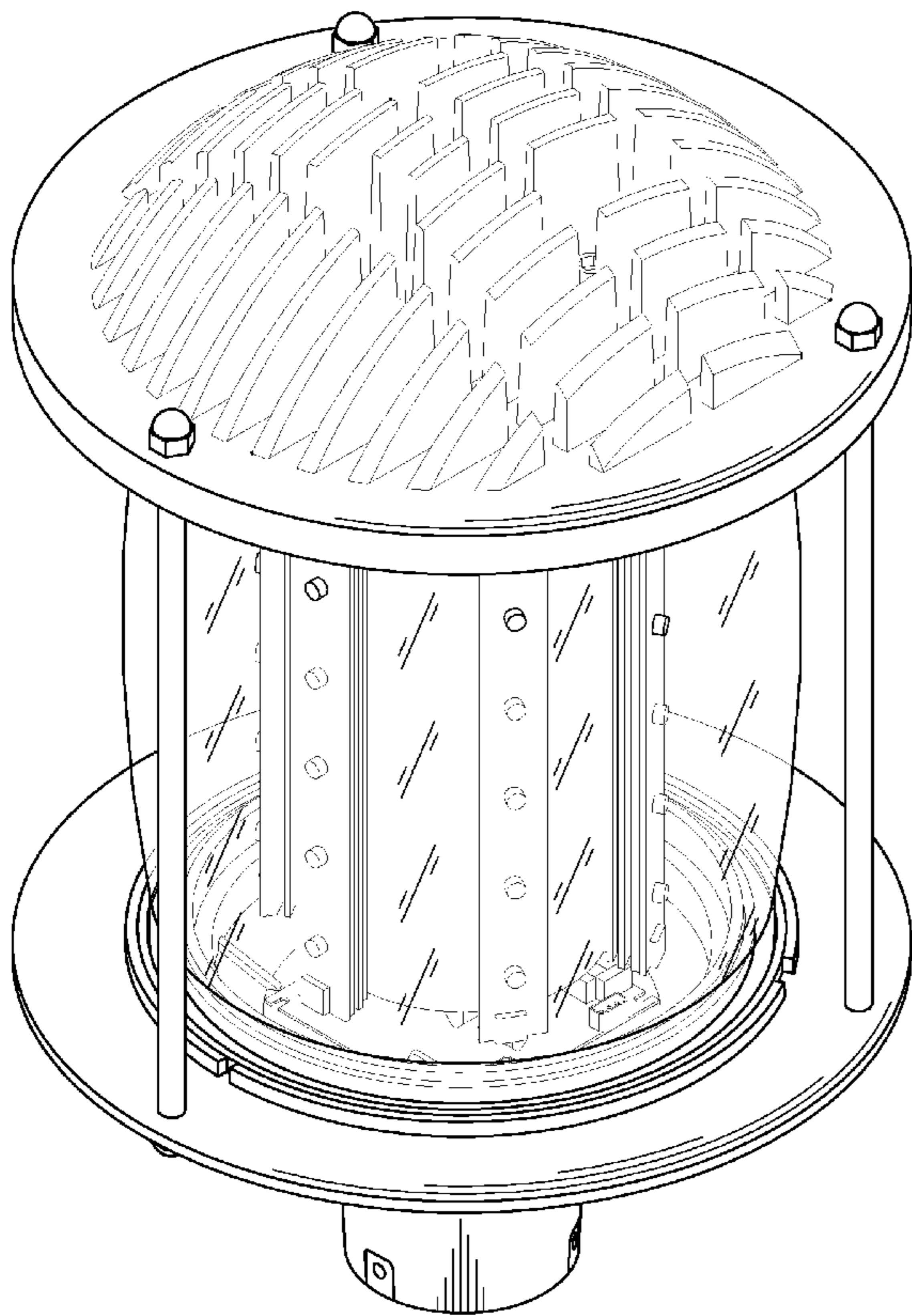
FIG. 4 is a left-side, elevational view thereof;

FIG. 5 is a right-side, elevational view thereof;

FIG. 6 is a top plan view thereof; and,

FIG. 7 is a bottom plan view thereof.

1 Claim, 7 Drawing Sheets



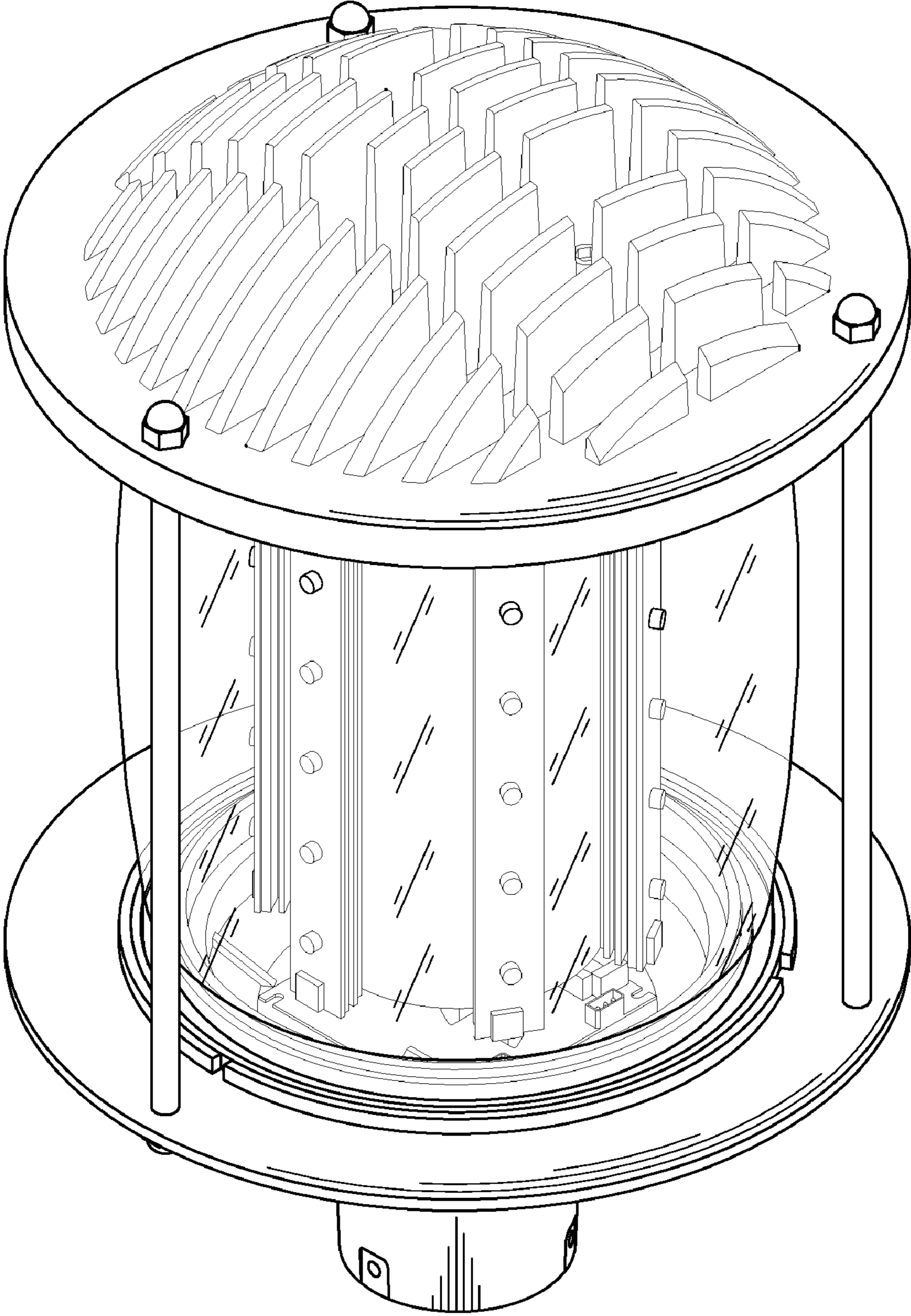


FIG. 1

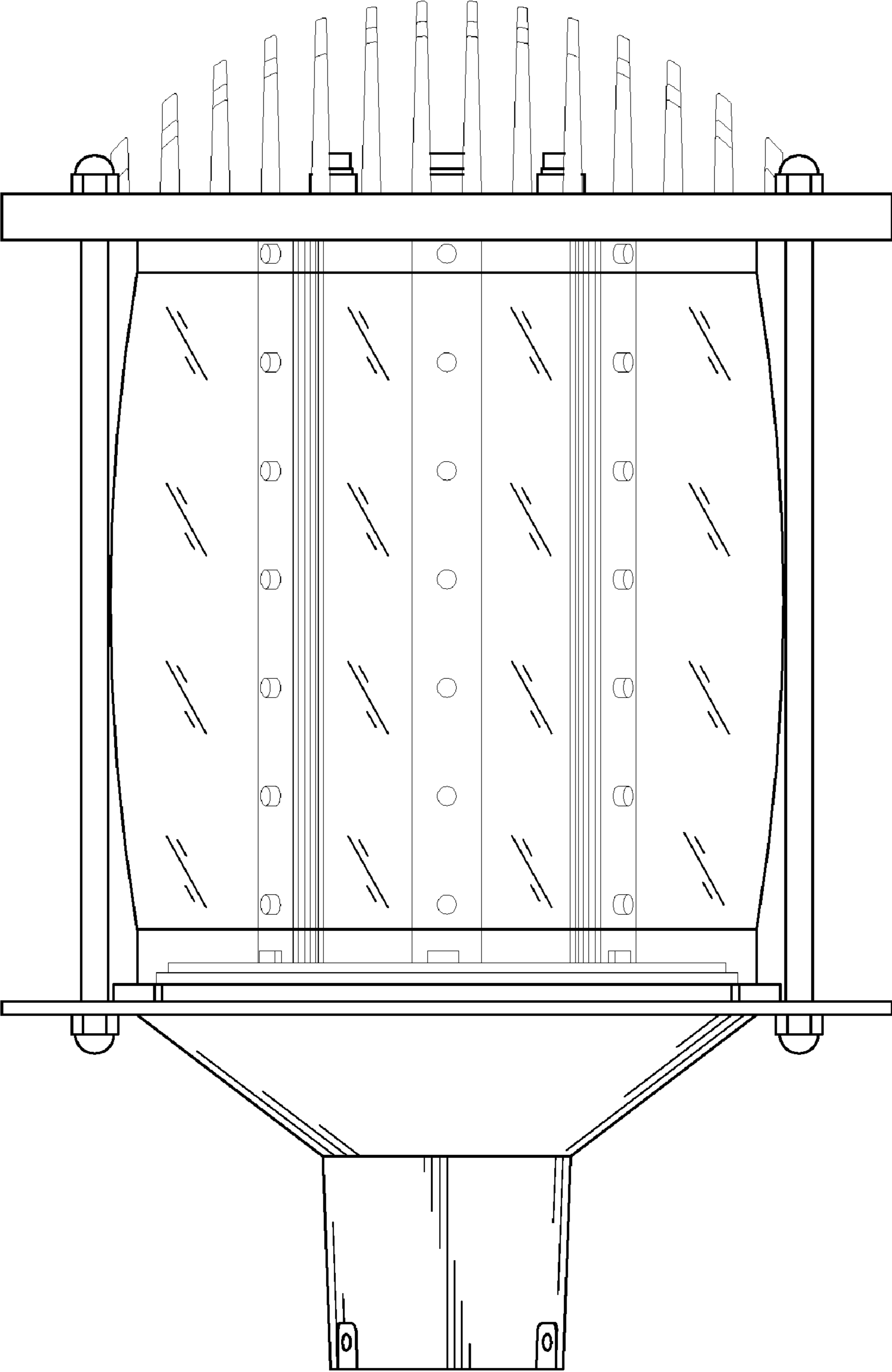


FIG. 2

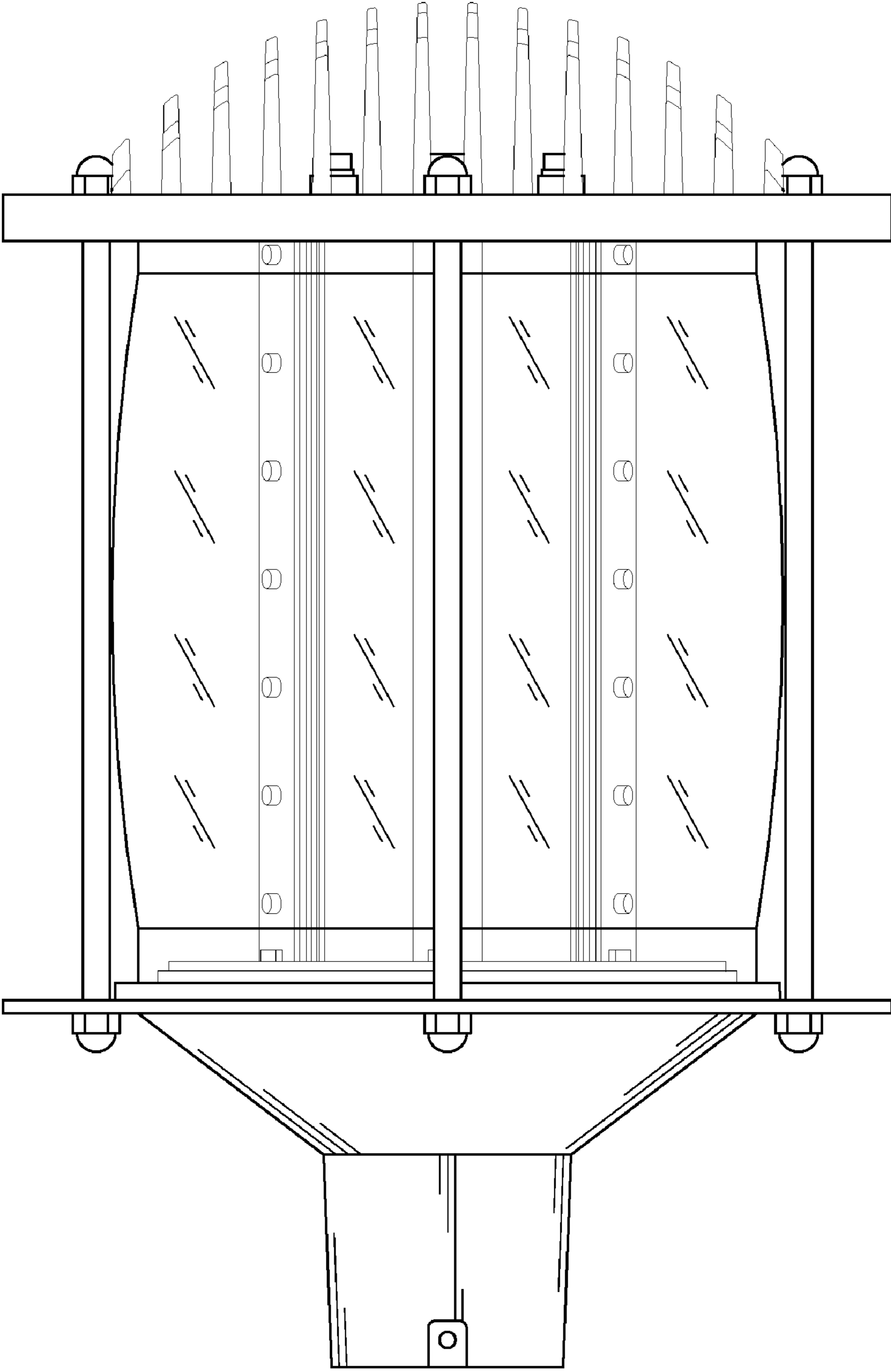


FIG. 3

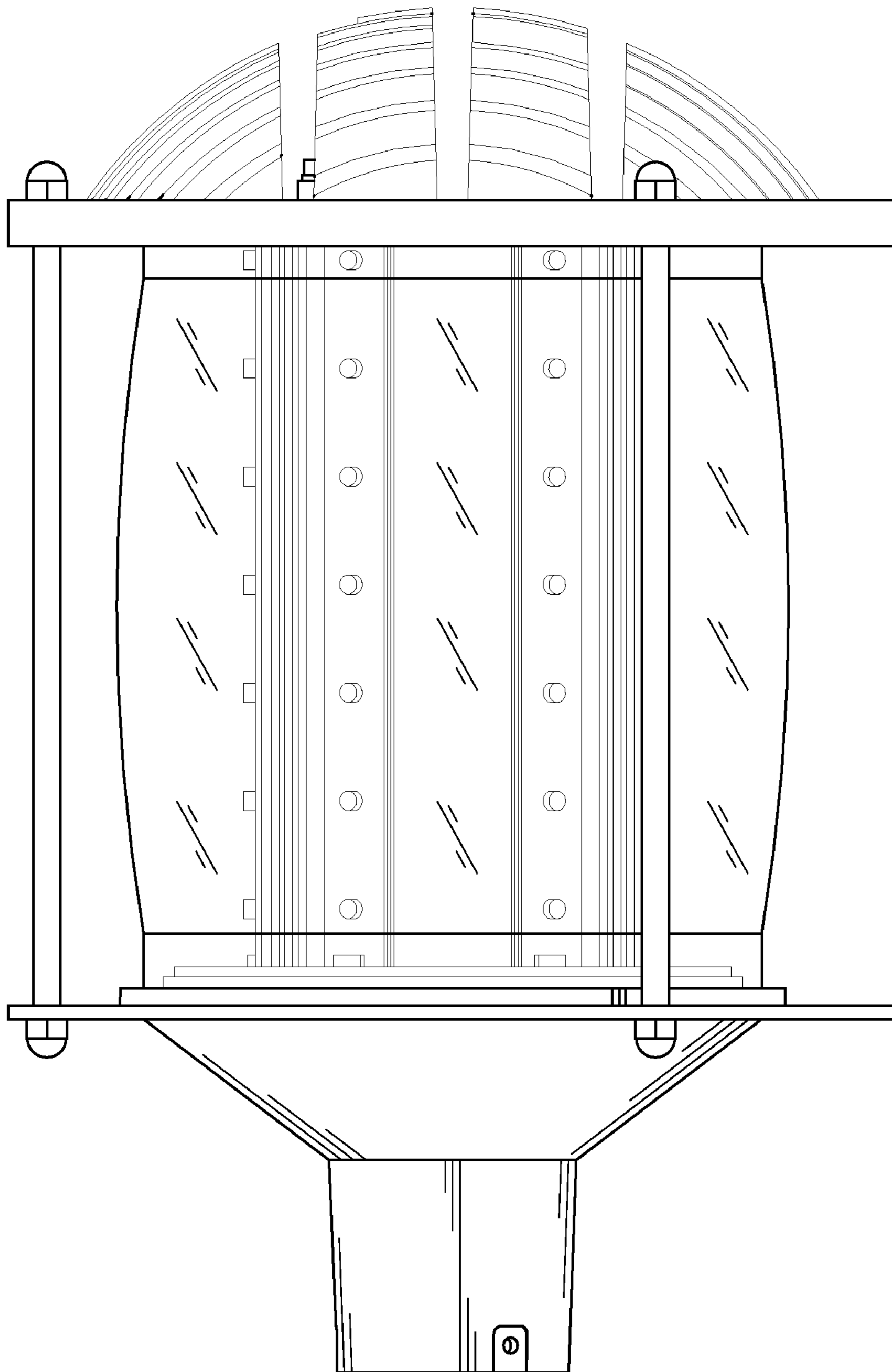


FIG. 4

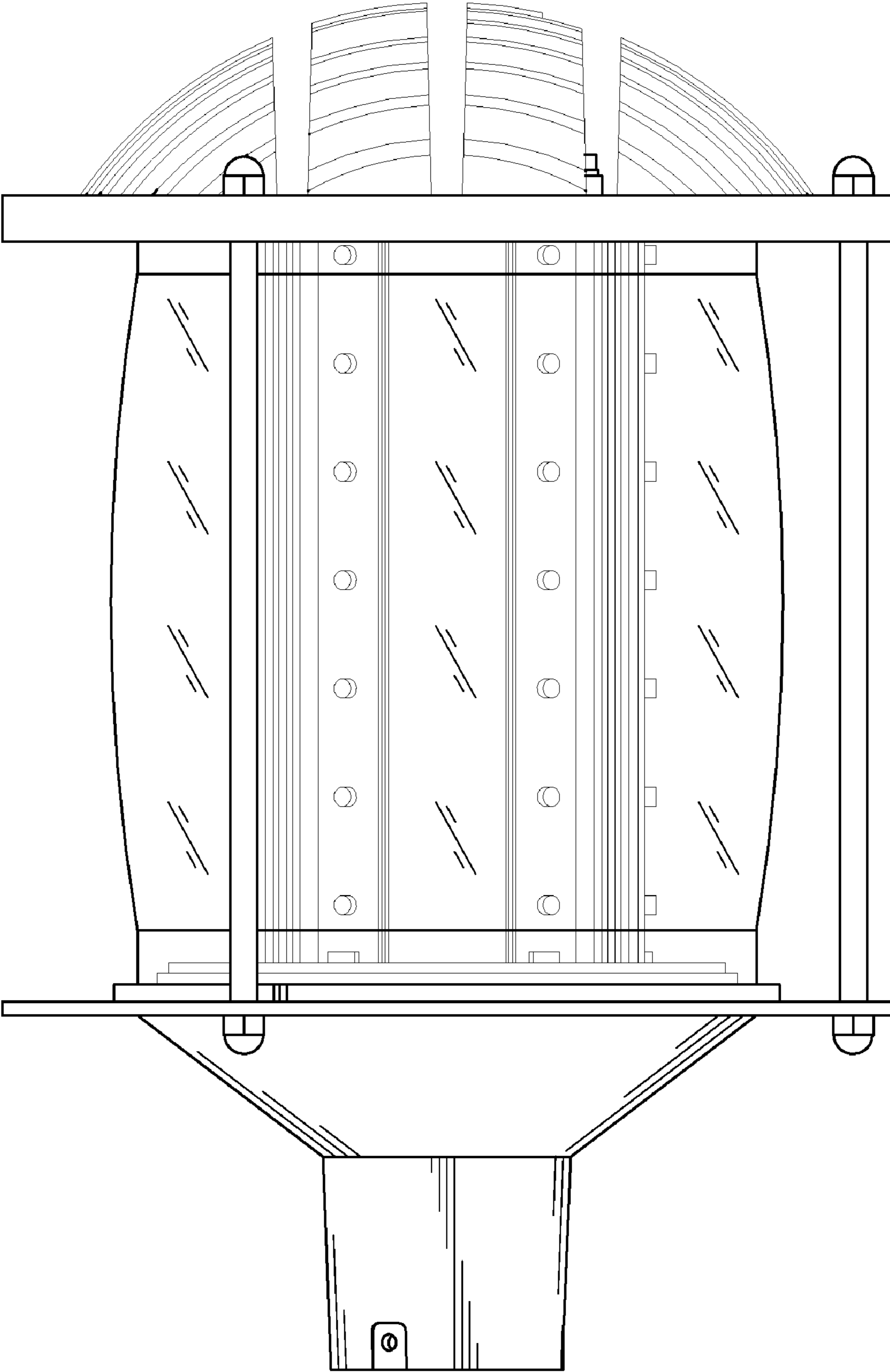


FIG. 5

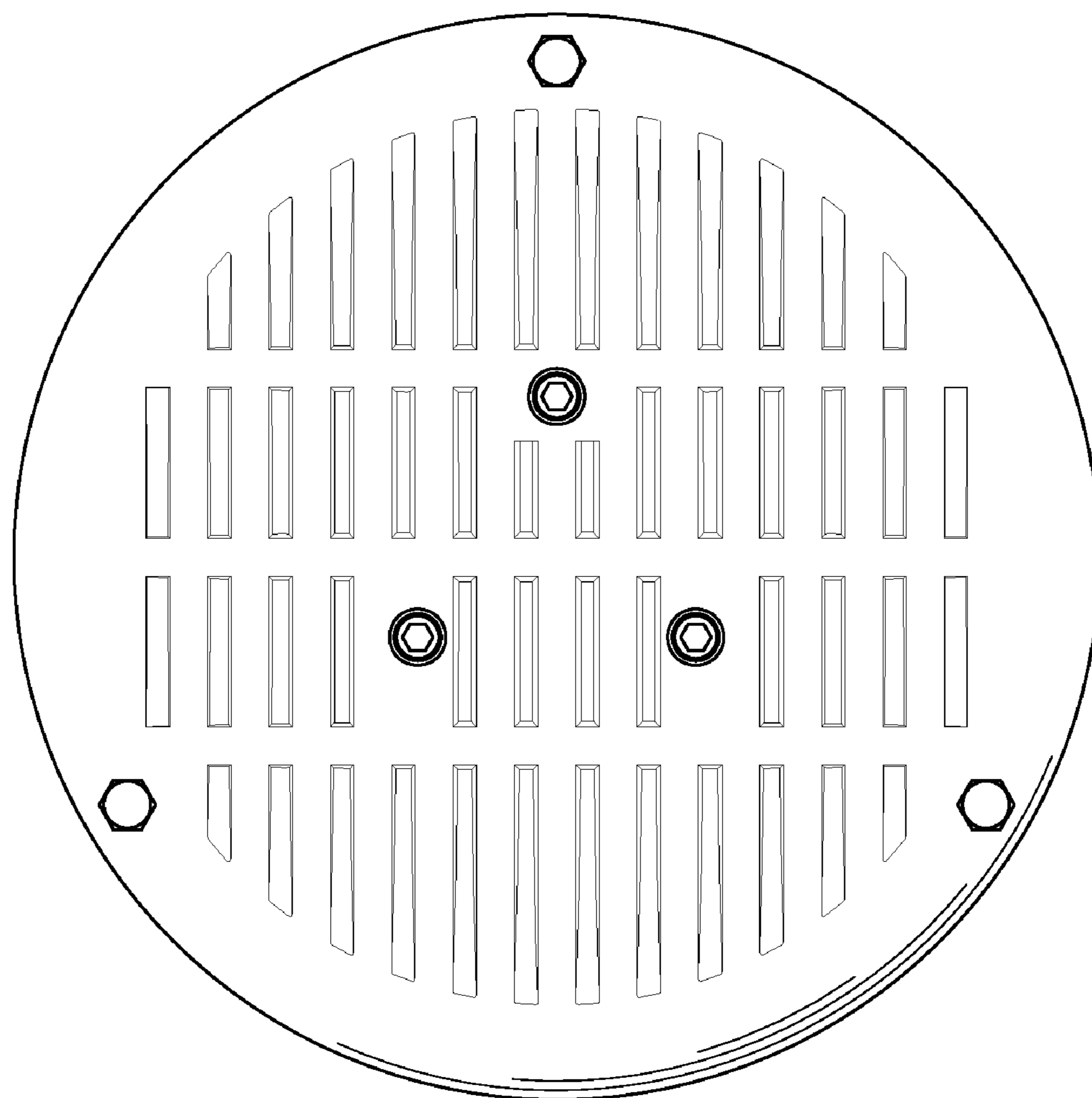


FIG. 6

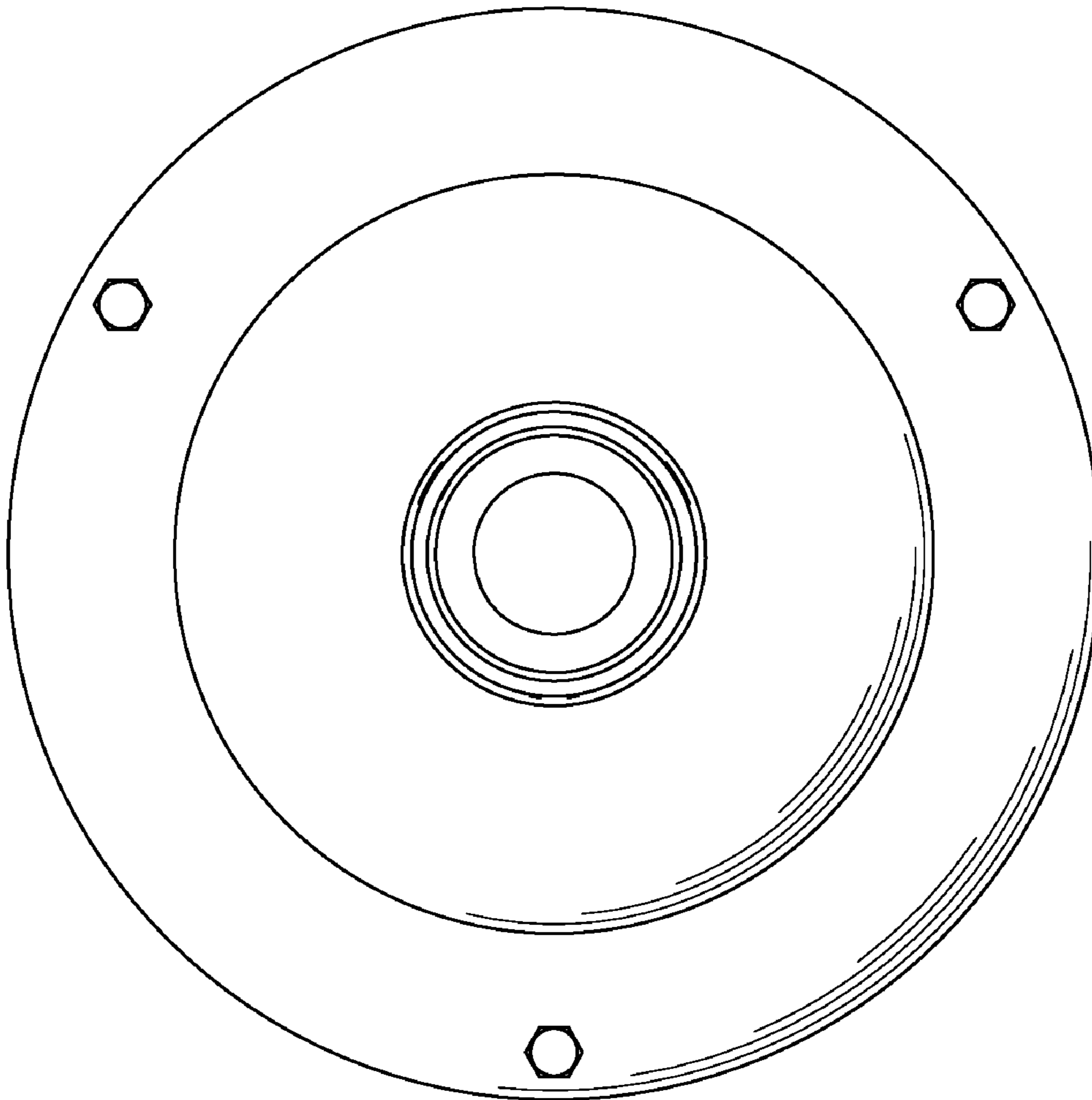


FIG. 7