



US00D578692S

(12) **United States Design Patent**  
**Engel**

(10) **Patent No.:** **US D578,692 S**  
(45) **Date of Patent:** **\*\* Oct. 14, 2008**

(54) **DUAL-LIGHT LIGHTING FIXTURE**

(76) Inventor: **Hartmut S. Engel**, Monrepos Strasse 7,  
Ludwigsburg (DE) 71634

(\*\*) Term: **14 Years**

(21) Appl. No.: **29/249,572**

(22) Filed: **Oct. 12, 2006**

(30) **Foreign Application Priority Data**

Apr. 13, 2006 (EM) ..... 000526702

(51) **LOC (8) Cl.** ..... **26-05**

(52) **U.S. Cl.** ..... **D26/63**

(58) **Field of Classification Search** ..... D26/24,  
D26/60-67, 72, 74, 75, 85-89, 118; 362/147,  
362/148, 364-366, 285, 287, 418, 419, 427,  
362/269, 271, 275, 291, 310, 311, 362, 296,  
362/159

See application file for complete search history.

(56) **References Cited**

**U.S. PATENT DOCUMENTS**

D127,173	S *	5/1941	Levy	.....	D26/76
D291,253	S *	8/1987	Ortega	.....	D26/29
D359,374	S *	6/1995	Weinstock	.....	D26/80
5,769,529	A *	6/1998	Weinstock et al.	.....	362/133
D437,074	S *	1/2001	Johnson	.....	D26/74
6,568,826	B1 *	5/2003	Kotovskiy	.....	362/147
6,634,764	B2 *	10/2003	Kotovskiy et al.	.....	362/148
6,755,557	B2 *	6/2004	Stauner et al.	.....	362/364
2006/0245178	A1 *	11/2006	Engel	.....	362/147

**FOREIGN PATENT DOCUMENTS**

EP	000123864	1/2004
EP	000125224	1/2004
EP	000233184	9/2004

**OTHER PUBLICATIONS**

Cens Lighting Catalog, Sep. 2005, Cosio Lighting, p. 161, item #GL551002 (G12 2x70W).\*

Cens Lighting Catalog, Dec. 2005, Bestar Lighting, p. 2, items #XM2902S G12/QR111, XM2902G12/QR111, XM2902MA MR16, XM2902M MR16.\*

\* cited by examiner

*Primary Examiner*—Clare E Heflin

*Assistant Examiner*—Barbara Fox

(74) *Attorney, Agent, or Firm*—Lewis and Roca LLP

(57) **CLAIM**

The ornamental design for a dual-light lighting fixture, as shown and described.

**DESCRIPTION**

FIG. 1 is a bottom view of a dual-light lighting fixture showing my new design, in an untilted, closed position;

FIG. 2 is a bottom perspective view thereof;

FIG. 3 is another perspective view thereof;

FIG. 4 is a plan view of the dual-light lighting fixture, with the light bulb receivers angled right;

FIG. 5 is a perspective view of the dual-light lighting fixture, with the light bulb receivers angled right;

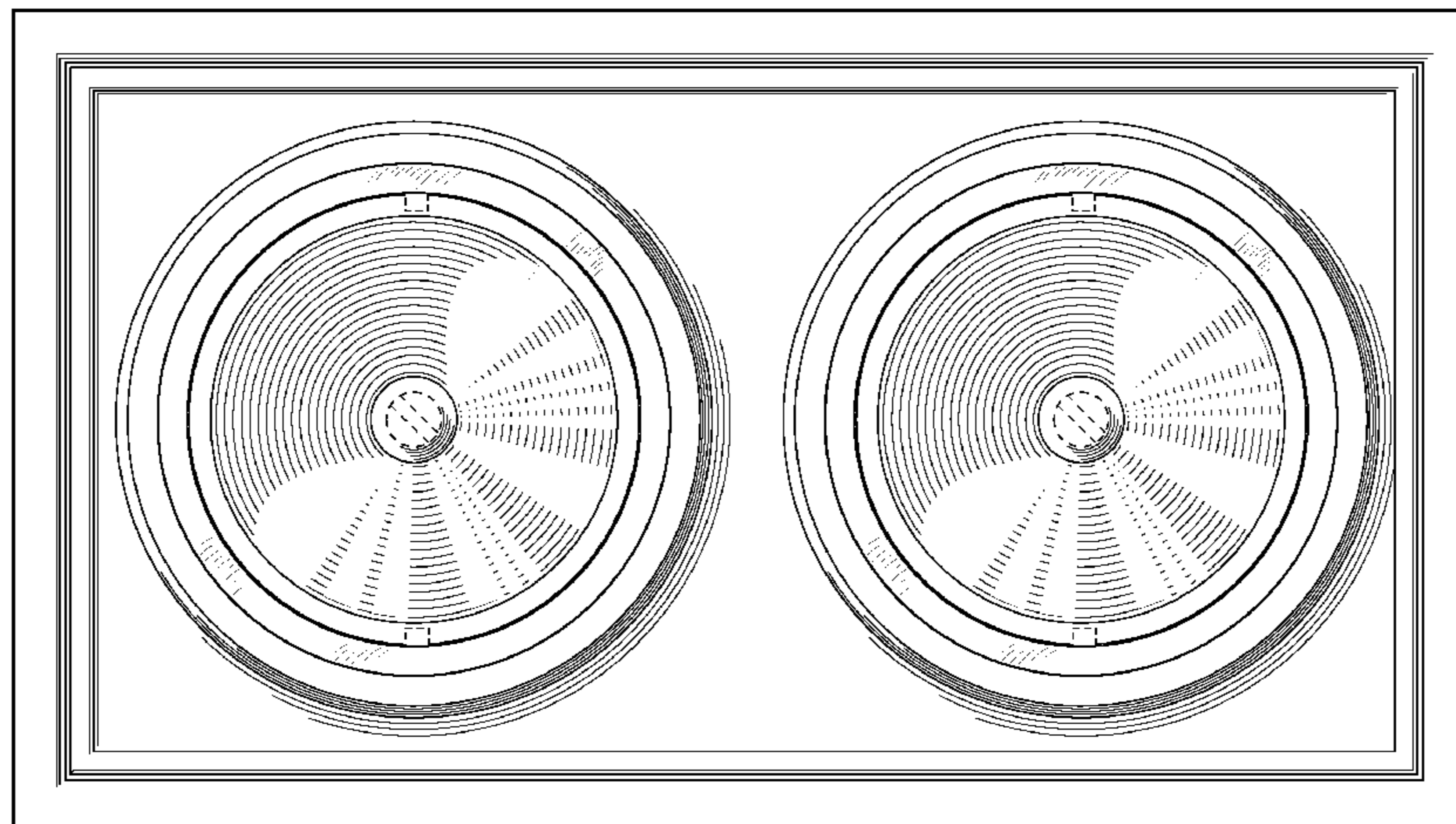
FIG. 6 is a plan view of the dual-light lighting fixture with a cover in an open position, with the light bulb receivers angled right and down;

FIG. 7 is a plan view of the dual-light lighting fixture of FIG. 6, with the light bulb receivers angled right; and,

FIG. 8 is a perspective view of the dual-light lighting fixture with a cover in an open position, with the light bulb receivers in a center position and angled down.

The broken lines shown in the drawings are for the purpose of illustrating portions of the dual light lighting fixture and form no part of the claimed design.

**1 Claim, 8 Drawing Sheets**



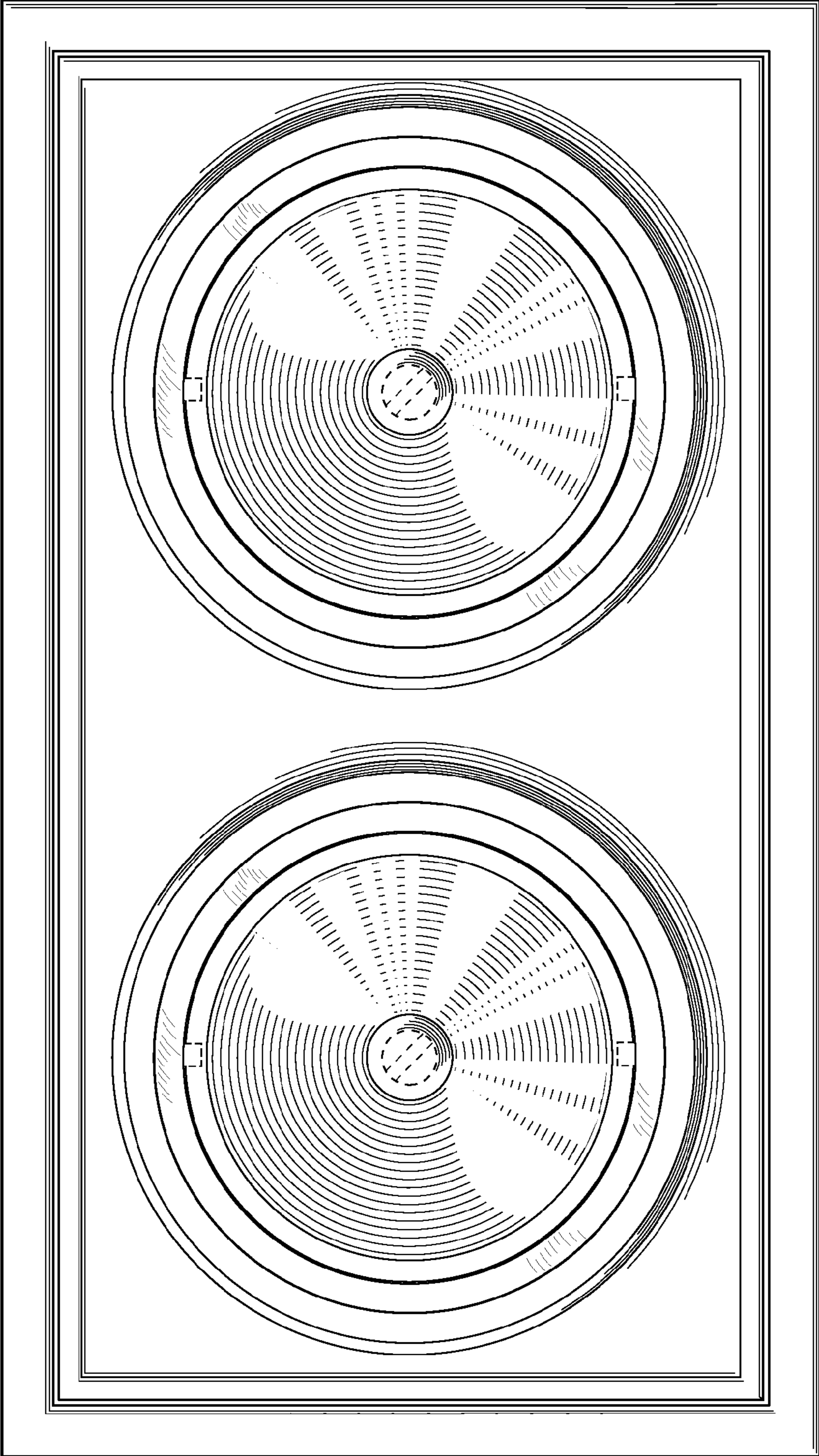


Fig. 1

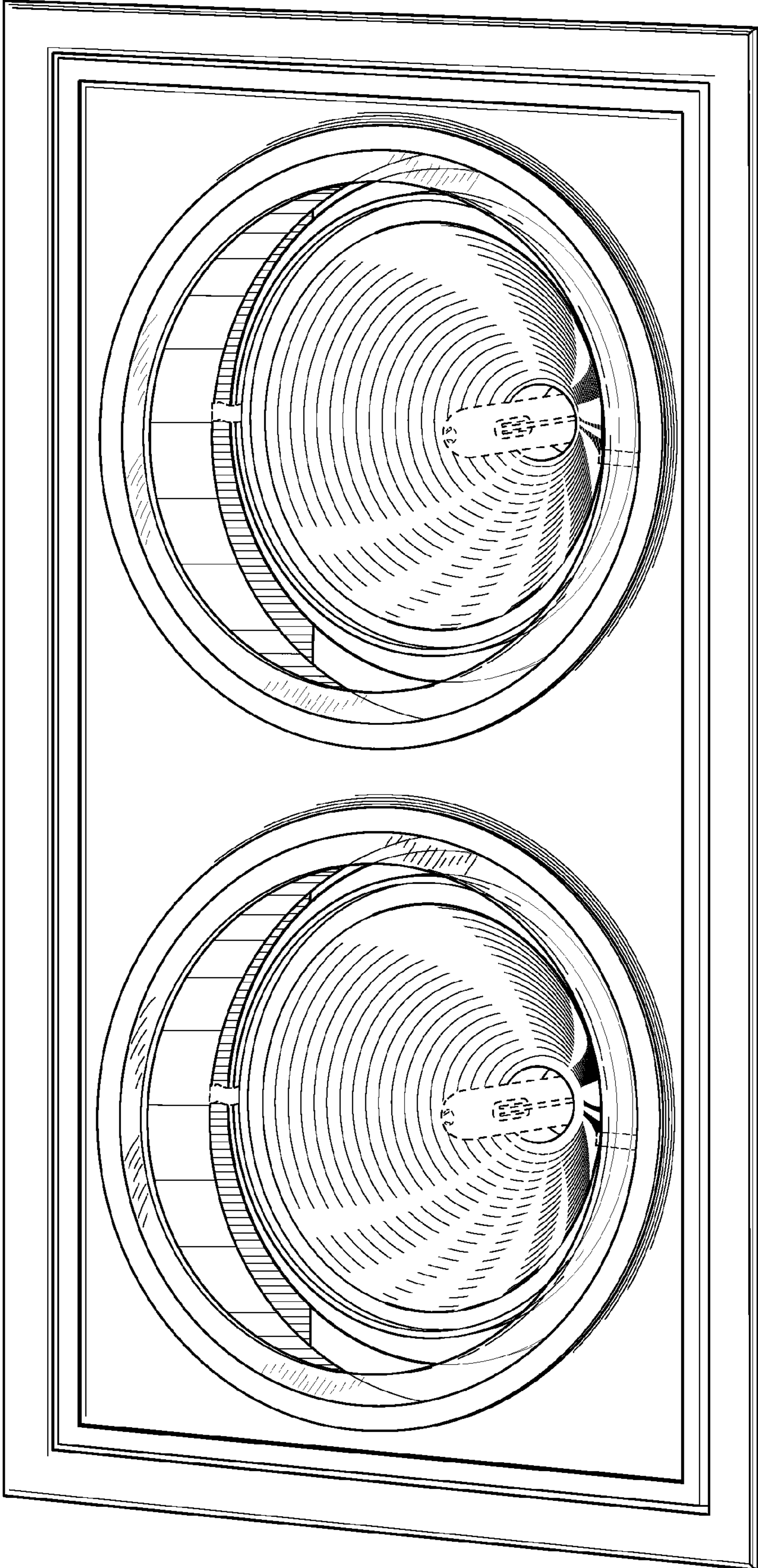


Fig.2

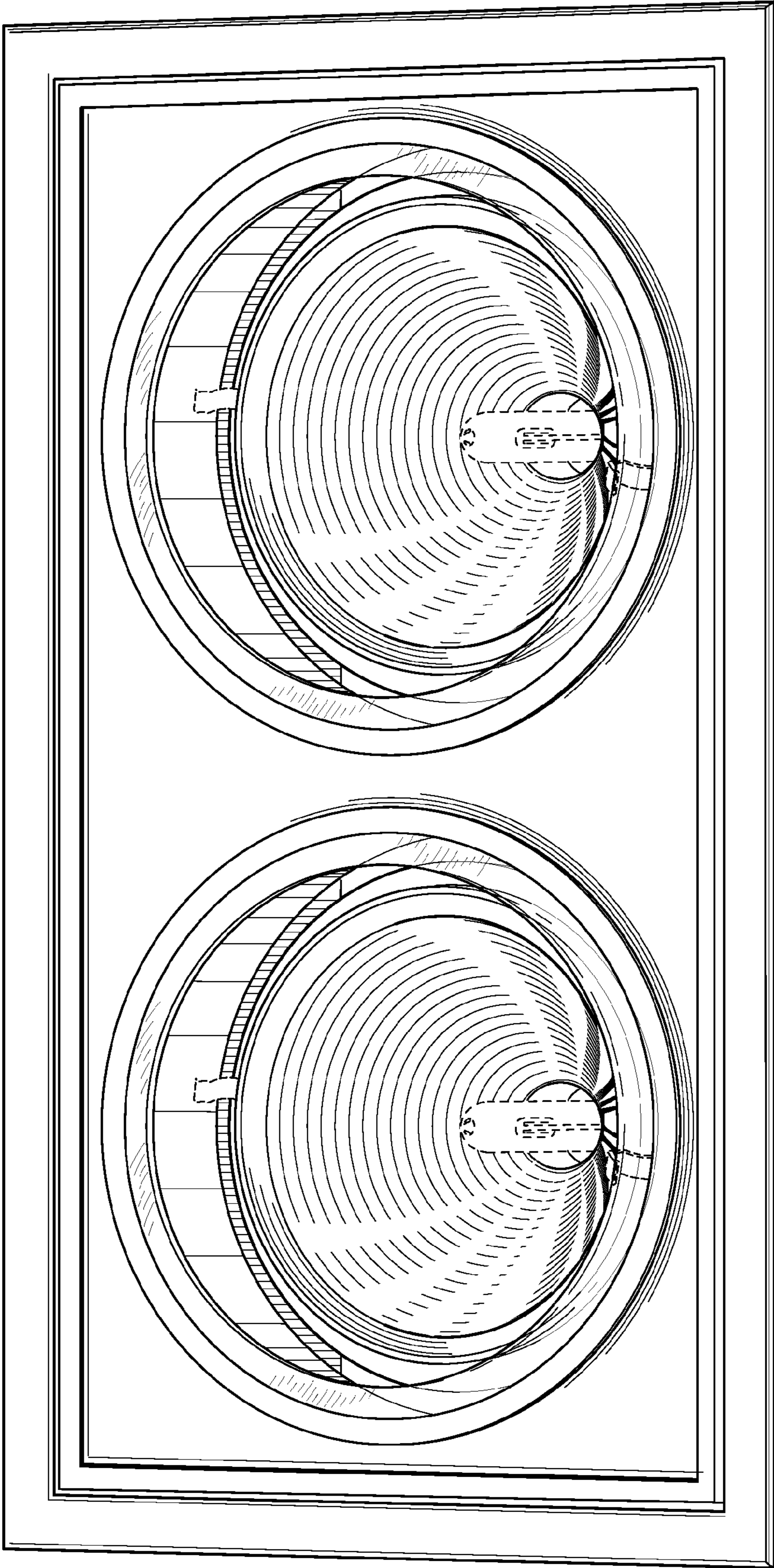


Fig. 3

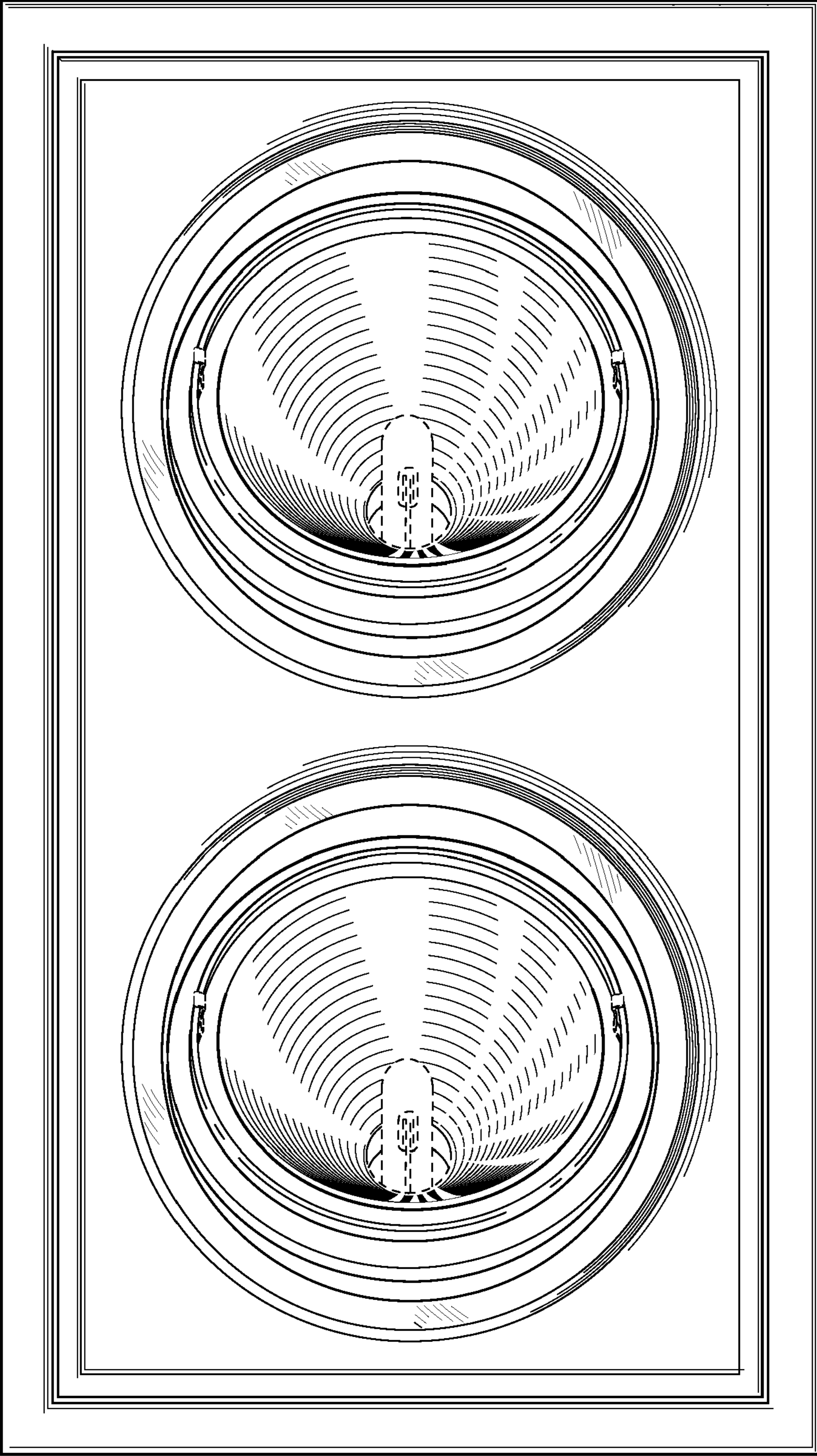


Fig. 4

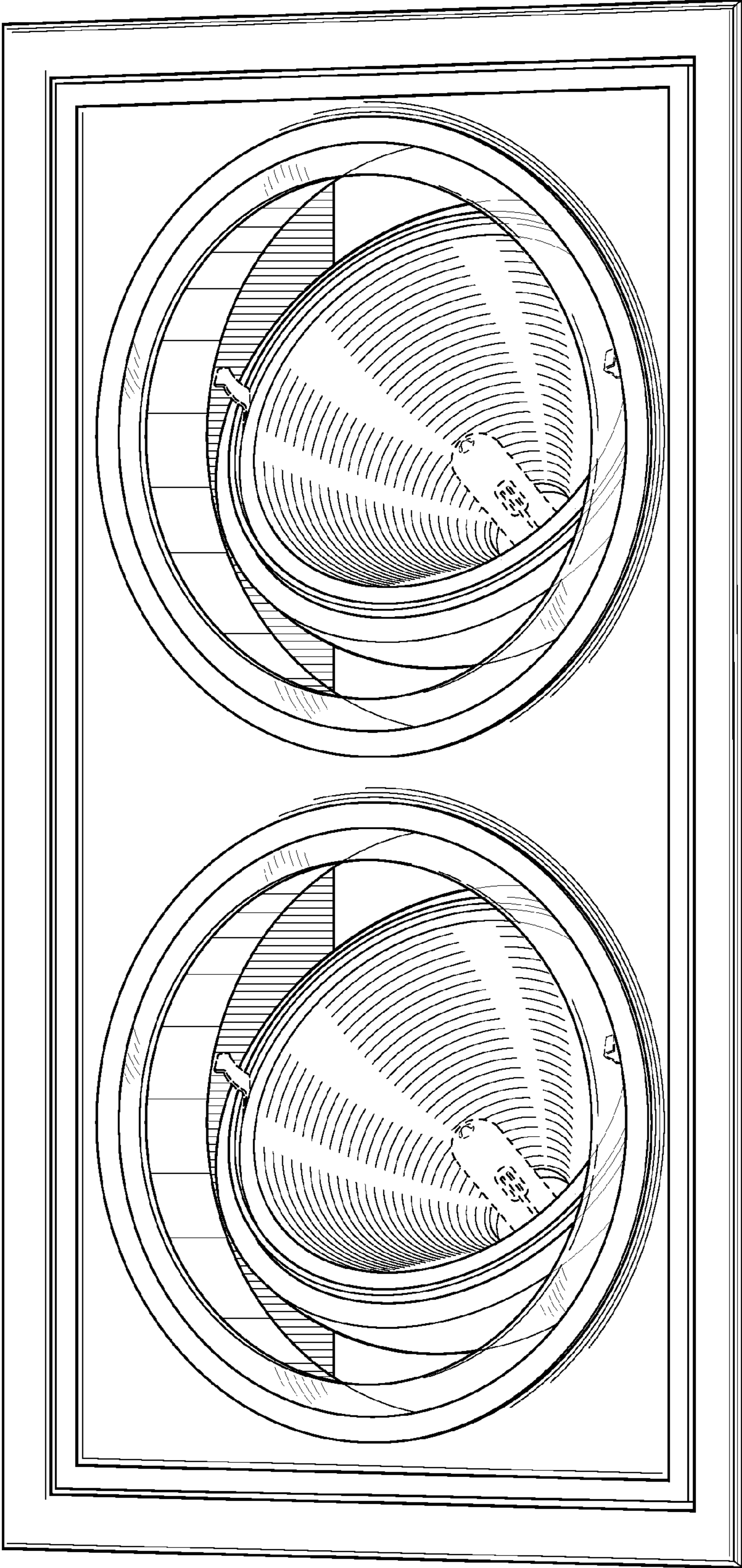


Fig.5

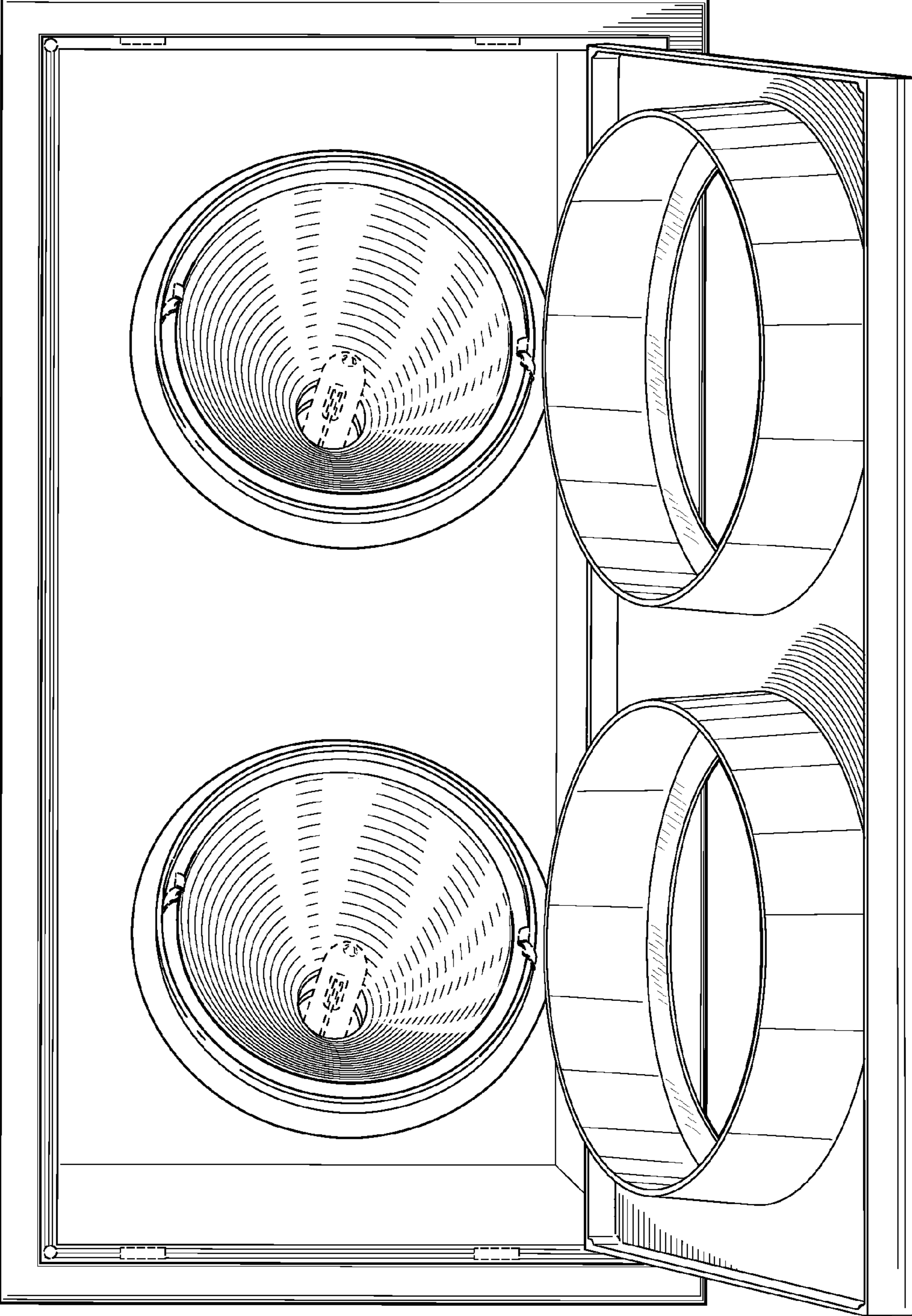


Fig. 6

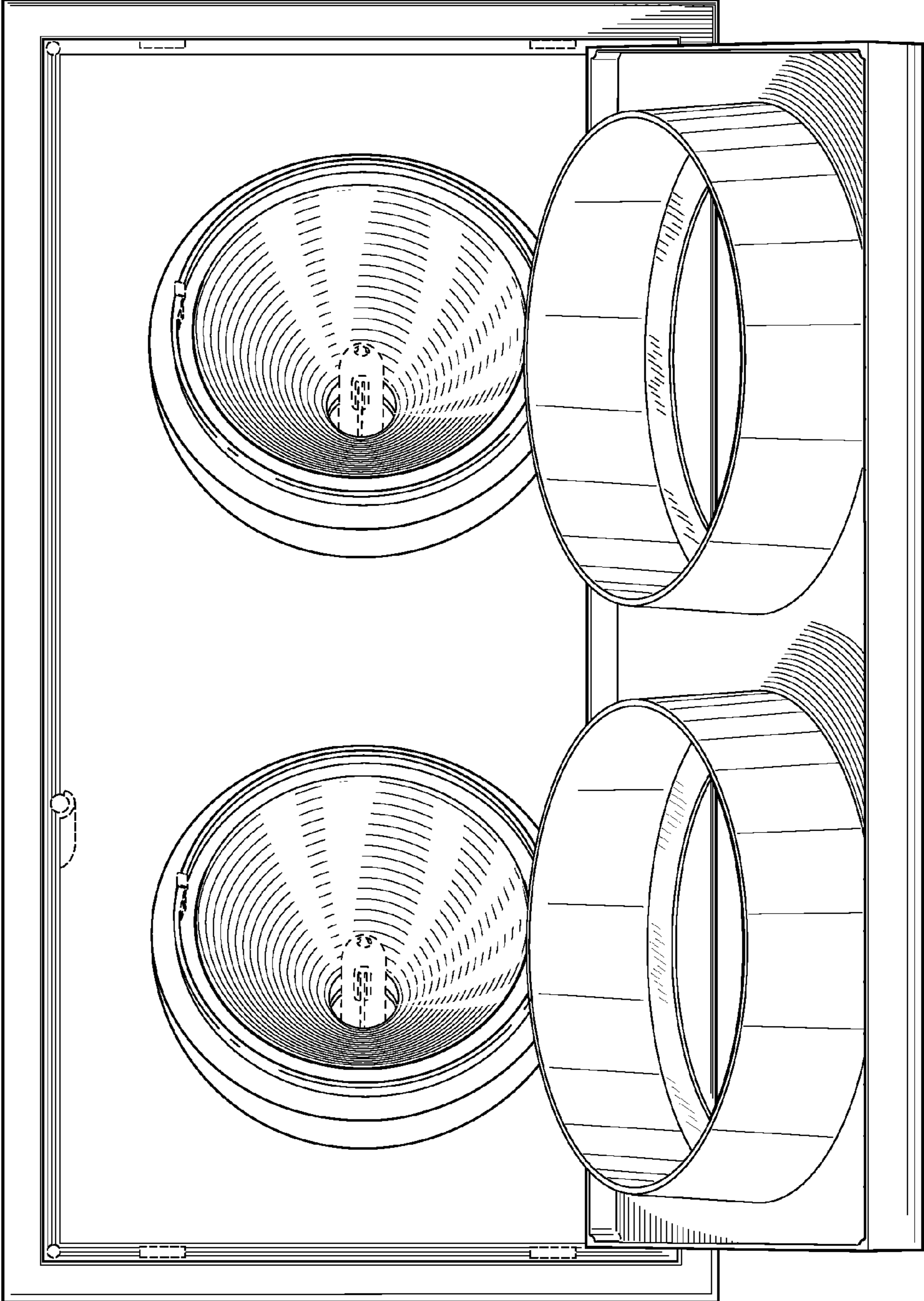


Fig. 7



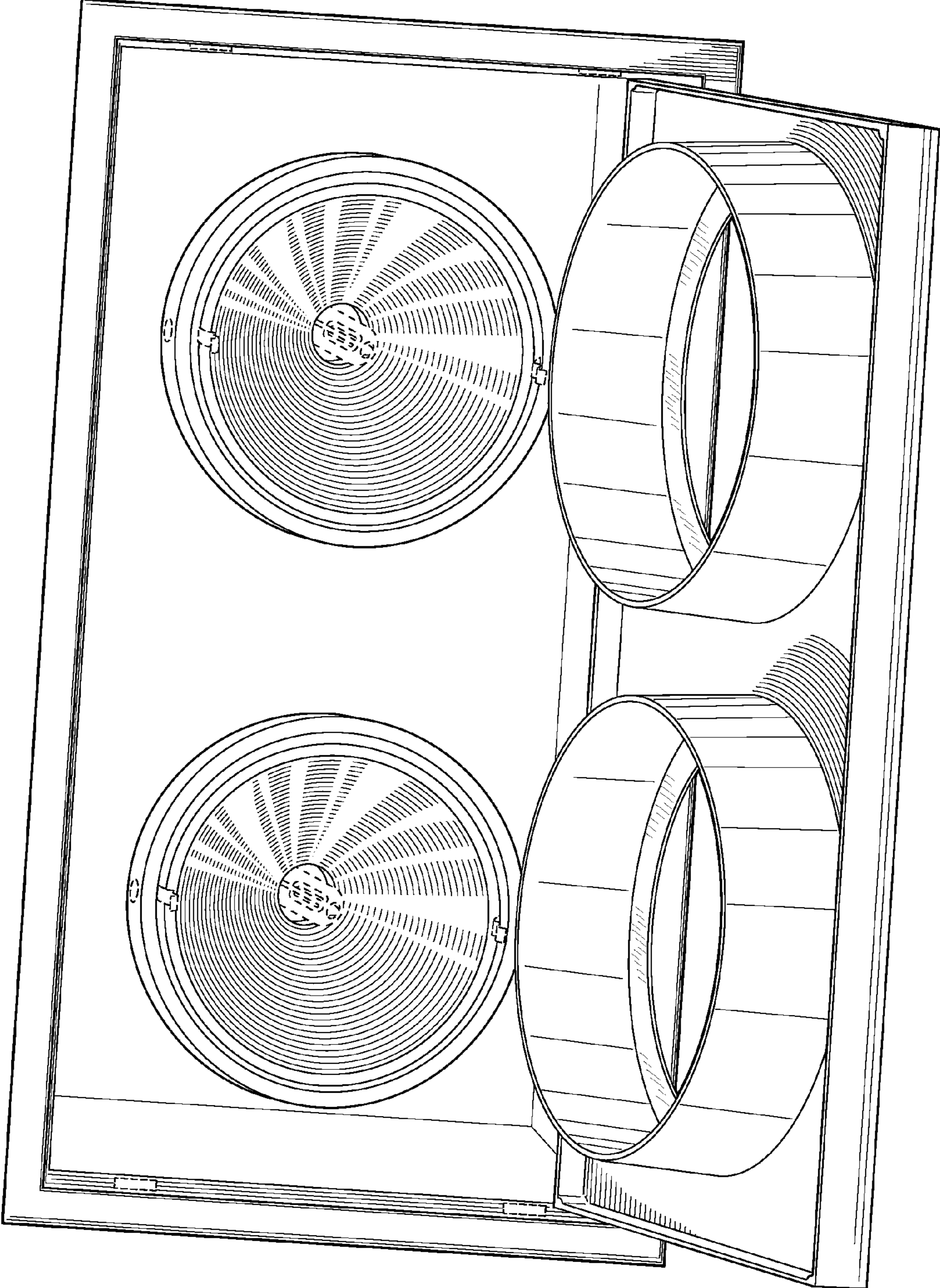


Fig. 8