



US00D578687S

(12) **United States Design Patent**  
**Hong**

(10) **Patent No.:** **US D578,687 S**

(45) **Date of Patent:** **\*\* Oct. 14, 2008**

(54) **FLASHLIGHT**

(76) Inventor: **Troy Hong**, P.O. Box 215, Taichung  
(TW) 40099

(\*\*) Term: **14 Years**

(21) Appl. No.: **29/300,011**

(22) Filed: **Feb. 7, 2008**

(51) **LOC (8) Cl.** ..... **26-02**

(52) **U.S. Cl.** ..... **D26/37**

(58) **Field of Classification Search** ..... D26/37-50;  
362/157, 158, 171-174, 183-208

See application file for complete search history.

(56) **References Cited**

**U.S. PATENT DOCUMENTS**

- D521,666 S \* 5/2006 Chean ..... D26/37
- D524,468 S \* 7/2006 Chean ..... D26/37
- D551,368 S \* 9/2007 Shiu ..... D26/37
- D563,007 S \* 2/2008 Opolka ..... D26/49

D567,416 S \* 4/2008 Shiu ..... D26/37

\* cited by examiner

*Primary Examiner*—Marcus A Jackson

(57) **CLAIM**

The ornamental design for a flashlight, as shown and described.

**DESCRIPTION**

FIG. 1 is a perspective view of a flashlight showing my new design;

FIG. 2 is a front elevational view thereof;

FIG. 3 is a rear elevational view thereof;

FIG. 4 is a left side elevational view thereof;

FIG. 5 is a right side elevational view thereof;

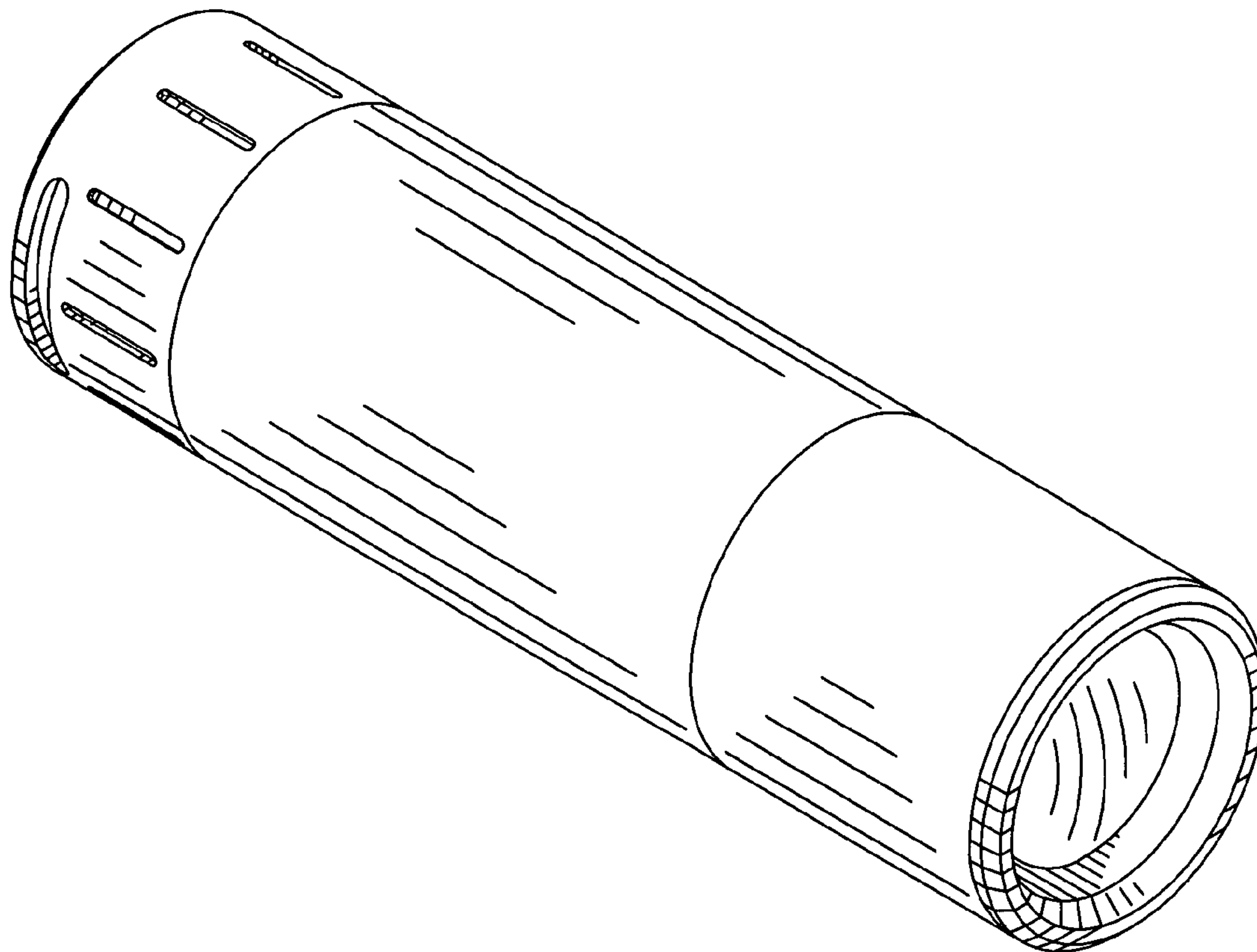
FIG. 6 is a top plan view thereof;

FIG. 7 is a bottom plan view thereof;

FIG. 8 is another perspective view thereof; and,

FIG. 9 is a perspective view of the flashlight in a position of use.

**1 Claim, 8 Drawing Sheets**



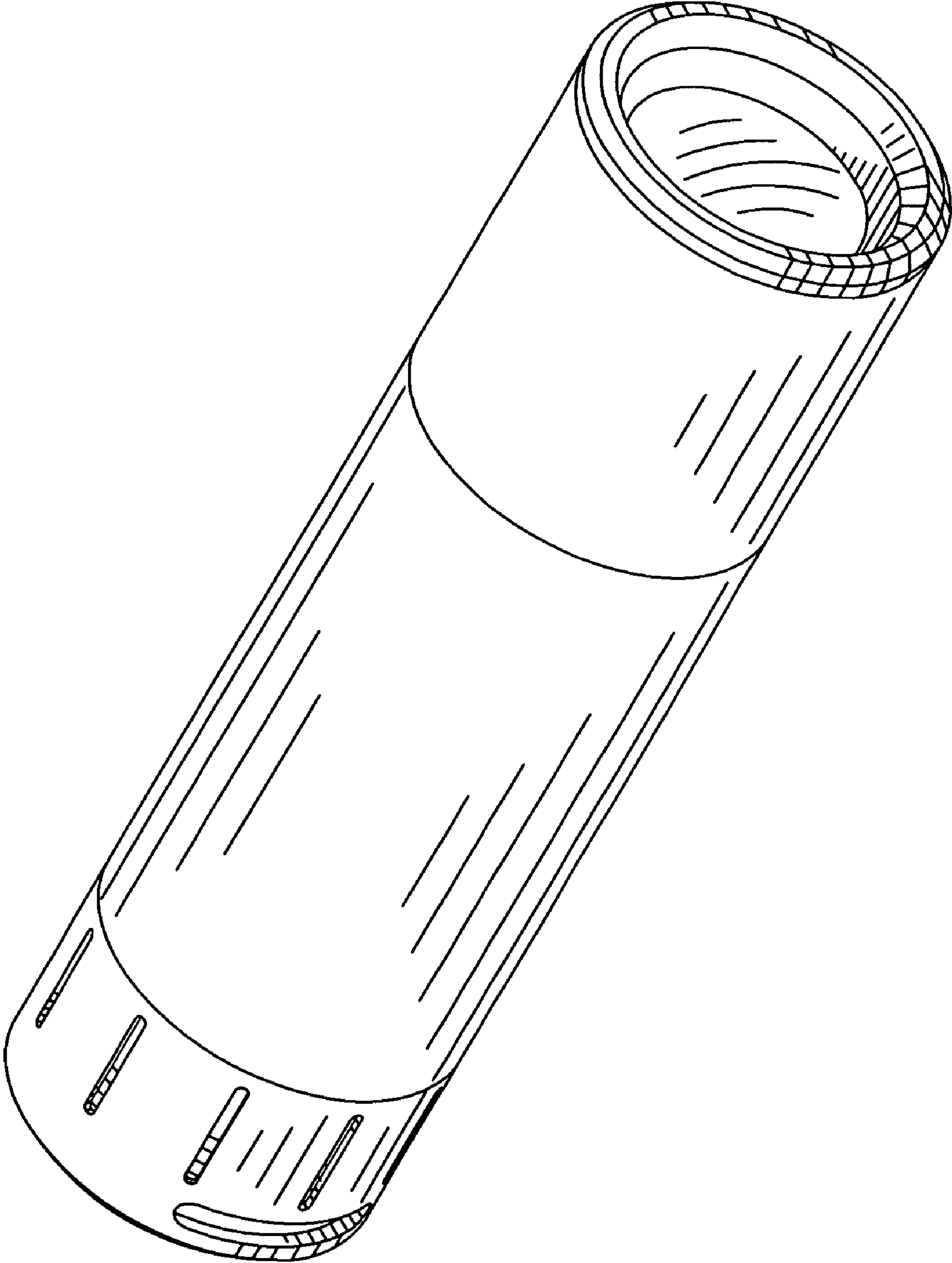


FIG 1

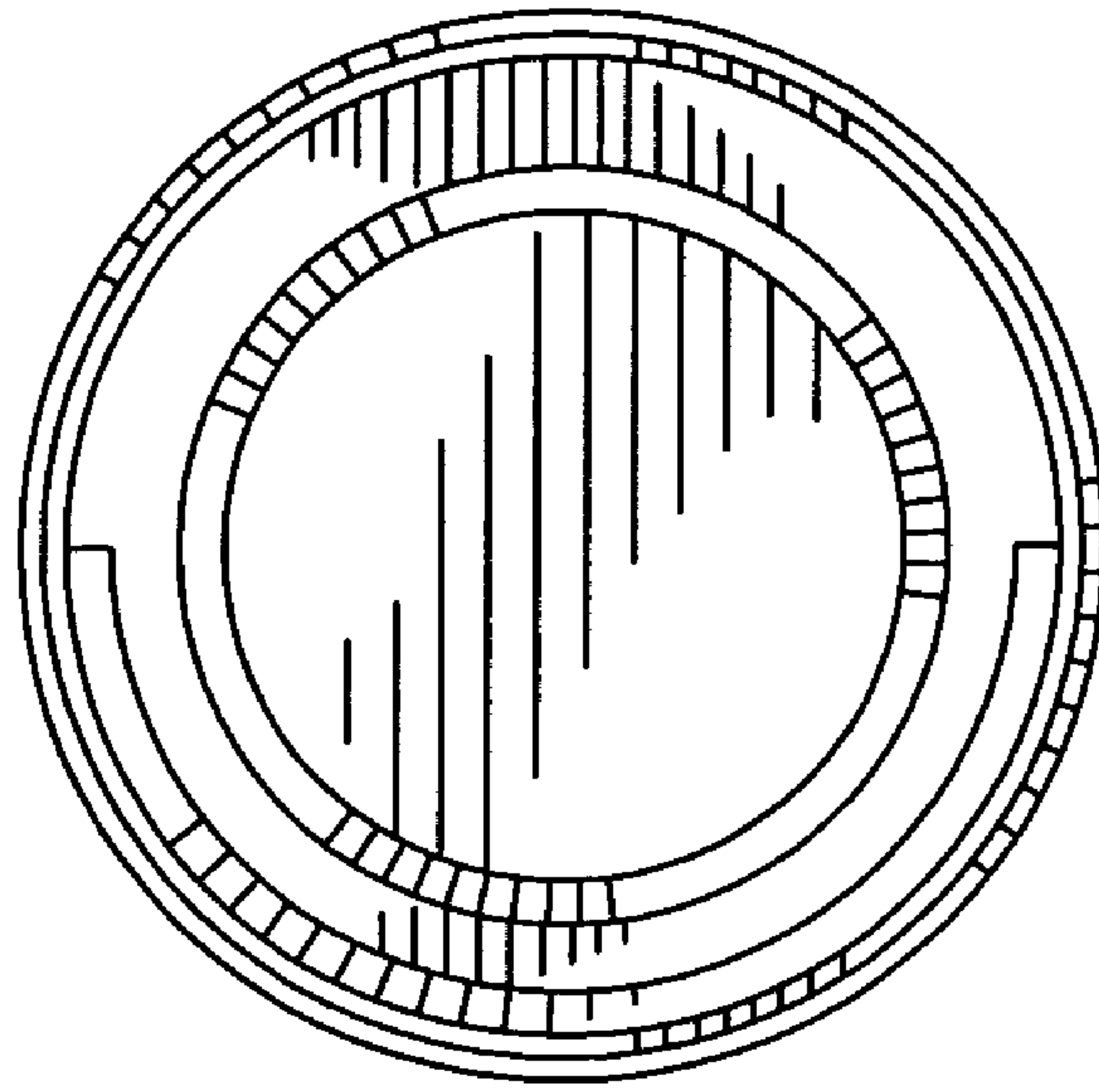


FIG 3

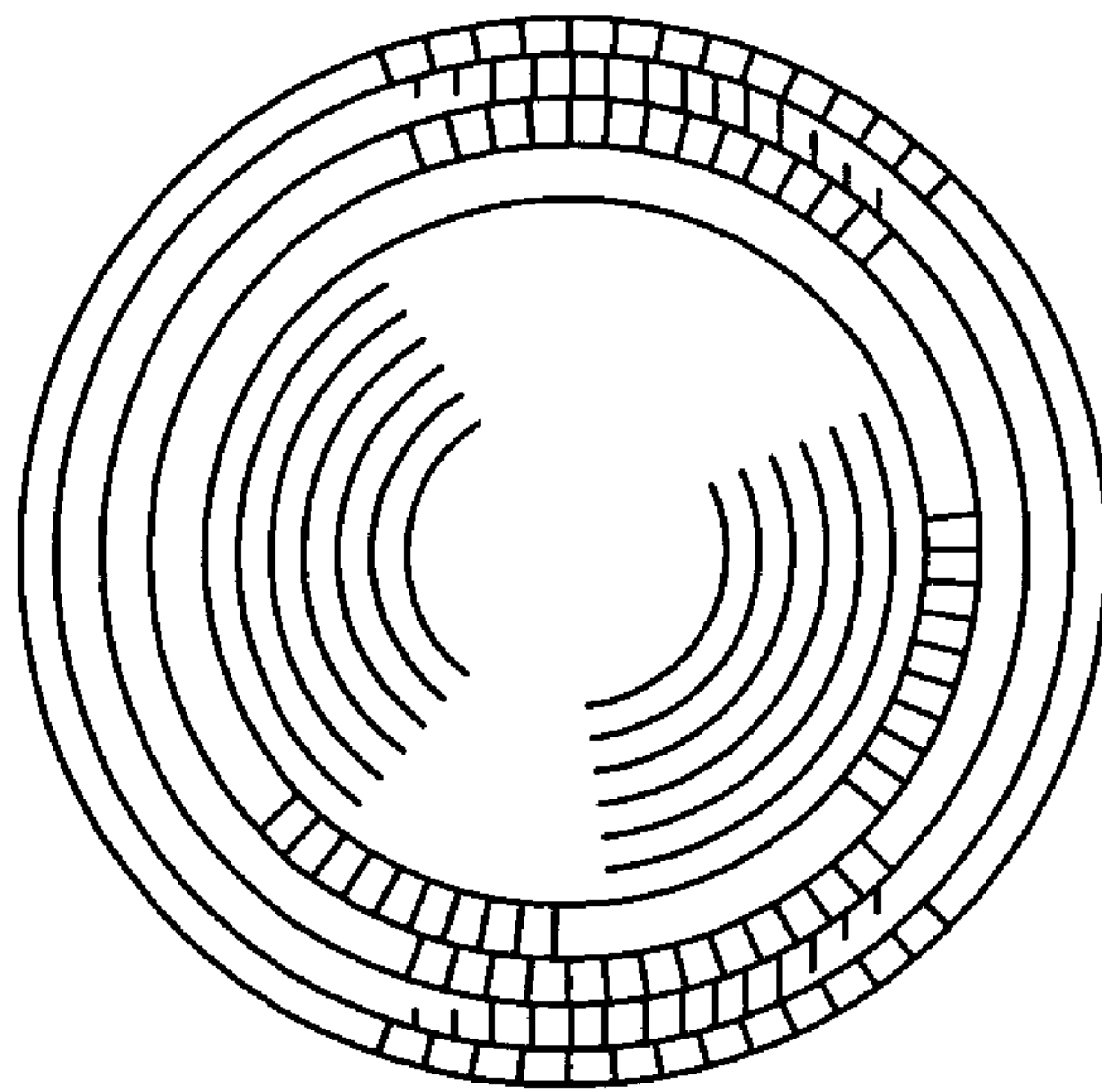


FIG 2

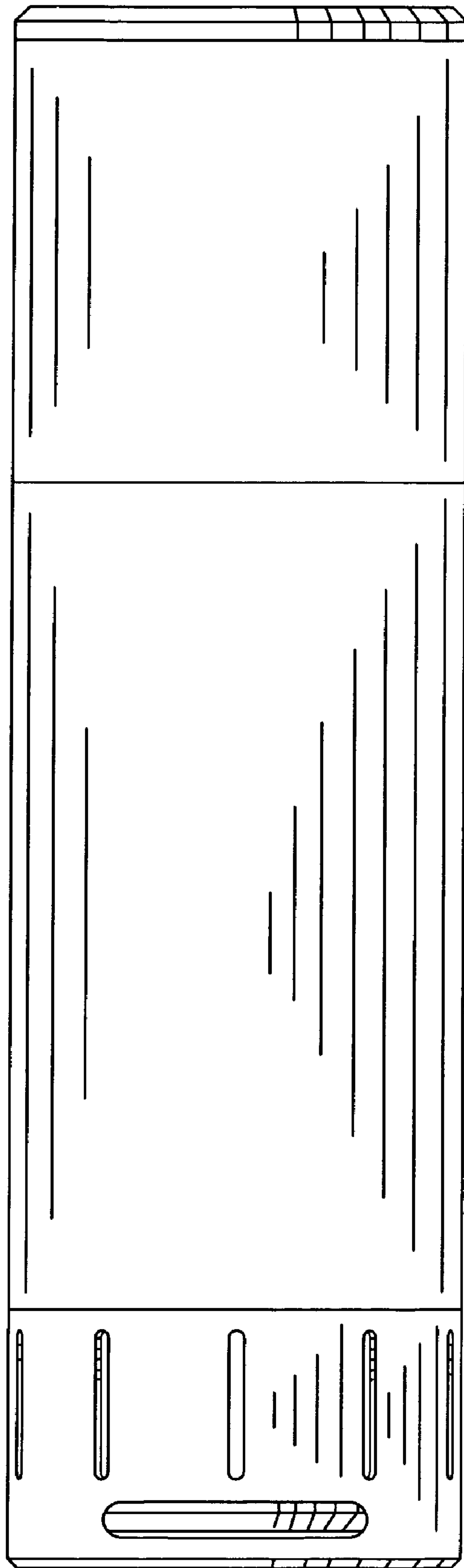


FIG 4

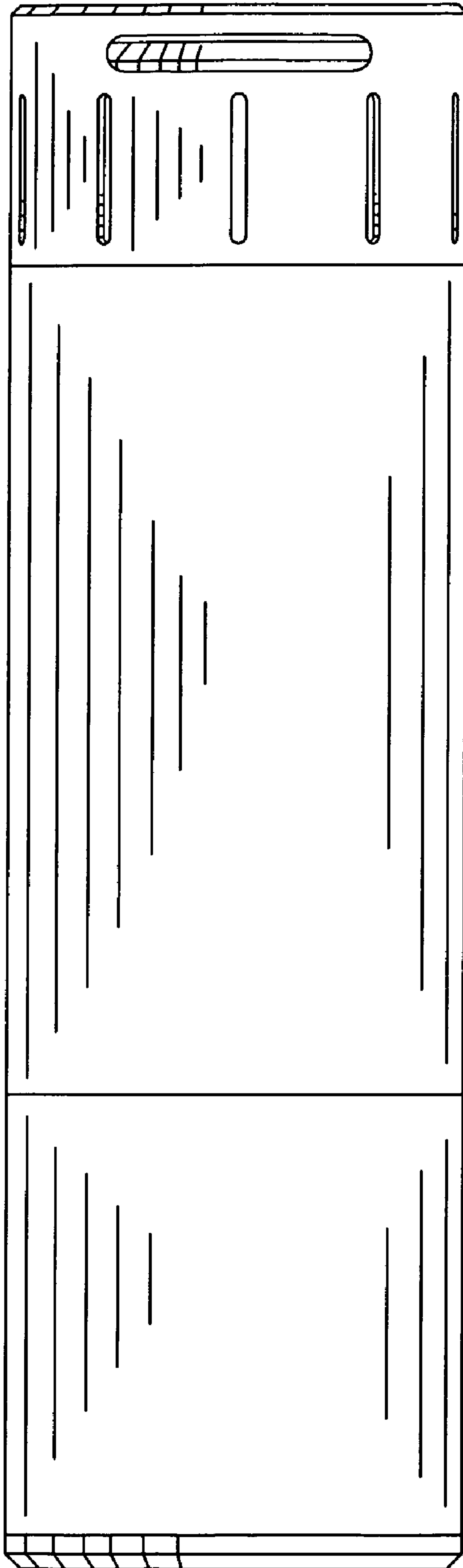


FIG 5

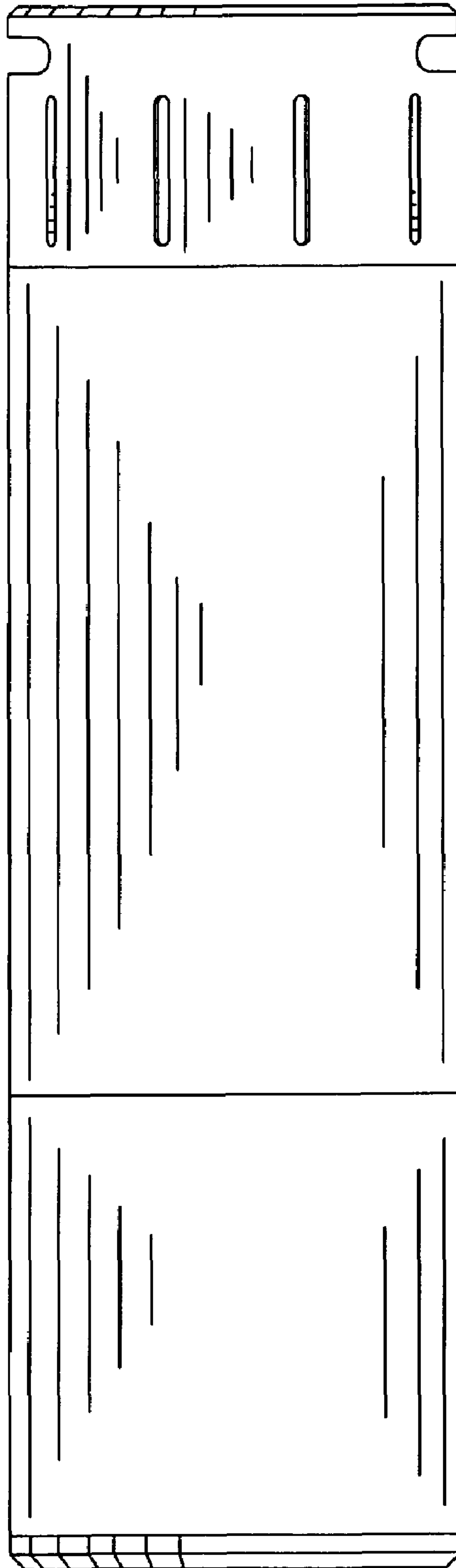


FIG 6

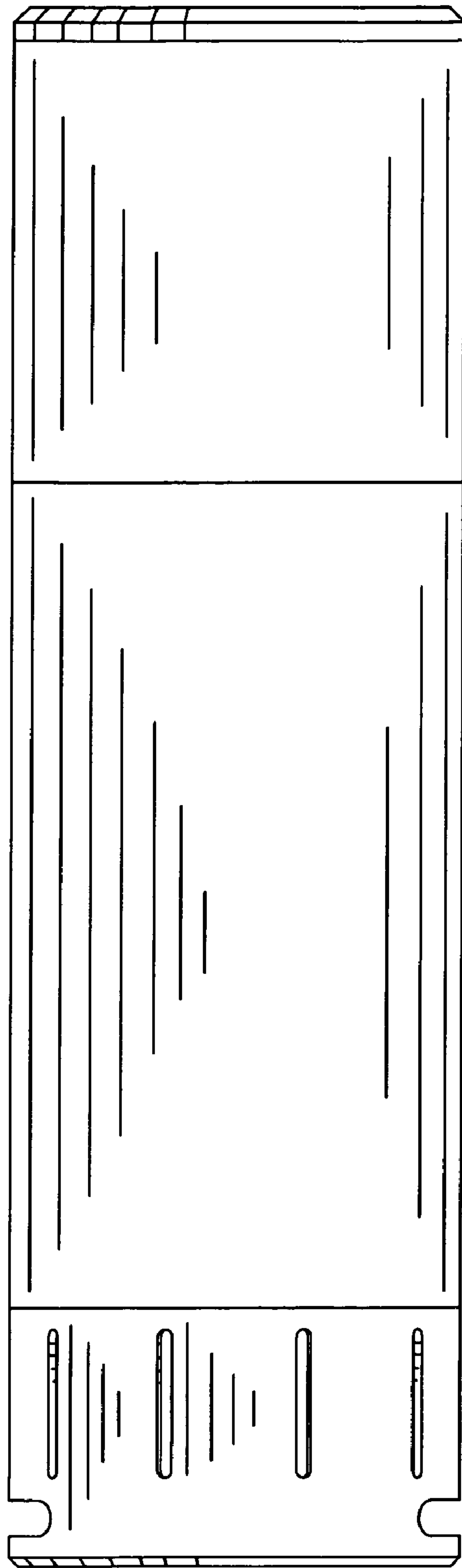


FIG 7

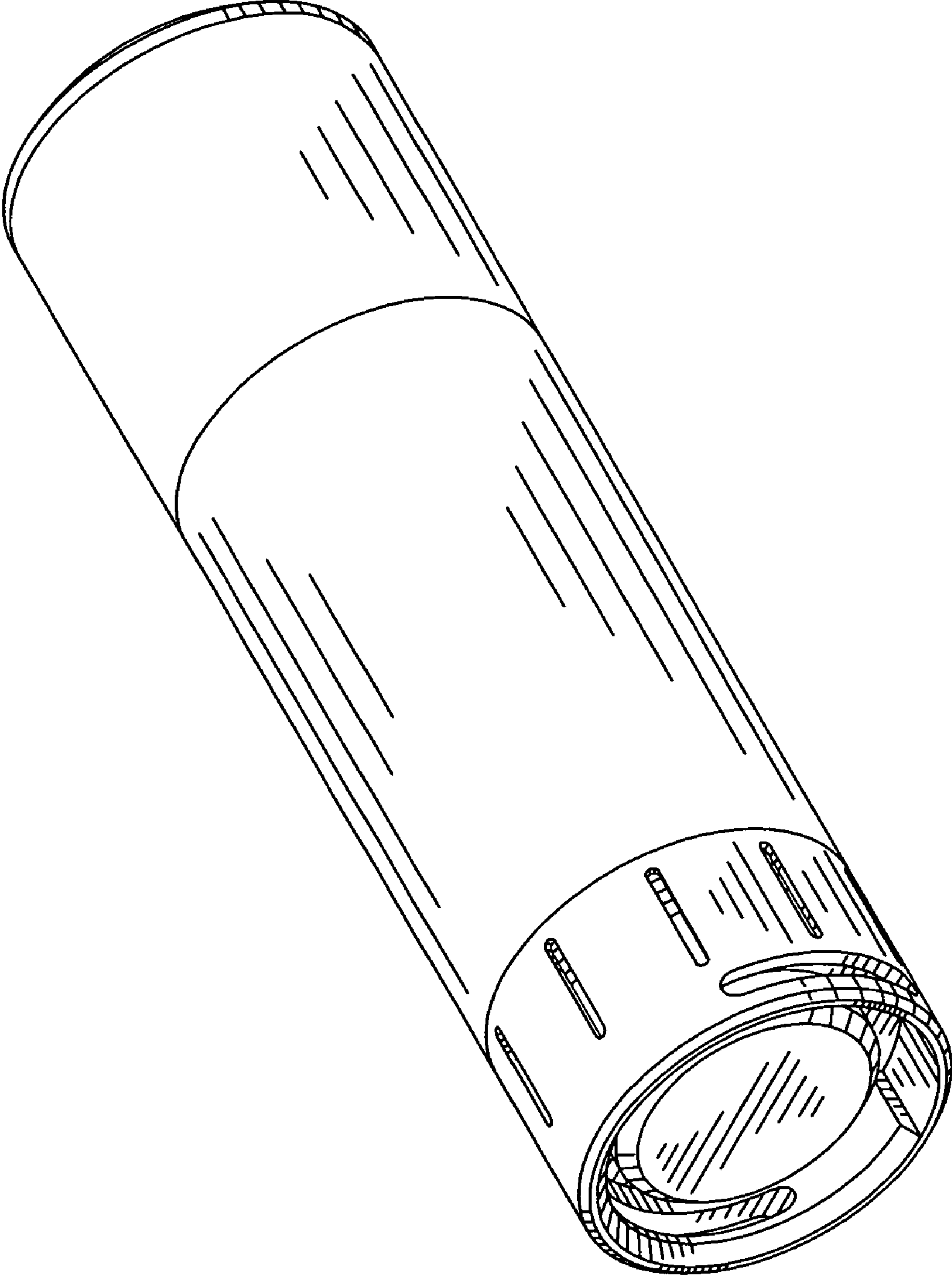


FIG 8



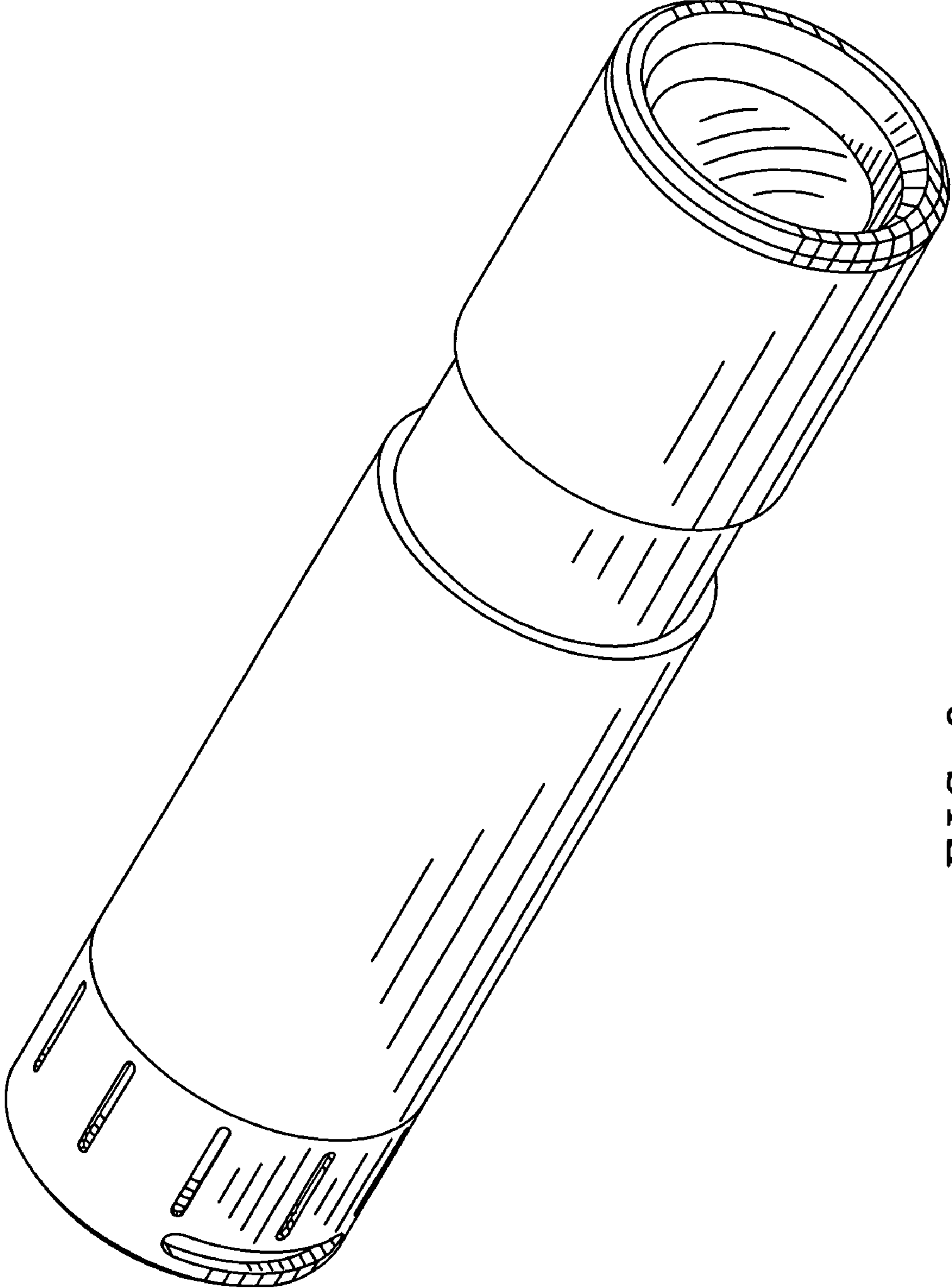


FIG 9