



US00D578686S

(12) **United States Design Patent**
Dalton

(10) **Patent No.:** **US D578,686 S**

(45) **Date of Patent:** **** Oct. 14, 2008**

(54) **MOUNTING DEVICE**

(75) Inventor: **Matthew Benjamin Dalton**, Elkins Park, PA (US)

(73) Assignee: **Streamlight, Inc.**, Eagleville, PA (US)

(**) Term: **14 Years**

(21) Appl. No.: **29/285,455**

(22) Filed: **Mar. 29, 2007**

(51) **LOC (8) Cl.** **26-02**

(52) **U.S. Cl.** **D26/37; D26/39**

(58) **Field of Classification Search** D26/1,
D26/27, 26, 28, 30–31, 36, 39; 362/459,
362/487, 493, 505–507, 540, 541, 545, 555,
362/800, 103, 105–107

See application file for complete search history.

(56) **References Cited**

U.S. PATENT DOCUMENTS

D222,500	S *	10/1971	Gugalot et al.	D26/37
5,871,272	A	2/1999	Sharrah et al.		
D505,739	S *	5/2005	Hajianpour	D26/37
D563,017	S *	2/2008	Waedeled	D26/70
D568,516	S *	5/2008	Hillard	D26/60
2003/0030745	A1 *	2/2003	Meek et al.	348/370
2007/0159809	A1	7/2007	Kim et al.		
2007/0159810	A1	7/2007	Kim		

OTHER PUBLICATIONS

Streamlight, “ProPolymer® Series—ProPolymer® 4AA”, <http://www.streamlight.com/product/product.aspx?pid=23>, Printed Mar. 12, 2007, 1 Pg.

Streamlight, “4AA ProPolymer® Alkaline Battery-Powered Flashlight”, Feb. 2007, 2 Pgs.

Helm-A-Clip, “New Products”, <http://www.helm-a-clip.com/images/newproducts/album/index.htm>, printed Aug. 27, 2007, 1 page.

* cited by examiner

Primary Examiner—Ian Simmons

Assistant Examiner—Dana L Sipos

(74) *Attorney, Agent, or Firm*—Clement A. Berard, Esq.; Dann, Dorfman, Herrell & Skillman, PC

(57) **CLAIM**

The ornamental design for a mounting device, substantially as shown and described.

DESCRIPTION

FIG. 1 is a first perspective view of an ornamental design for a mounting device;

FIG. 2 is a second perspective view of the ornamental design;

FIG. 3 is a view of a front side of the ornamental design;

FIG. 4 is a view of a rear side of the ornamental design;

FIG. 5 is a view of a first side of the ornamental design;

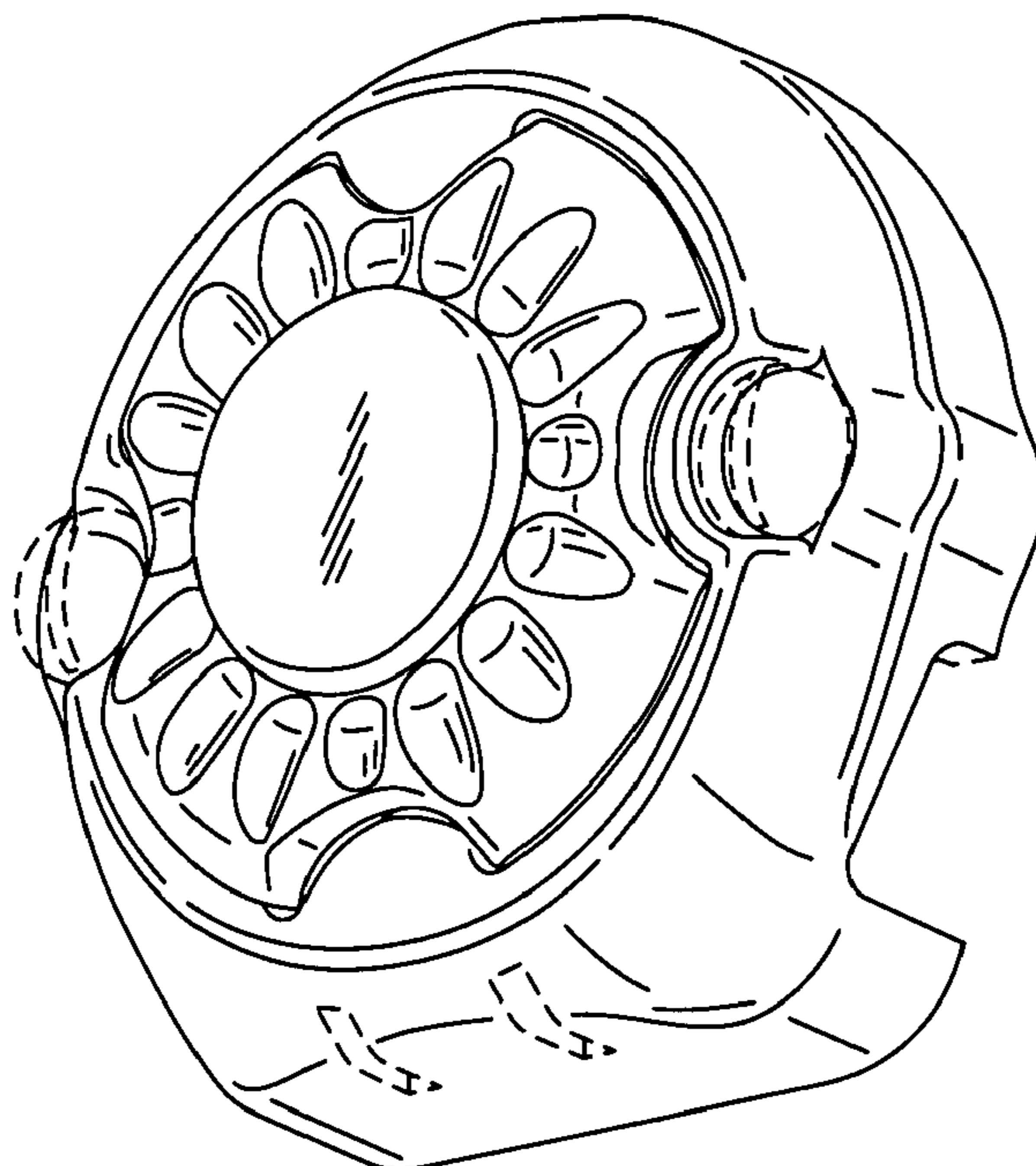
FIG. 6 is a view of a second side of the ornamental design;

FIG. 7 is a view of a first end of the ornamental design; and,

FIG. 8 is a view of a second end of the ornamental design.

Broken lines in the illustrations of the drawing indicate unclaimed parts of the article that are not part of the design illustrated therein.

1 Claim, 4 Drawing Sheets



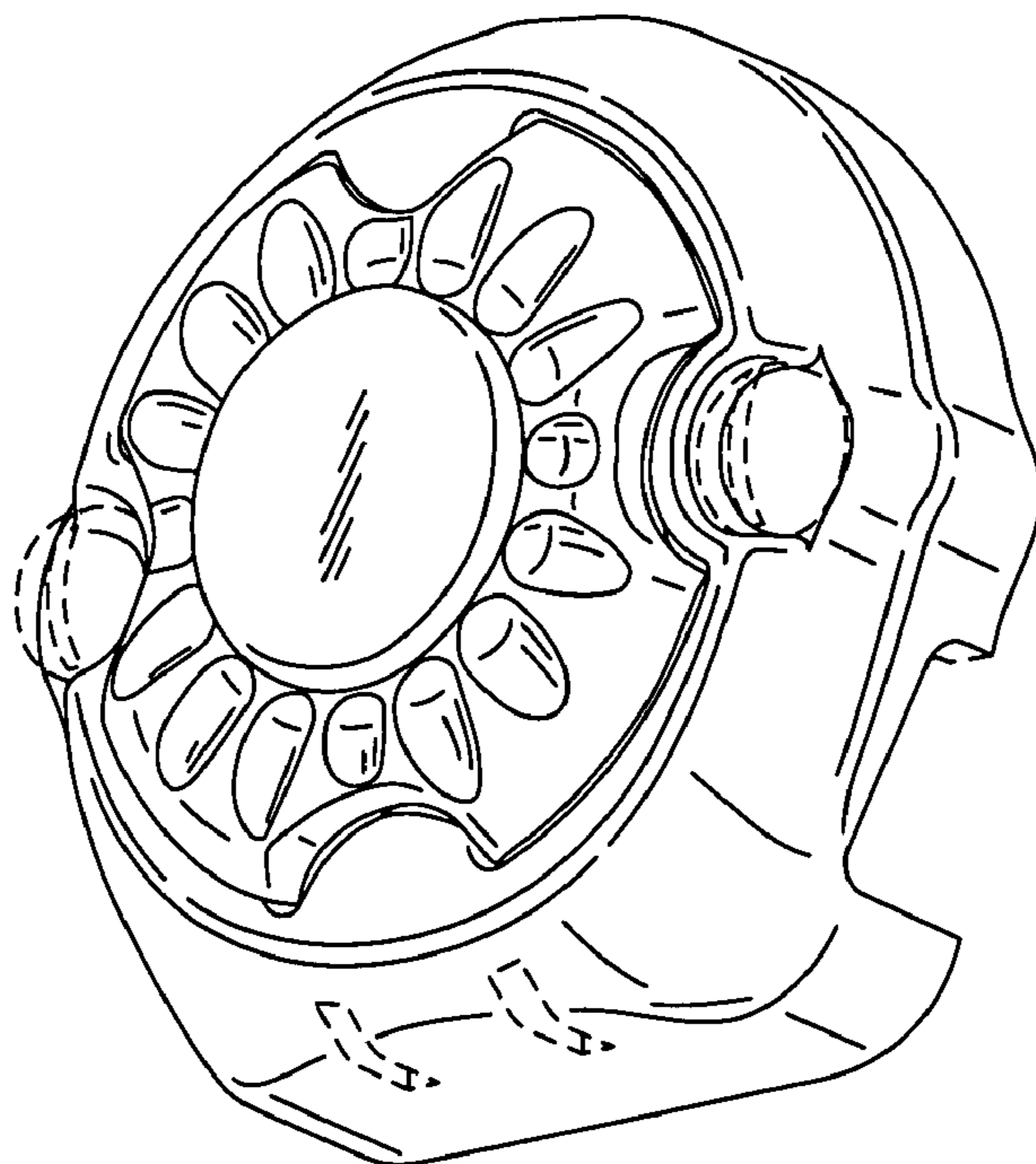


Fig. 1

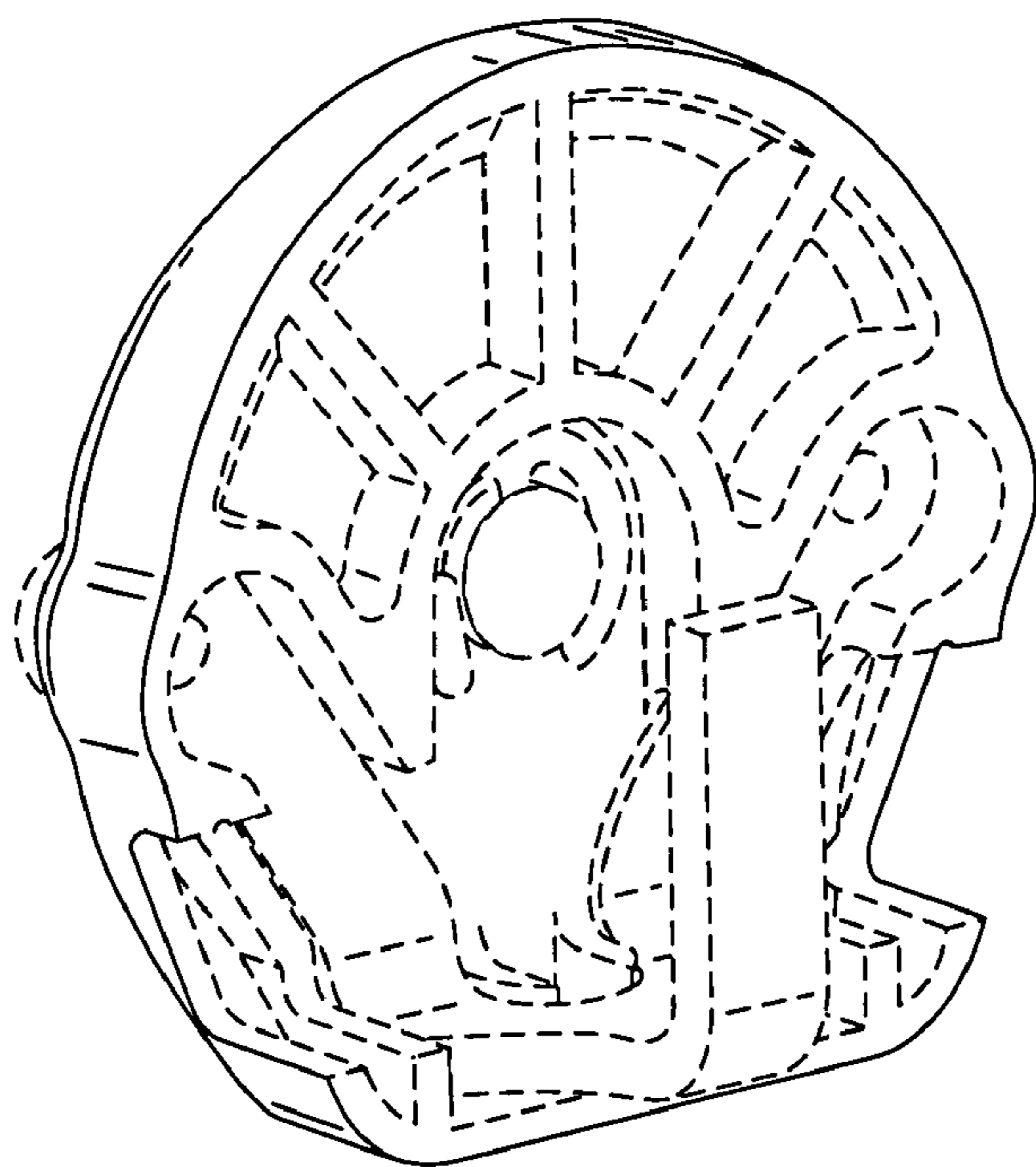


Fig. 2

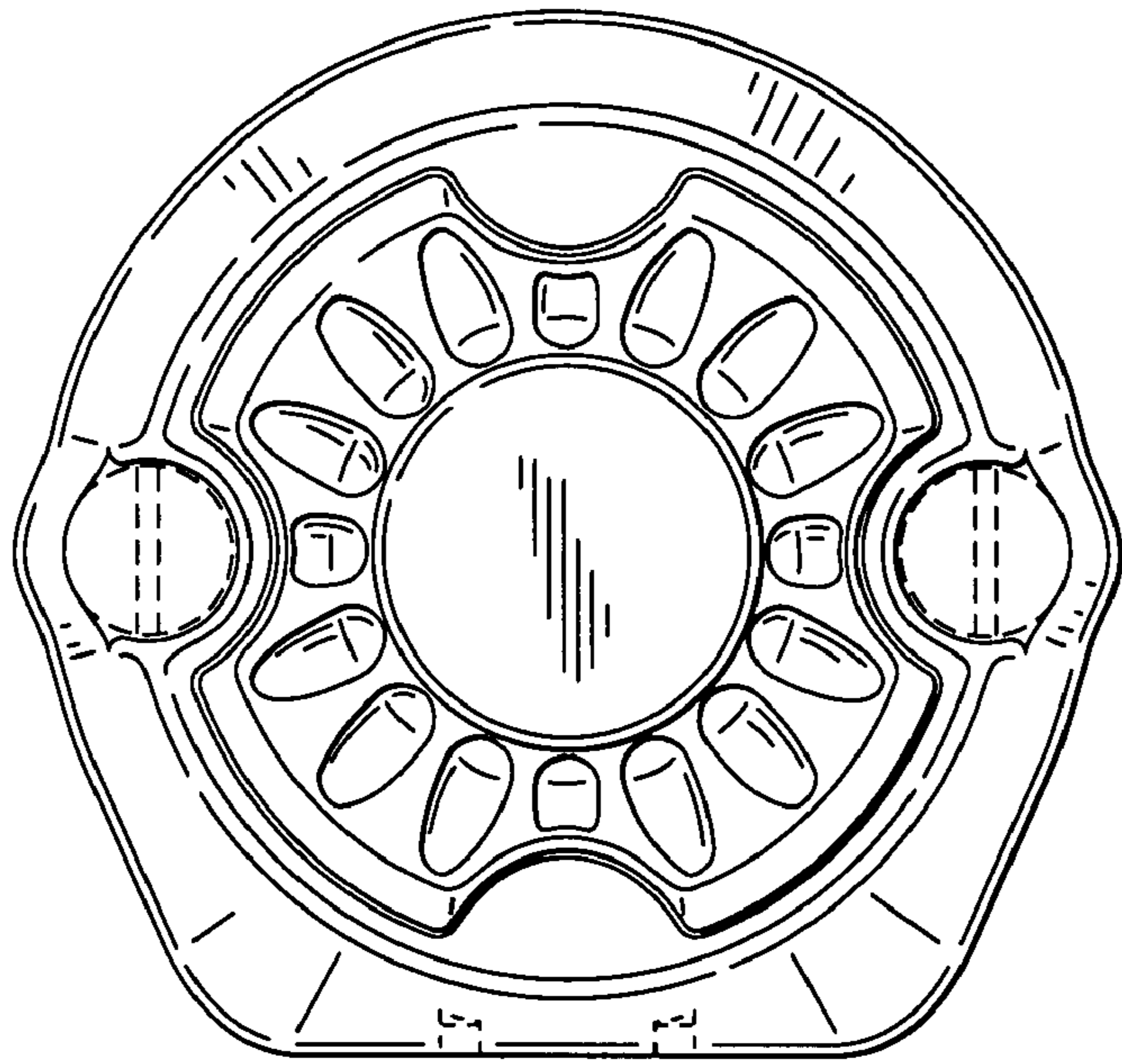


Fig. 3

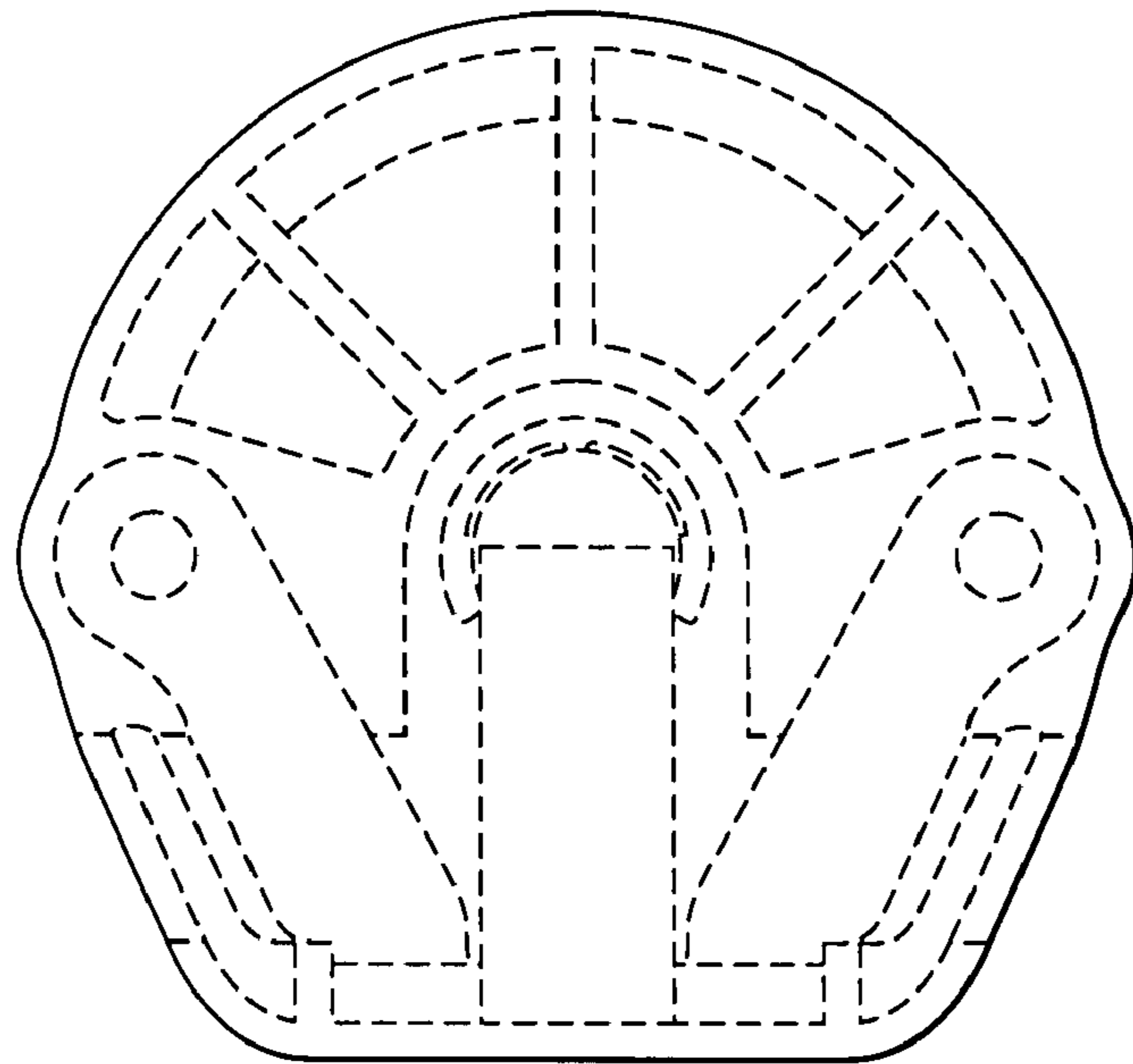


Fig. 4

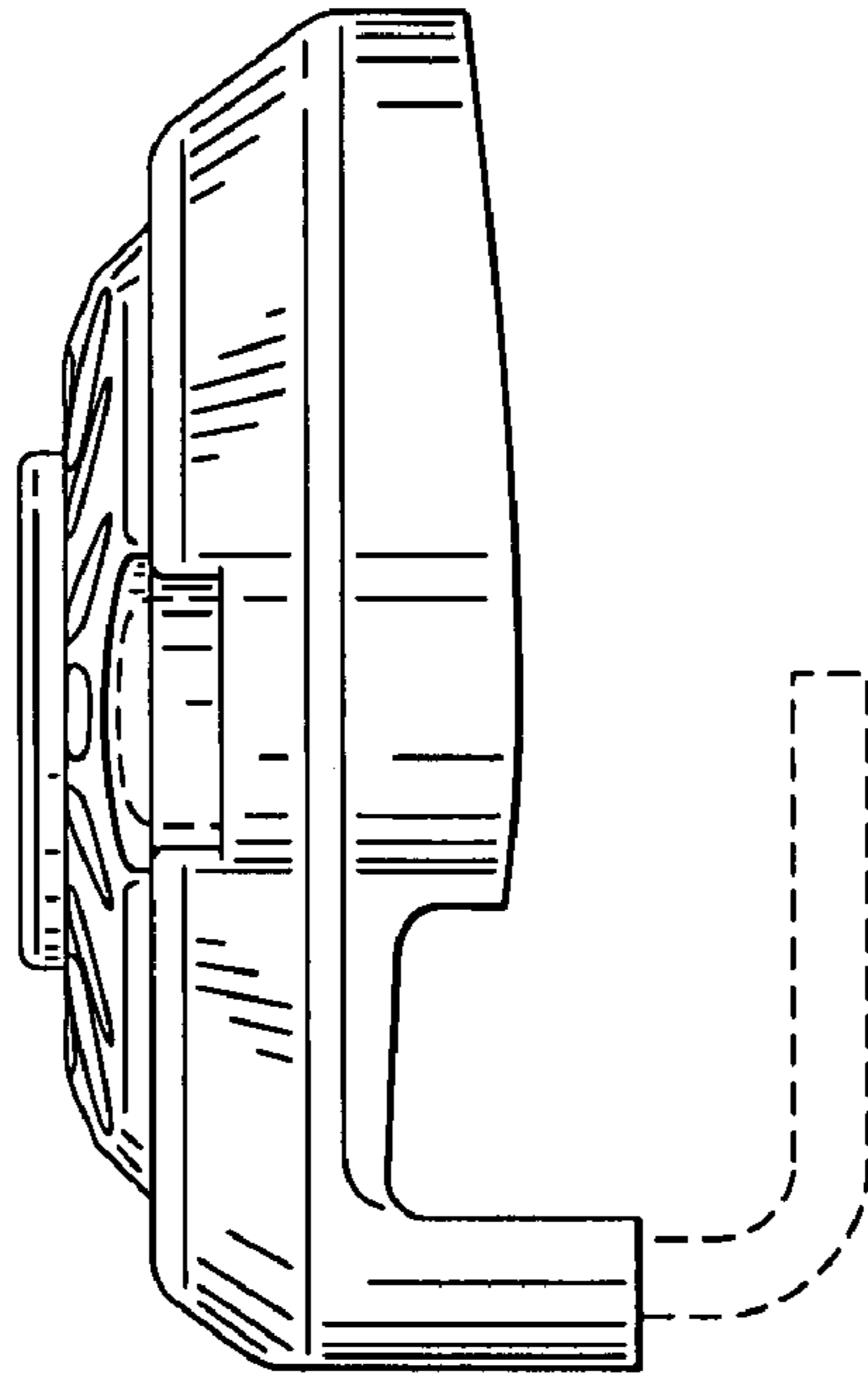


Fig. 5

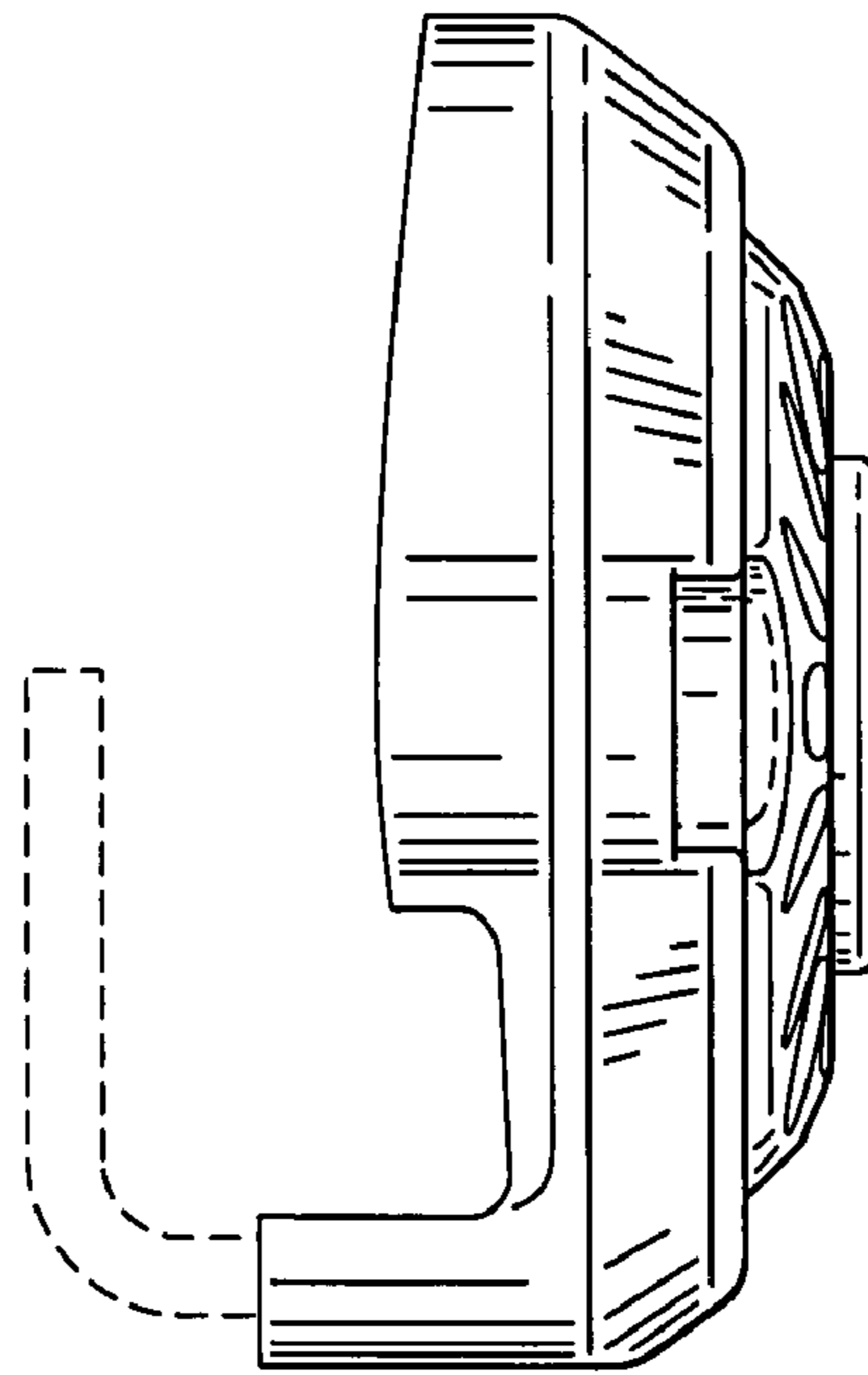


Fig. 6

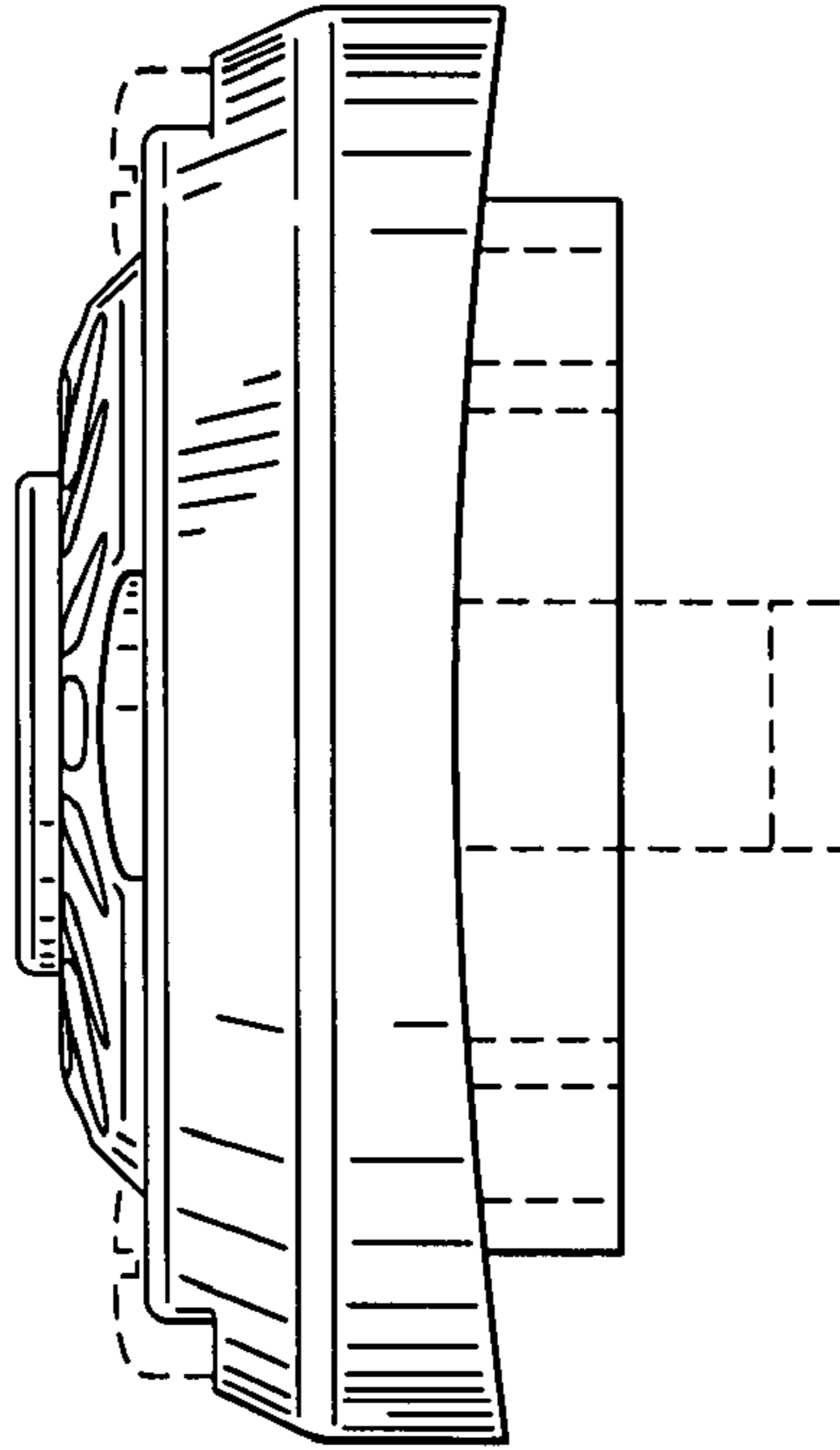


Fig. 7

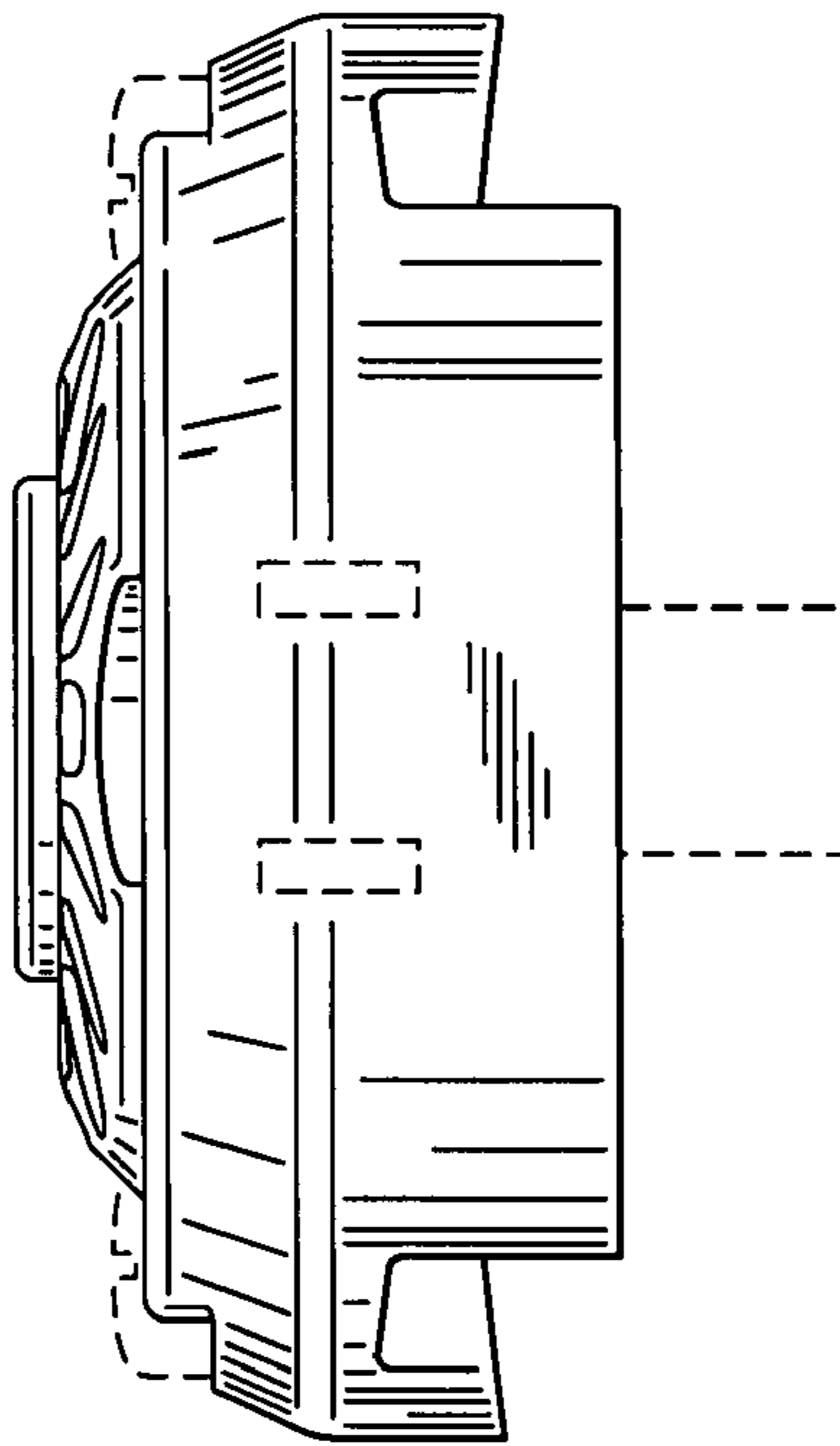


Fig. 8