



US00D578685S

(12) **United States Design Patent**  
**Manus**

(10) **Patent No.:** **US D578,685 S**  
(45) **Date of Patent:** **\*\* Oct. 14, 2008**

(54) **AUTOMOTIVE FOG AND DRIVING LAMP WITH ORNAMENTAL BEZEL AND LENS**

D572,856 S \* 7/2008 Kehl et al. .... D26/61

\* cited by examiner

(75) Inventor: **Jason Manus**, 3 Horizon Rd., Fort Lee, NJ (US) 07024

*Primary Examiner*—Marcus A. Jackson

(73) Assignee: **Jason Manus**, Fort Lee, NJ (US)

(57) **CLAIM**

(\*\*) Term: **14 Years**

The ornamental design for an automotive fog and driving lamp with ornamental bezel and lens, as shown and described.

(21) Appl. No.: **29/317,571**

**DESCRIPTION**

(22) Filed: **May 1, 2008**

FIG. 1 is a perspective view of an automotive fog and driving lamp with ornamental bezel and lens, showing my new design;

(51) **LOC (8) Cl.** ..... **26-06**

(52) **U.S. Cl.** ..... **D26/28**

(58) **Field of Classification Search** ..... D26/28-36;  
362/459-468, 475-478, 485-487

FIG. 2 is a front elevational view of the invention;

FIG. 3 is a rear elevational view of the invention;

See application file for complete search history.

FIG. 4 is a left-side elevational view of the invention, the right-side elevational view being a mirror image thereof;

(56) **References Cited**

**U.S. PATENT DOCUMENTS**

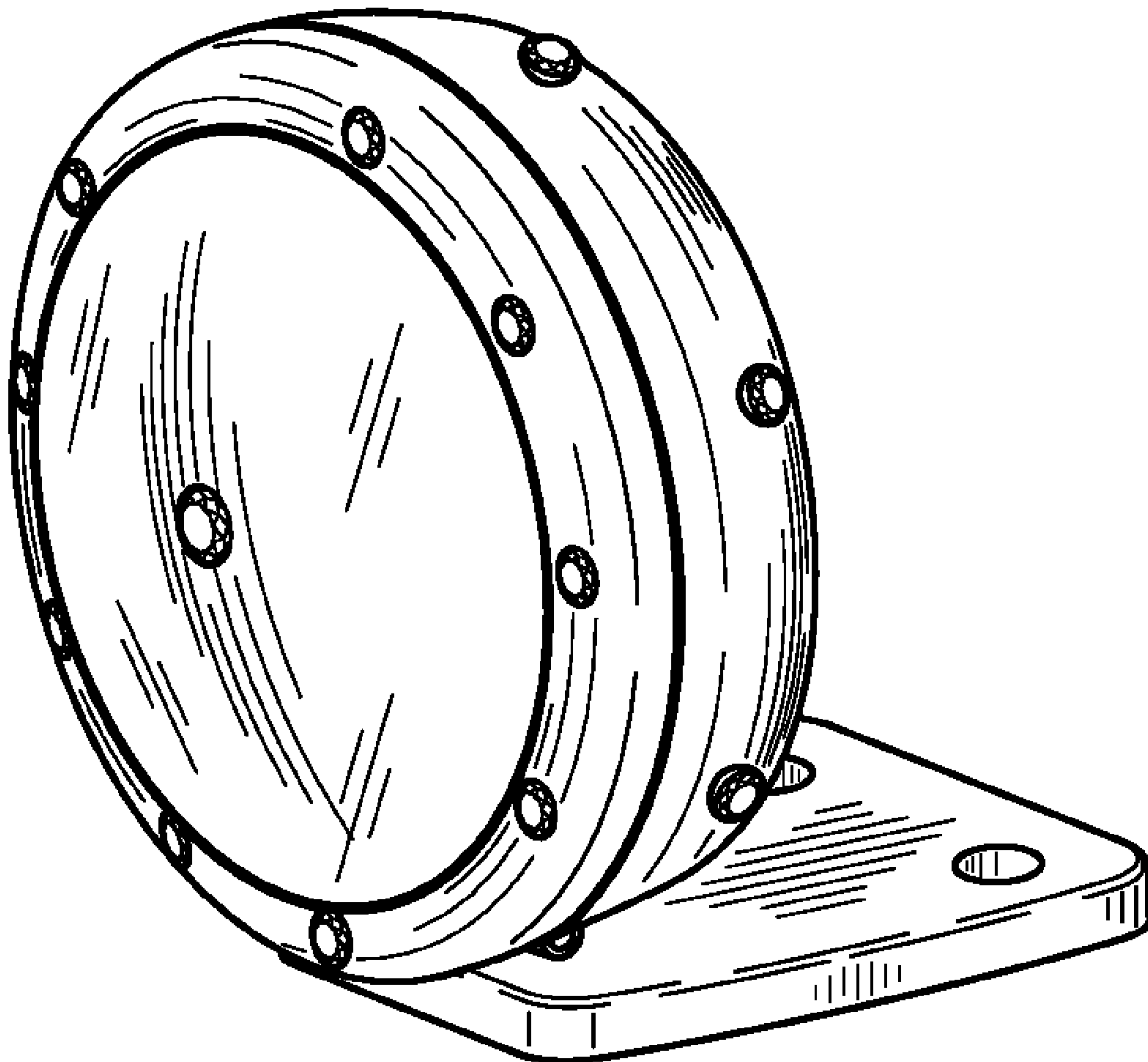
D510,636 S \* 10/2005 Yamamoto ..... D26/28

D564,683 S \* 3/2008 Roach et al. .... D26/28

FIG. 5 is a top plan view of the invention; and,

FIG. 6 is a bottom plan view of the invention.

**1 Claim, 2 Drawing Sheets**



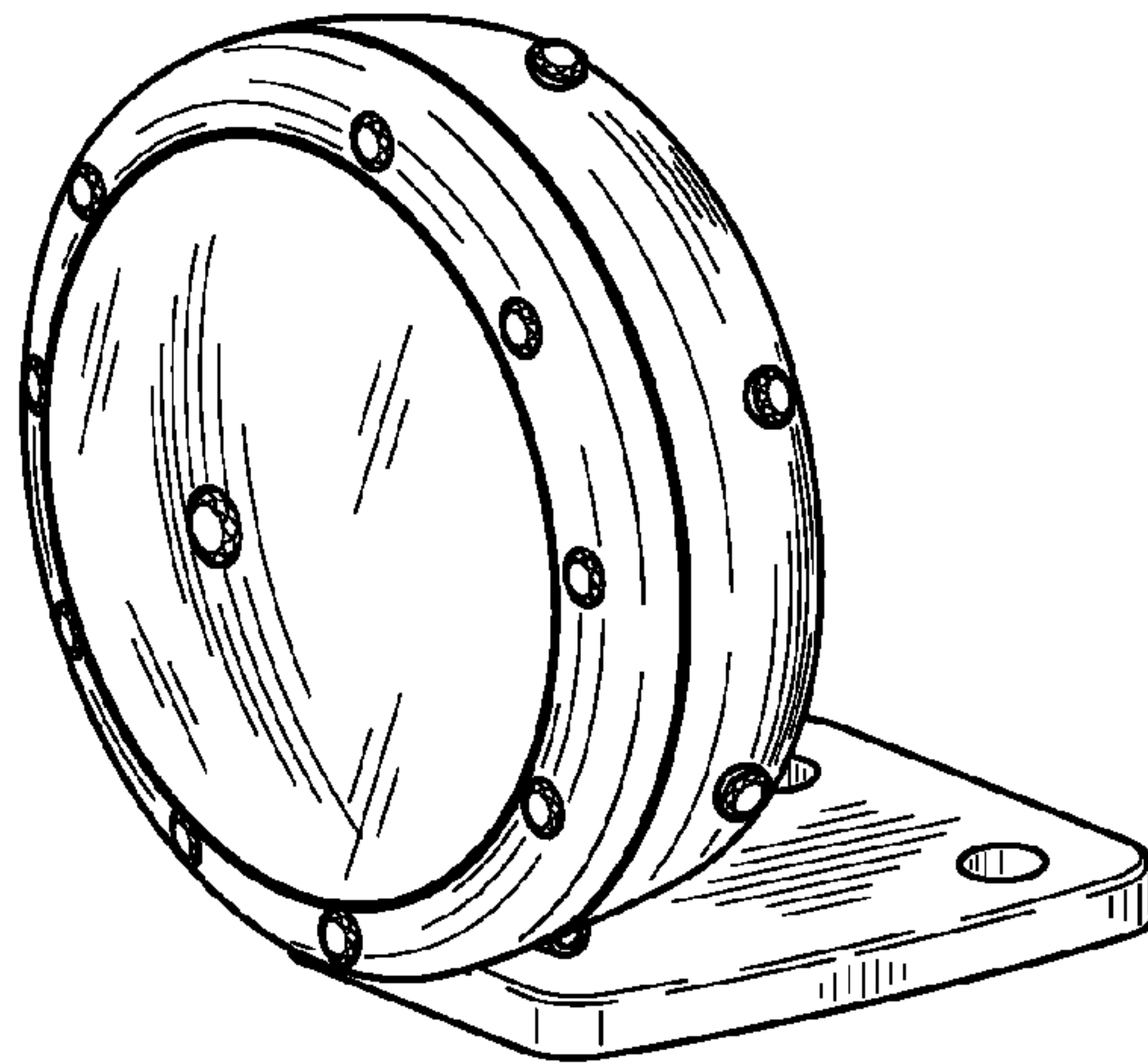


FIG. 1

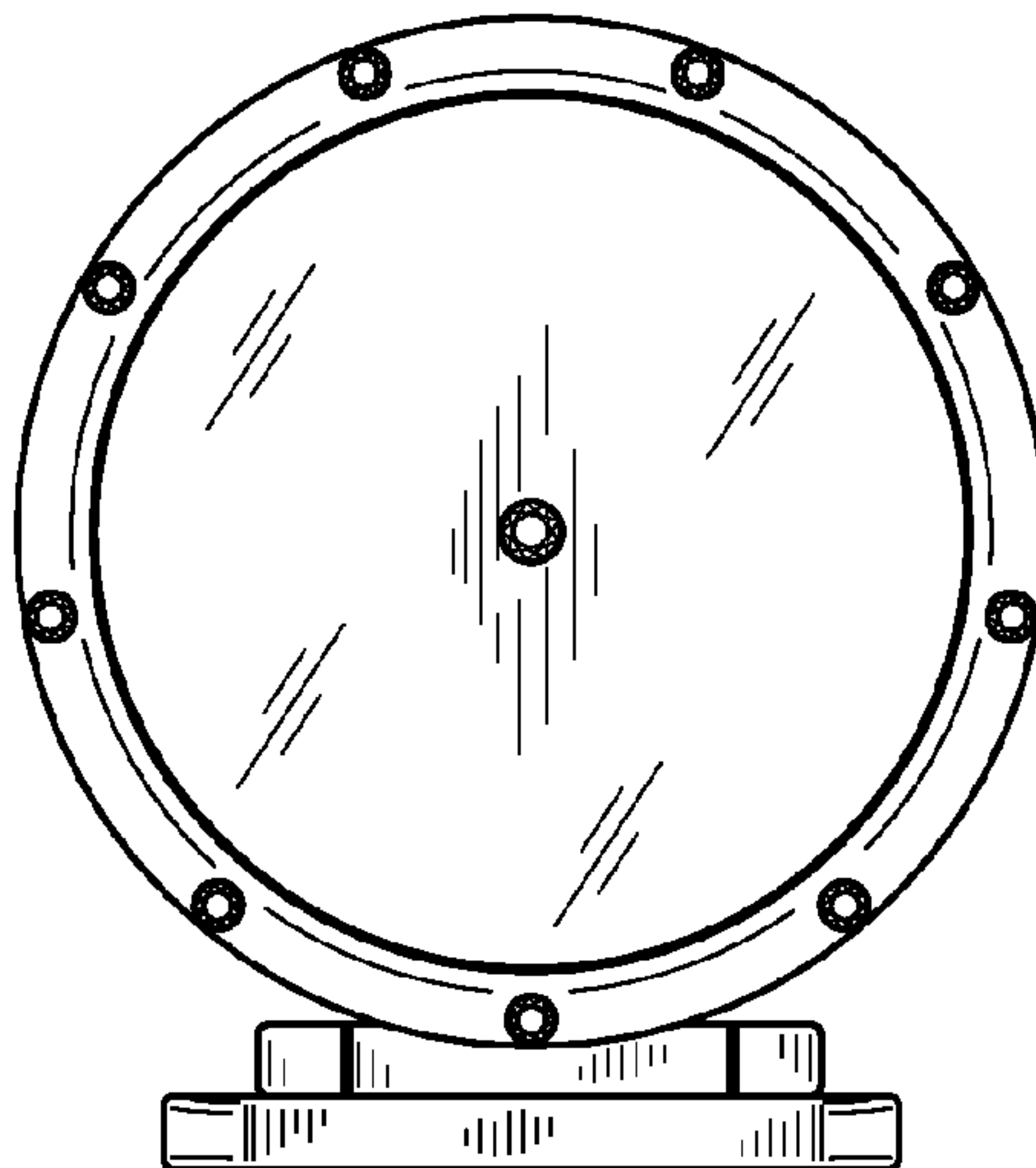


FIG. 2

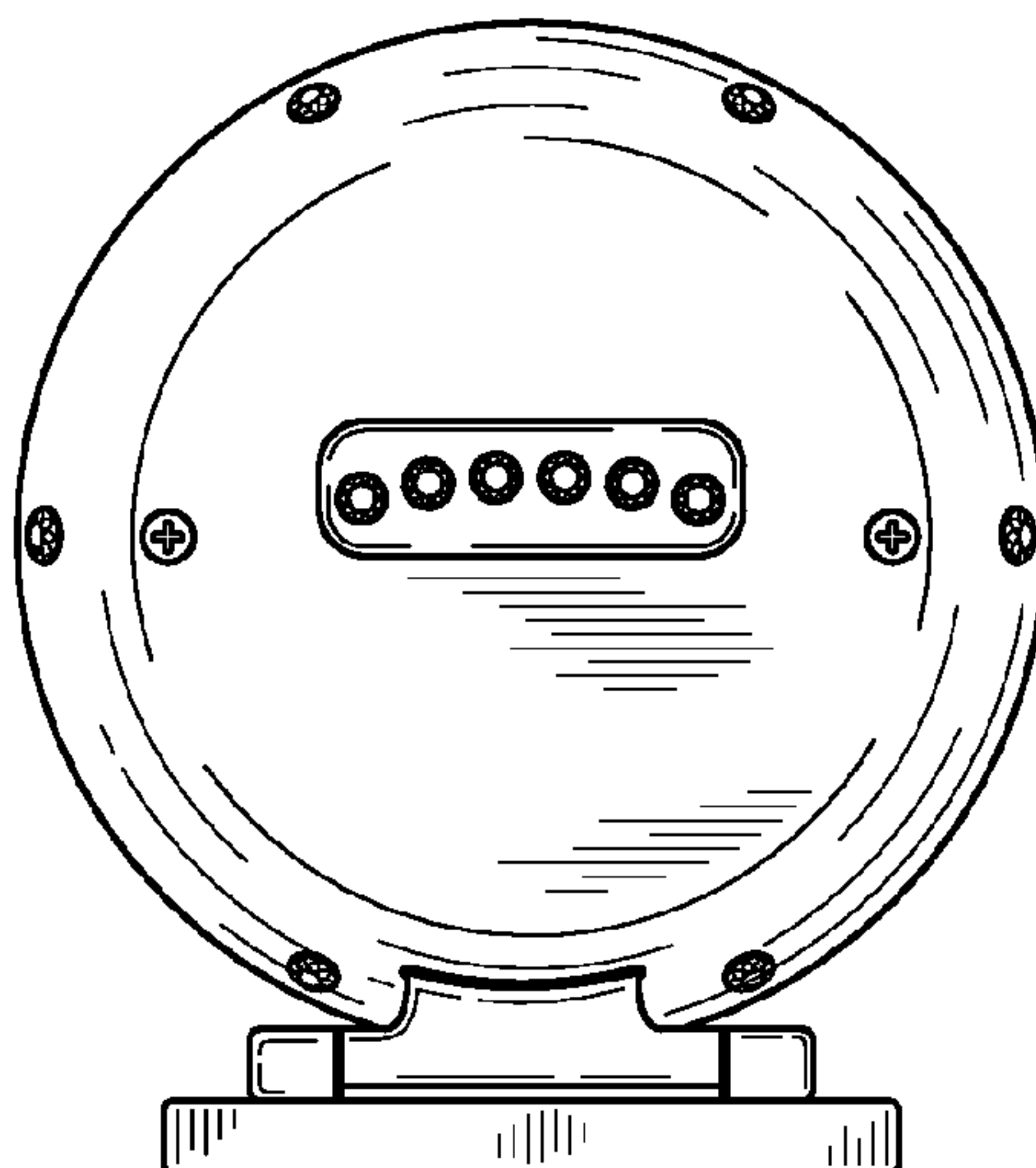


FIG. 3

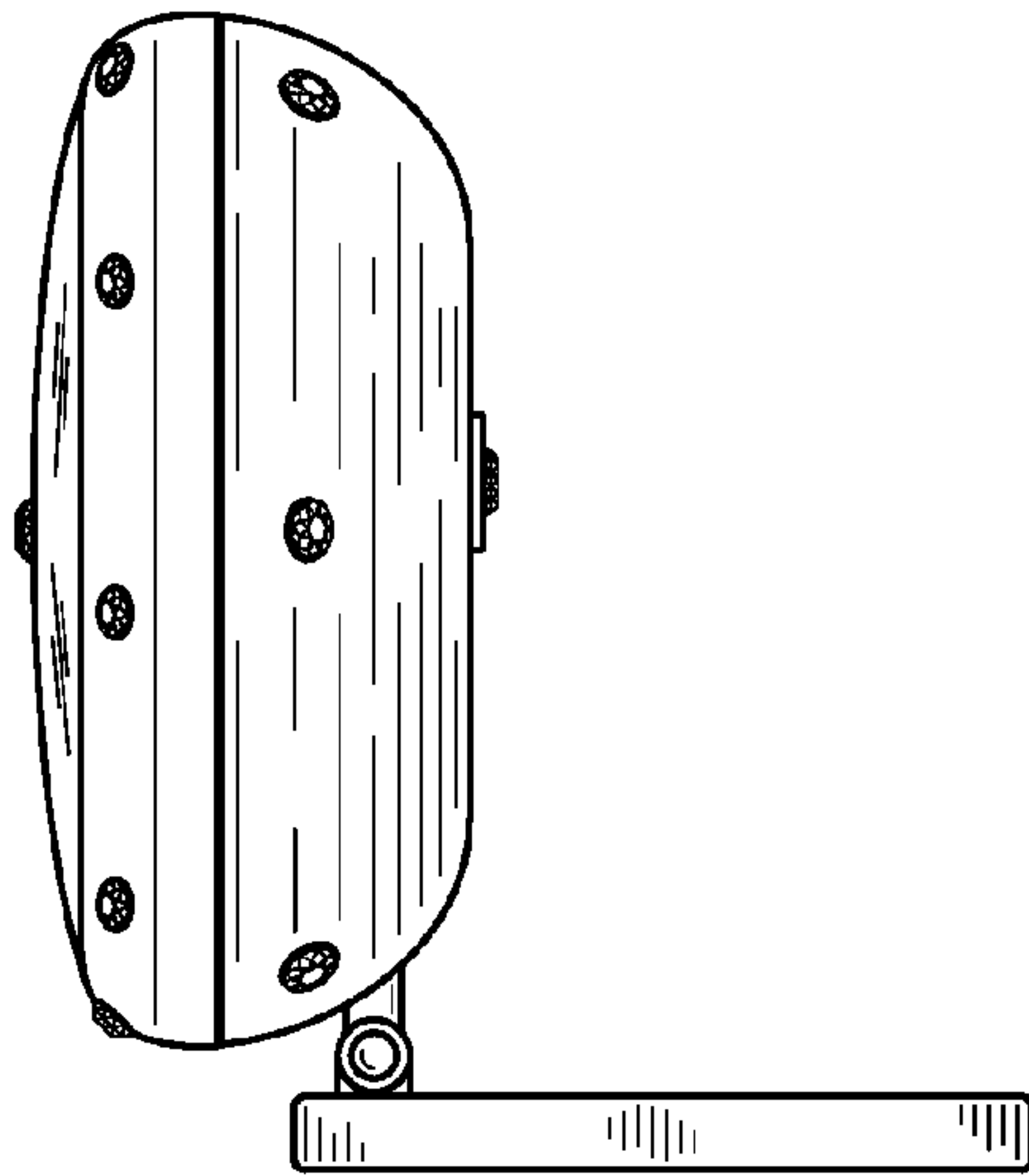


FIG. 4

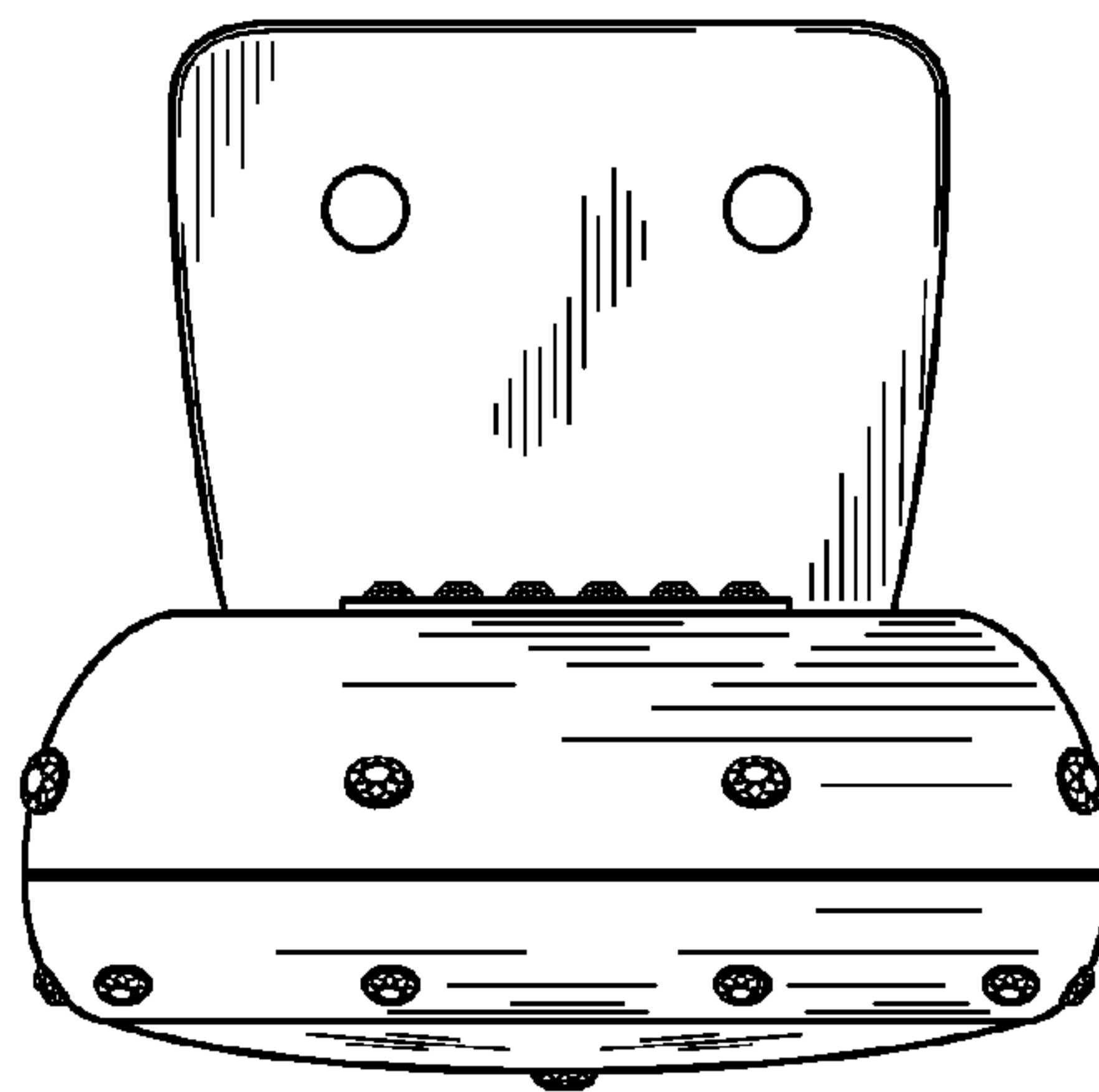


FIG. 5

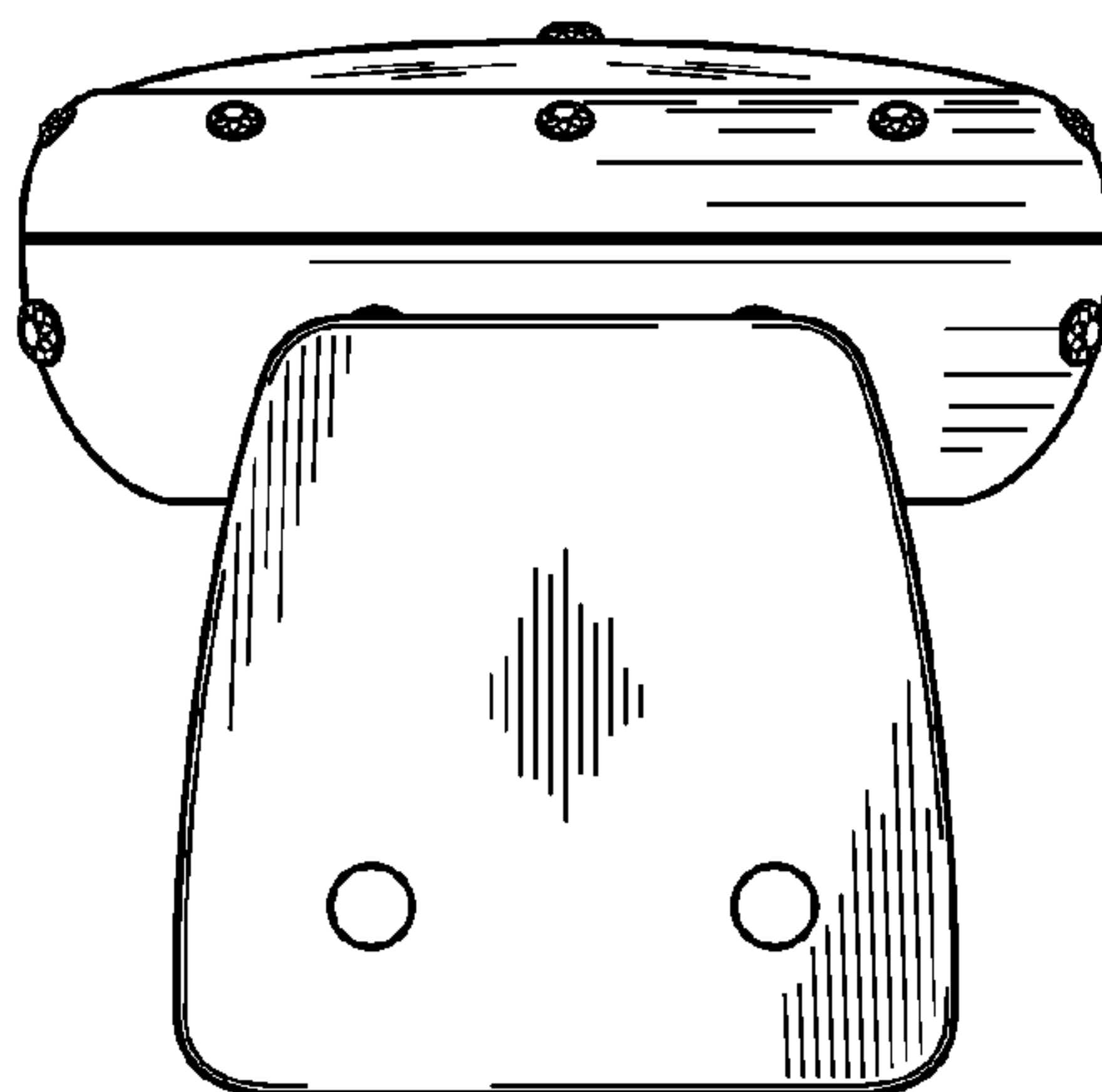


FIG. 6