



US00D578679S

(12) **United States Design Patent**
Huang

(10) **Patent No.:** **US D578,679 S**

(45) **Date of Patent:** **** Oct. 14, 2008**

(54) **RECTANGULAR SHAPED SPYDER LED LIGHT WITH REFLECTOR**

D561,360 S * 2/2008 Wang D26/28

* cited by examiner

(75) Inventor: **Nan Huang Huang**, Rancho Palos Verdes, CA (US)

Primary Examiner—Marcus A. Jackson

(74) *Attorney, Agent, or Firm*—Thomas I. Rozsa

(73) Assignee: **Grand General Accessories Manufacturing**, Rancho Dominguez, CA (US)

(57) **CLAIM**

The ornamental design for a rectangular shaped spyder LED light with reflector, as shown and described.

(**) Term: **14 Years**

DESCRIPTION

(21) Appl. No.: **29/294,977**

FIG. 1 is a top perspective view of a rectangular shaped spyder LED light with reflector;

(22) Filed: **Feb. 5, 2008**

FIG. 2 is a top plan view;

(51) **LOC (8) Cl.** **26-06**

FIG. 3 is a bottom plan view;

(52) **U.S. Cl.** **D26/28**

FIG. 4 is a front elevational view;

(58) **Field of Classification Search** D26/28-36;
362/459-468, 475-478, 485-487

FIG. 5 is a rear elevational view;

See application file for complete search history.

FIG. 6 is a right side elevational view when viewed from the right side; and,

(56) **References Cited**

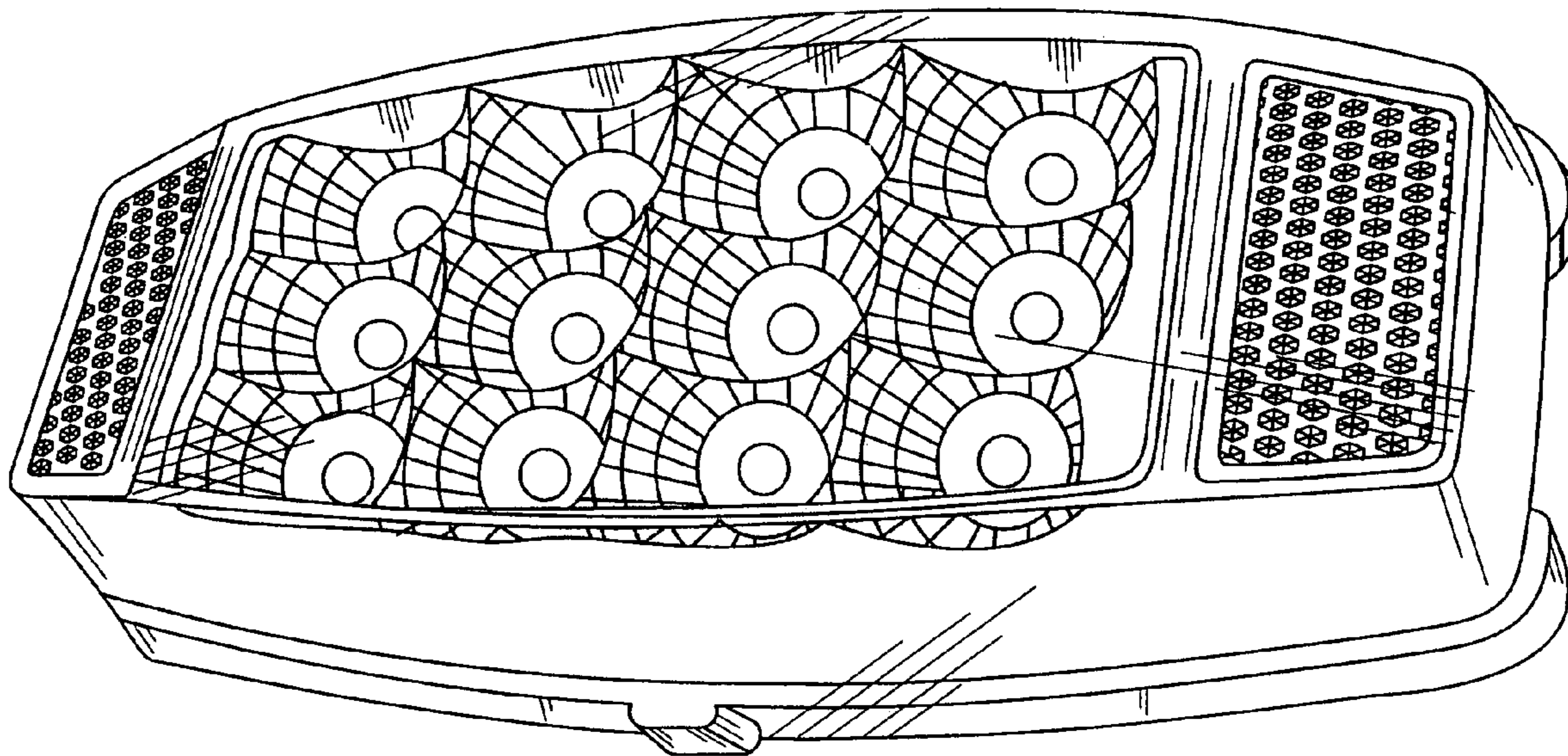
FIG. 7 is a left side elevational view when viewed from the left side.

U.S. PATENT DOCUMENTS

D540,965 S * 4/2007 Chiang D26/28

D542,444 S * 5/2007 Rogers et al. D26/28

1 Claim, 5 Drawing Sheets



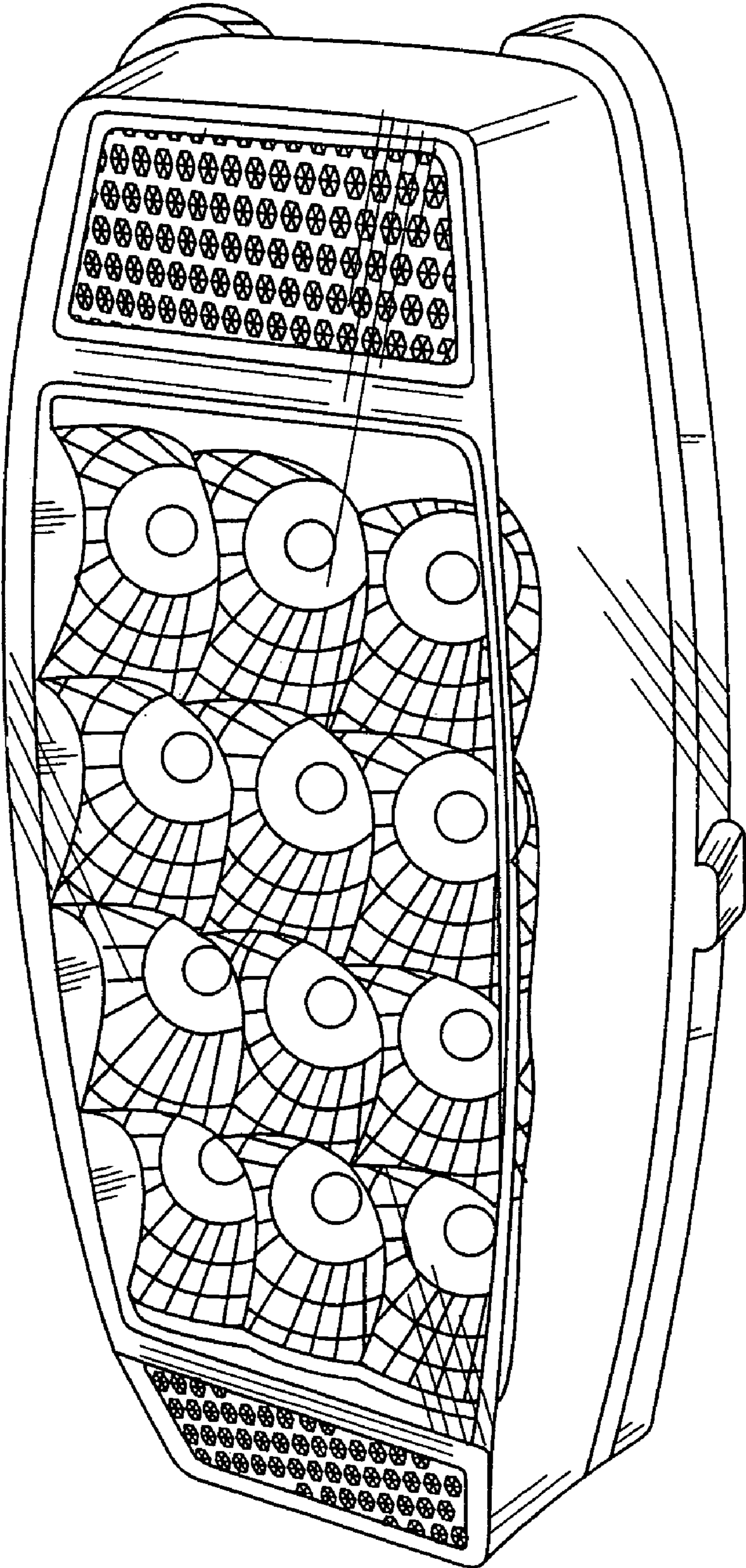


FIG. 1

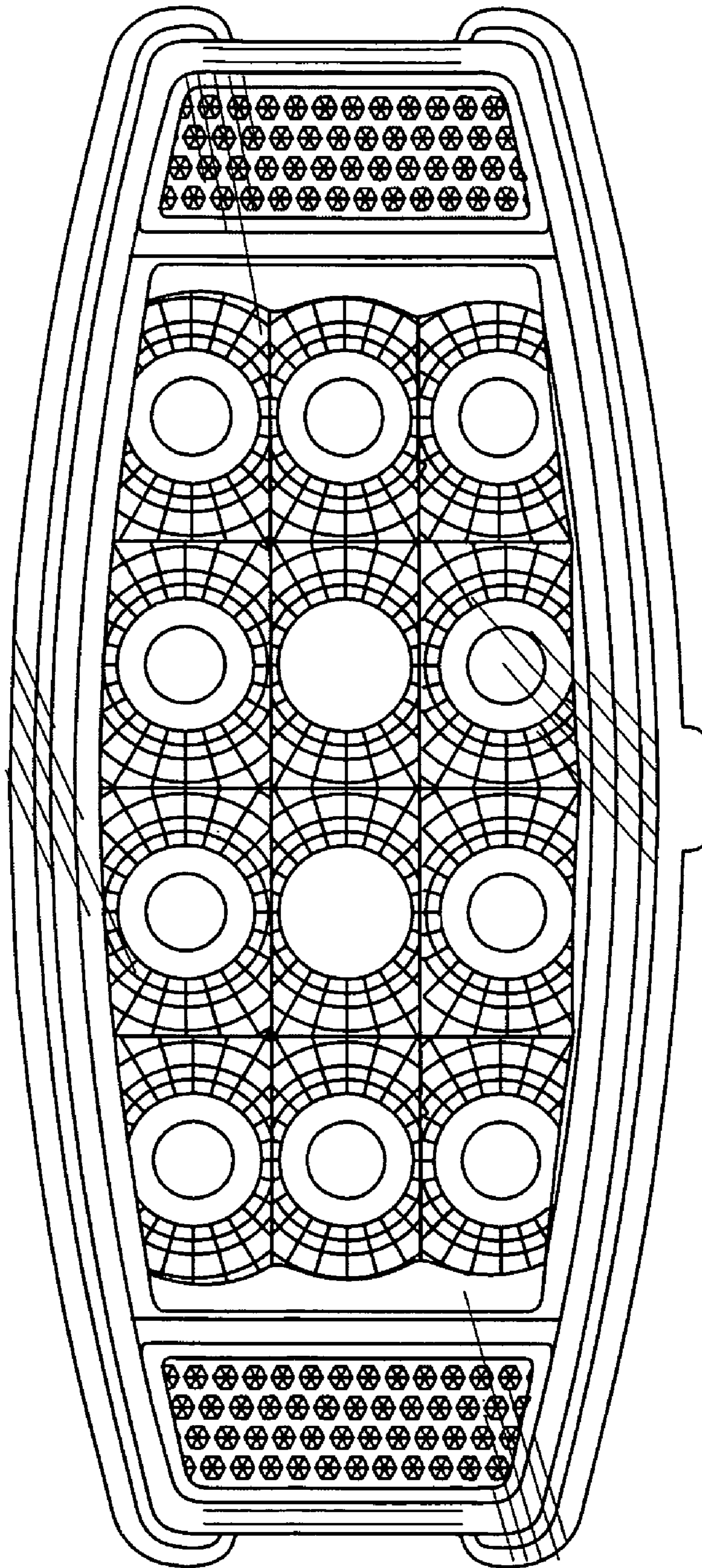


FIG. 2

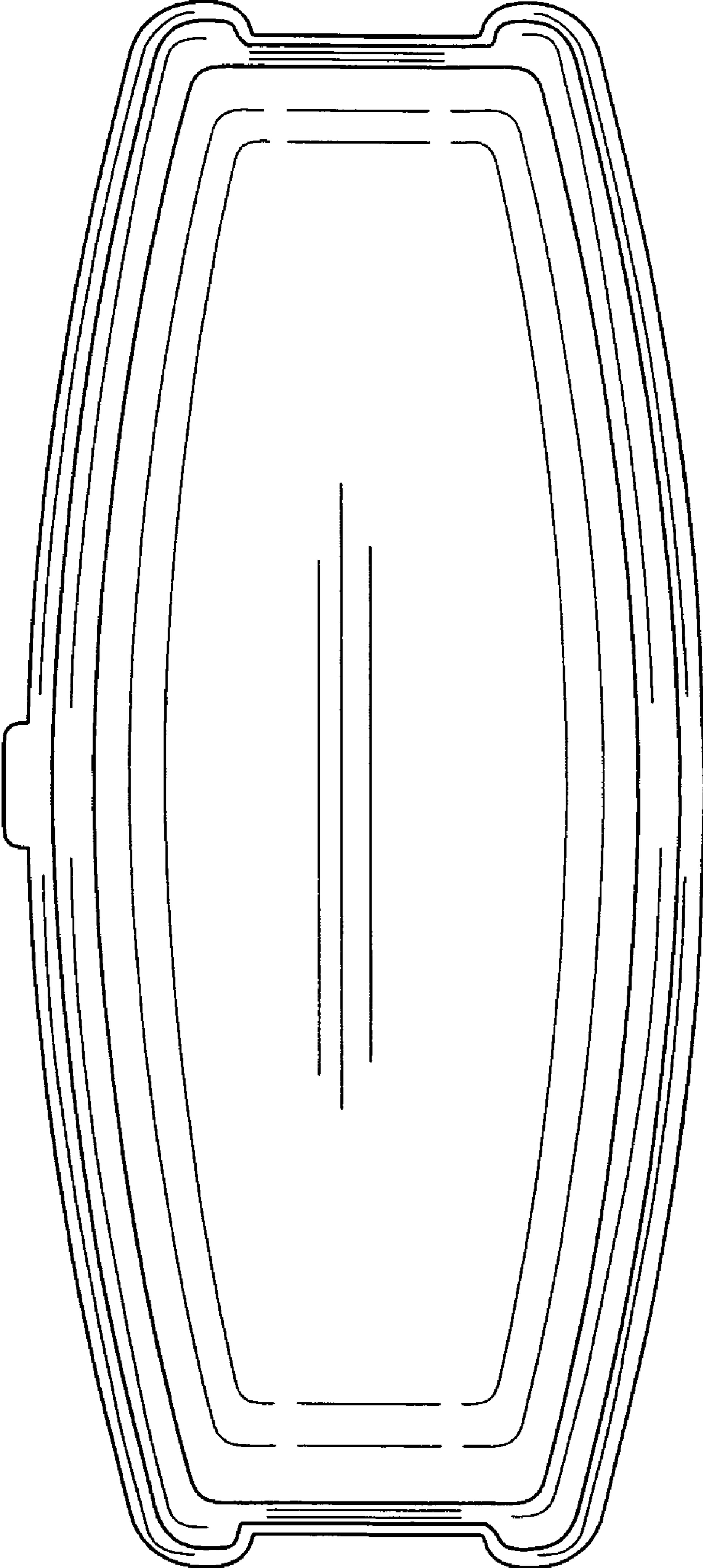


FIG. 3

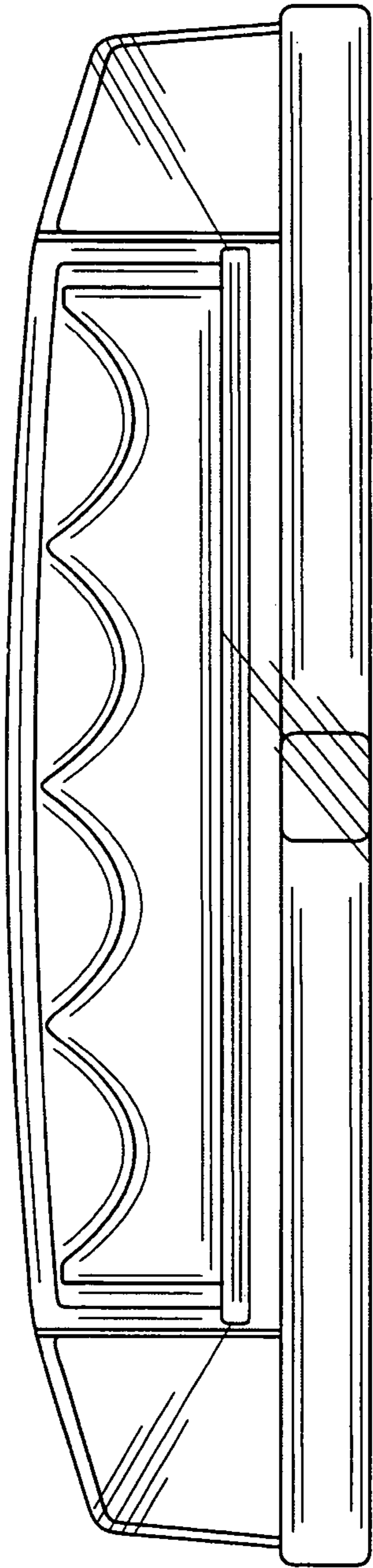


FIG. 4

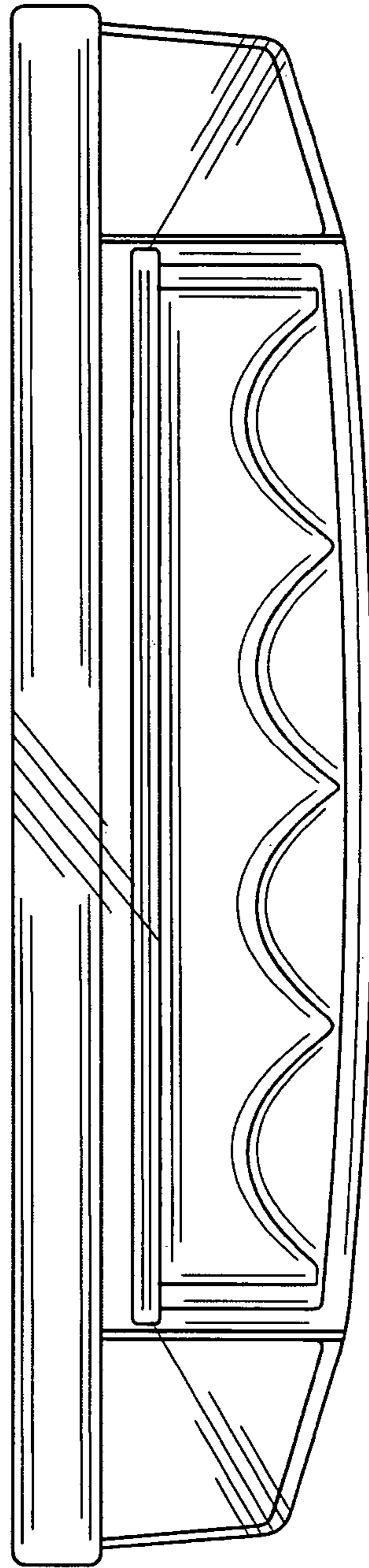


FIG. 5

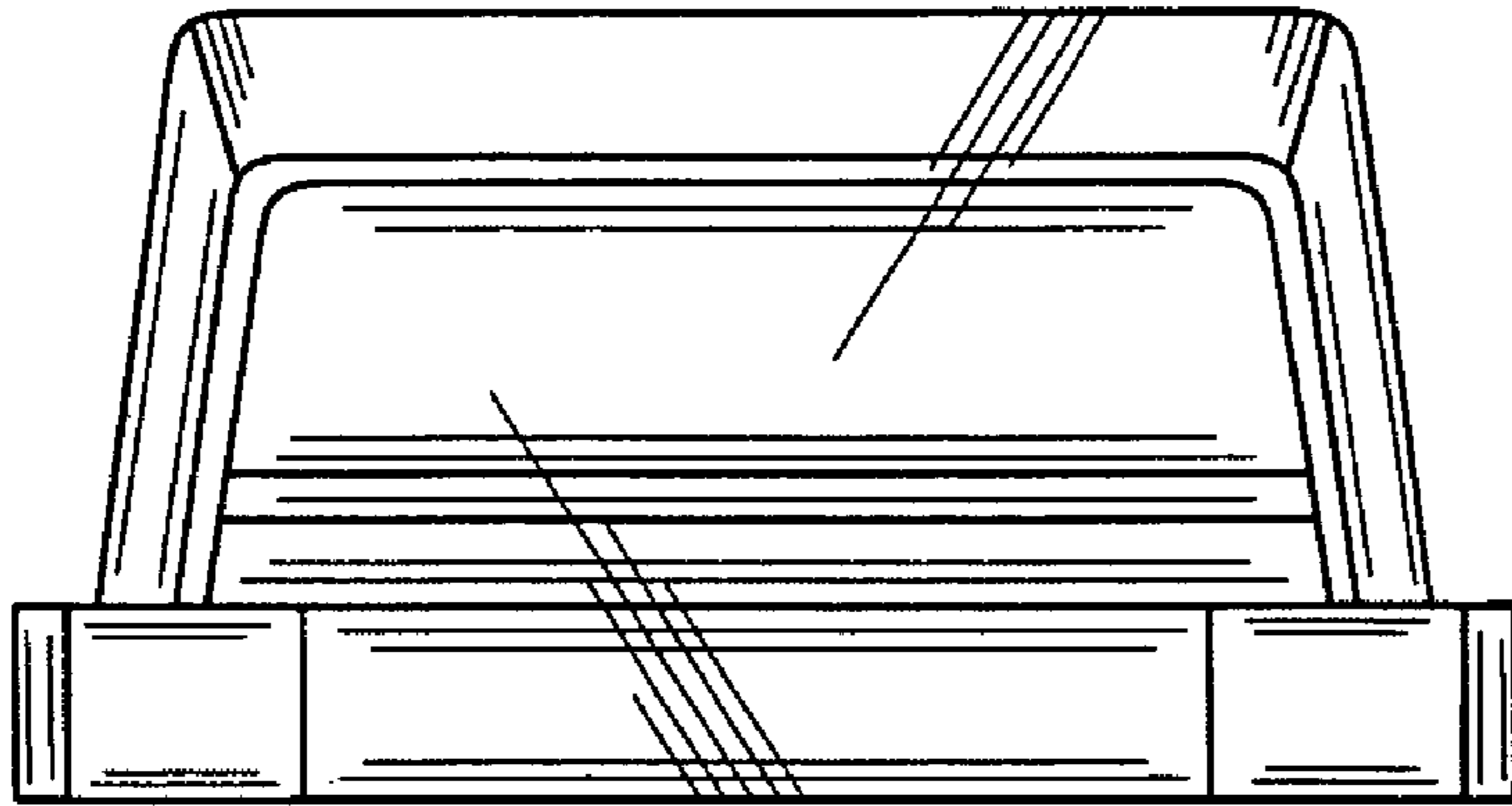


FIG. 7

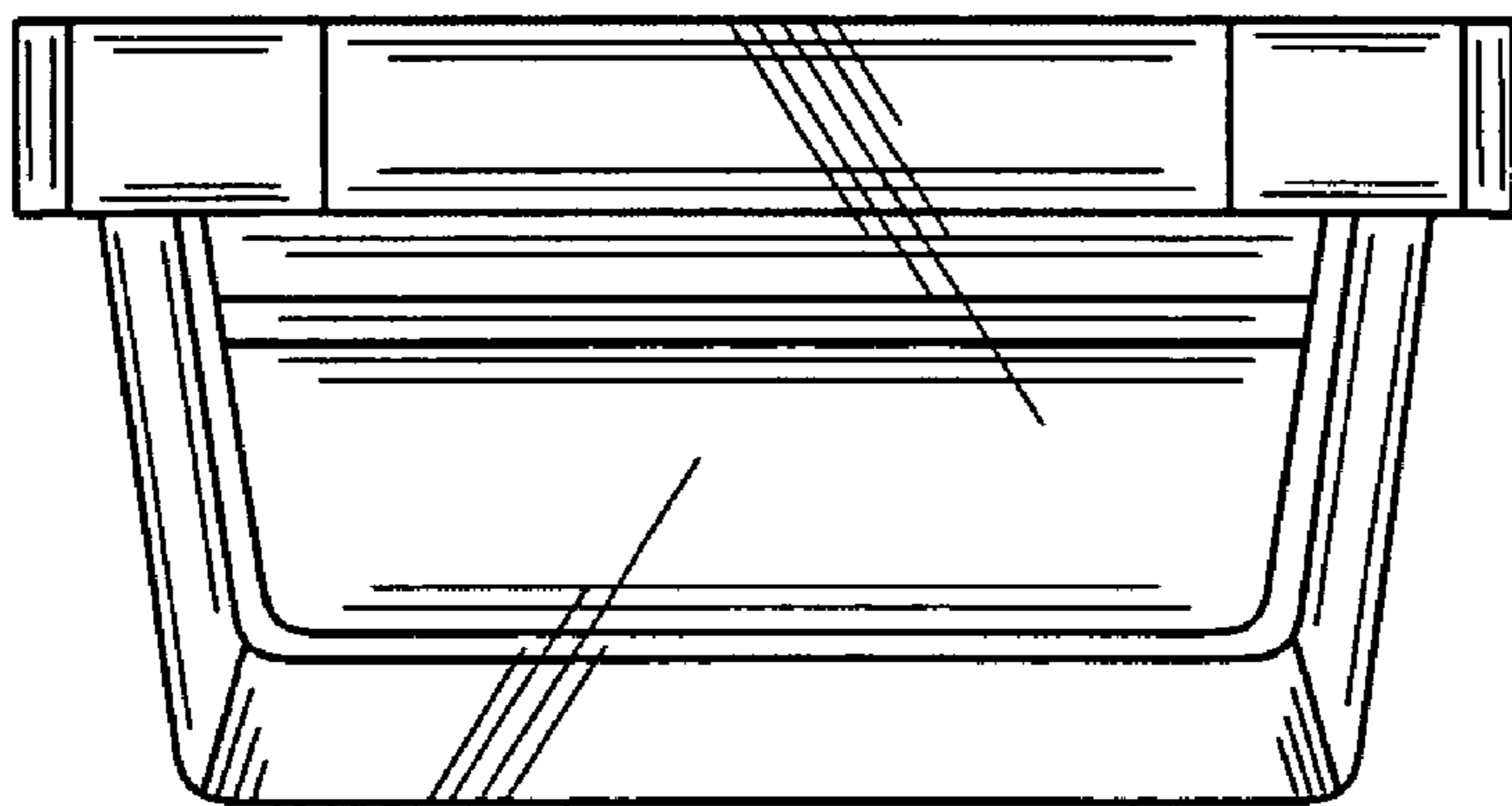


FIG. 6