



US00D578673S

(12) **United States Design Patent**
Takada et al.

(10) **Patent No.:** **US D578,673 S**
(45) **Date of Patent:** **** Oct. 14, 2008**

(54) **LIGHT EMITTING DIODE LAMP**
(75) Inventors: **Tadashi Takada**, Tokyo (JP); **Hajime Ohno**, Tokyo (JP); **Kazuo Egawa**, Tokyo (JP)

D334,990 S * 4/1993 Sekiguchi et al. D26/1
D432,095 S * 10/2000 Seeger et al. D13/182
D488,137 S * 4/2004 Kamada D13/182
D535,037 S * 1/2007 Kim et al. D26/1
D566,861 S * 4/2008 Takada et al. D26/1

(73) Assignee: **Toshiba Lighting & Technology Corporation**, Tokyo (JP)

* cited by examiner

(**) Term: **14 Years**

Primary Examiner—Clare E Heflin
(74) *Attorney, Agent, or Firm*—J.C. Patents

(21) Appl. No.: **29/297,855**

(57) **CLAIM**

(22) Filed: **Nov. 20, 2007**

The ornamental design for a light emitting diode lamp, as shown and described.

(30) **Foreign Application Priority Data**

May 28, 2007 (JP) 2007-013981

DESCRIPTION

(51) **LOC (8) Cl.** **26-04**

FIG. 1 is a perspective view of a light emitting diode lamp showing the new design;

(52) **U.S. Cl.** **D26/1; D26/24**

FIG. 2 is a front view thereof;

(58) **Field of Classification Search** D26/1,
D26/2, 24, 72, 76–78, 80, 86, 35, 36, 37;
D13/182; 362/100, 127, 133, 240, 605, 612,
362/613, 640, 646, 648, 632

FIG. 3 is a rear view thereof;

FIG. 4 is a left side view thereof;

See application file for complete search history.

FIG. 5 is a right side view thereof; and

FIG. 6 is a top view thereof, the bottom view being a mirror image thereof; and,

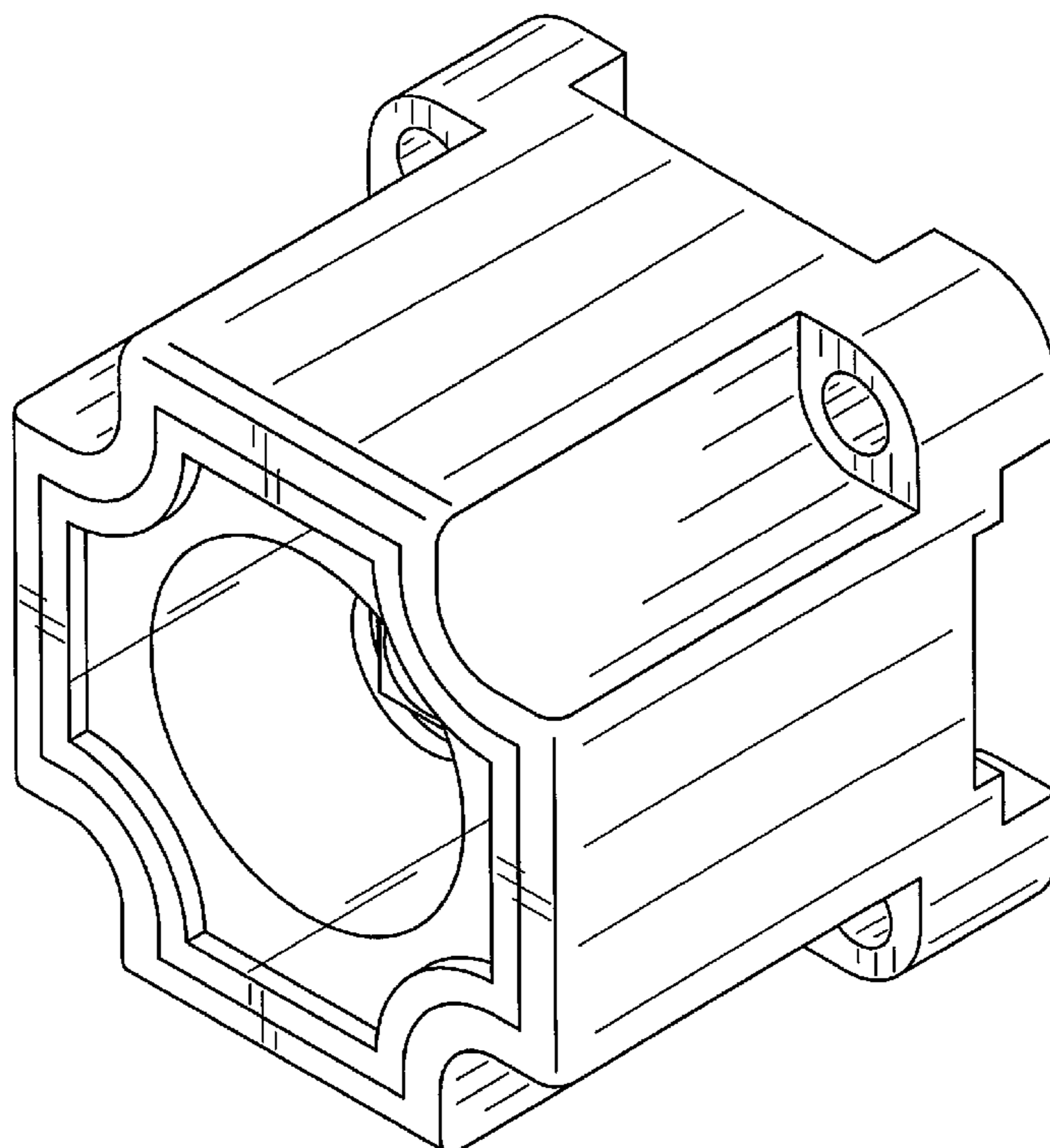
(56) **References Cited**

U.S. PATENT DOCUMENTS

D82,862 S * 12/1930 Von Nessen D26/72
D87,355 S * 7/1932 Pospisil D26/72
D246,203 S * 10/1977 Harris D26/80

FIG. 7 is a cross-sectional view taken along line 7—7 in FIG. 2 with the internal parts omitted, wherein the portions having the double slanted lines are transparent.

1 Claim, 7 Drawing Sheets



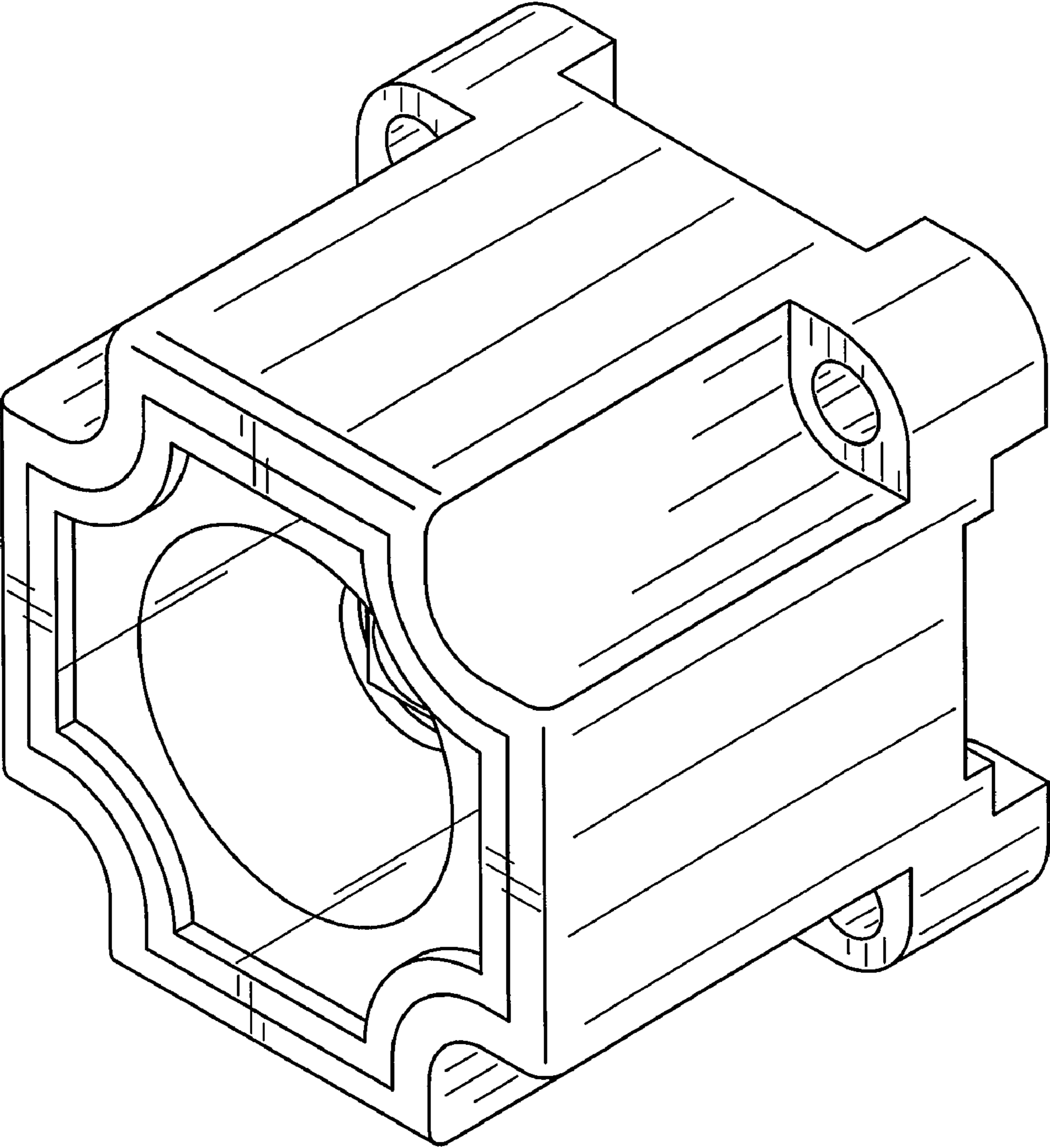


FIG. 1

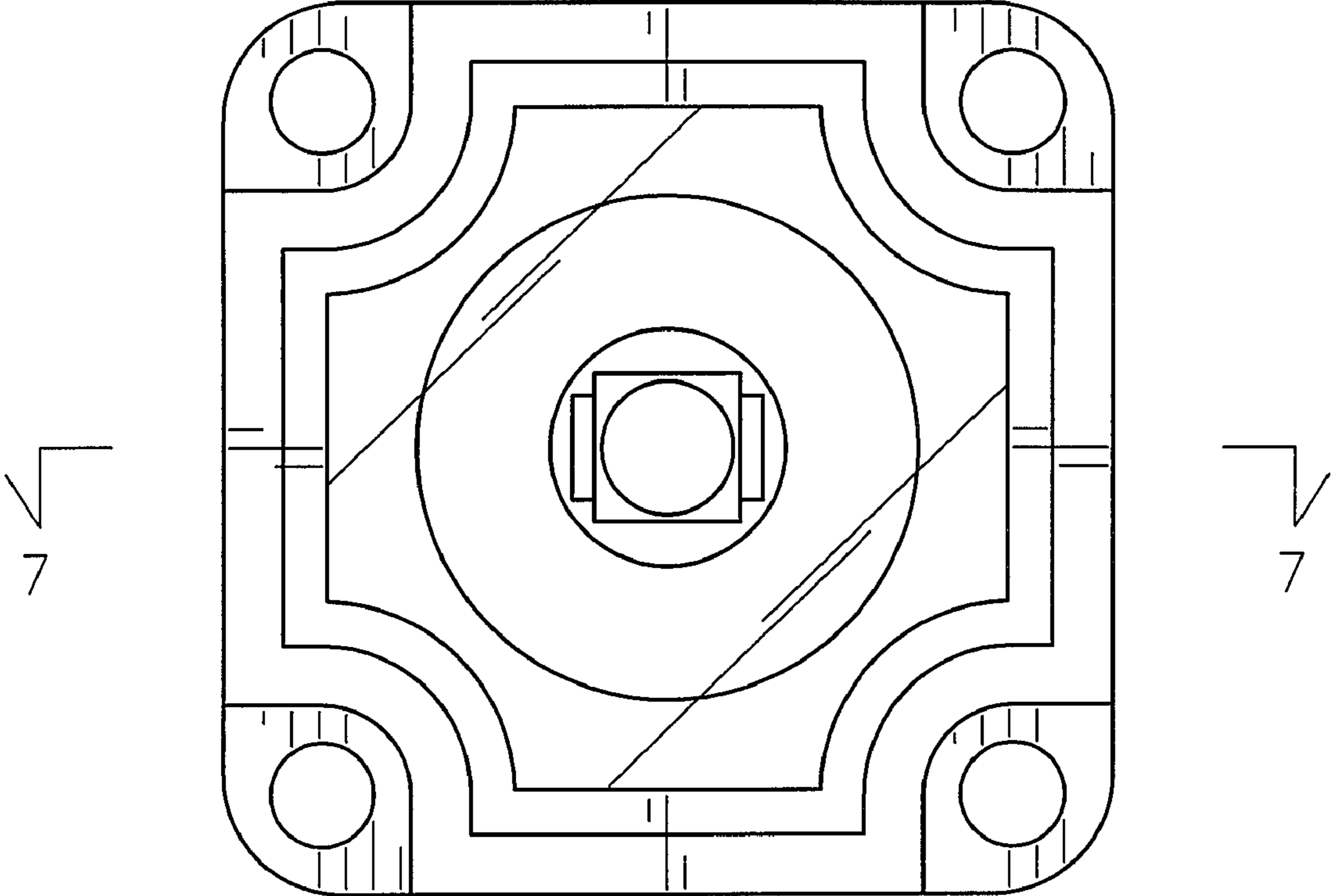


FIG. 2

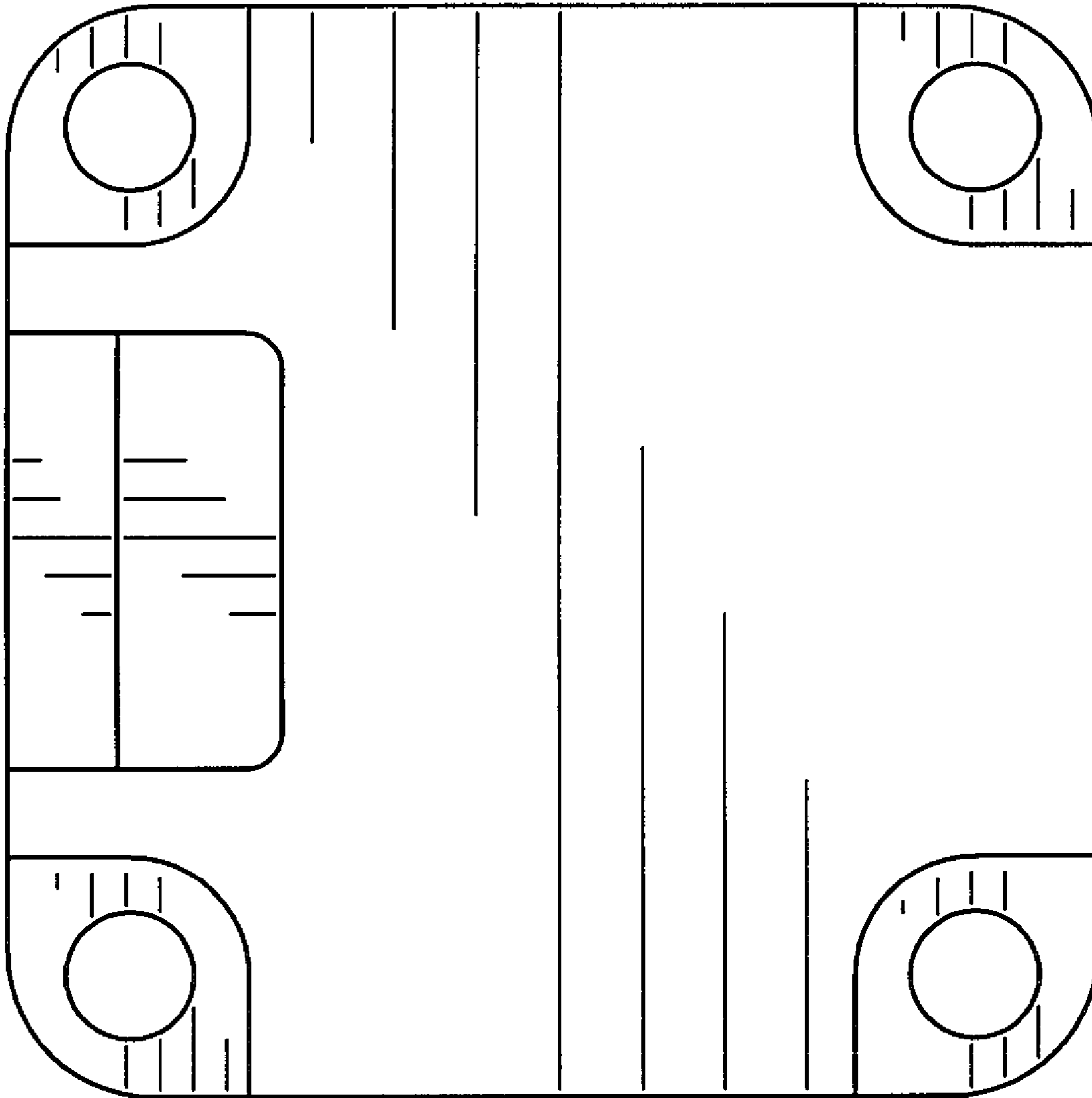


FIG. 3

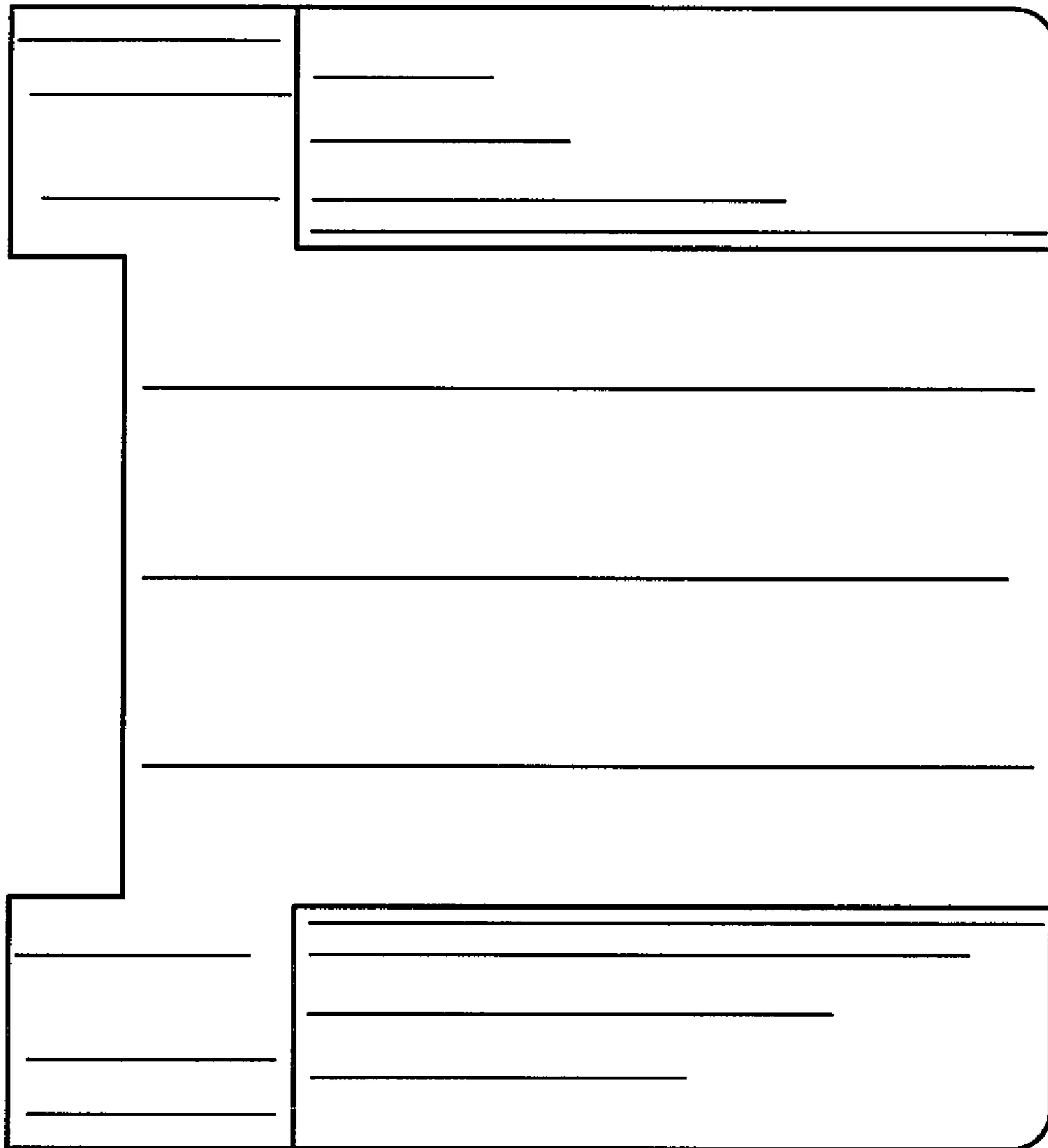


FIG. 4

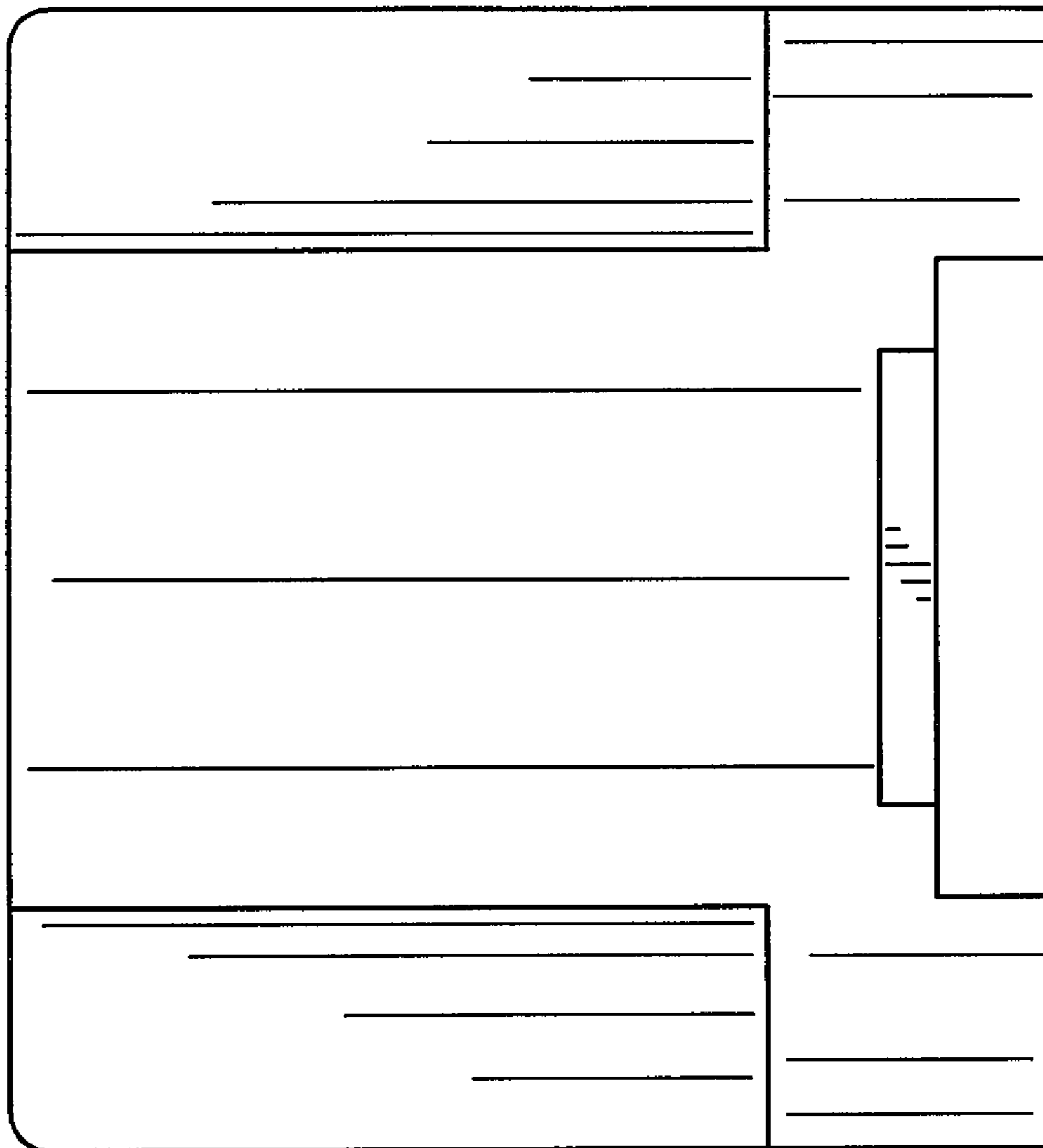


FIG. 5

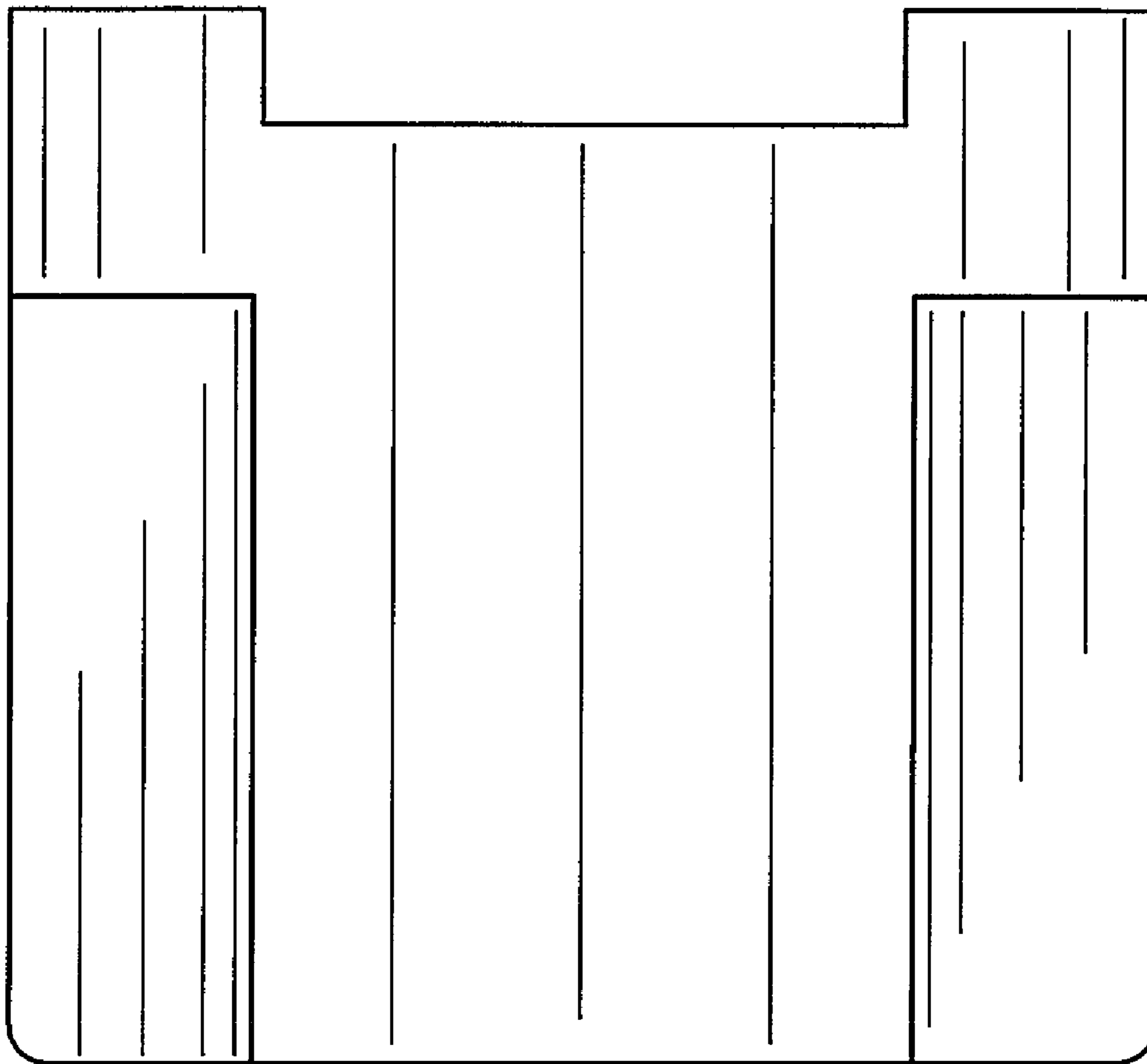


FIG. 6

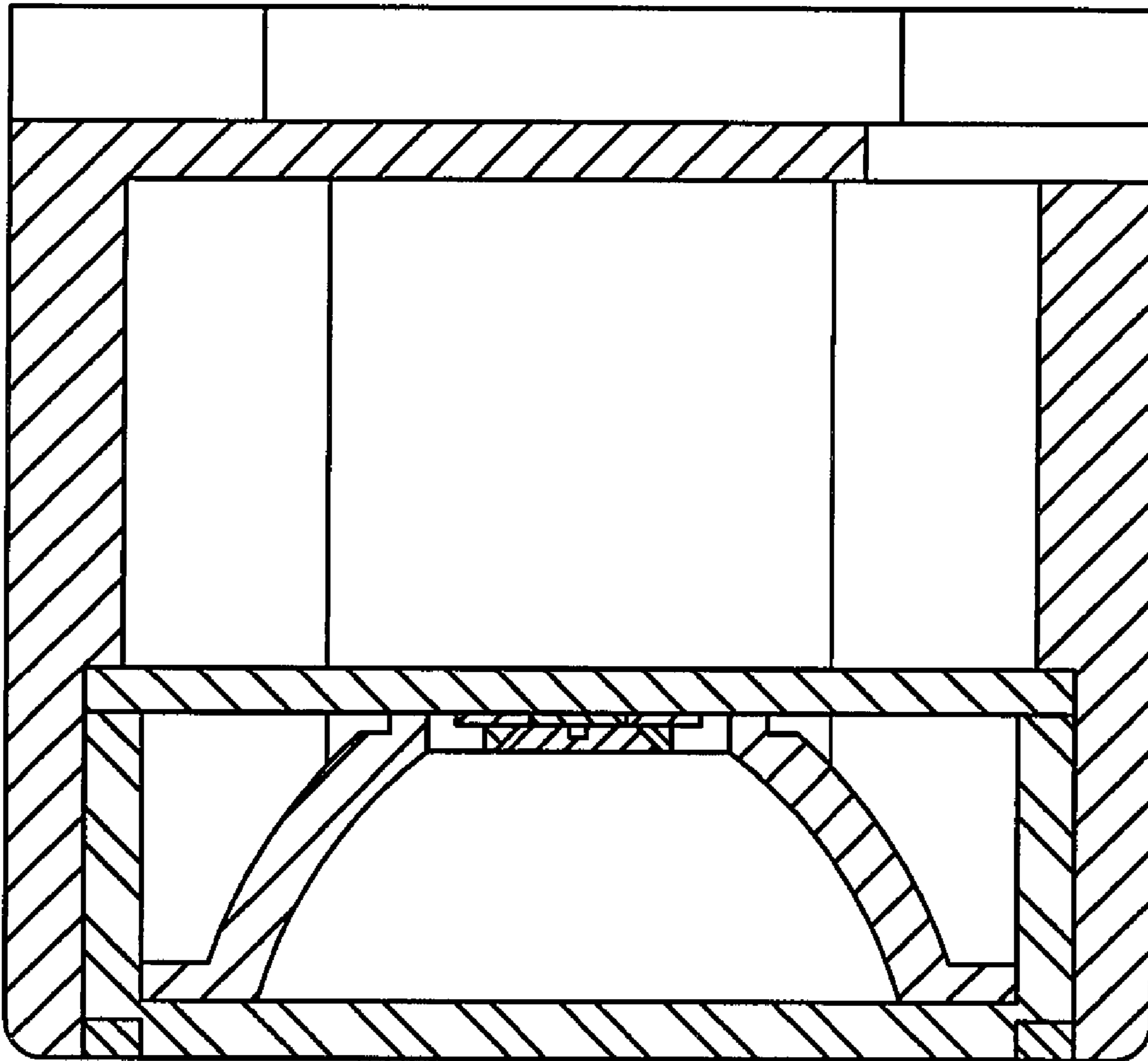


FIG. 7