



US00D578672S

(12) **United States Design Patent**
Takada et al.

(10) **Patent No.:** **US D578,672 S**
(45) **Date of Patent:** **** Oct. 14, 2008**

(54) **LIGHT EMITTING DIODE LAMP**

(75) Inventors: **Tadashi Takada**, Tokyo (JP); **Hajime Ohno**, Tokyo (JP); **Kazuo Egawa**, Tokyo (JP)

(73) Assignee: **Toshiba Lighting & Technology Corporation**, Tokyo (JP)

(**) Term: **14 Years**

(21) Appl. No.: **29/297,401**

(22) Filed: **Nov. 9, 2007**

(30) **Foreign Application Priority Data**

May 11, 2007 (JP) 2007-012506

(51) **LOC (8) Cl.** **26-04**

(52) **U.S. Cl.** **D26/1; D26/24**

(58) **Field of Classification Search** D26/1, D26/2, 24, 76-78, 80, 86, 35, 36; D13/182; 362/100, 127, 133, 240, 605, 612, 613, 640, 362/646, 648

See application file for complete search history.

(56) **References Cited**

U.S. PATENT DOCUMENTS

D92,659 S * 7/1934 Kaynor D26/83
D101,034 S * 9/1936 Glatthar et al. D26/80
D128,125 S * 7/1941 Rutledge D26/24
D128,126 S * 7/1941 Rutledge D26/1
3,638,009 A * 1/1972 Strianese 362/632
D284,109 S * 6/1986 Seal, Jr. D26/72

D315,801 S * 3/1991 Luger D26/24
D324,924 S * 3/1992 Bengochea D26/88
D548,857 S * 8/2007 Egawa D26/1

FOREIGN PATENT DOCUMENTS

JP 1285743 9/2006

* cited by examiner

Primary Examiner—Clare E Heflin

(74) *Attorney, Agent, or Firm*—J.C. Patents

(57) **CLAIM**

The ornamental design for a light emitting diode lamp, as shown and described.

DESCRIPTION

FIG. 1 is a perspective view of a light emitting diode lamp showing the new design;

FIG. 2 is a front view thereof;

FIG. 3 is a rear view thereof;

FIG. 4 is a right side view thereof, the left side view being a mirror image thereof;

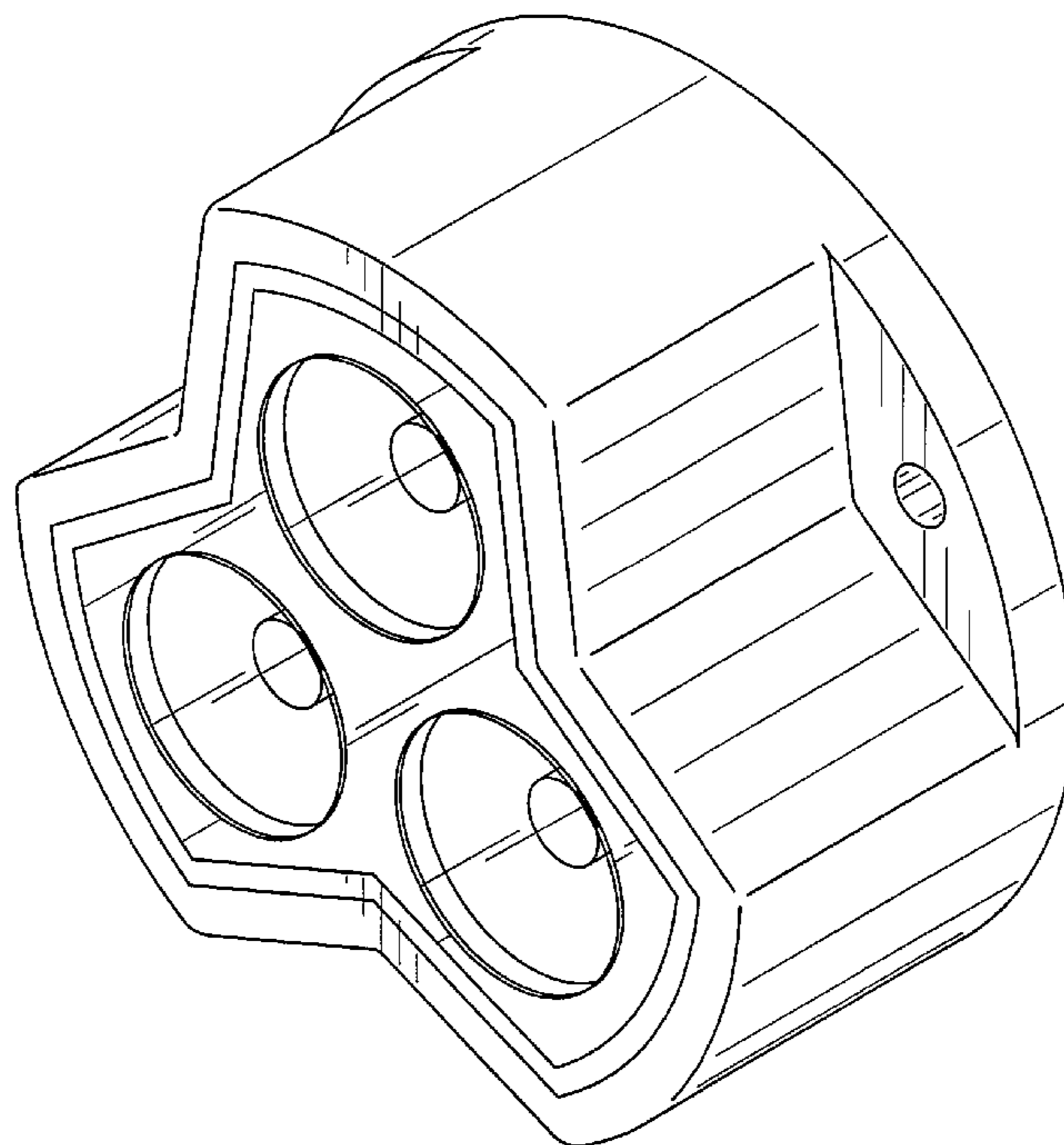
FIG. 5 is a top view thereof;

FIG. 6 is a bottom view thereof; and,

FIG. 7 is a cross-sectional view taken along line 7—7 in FIG. 2 with the internal parts omitted, wherein the portions having the double slanted lines are transparent.

The front surface of the transparent portion is processed by satin frosting except the three circular regions shown in FIG. 2.

1 Claim, 6 Drawing Sheets



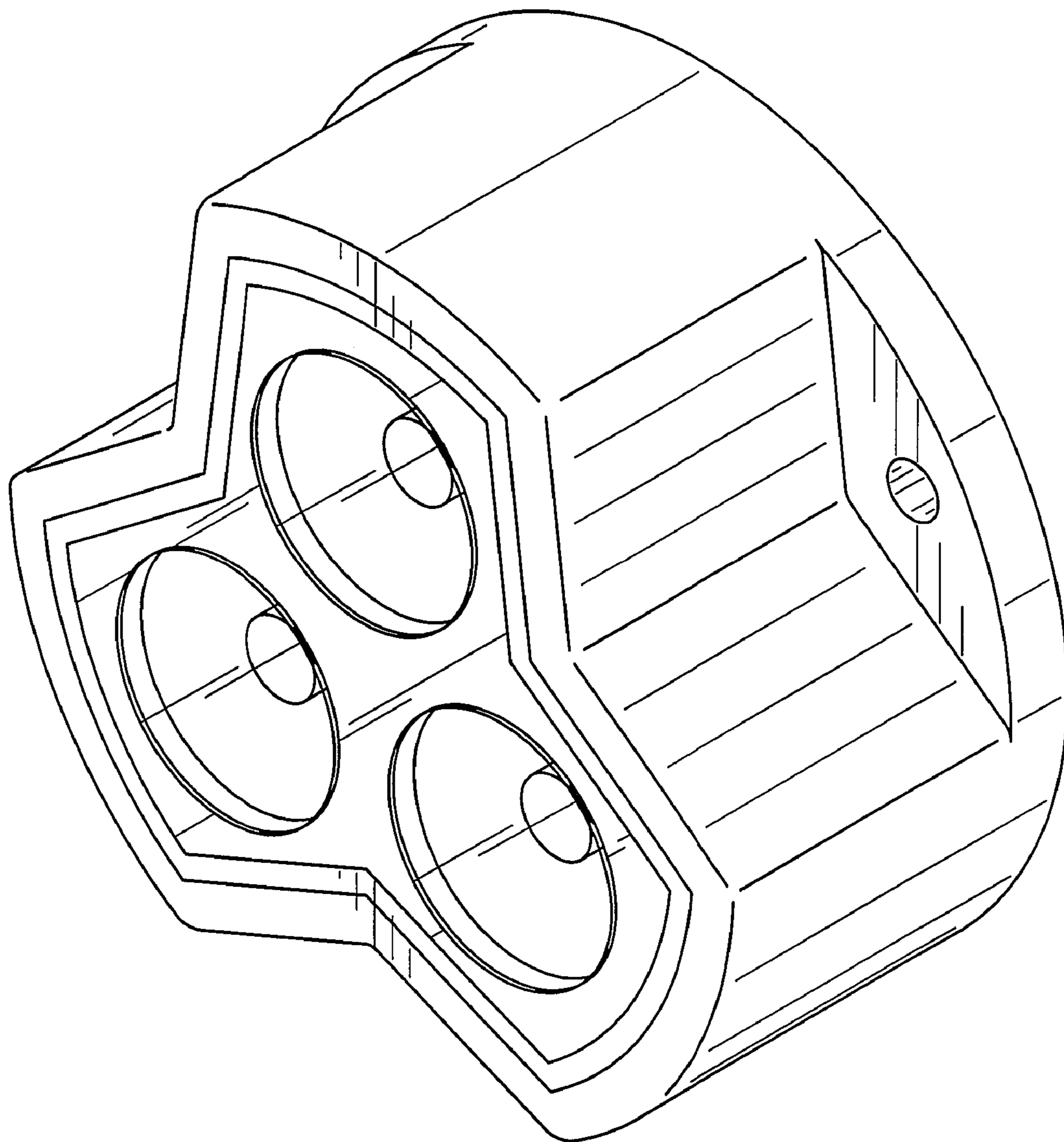


FIG. 1

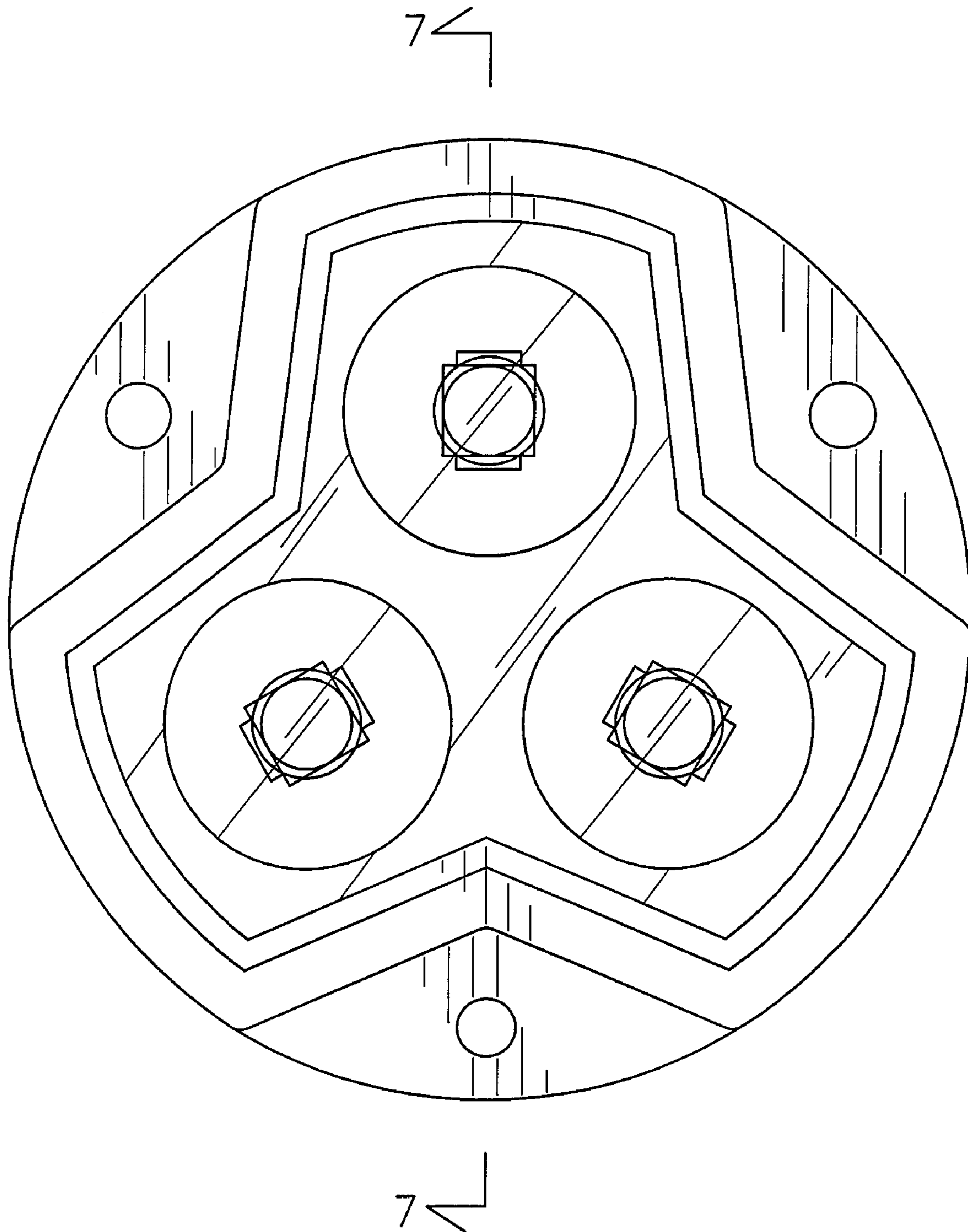


FIG. 2

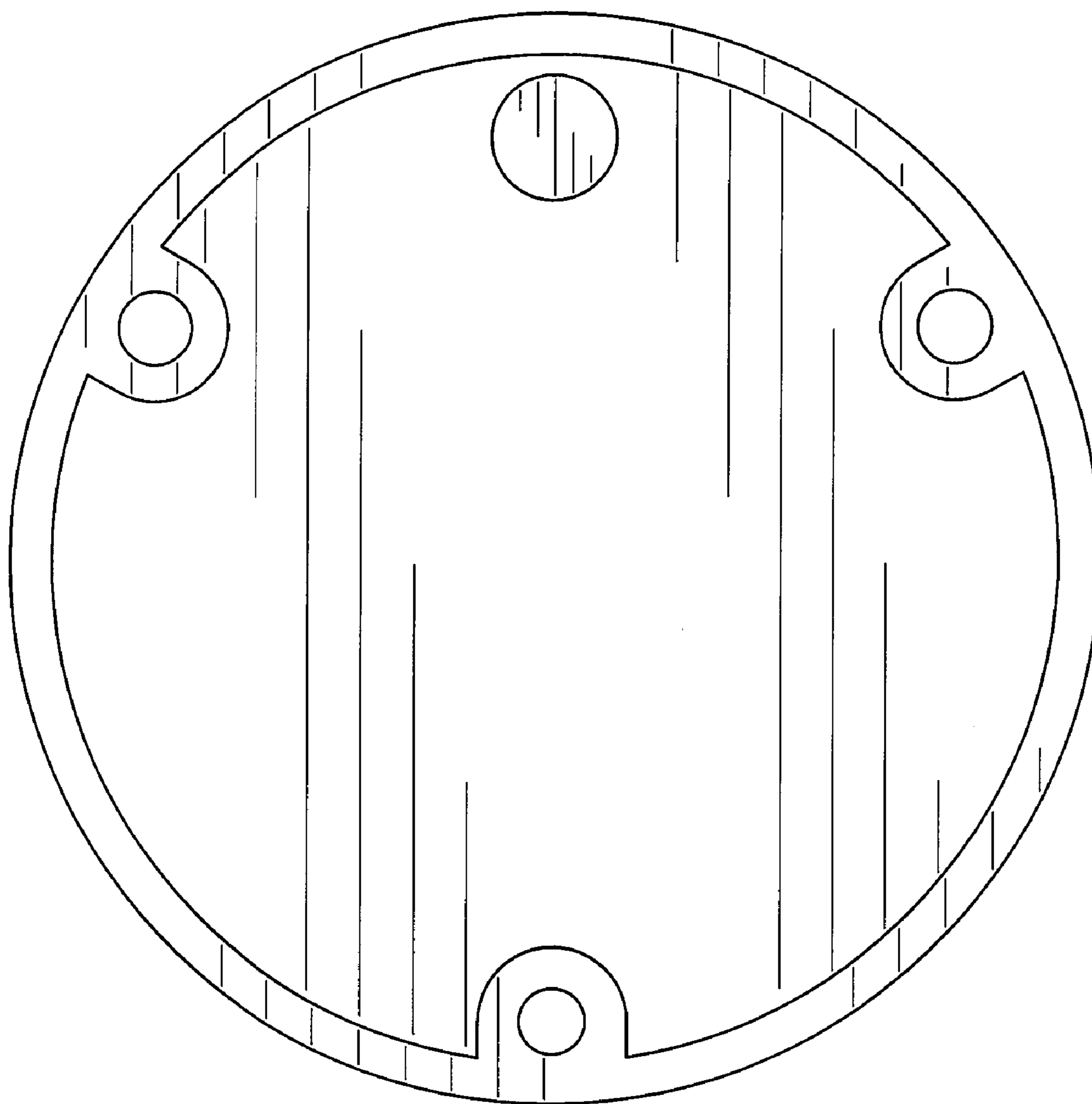


FIG. 3

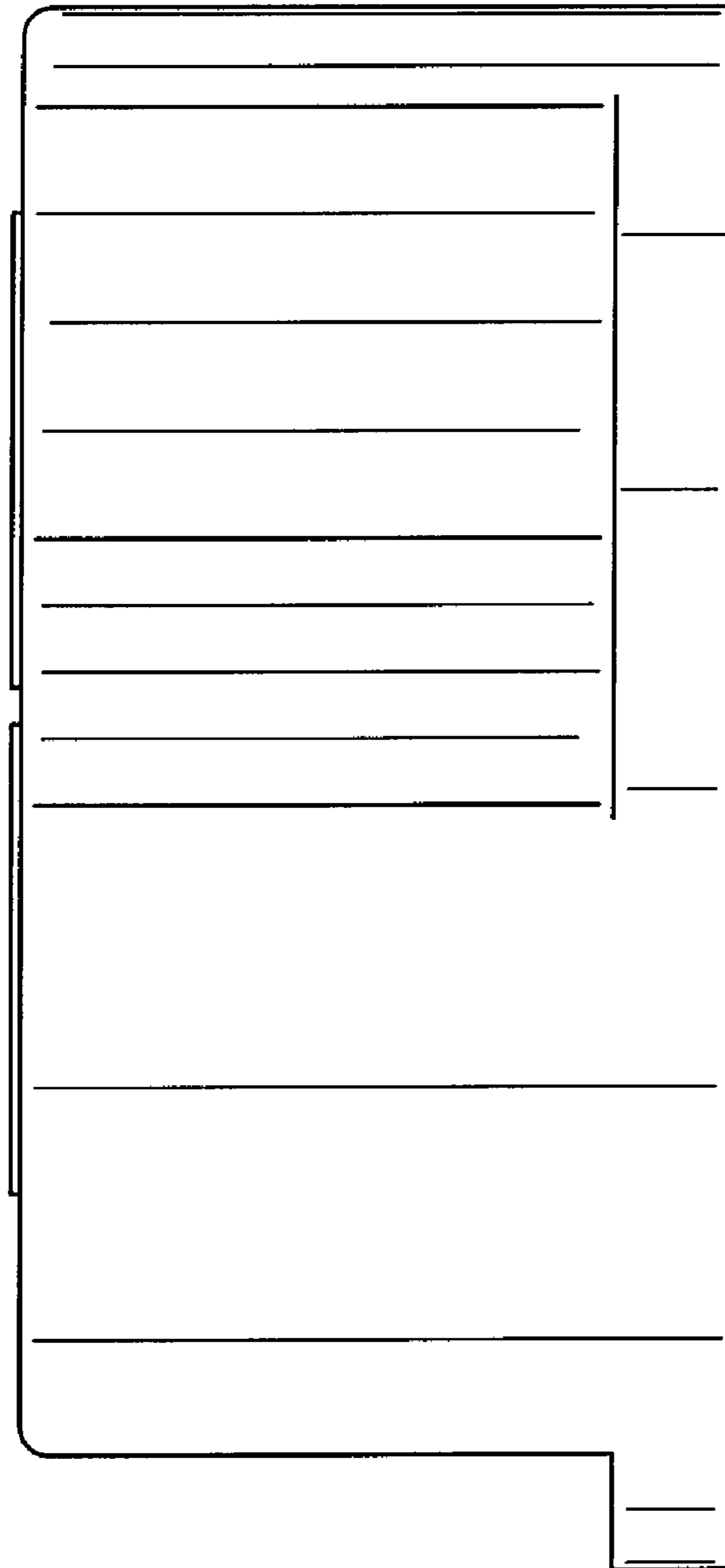


FIG. 4

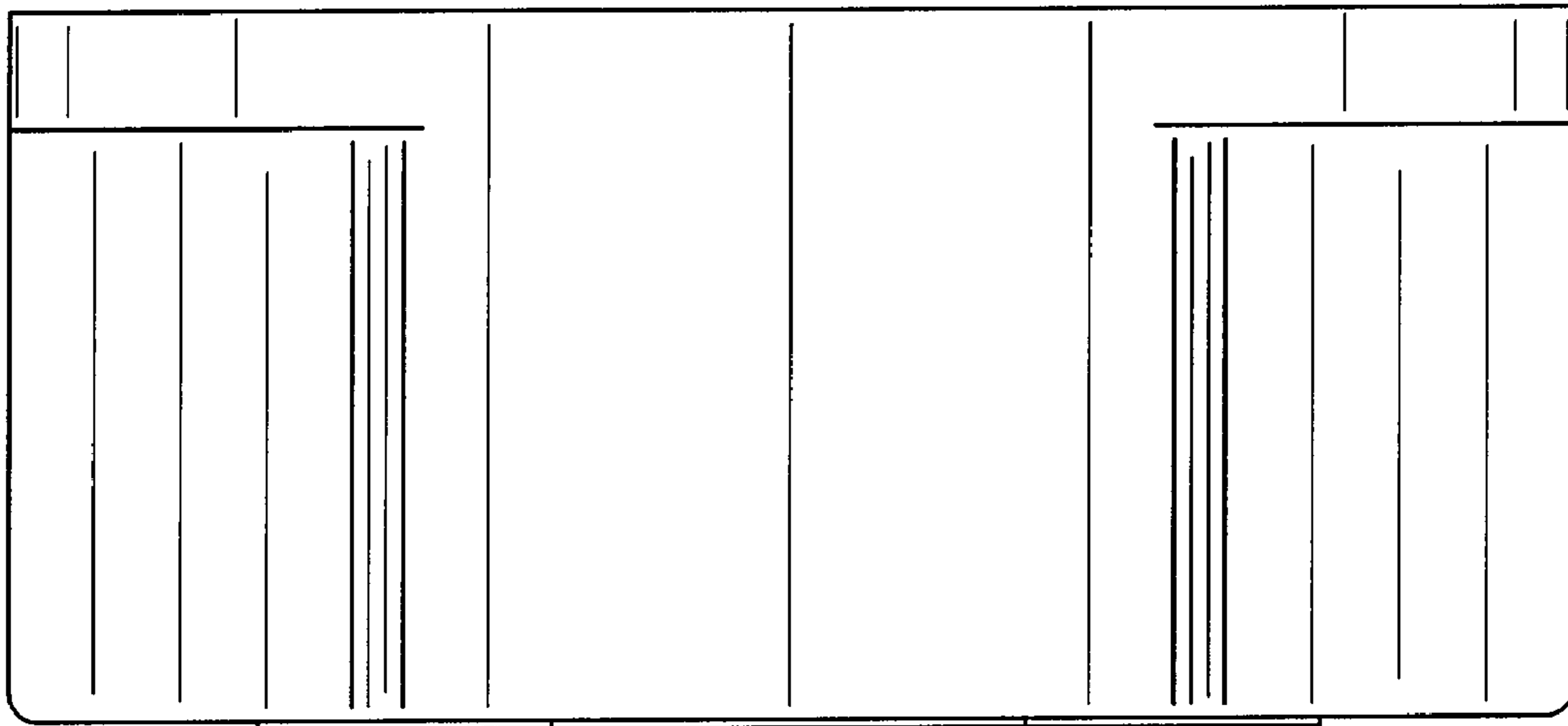


FIG. 5

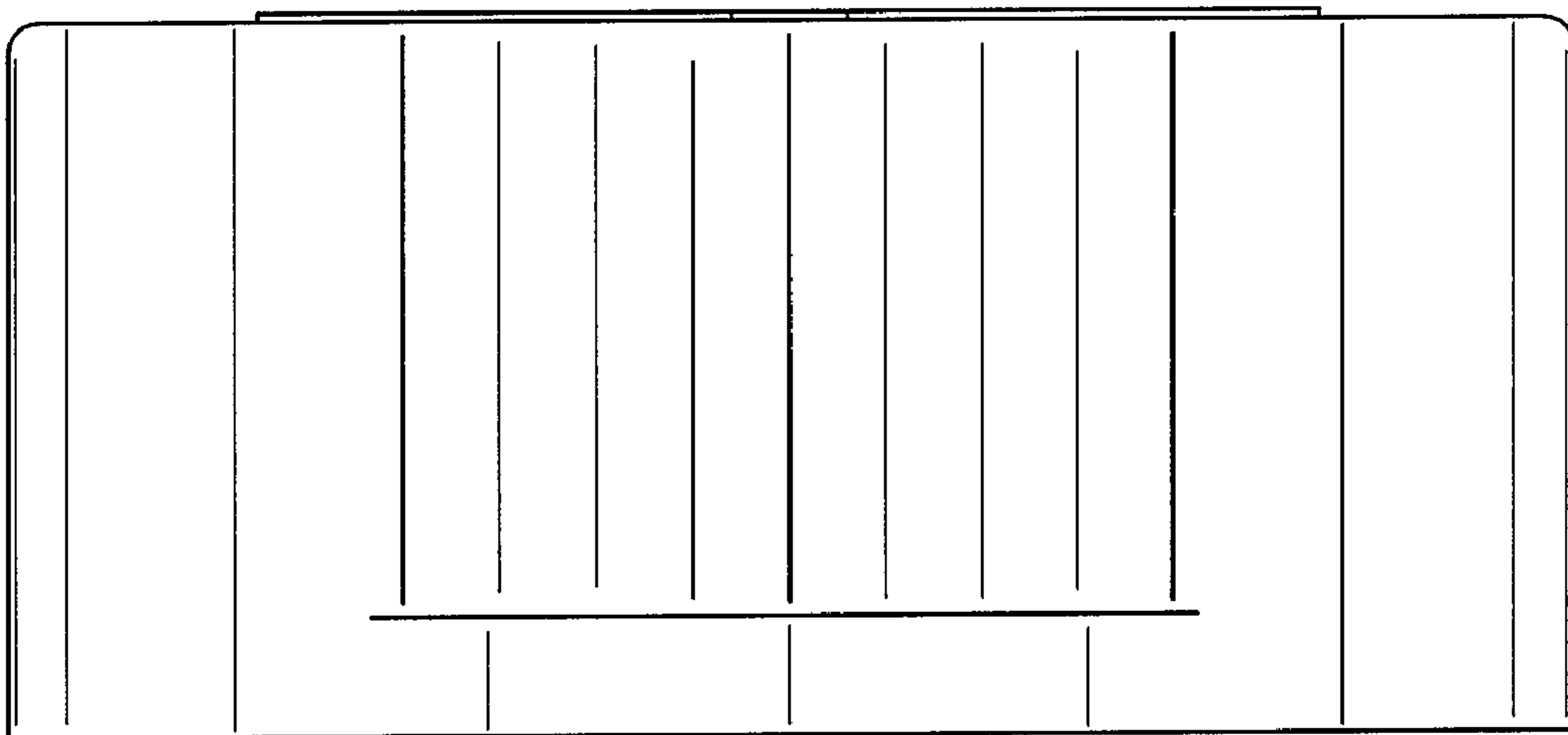


FIG. 6

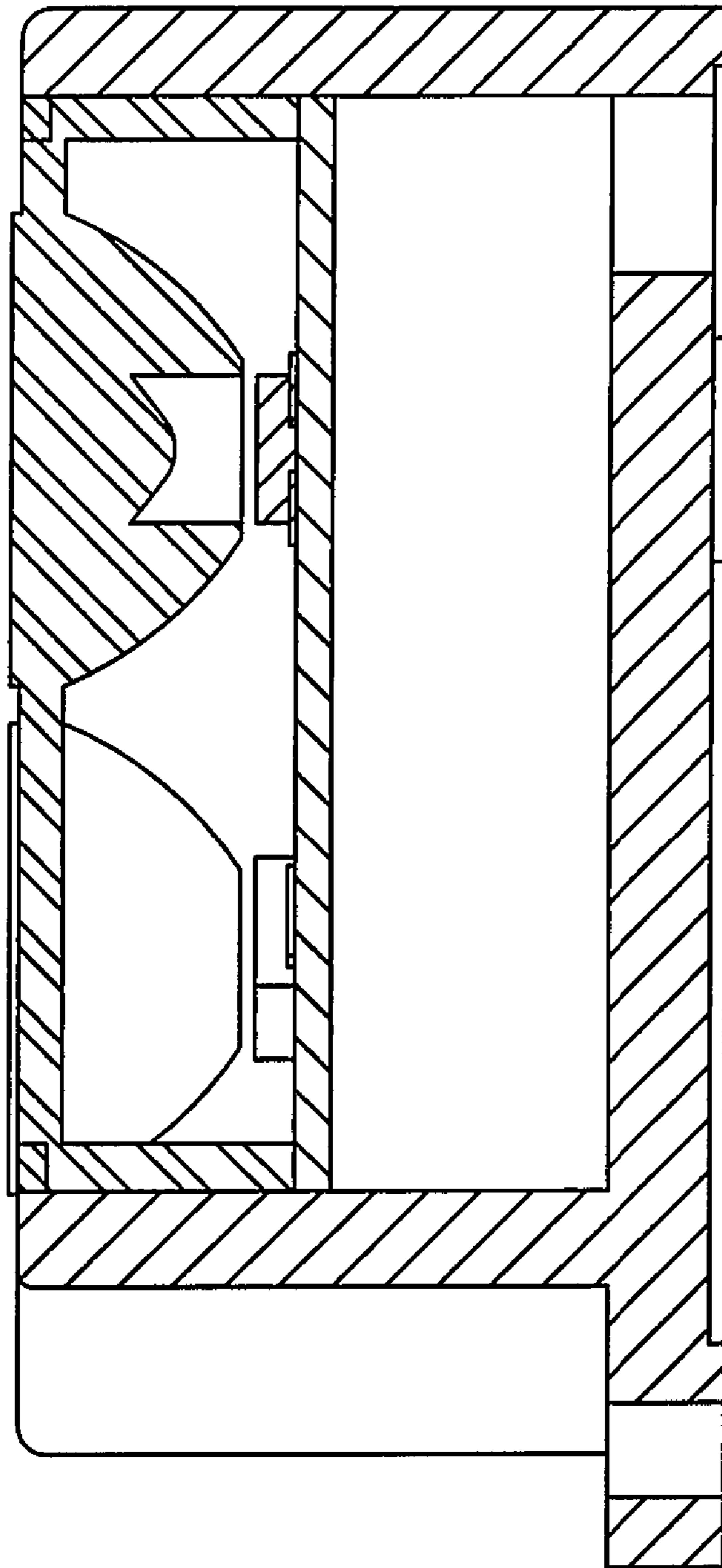


FIG. 7