



US00D578670S

(12) **United States Design Patent**
Li et al.

(10) **Patent No.:** **US D578,670 S**
(45) **Date of Patent:** **** Oct. 14, 2008**

(54) **SAFETY LIGHT**

(76) Inventors: **William Lian Li**, 10 Brookhaven, Irvine, CA (US) 92618; **Jack Li**, 10 Brookhaven, Irvine, CA (US) 92618

(**) Term: **14 Years**

(21) Appl. No.: **29/293,453**

(22) Filed: **Nov. 26, 2007**

(51) **LOC (8) Cl.** **26-04**

(52) **U.S. Cl.** **D26/1**

(58) **Field of Classification Search** D26/24,
D26/28, 120, 125, 139; 362/450, 465, 487,
362/507, 540-541

See application file for complete search history.

(56) **References Cited**

U.S. PATENT DOCUMENTS

D427,343 S *	6/2000	Reinbach	D26/28
D570,013 S *	5/2008	Huang	D26/28
D570,015 S *	5/2008	Hsu	D26/28

* cited by examiner

Primary Examiner—Ian Simmons
Assistant Examiner—Dana L Sipos

(57) **CLAIM**

I claim the ornamental design for a safety light, as shown and described.

DESCRIPTION

FIG. 1 is a perspective view of the safety light showing our new design;

FIG. 2 is a top plan view thereof;

FIG. 3 is a bottom view thereof;

FIG. 4 is a rear view thereof;

FIG. 5 is a front view thereof;

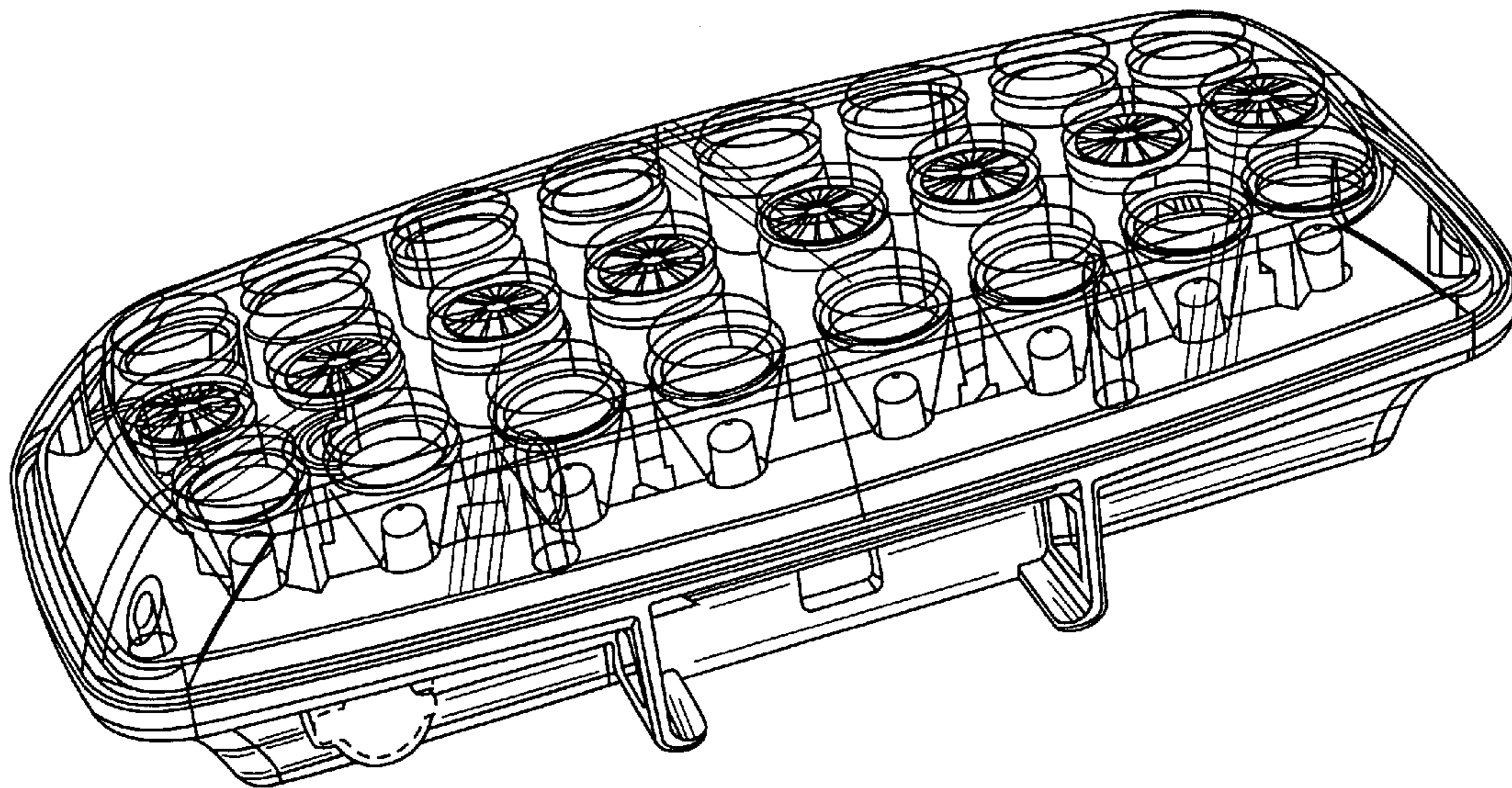
FIG. 6 is a right side view thereof;

FIG. 7 is a left side view thereof; and,

FIG. 8 is a cross sectional view of the safety light of FIG. 5 taken along the line 8—8, shown at an enlarged scale.

The broken line portions of the disclosure are for illustrative purposes only and form no part of the claimed design.

1 Claim, 6 Drawing Sheets



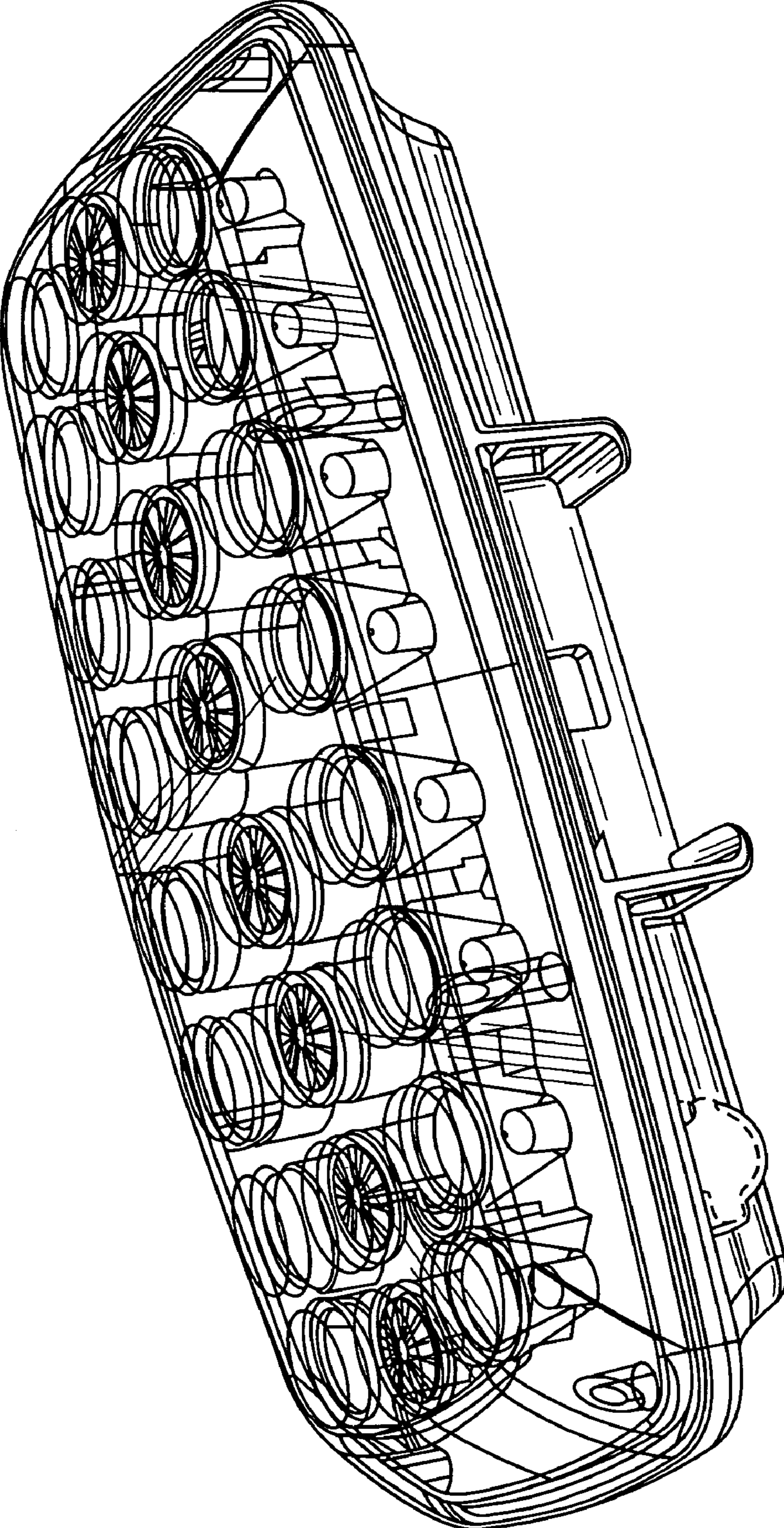


FIG. 1

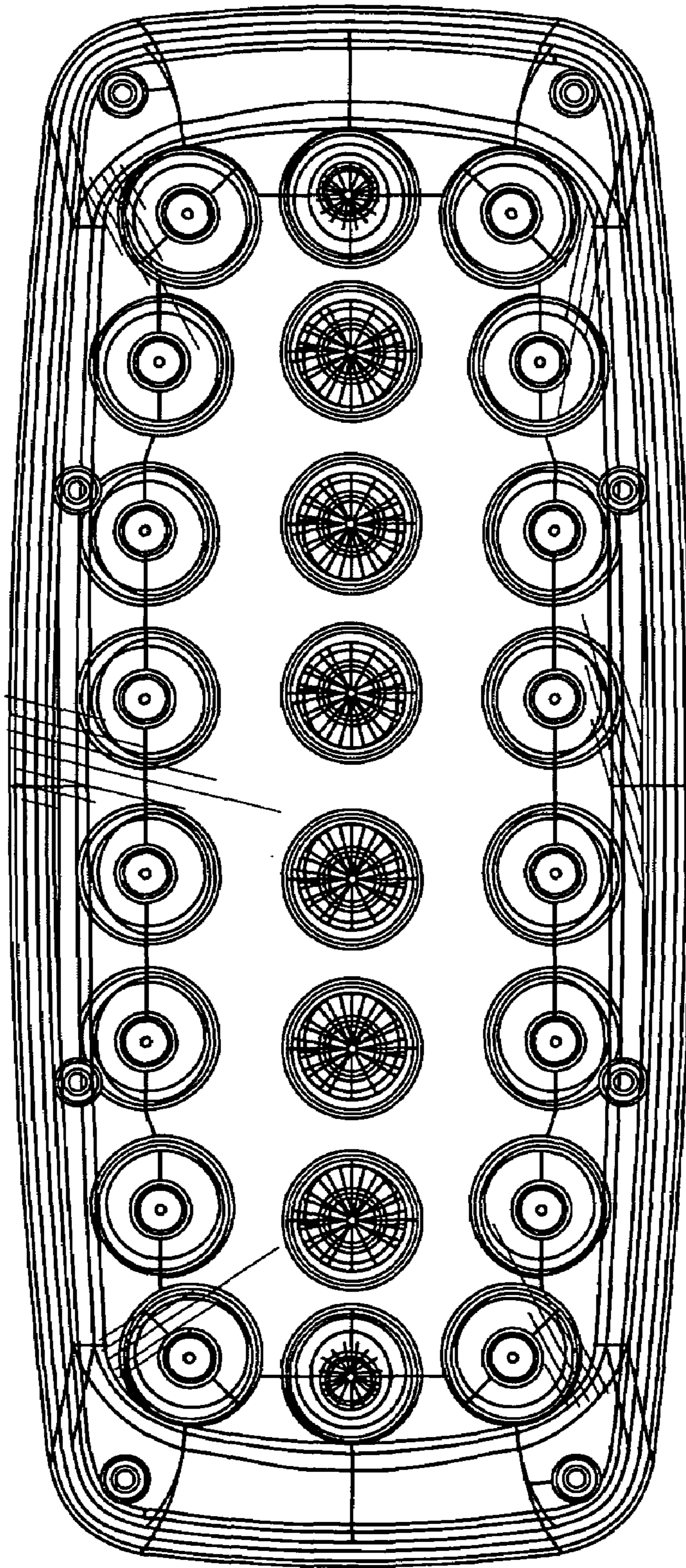


FIG. 2

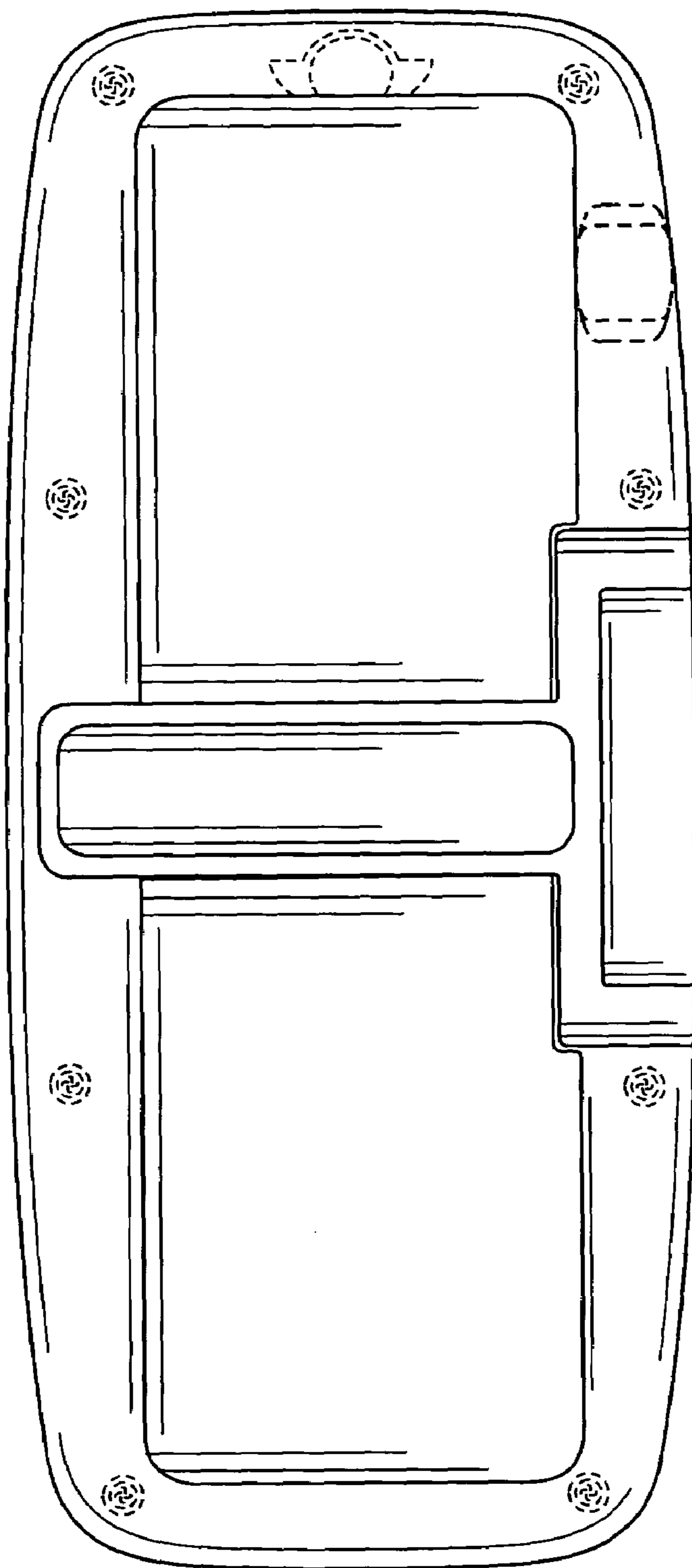


FIG. 3

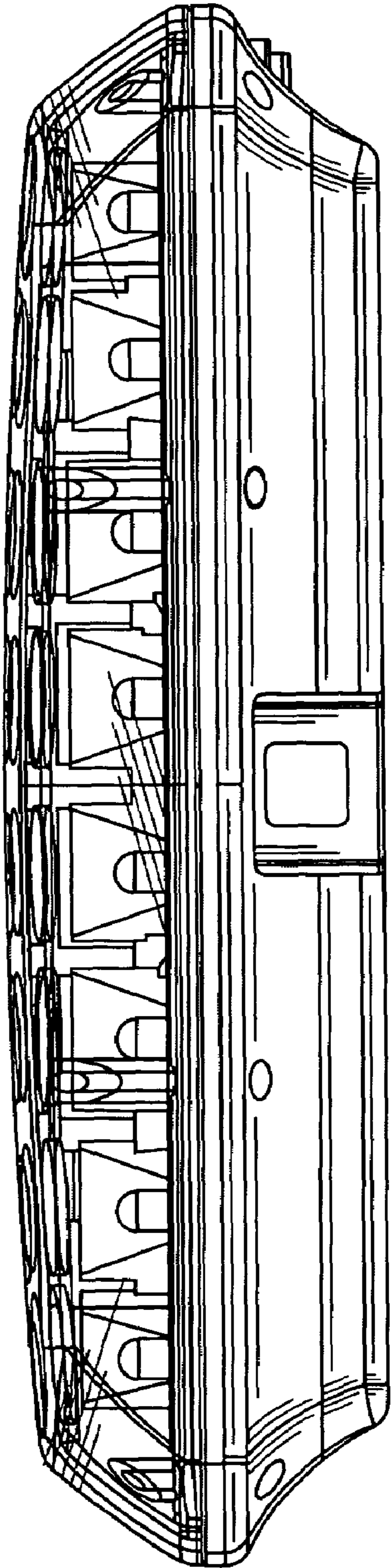


FIG. 4

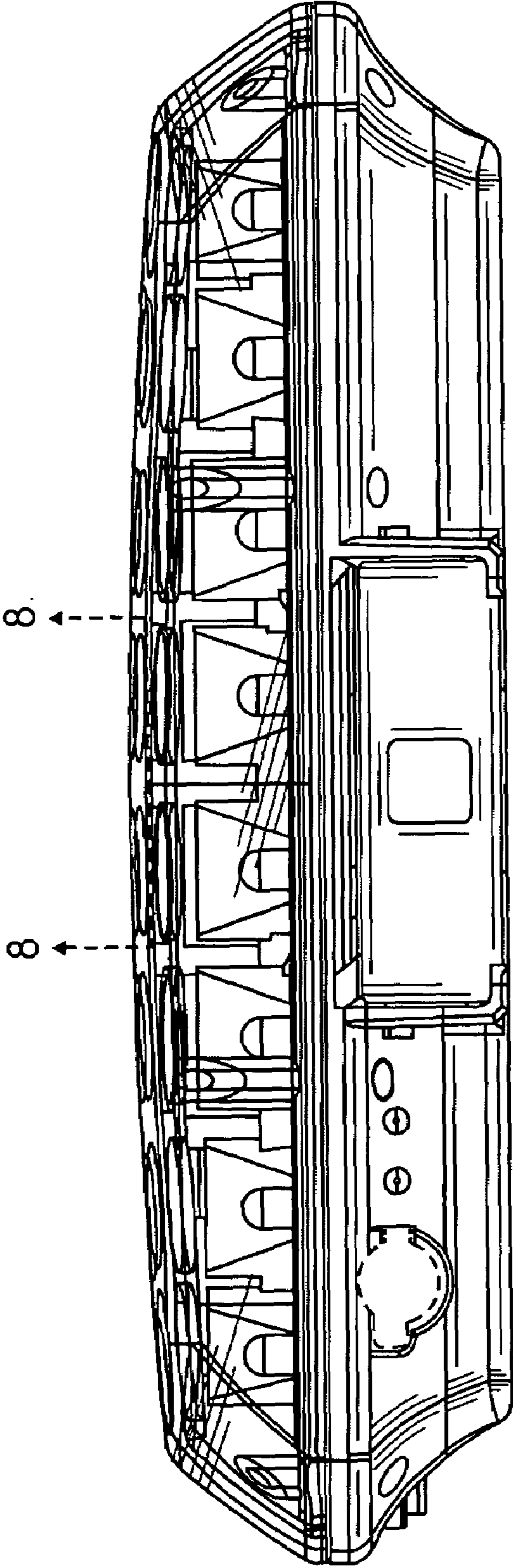


FIG. 5

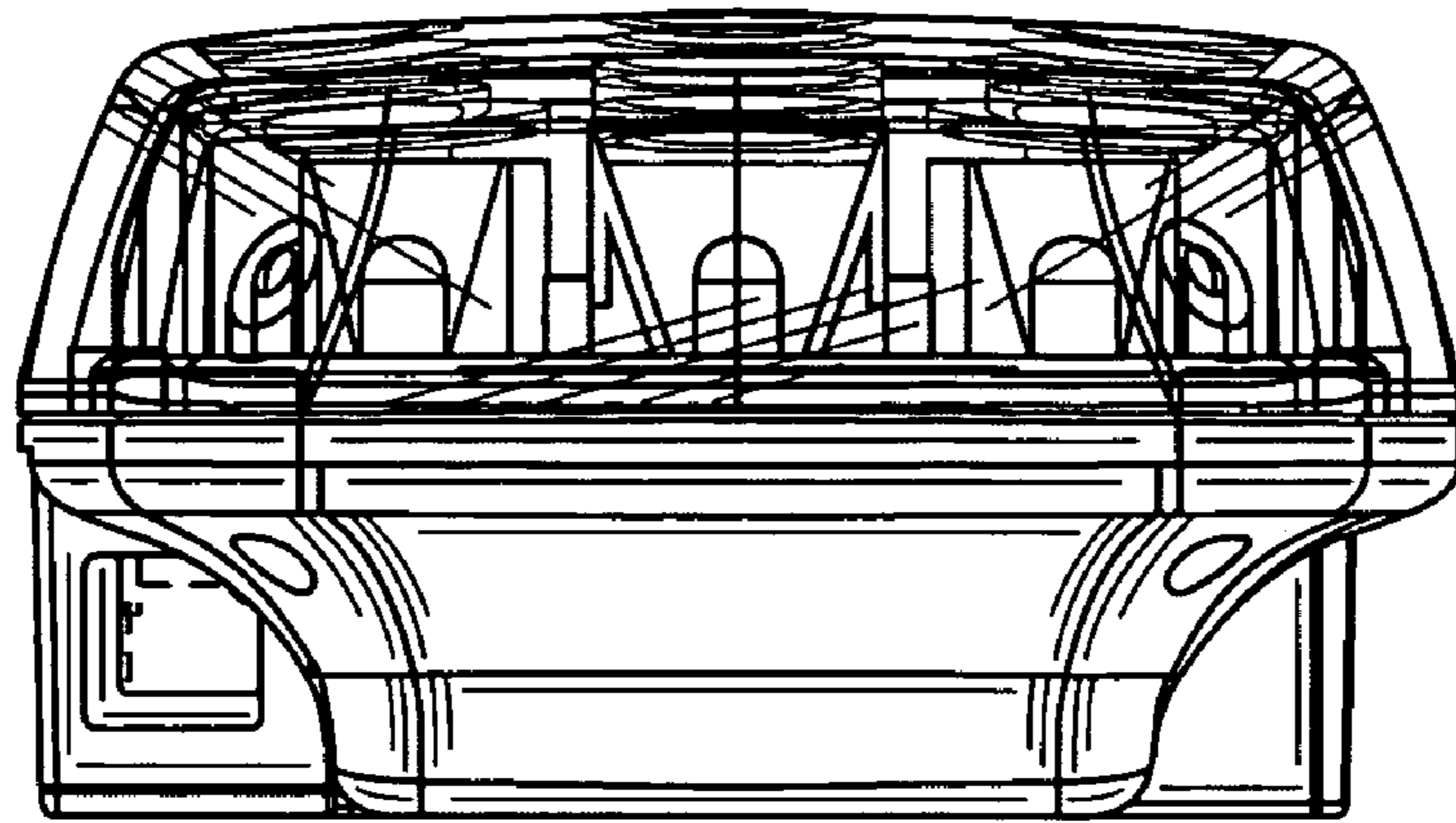


FIG. 6

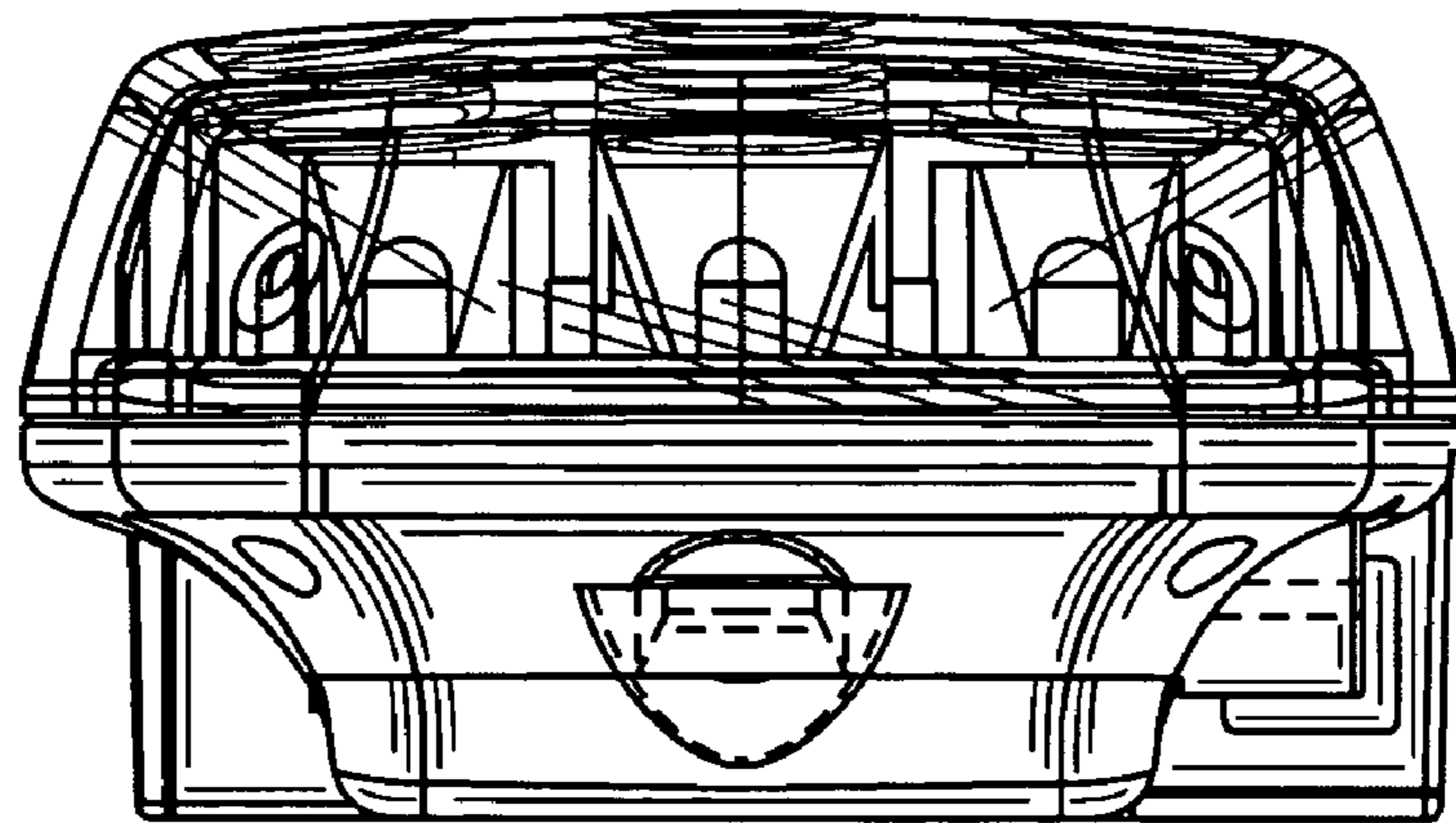


FIG. 7



FIG. 8