

US00D578666S

(12) **United States Design Patent**  
**Franson**

(10) **Patent No.:** **US D578,666 S**

(45) **Date of Patent:** **\*\* Oct. 14, 2008**

(54) **WINDOW COMPONENT EXTRUSION**

(75) Inventor: **Jeffrey R. Franson**, Maple Valley, WA (US)

(73) Assignee: **Mikron Industries, Inc**, Kent, WA (US)

(\*\*) Term: **14 Years**

(21) Appl. No.: **29/294,160**

(22) Filed: **Dec. 21, 2007**

(51) **LOC (8) Cl.** ..... **25-01**

(52) **U.S. Cl.** ..... **D25/124**

(58) **Field of Classification Search** ..... D25/119,  
D25/124, 125; 52/204.1, 204.2, 204.5, 204.51,  
52/656.5, 656.6, 213, 215, 208, 206, 212,  
52/717.01, 209, 204.72; 49/DIG. 2, 504,  
49/501, 449, 180, 183; 160/91

See application file for complete search history.

(56) **References Cited**

U.S. PATENT DOCUMENTS

4,106,239 A \* 8/1978 Bancroft et al. .... 49/449

4,126,964 A *	11/1978	Anderson	.....	49/183
D334,817 S *	4/1993	Cole	.....	D25/124
D402,050 S *	12/1998	Leonelli	.....	D25/124
6,357,186 B1 *	3/2002	Gould	.....	52/209
D457,255 S *	5/2002	Cole	.....	D25/124
D471,648 S *	3/2003	Chaney et al.	.....	D25/124
D473,325 S *	4/2003	Schrader	.....	D25/124
2004/0000093 A1 *	1/2004	Guelck	.....	49/183
2005/0028459 A1 *	2/2005	Crandell et al.	.....	52/204.5

\* cited by examiner

*Primary Examiner*—Doris Clark

(74) *Attorney, Agent, or Firm*—David C. Gadd

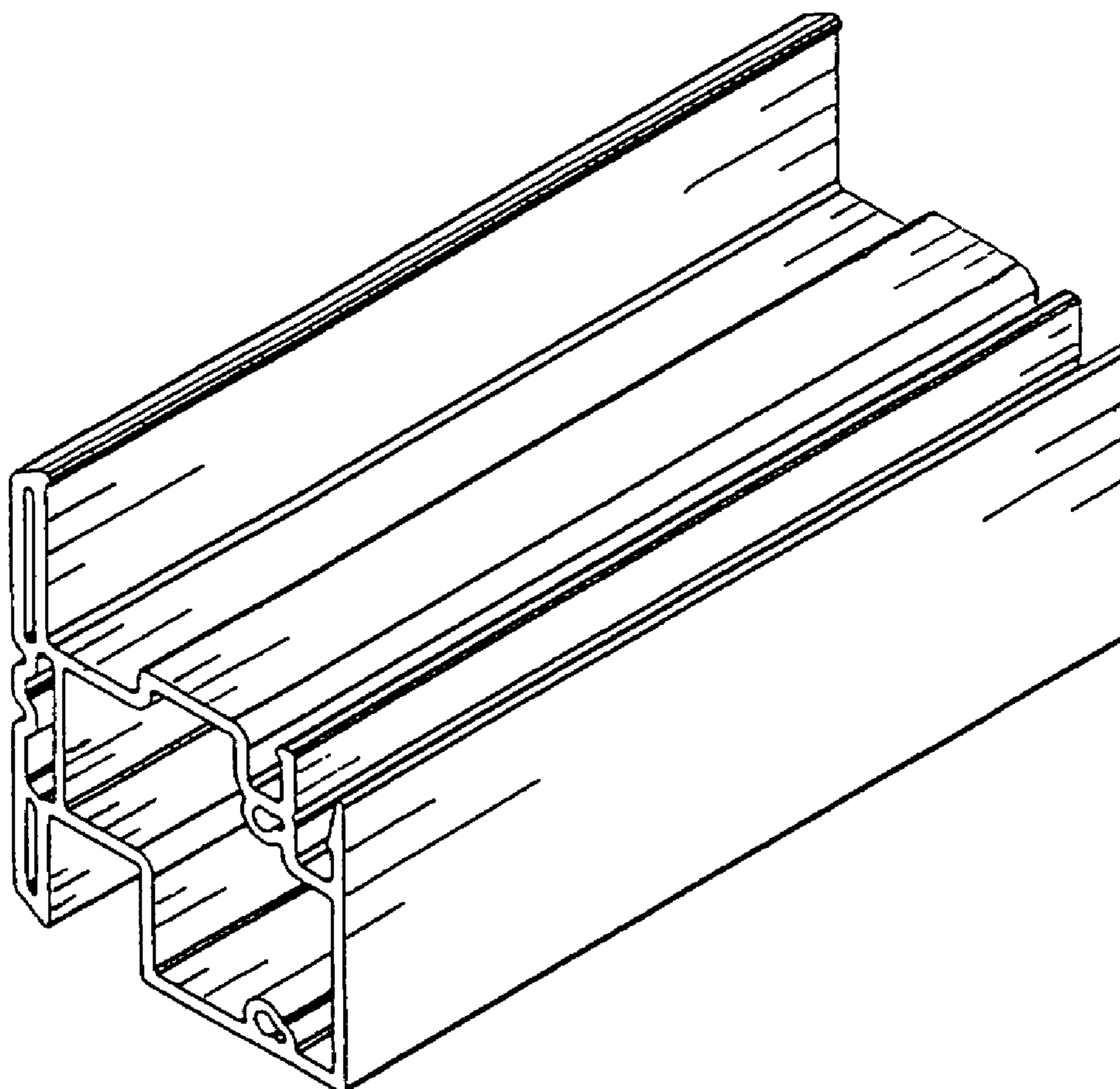
(57) **CLAIM**

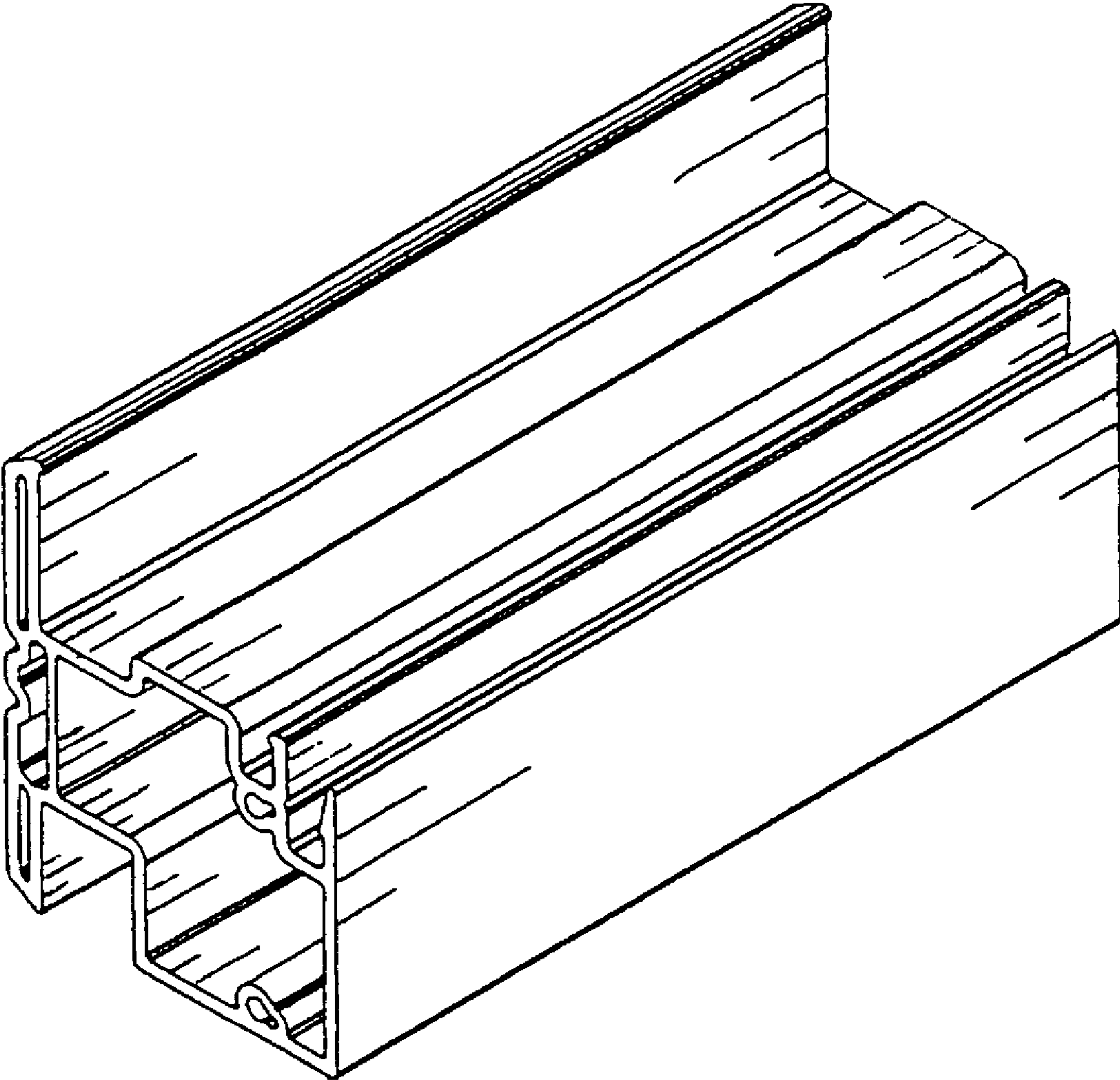
The ornamental design for a window component extrusion, as shown and described.

**DESCRIPTION**

The FIGURE is a front elevation view of a window component extrusion showing my new design.

**1 Claim, 1 Drawing Sheet**





The Figure