



US00D578663S

(12) **United States Design Patent**
Franson

(10) **Patent No.:** **US D578,663 S**
(45) **Date of Patent:** **** Oct. 14, 2008**

(54) **WINDOW COMPONENT EXTRUSION**

(75) Inventor: **Jeffrey R. Franson**, Maple Valley, WA
(US)

(73) Assignee: **Mikron Industries, Inc.**, Kent, WA (US)

(**) Term: **14 Years**

(21) Appl. No.: **29/293,825**

(22) Filed: **Dec. 12, 2007**

(51) **LOC (8) Cl.** **25-01**

(52) **U.S. Cl.** **D25/124**

(58) **Field of Classification Search** D25/119,
D25/124.125; 52/204.1, 204.2, 204.5, 204.51,
52/656.5, 656.6, 213, 215, 208, 206, 212,
52/717.01, 209, 204.72; 49/DIG. 2, 504,
49/501, 449, 180, 183; 160/91

See application file for complete search history.

(56) **References Cited**

U.S. PATENT DOCUMENTS

4,106,239 A * 8/1978 Bancroft et al. 49/449

4,126,964 A * 11/1978 Anderson 49/183
D402,050 S * 12/1998 Leonelli D25/124
6,357,186 B1 * 3/2002 Gould 52/209
D457,255 S * 5/2002 Cole D25/124
2004/0000093 A1 * 1/2004 Guelck 49/183
2005/0028459 A1 * 2/2005 Crandell et al. 52/204.5

* cited by examiner

Primary Examiner—Doris Clark

(74) *Attorney, Agent, or Firm*—David C. Gadd

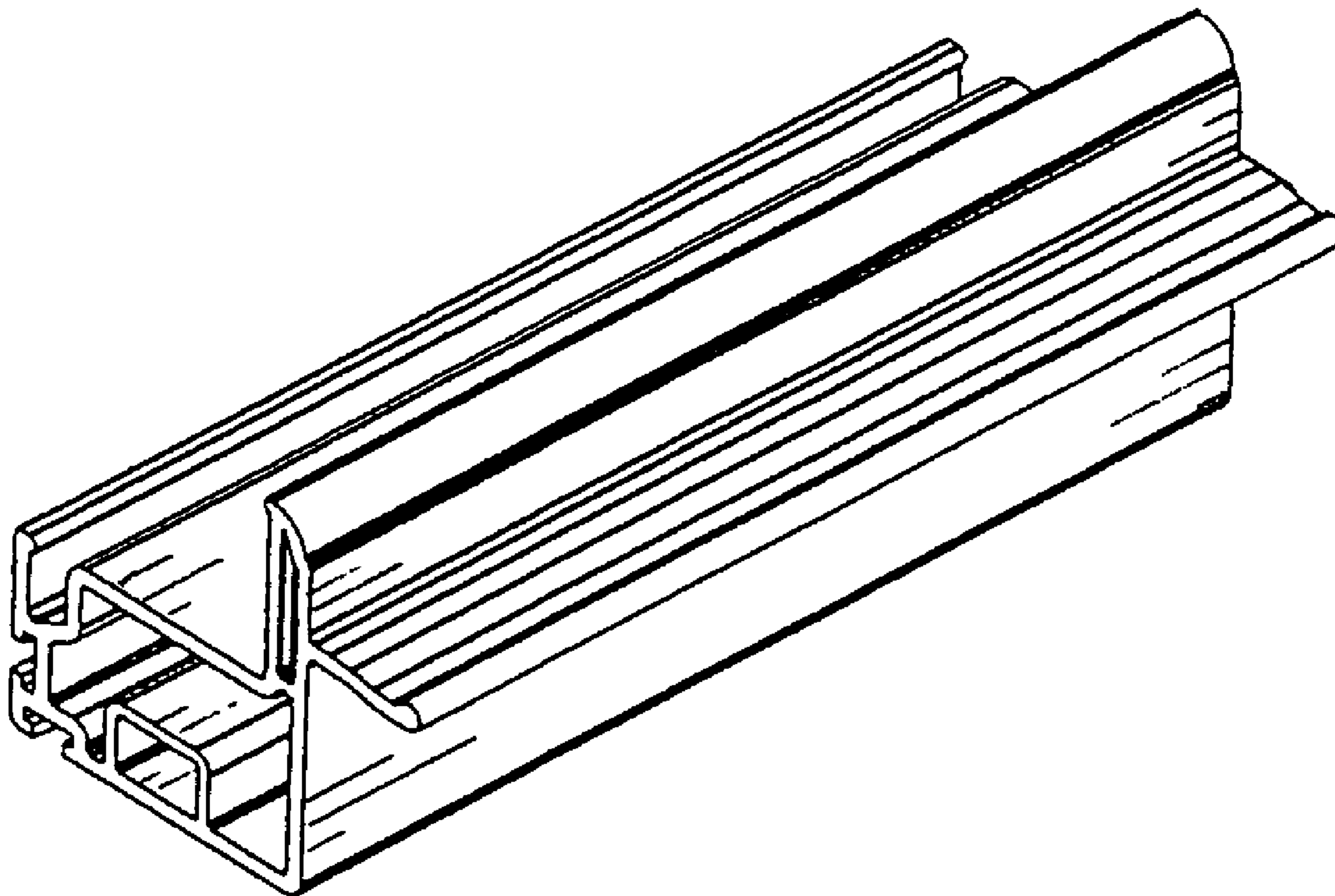
(57) **CLAIM**

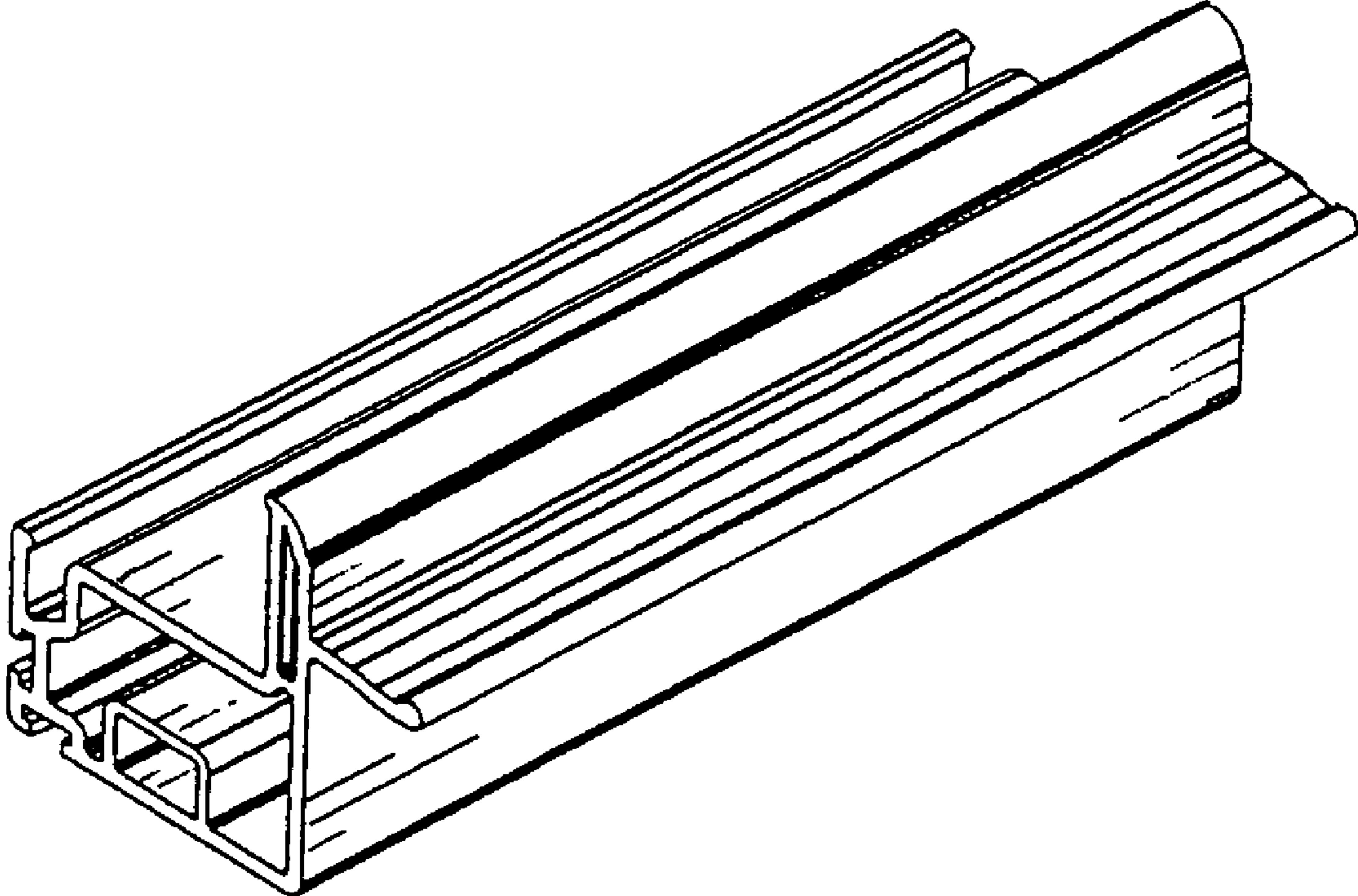
The ornamental design for a window component extrusion, as shown and described.

DESCRIPTION

The FIGURE is a front elevation view of a window component extrusion showing my new design.

1 Claim, 1 Drawing Sheet





The Figure