



US00D578662S

(12) **United States Design Patent**
Wickland

(10) **Patent No.:** **US D578,662 S**

(45) **Date of Patent:** **** Oct. 14, 2008**

(54) **WINDOW COMPONENT EXTRUSION**

(75) Inventor: **Timothy Todd Wickland**, Auburn, WA
(US)

(73) Assignee: **Mikron Industries, Inc.**, Kent, WA (US)

(**) Term: **14 Years**

(21) Appl. No.: **29/291,406**

(22) Filed: **Aug. 28, 2007**

(51) **LOC (8) Cl.** **25-01**

(52) **U.S. Cl.** **D25/124**

(58) **Field of Classification Search** D25/121,
D25/122, 124, 125; 52/204.59, 204.1, 204.2,
52/204.5, 204.51, 656.5, 565.6, 213, 215,
52/208, 293.3, 204.97, 204.595, 204.71,
52/730.3, 656.2; 49/209, 501, 504, DIG. 2
See application file for complete search history.

(56) **References Cited**

U.S. PATENT DOCUMENTS

5,687,518 A * 11/1997 Endo et al. 52/204.1
5,687,519 A * 11/1997 Bruchu 52/213
6,055,782 A * 5/2000 Morton et al. 52/204.1

D436,673 S * 1/2001 Hauberg et al. D25/124
6,182,405 B1 * 2/2001 Lindahl 52/204.1
D443,702 S * 6/2001 Ballard et al. D25/124

* cited by examiner

Primary Examiner—Doris Clark

(74) *Attorney, Agent, or Firm*—David C. Gadd

(57) **CLAIM**

The ornamental design for a window component extrusion, as shown and described.

DESCRIPTION

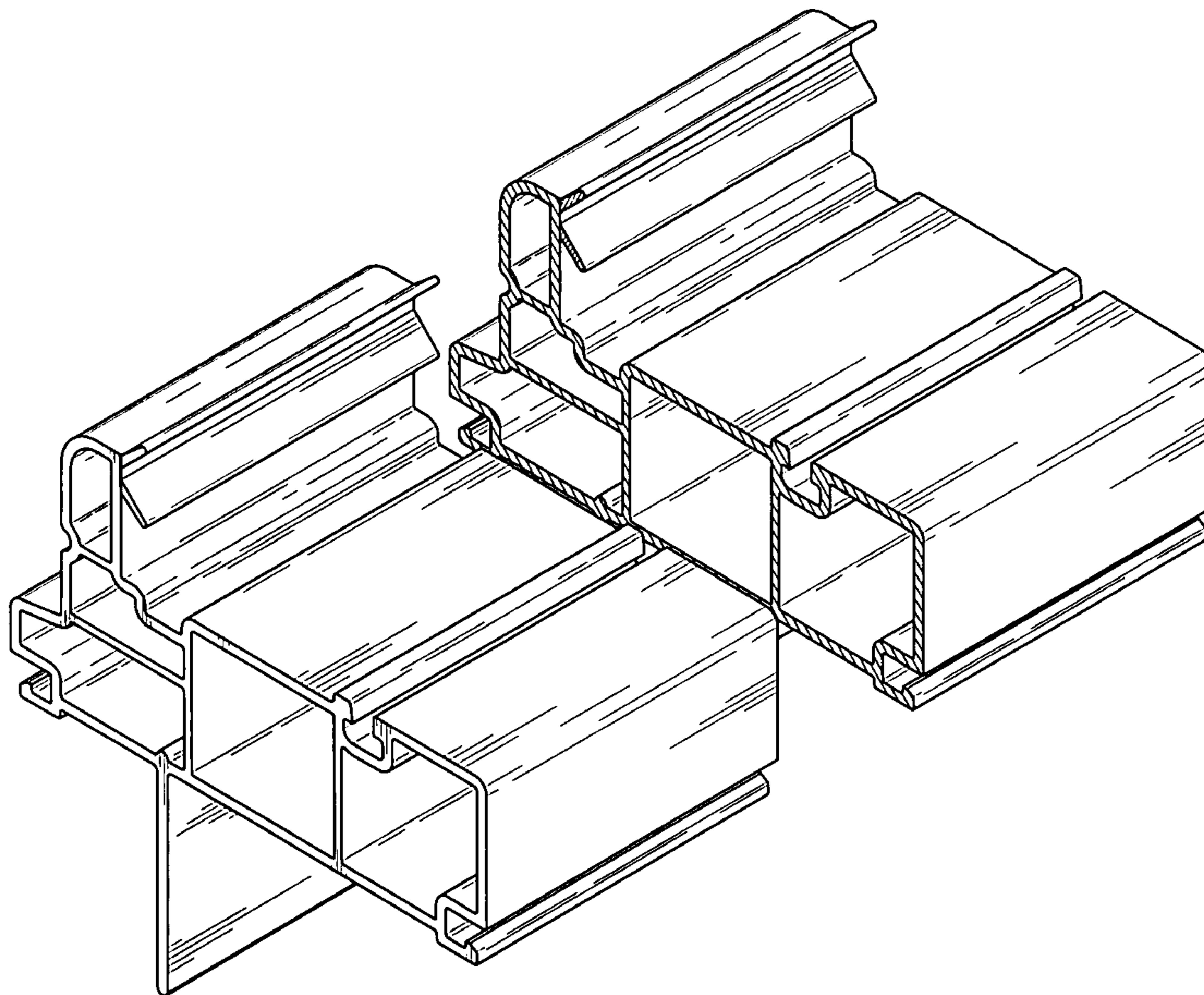
FIG. 1 is a top right perspective view of a first embodiment of the window component extrusion which is broken in the center indicating indefinite length,

FIG. 2 is a bottom left perspective view of the window component extrusion shown in FIG. 1,

FIG. 3 is a top right perspective view of a second embodiment of the window component extrusion which is broken in the center indicating indefinite length; and,

FIG. 4 is a bottom left perspective view of the window component extrusion shown in FIG. 3.

1 Claim, 2 Drawing Sheets



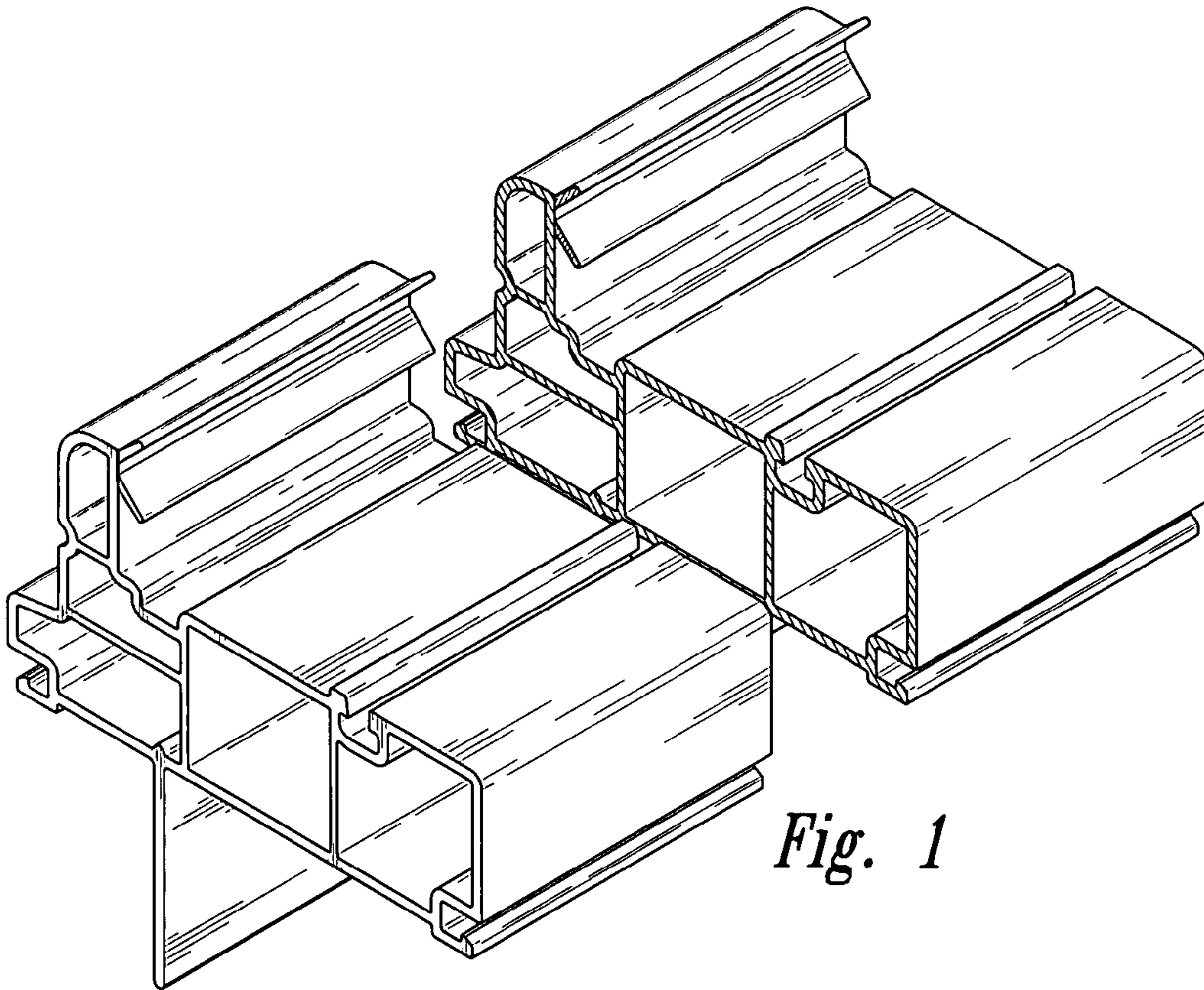


Fig. 1

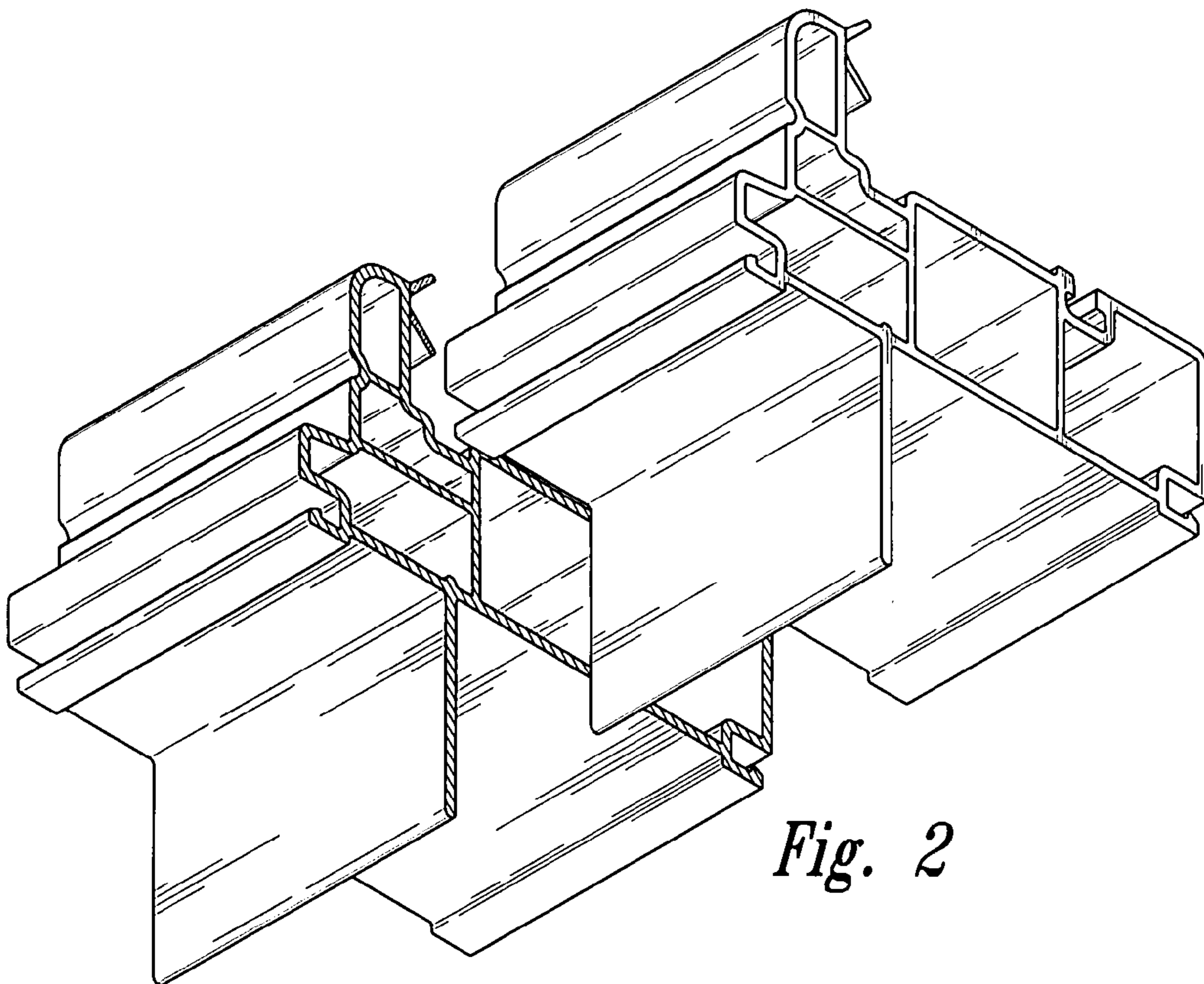


Fig. 2

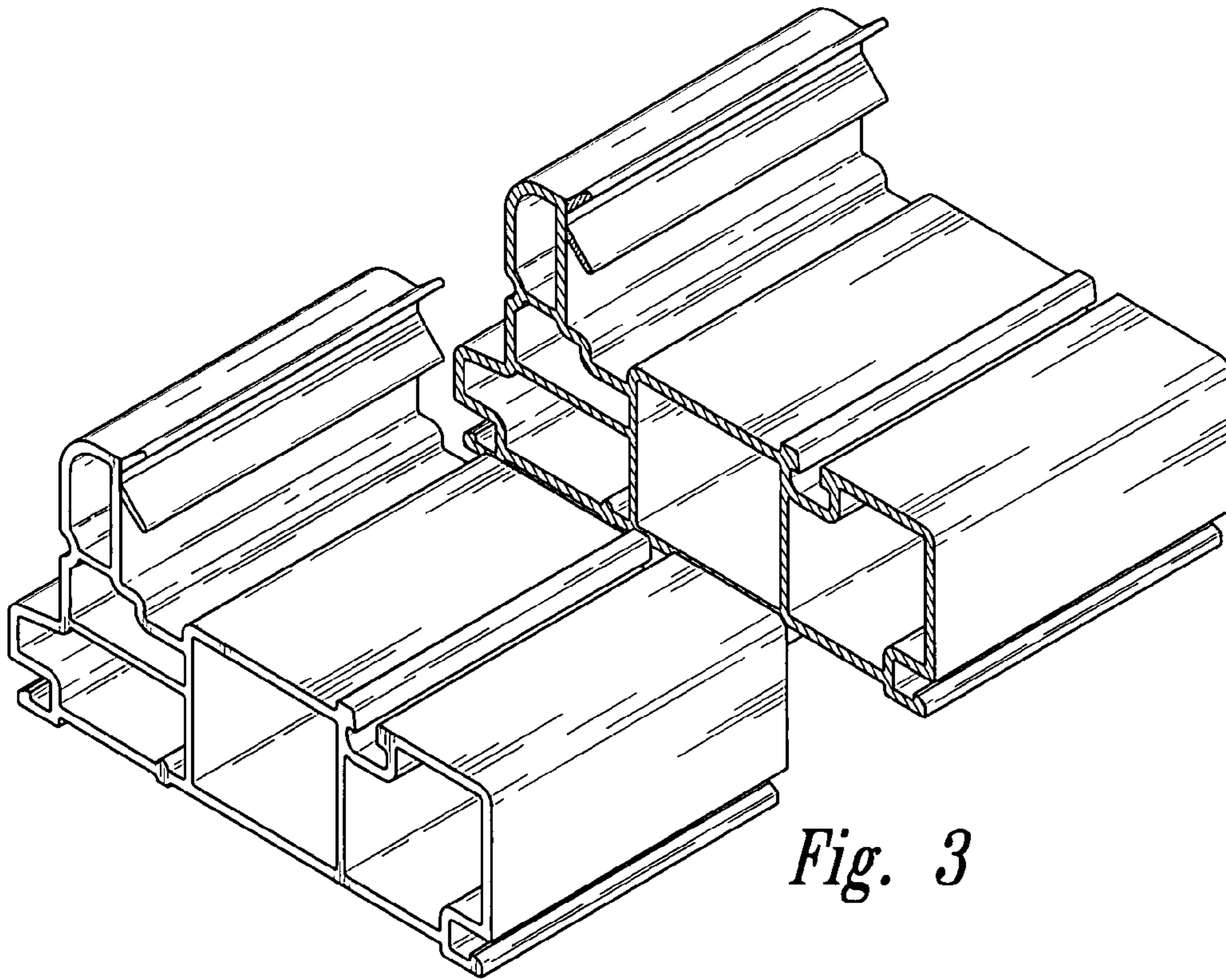


Fig. 3

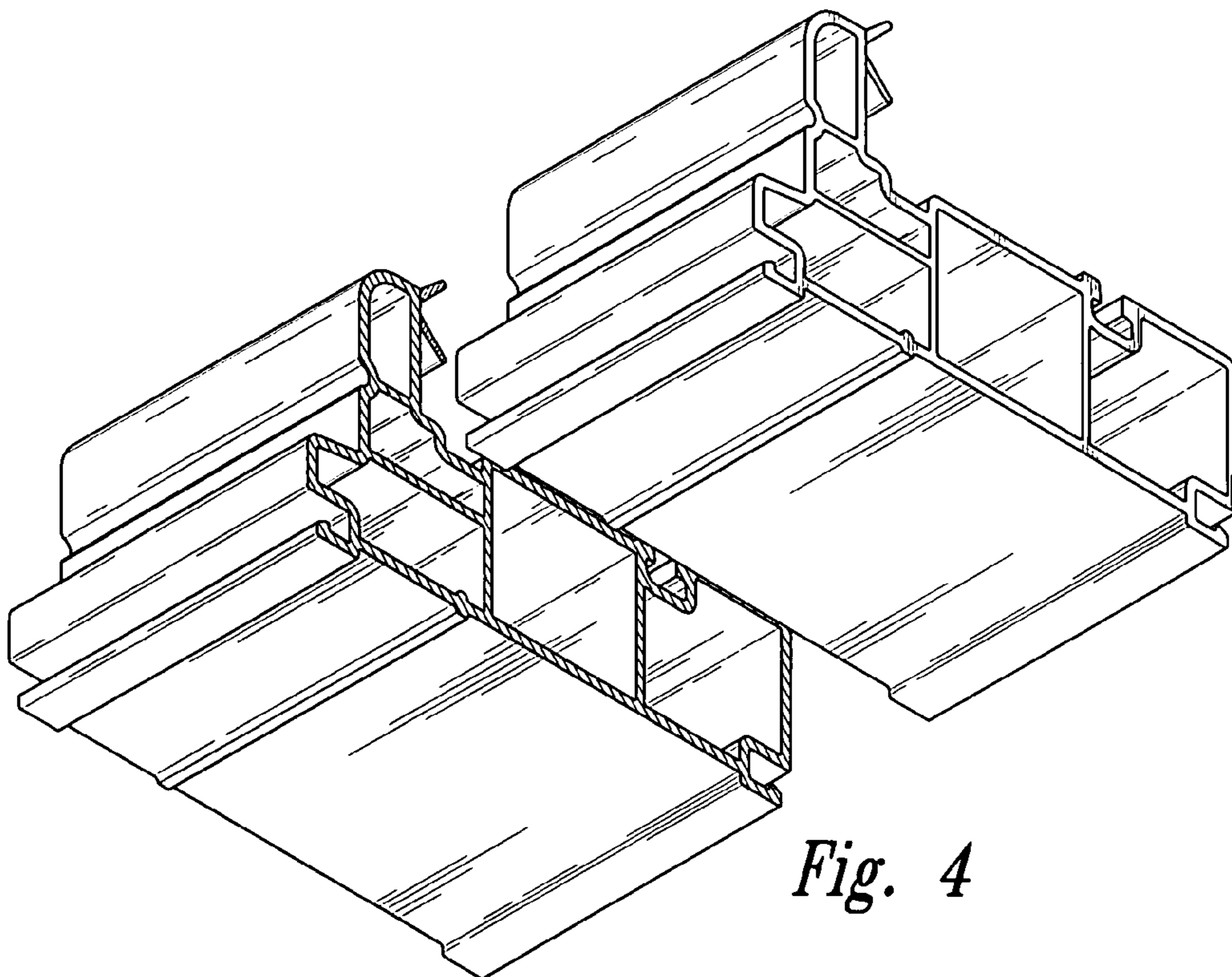


Fig. 4