



US00D578655S

(12) **United States Design Patent**
Suzuki et al.

(10) **Patent No.:** **US D578,655 S**

(45) **Date of Patent:** **** Oct. 14, 2008**

(54) **SAMPLE HOLDER**

D468,022 S * 12/2002 Henderson et al. D24/216
D501,561 S * 2/2005 Smith D24/227

(75) Inventors: **Hiroyuki Suzuki**, Hitachinaka (JP);
Masahiro Sasajima, Hitachinaka (JP)

FOREIGN PATENT DOCUMENTS

(73) Assignee: **Hitachi High-Technologies Corporation**, Tokyo (JP)

JP 07-128598 5/1995
JP 2000-234988 9/2000

(**) Term: **14 Years**

* cited by examiner

(21) Appl. No.: **29/304,373**

Primary Examiner—Louis S Zarfaz

Assistant Examiner—Anhdao Doan

(22) Filed: **Feb. 29, 2008**

(74) *Attorney, Agent, or Firm*—Antonelli, Terry, Stout & Kraus, LLP.

(30) **Foreign Application Priority Data**

(57) **CLAIM**

Aug. 30, 2007 (JP) 2007 023568

We claim the ornamental design for a sample holder, as shown.

(51) **LOC (8) Cl.** **24-01**

(52) **U.S. Cl.** **D24/224**

(58) **Field of Classification Search** D24/216-230;
422/64, 102, 56, 58, 61, 63, 99, 104; D10/81,
D10/103; 356/246; D16/130, 131, 136;
359/391

DESCRIPTION

See application file for complete search history.

FIG. 1 is a front, bottom and right side perspective view of a sampler holder showing our new design;

FIG. 2 is a front elevational view thereof;

FIG. 3 is a rear elevational view thereof;

FIG. 4 is a top plan view thereof;

FIG. 5 is a bottom plan view thereof;

FIG. 6 is a left side elevational view thereof; and,

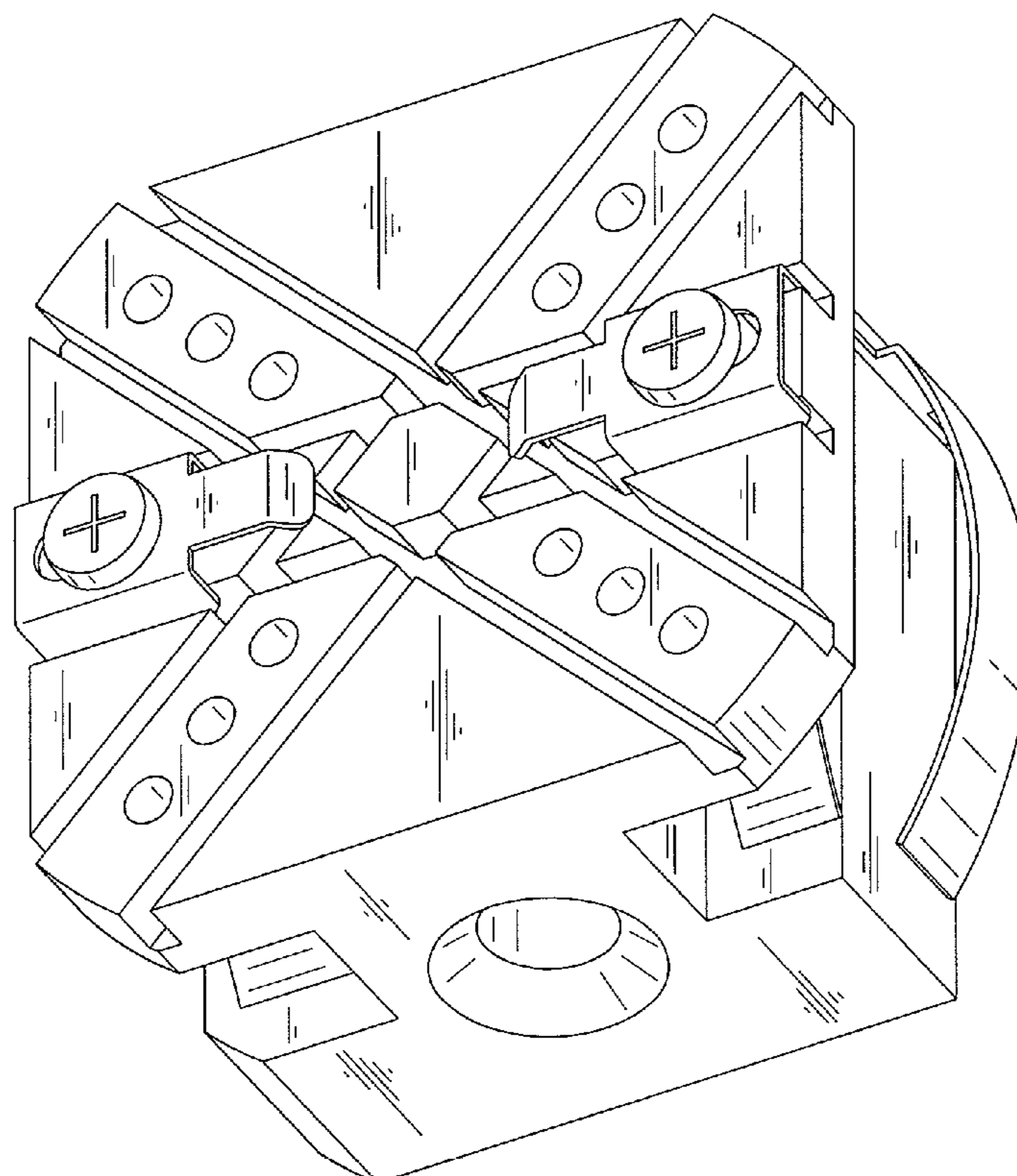
FIG. 7 is a right side elevational view thereof.

(56) **References Cited**

U.S. PATENT DOCUMENTS

D313,421 S * 1/1991 Dickinson D16/131
D333,187 S * 2/1993 Omi D24/225
D442,287 S * 5/2001 Pogorzelski D24/227
D449,894 S * 10/2001 Novitsky et al. D24/216

1 Claim, 4 Drawing Sheets



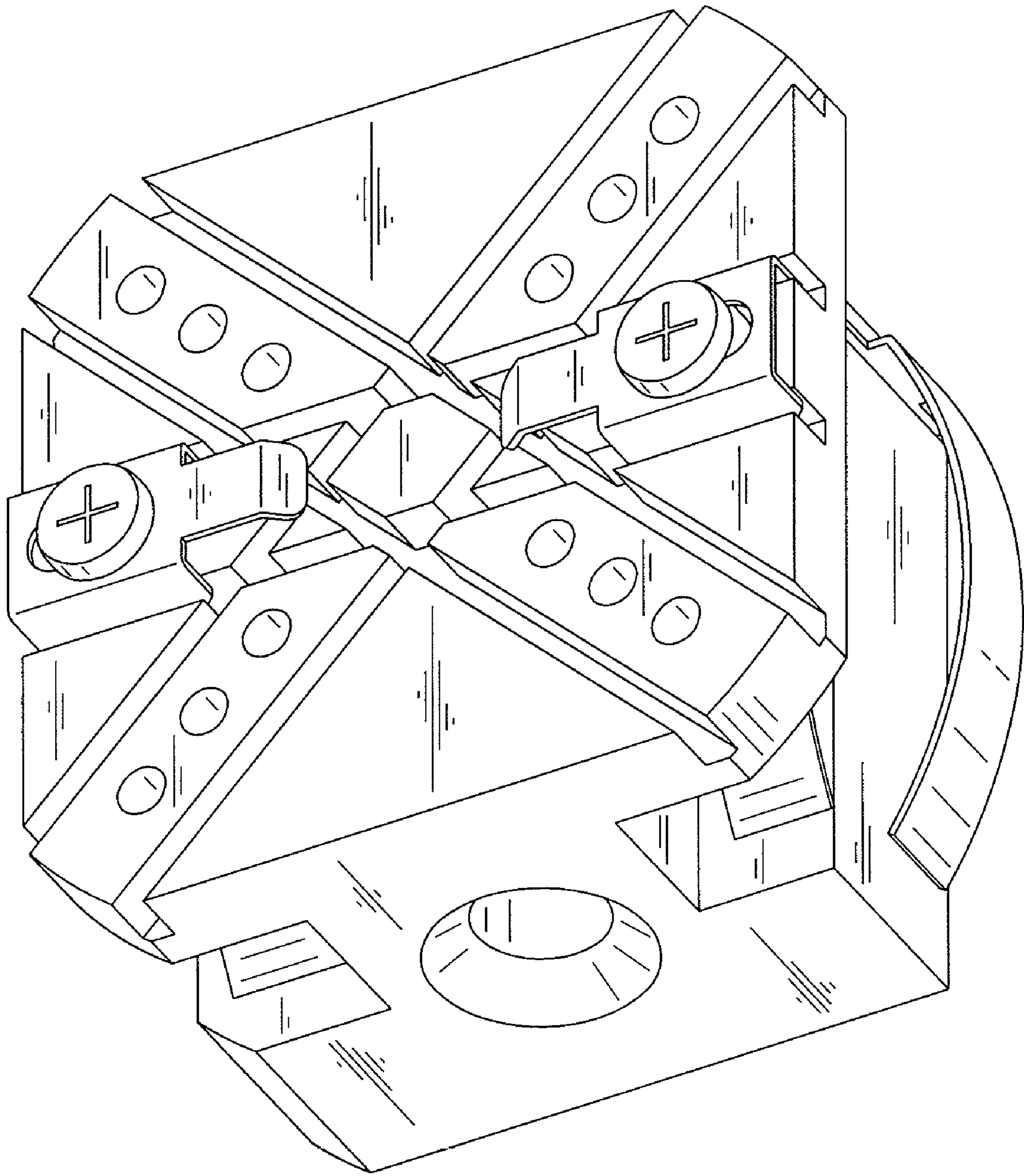


FIG. 1

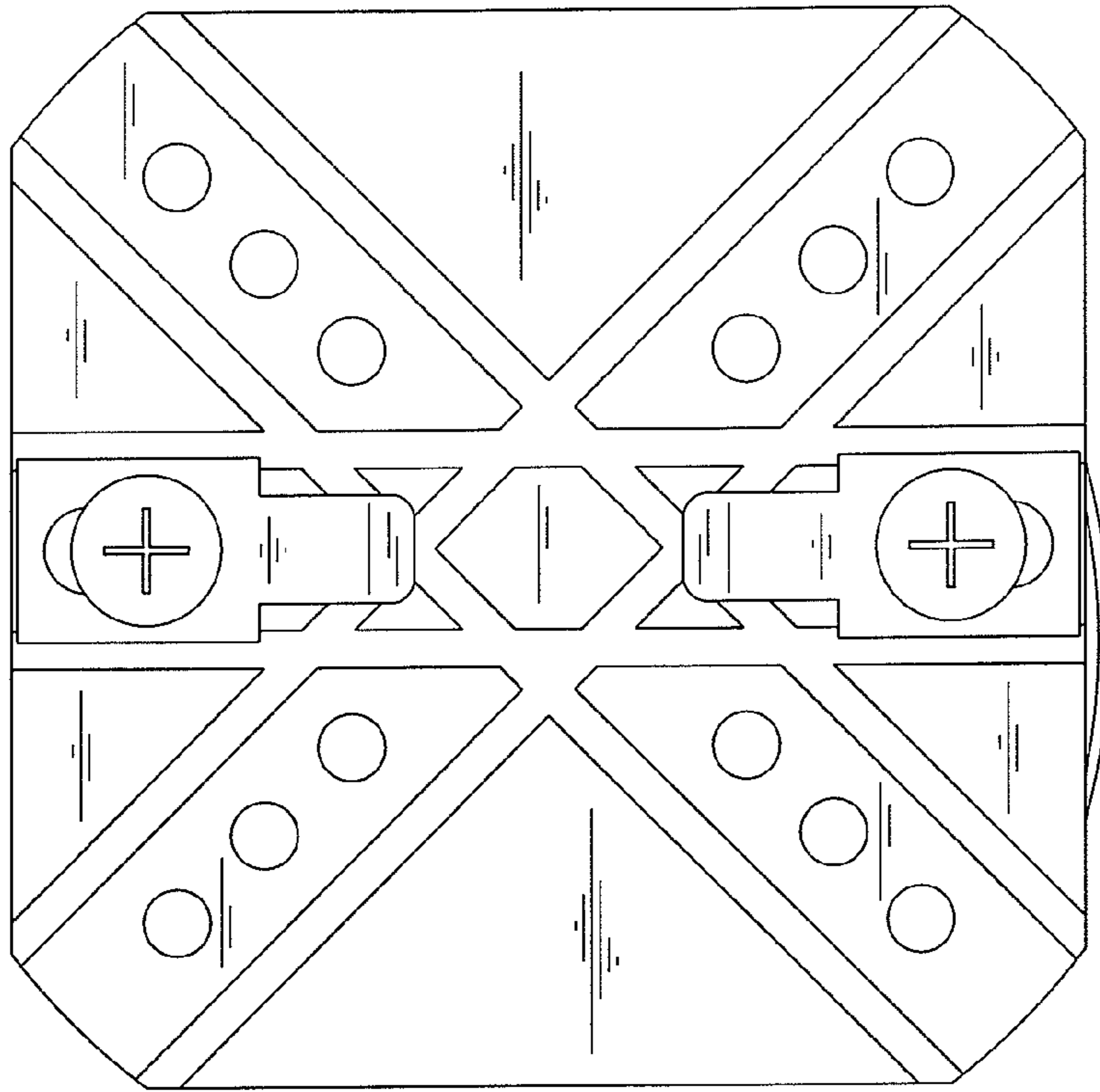


FIG. 2

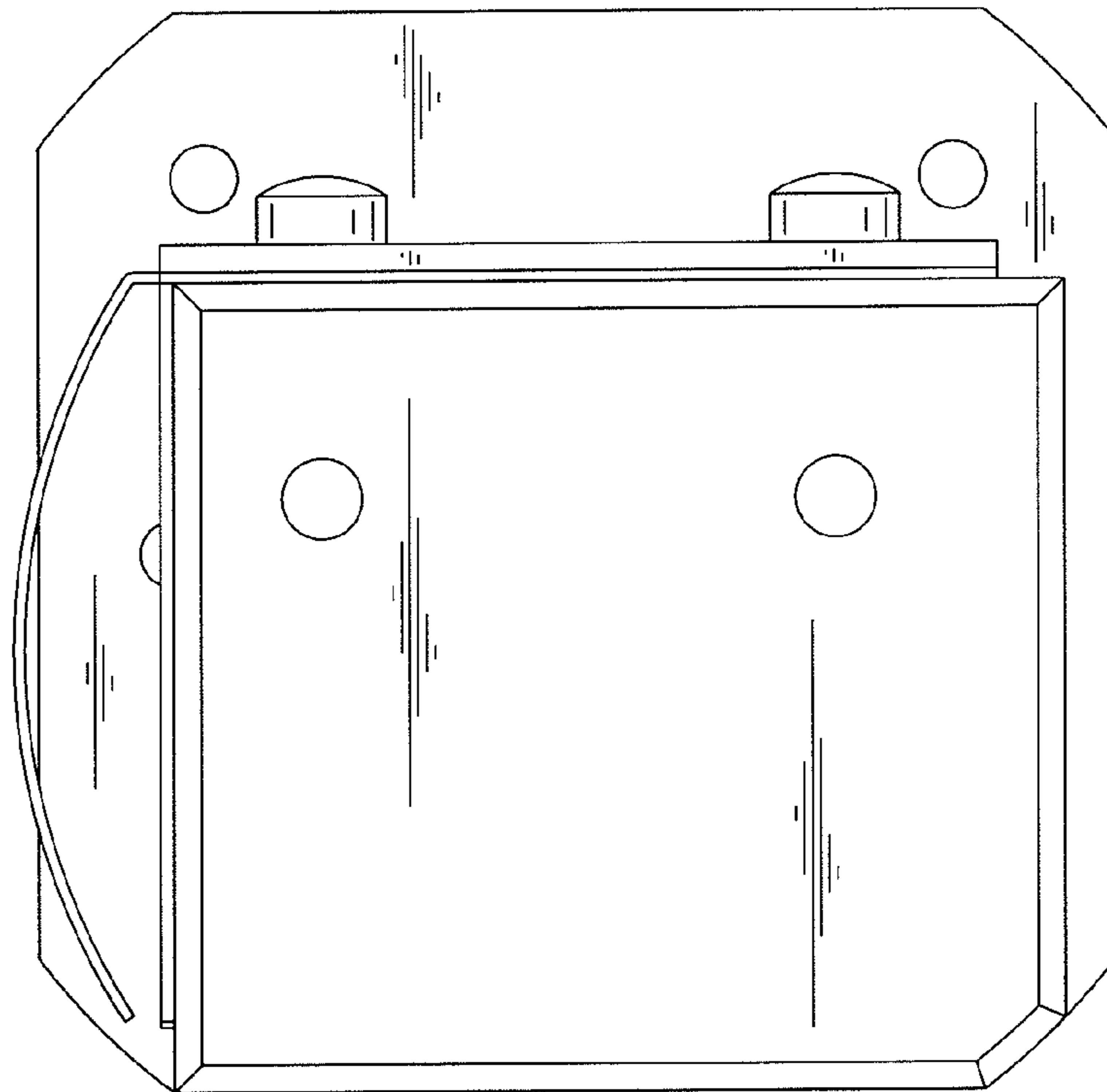


FIG. 3

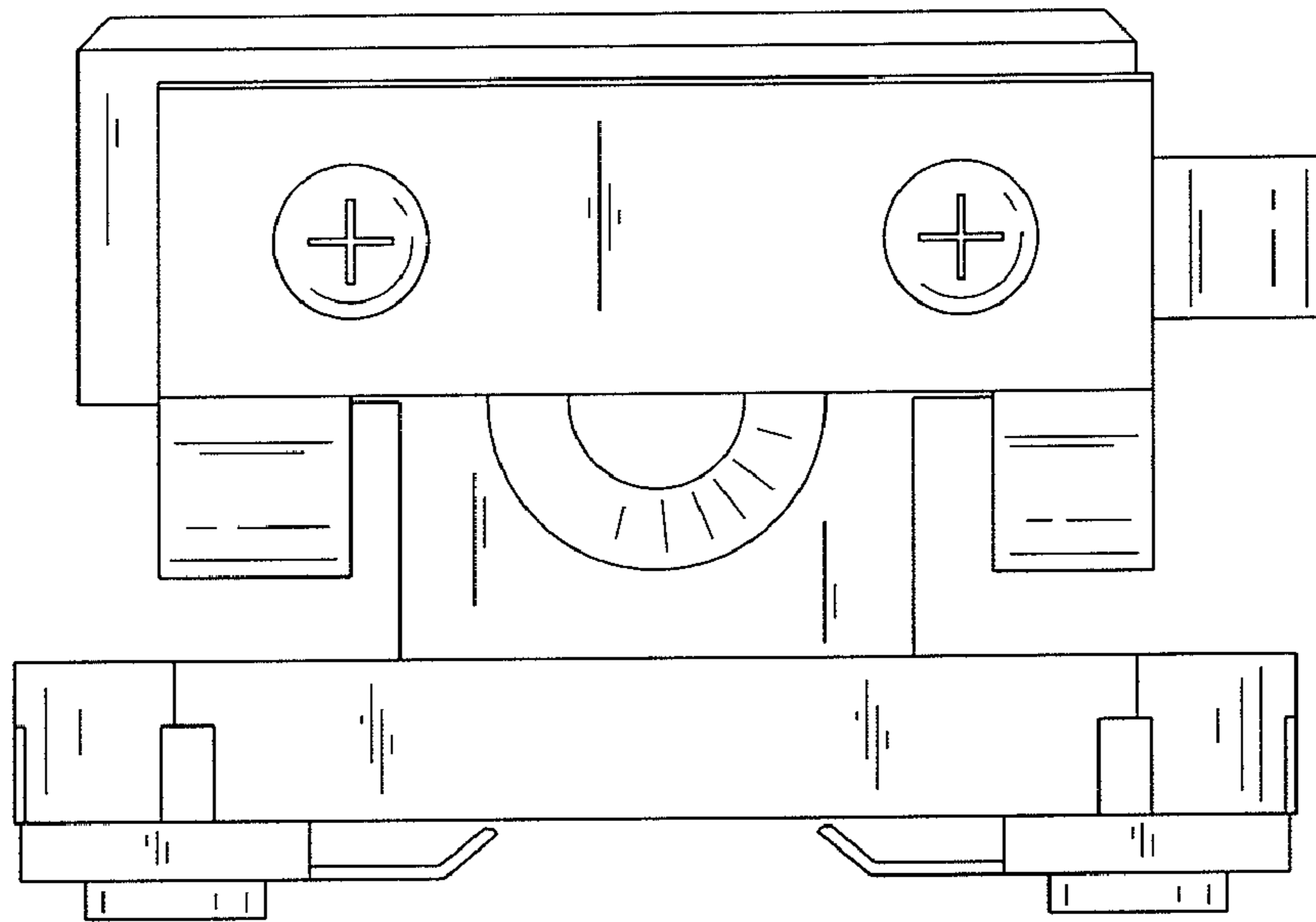


FIG. 4

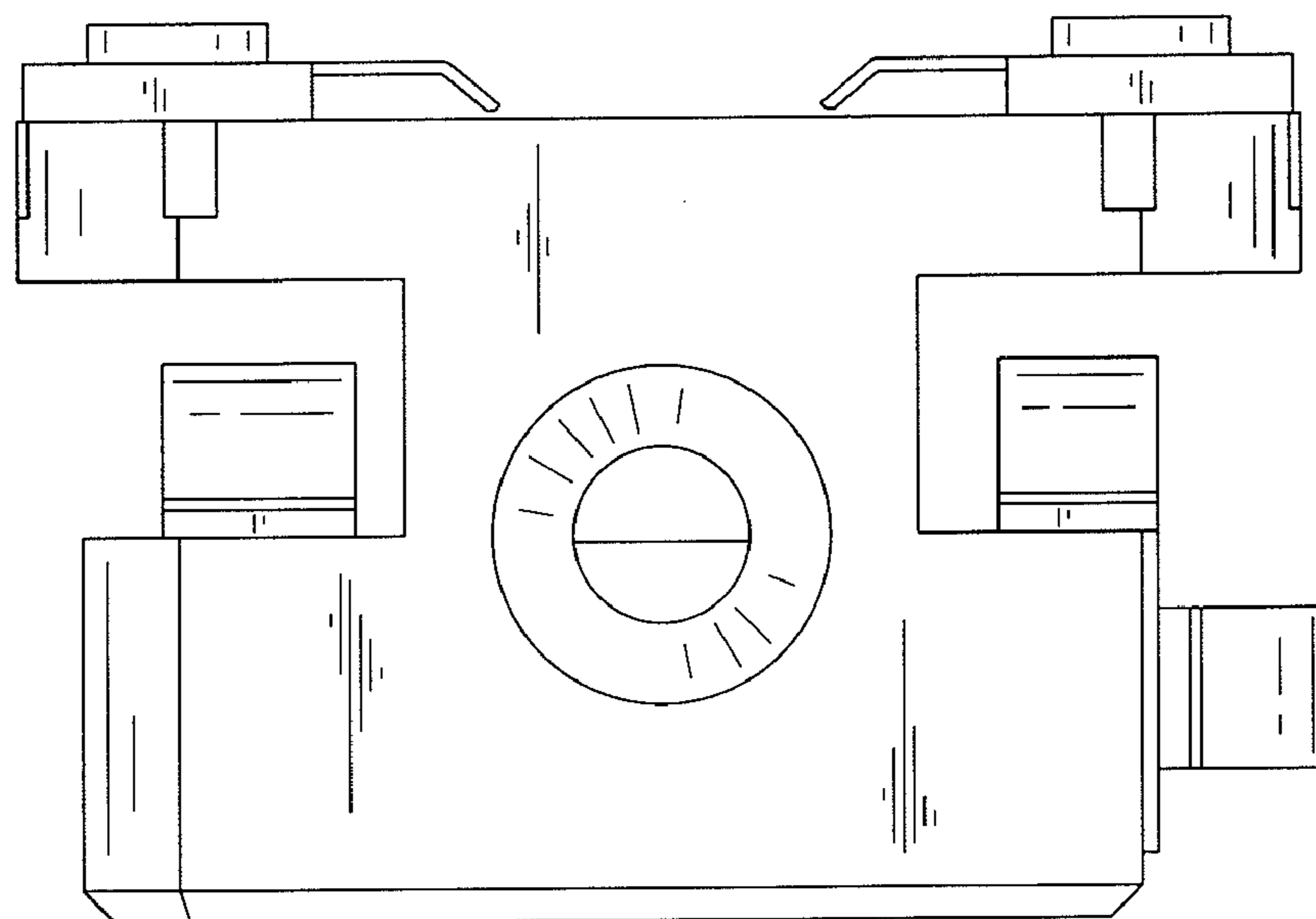


FIG. 5

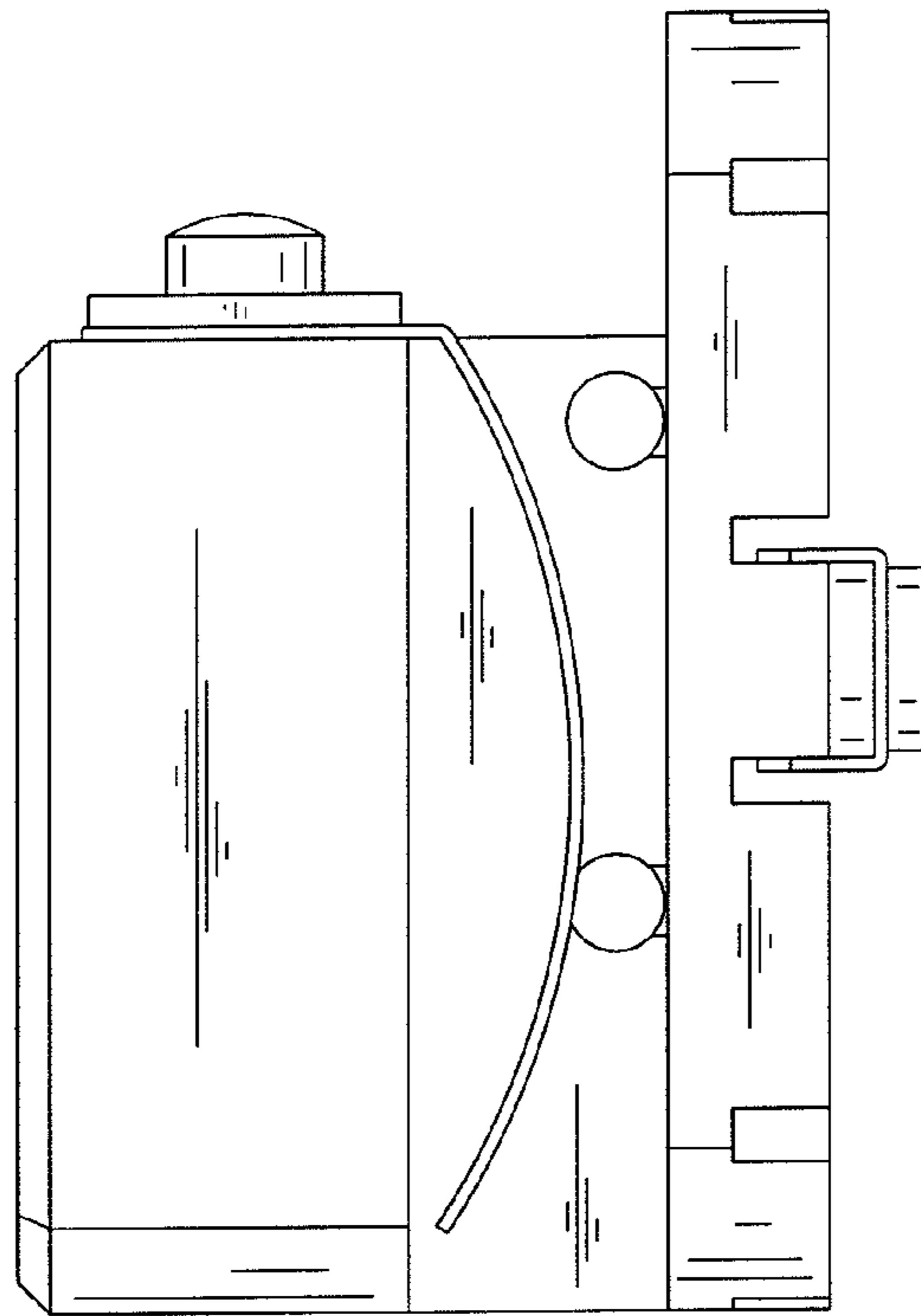


FIG. 6

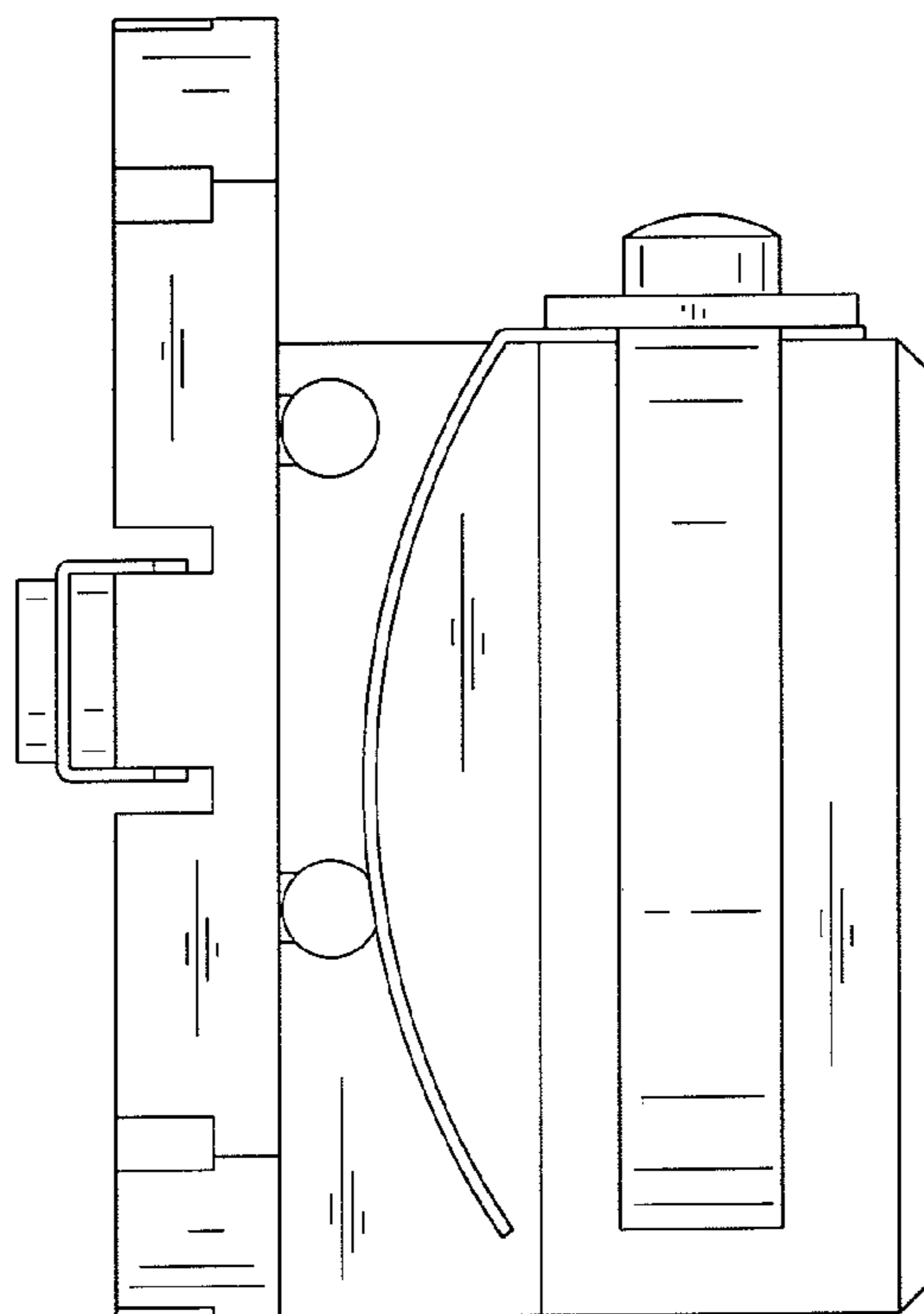


FIG. 7