

US00D578653S

(12) **United States Design Patent**  
**Suzuki et al.**

(10) **Patent No.:** **US D578,653 S**

(45) **Date of Patent:** **\*\* Oct. 14, 2008**

(54) **SAMPLE HOLDER**

D468,022 S \* 12/2002 Henderson et al. .... D24/216  
D501,561 S \* 2/2005 Smith ..... D24/227

(75) Inventors: **Hiroyuki Suzuki**, Hitachinaka (JP);  
**Masahiro Sasajima**, Hitachinaka (JP)

**FOREIGN PATENT DOCUMENTS**

(73) Assignee: **Hitachi High-Technologies Corporation**, Tokyo (JP)

JP 07-128598 5/1995  
JP 2000-234988 8/2000

(\*\*) Term: **14 Years**

\* cited by examiner

(21) Appl. No.: **29/304,367**

*Primary Examiner*—Louis S Zarfaz

*Assistant Examiner*—Anhdao Doan

(22) Filed: **Feb. 29, 2008**

(74) *Attorney, Agent, or Firm*—Antonelli, Terry, Stout & Kraus, LLP.

(30) **Foreign Application Priority Data**

(57) **CLAIM**

Aug. 30, 2007 (JP) ..... 2007-023567

We claim the ornamental design for a sample holder, as shown.

(51) **LOC (8) Cl.** ..... **24-01**

**DESCRIPTION**

(52) **U.S. Cl.** ..... **D24/216; D24/224**

(58) **Field of Classification Search** ..... D24/216-230;  
422/64, 102, 56, 58, 61, 63, 99, 104; D10/81,  
D10/103; 356/246; D16/130, 131, 136;  
359/391

FIG. 1 is a front, bottom and right side perspective view of a sample holder showing our new design;

FIG. 2 is a front elevational view thereof;

See application file for complete search history.

FIG. 3 is a rear elevational view thereof;

(56) **References Cited**

**U.S. PATENT DOCUMENTS**

D313,421 S \* 1/1991 Dickinson ..... D16/131  
D333,187 S \* 2/1993 Omi ..... D24/225  
D442,287 S \* 5/2001 Pogorzelski ..... D24/227  
D449,894 S \* 10/2001 Novitsky et al. .... D24/216

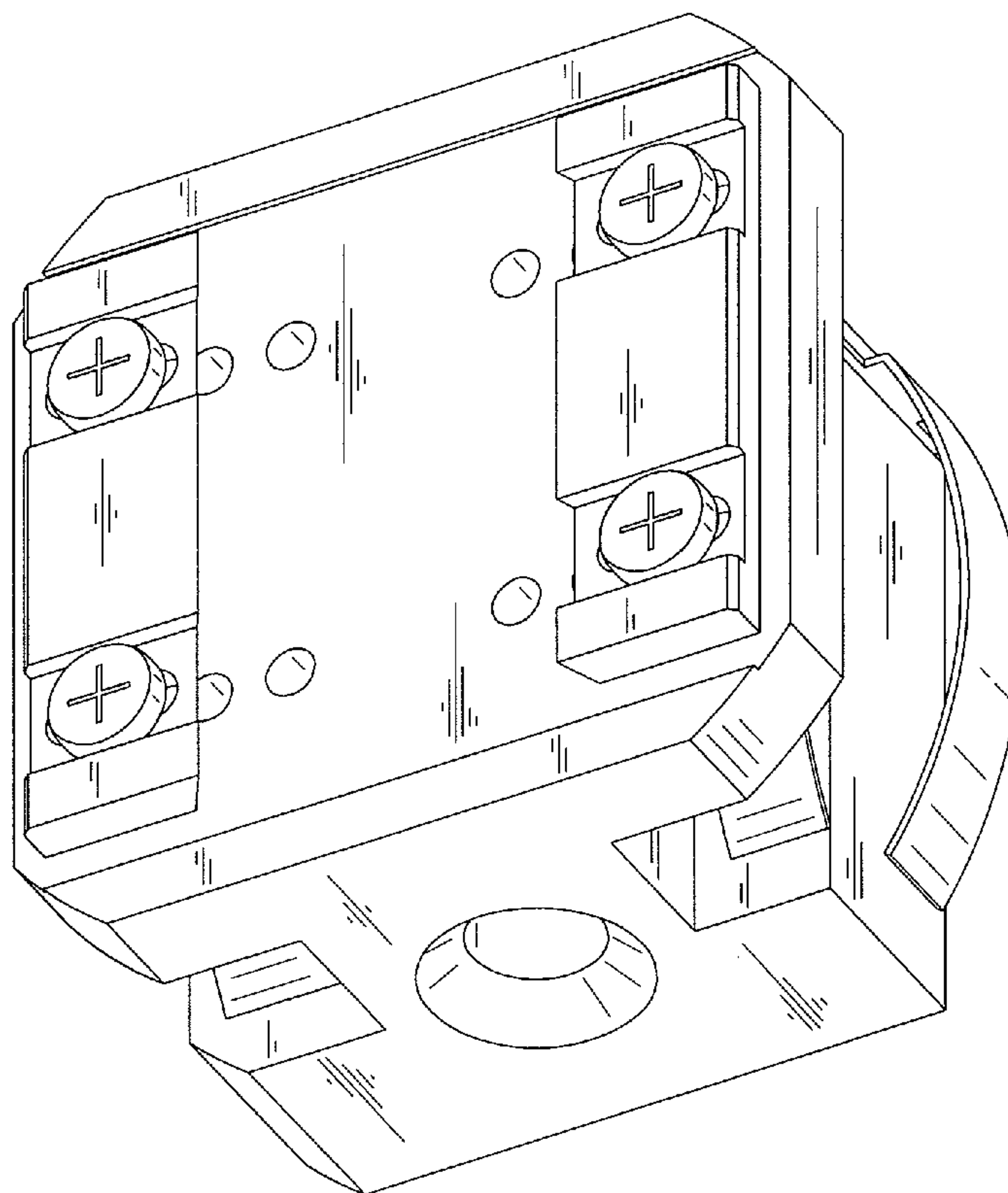
FIG. 4 is a top plan view thereof;

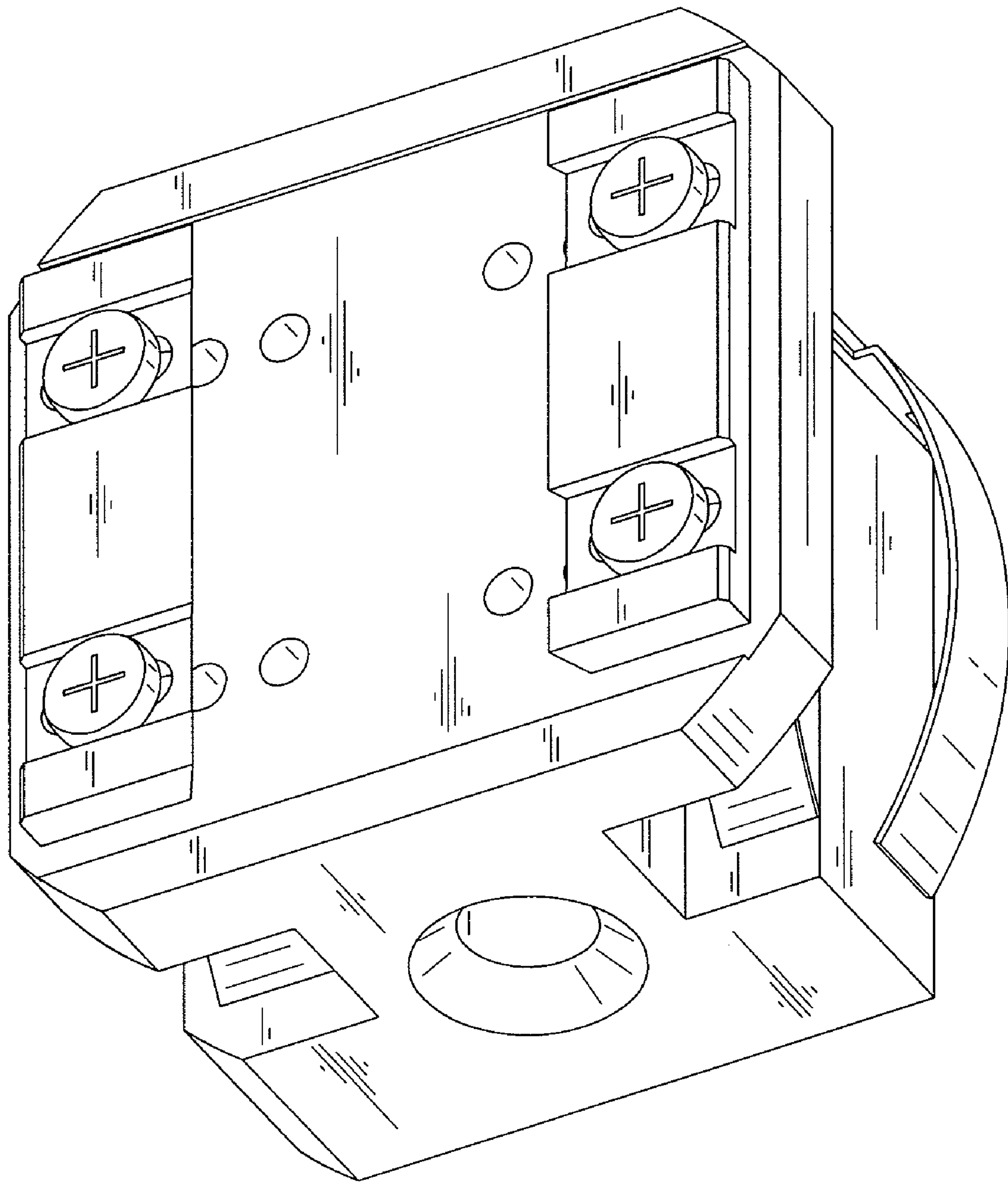
FIG. 5 is a bottom plan view thereof;

FIG. 6 is a left side elevational view thereof; and,

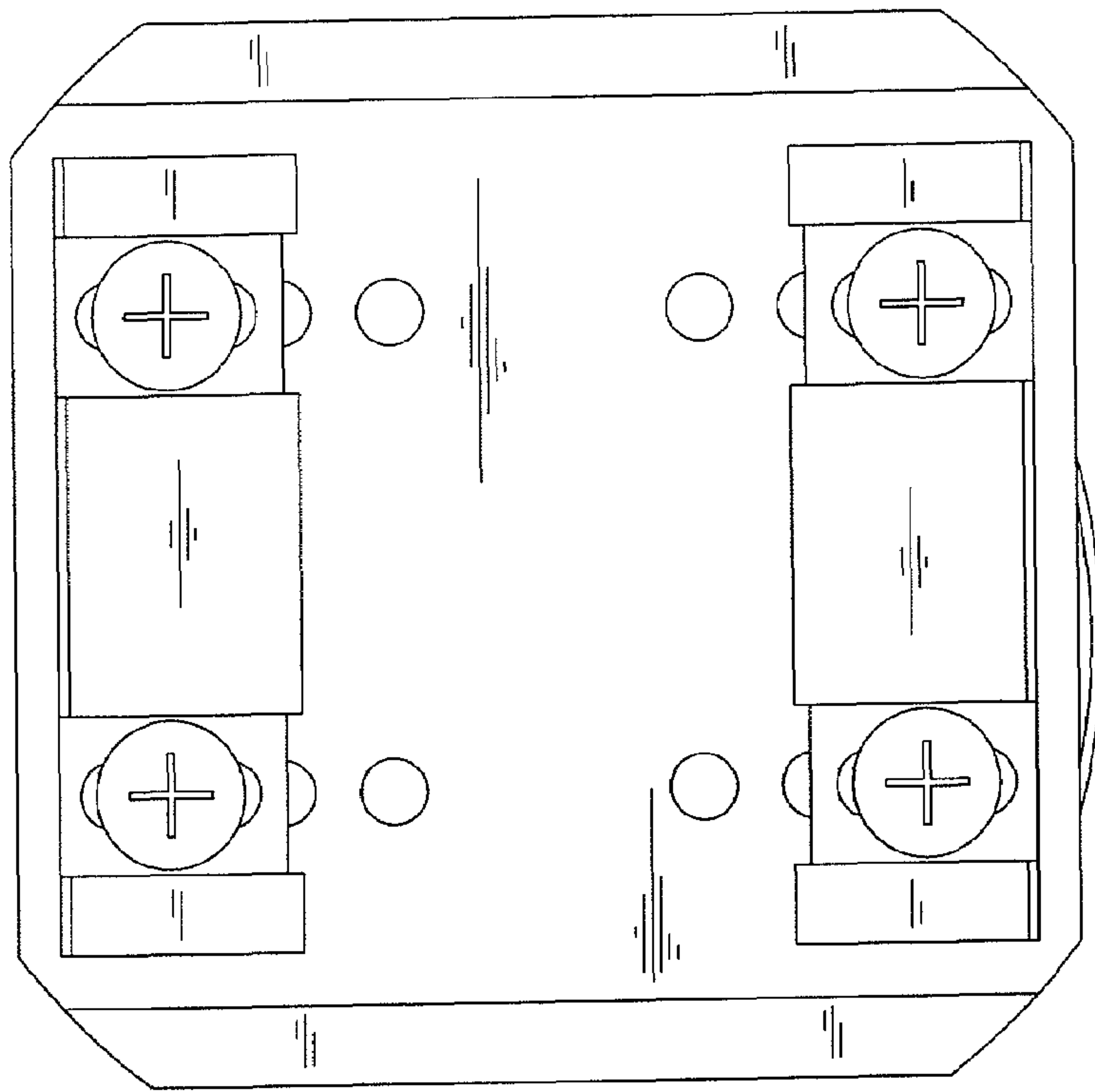
FIG. 7 is a right side elevational view thereof.

**1 Claim, 4 Drawing Sheets**

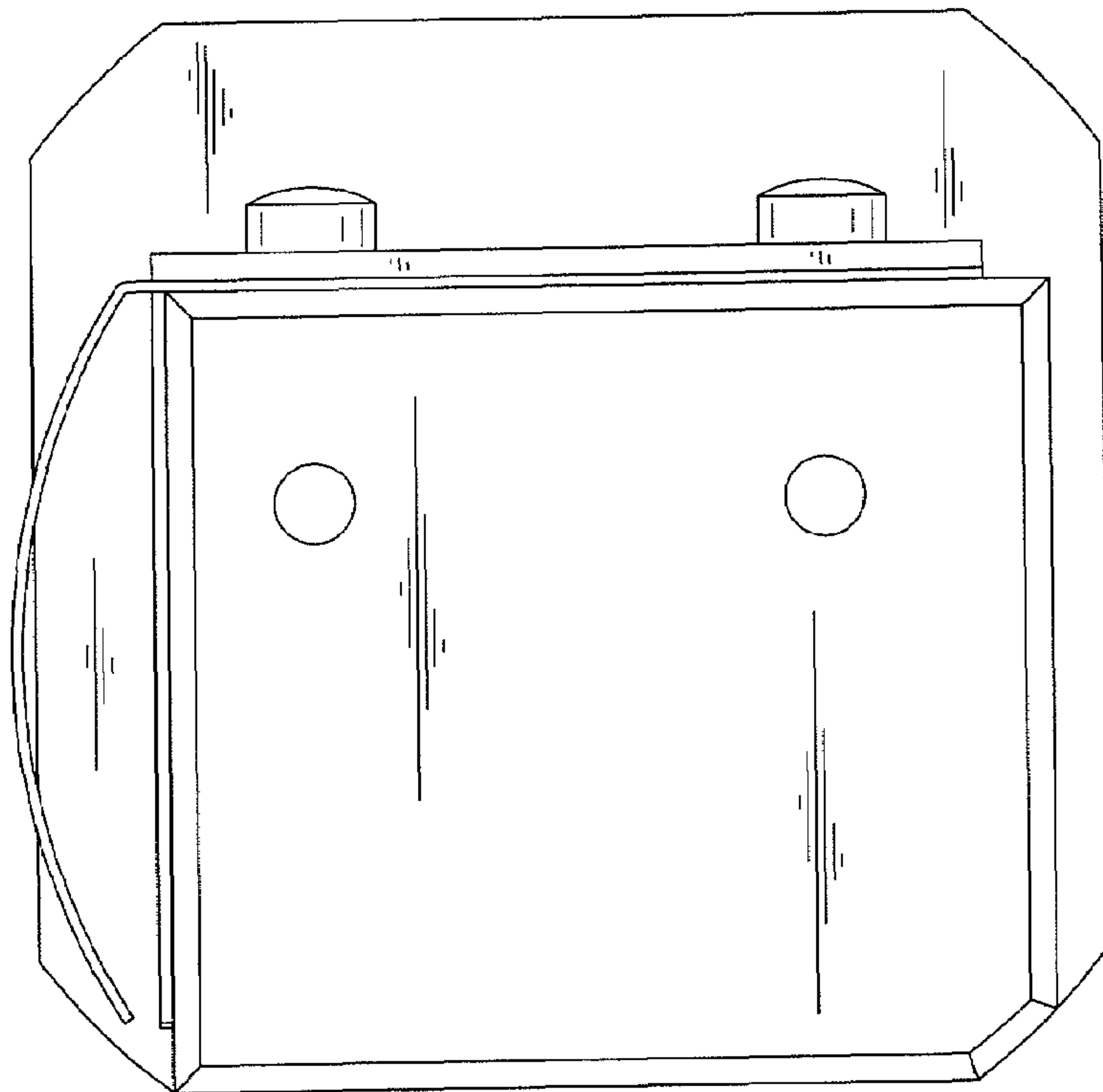




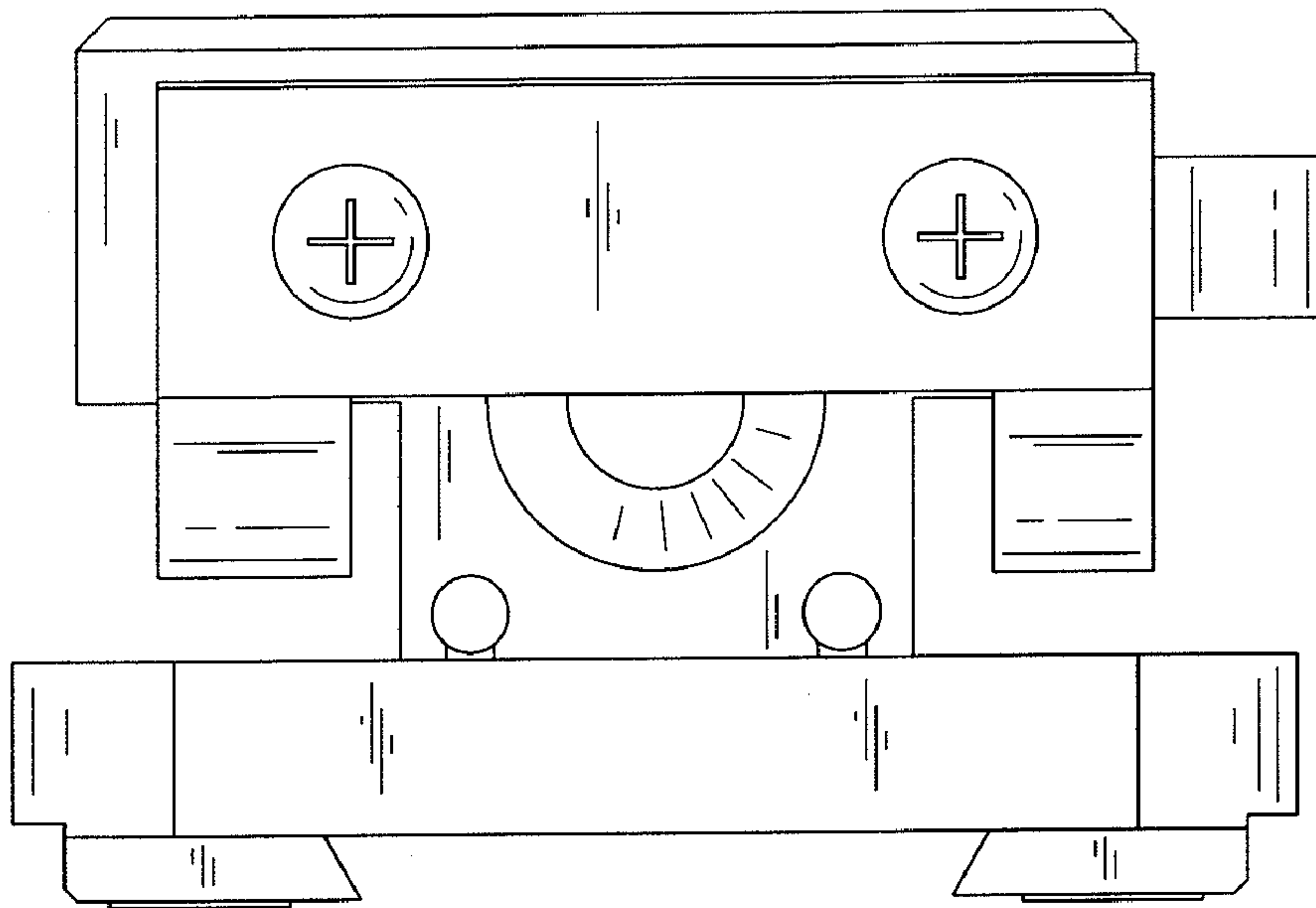
**FIG. 1**



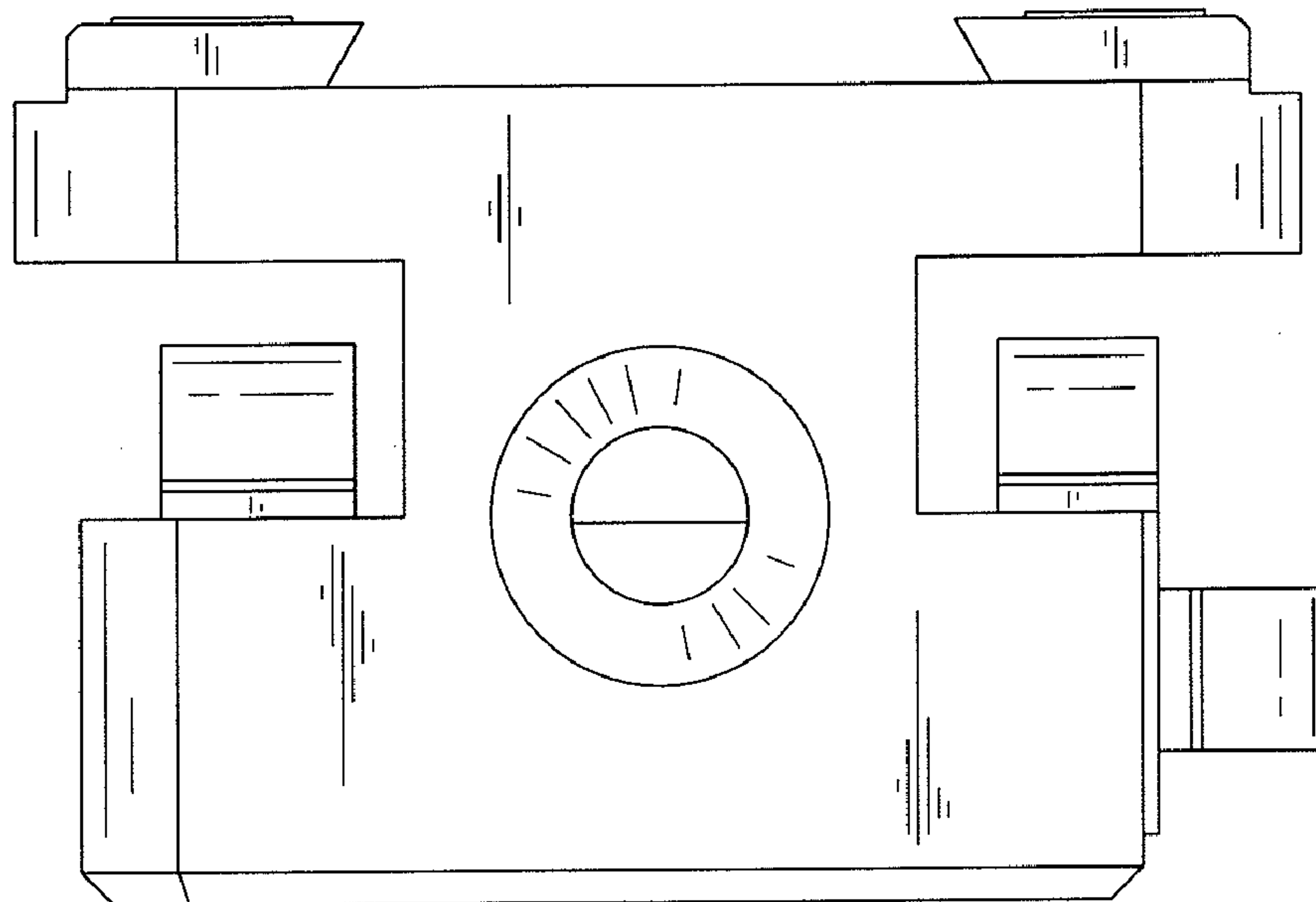
**FIG. 2**



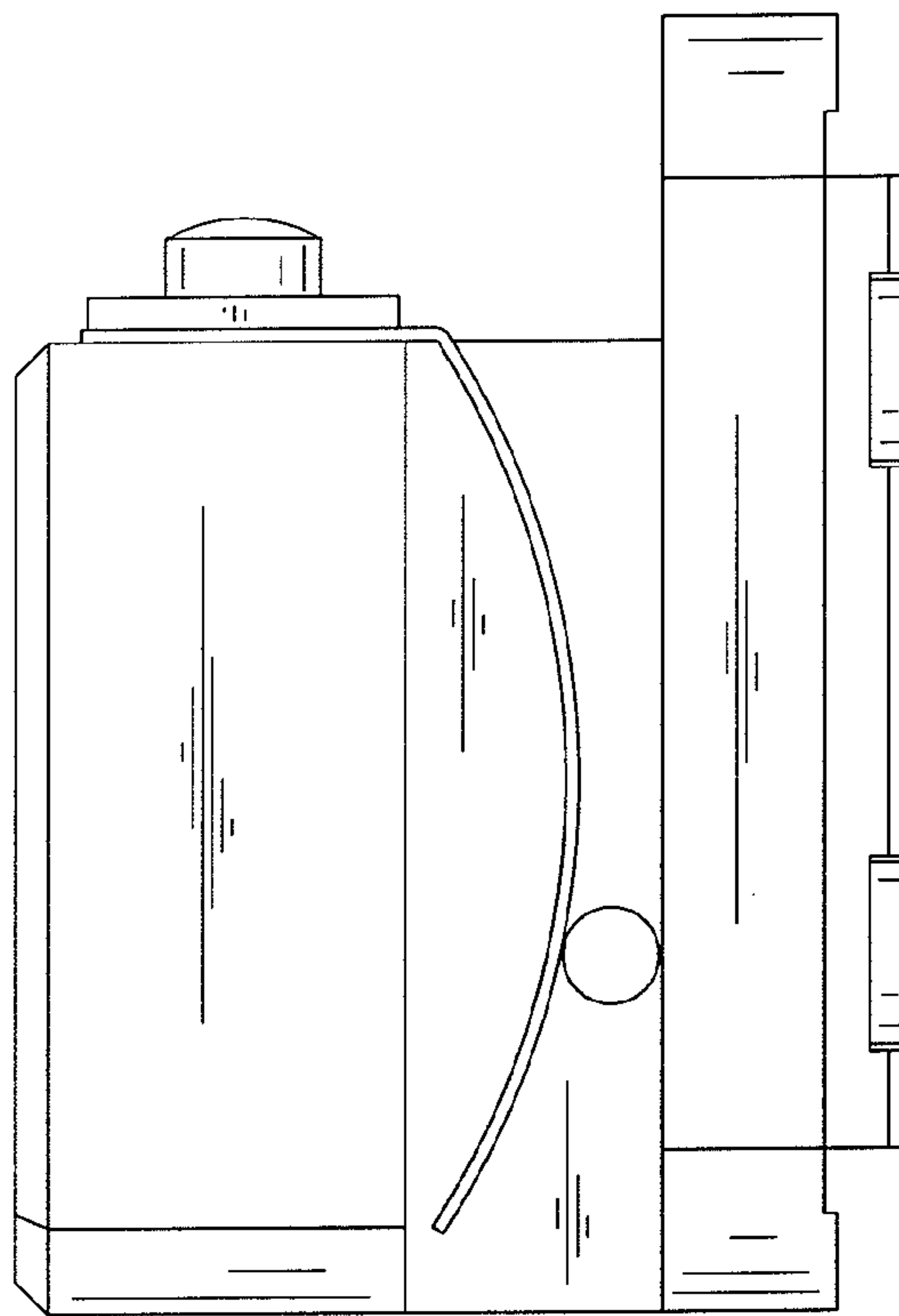
**FIG. 3**



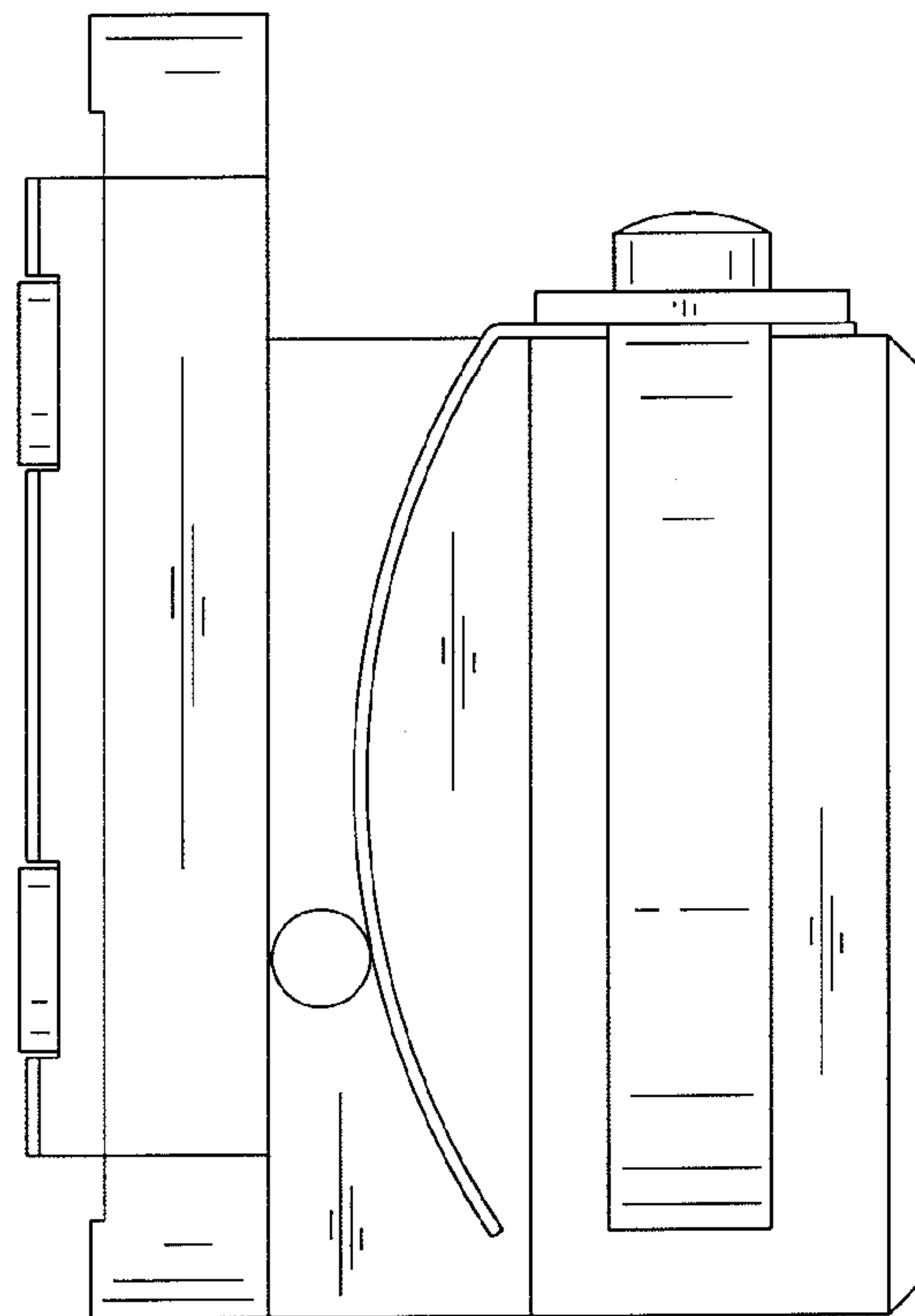
**FIG. 4**



**FIG. 5**



**FIG. 6**



**FIG. 7**