



US00D578647S

(12) **United States Design Patent**
Lash et al.

(10) **Patent No.:** **US D578,647 S**
(45) **Date of Patent:** **** Oct. 14, 2008**

(54) **PORTION OF A SURGICAL RETRACTOR WITH SENSOR**

(75) Inventors: **Robert E. Lash**, Redwood City, CA (US); **Jimmy Jian-min Mao**, Fremont, CA (US)

(73) Assignee: **ViOptix, Inc.**, Fremont, CA (US)

(**) Term: **14 Years**

(21) Appl. No.: **29/298,455**

(22) Filed: **Dec. 5, 2007**

(51) **LOC (8) Cl.** **24-02**

(52) **U.S. Cl.** **D24/135**

(58) **Field of Classification Search** D24/135,
D24/152; 600/201, 202, 237; 433/136, 141,
433/148

See application file for complete search history.

(56) **References Cited**

U.S. PATENT DOCUMENTS

3,394,700 A	7/1968	Yamamoto	
D235,549 S	6/1975	Funderburk	
4,049,000 A	9/1977	Williams	
4,190,042 A	2/1980	Sinnreich	
4,226,228 A	10/1980	Shin et al.	
D275,227 S	8/1984	Garner, Jr.	
4,597,382 A	7/1986	Perez, Jr.	
4,738,248 A	4/1988	Ray	
4,919,616 A	4/1990	Croll	
4,959,067 A	9/1990	Muller	
D312,306 S	11/1990	Michelson	
D318,116 S	7/1991	Michelson	
5,123,403 A	6/1992	Lavyne	
5,520,611 A	5/1996	Rao et al.	
5,769,781 A	6/1998	Chappuis	
5,803,904 A	9/1998	Mehdizadeh	
5,891,018 A	4/1999	Wells	
D411,883 S	7/1999	Farascioni et al.	
D420,130 S *	2/2000	Nicholas et al.	D24/135

D430,668 S	9/2000	Koros et al.	
D433,134 S	10/2000	Pitesky	
D442,687 S	5/2001	Schulz	
D443,056 S	5/2001	Koros et al.	
D453,377 S	2/2002	Schollhorn et al.	
D457,957 S	5/2002	Sanford et al.	
6,416,465 B2	7/2002	Brau	
6,875,173 B2	4/2005	Suddaby	
D510,768 S	10/2005	Farley	
6,994,548 B2	2/2006	Perret, Jr.	
D533,946 S *	12/2006	Lintner et al.	D24/152
7,226,413 B2	6/2007	McKinley	

OTHER PUBLICATIONS

Nerve Root Retractors, Codman Surgical Product Catalog 380-385 (2004).

* cited by examiner

Primary Examiner—Ian Simmons

Assistant Examiner—Christopher Lee

(74) *Attorney, Agent, or Firm*—Aka Chan LLP

(57) **CLAIM**

The ornamental design for a portion of a surgical retractor with sensor, as shown and described.

DESCRIPTION

FIG. 1 shows a perspective view of a design for a portion of a surgical retractor with sensor.

FIG. 2 shows a left side view of the design.

FIG. 3 shows a right side view of the design.

FIG. 4 shows a bottom view of the design.

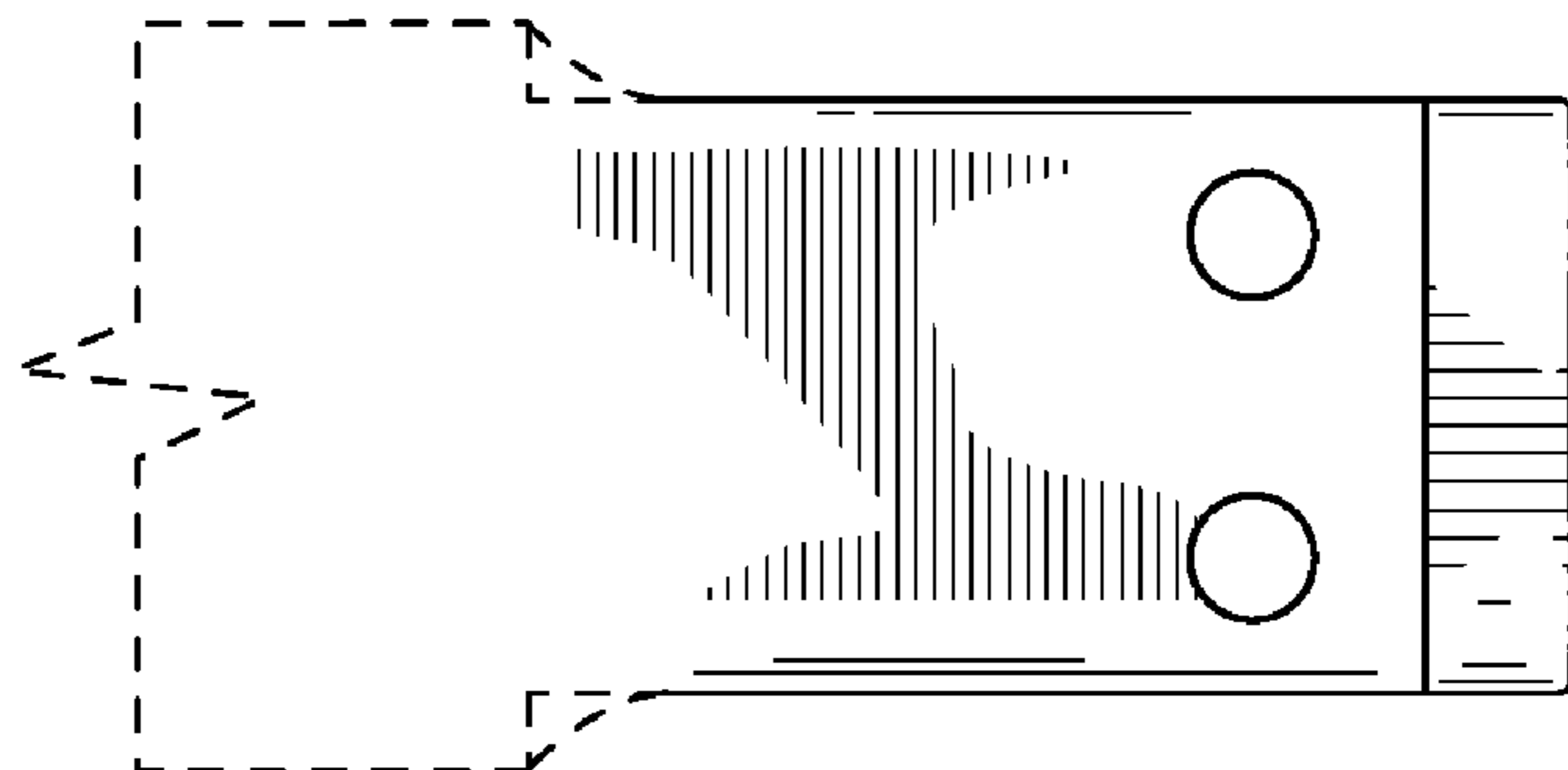
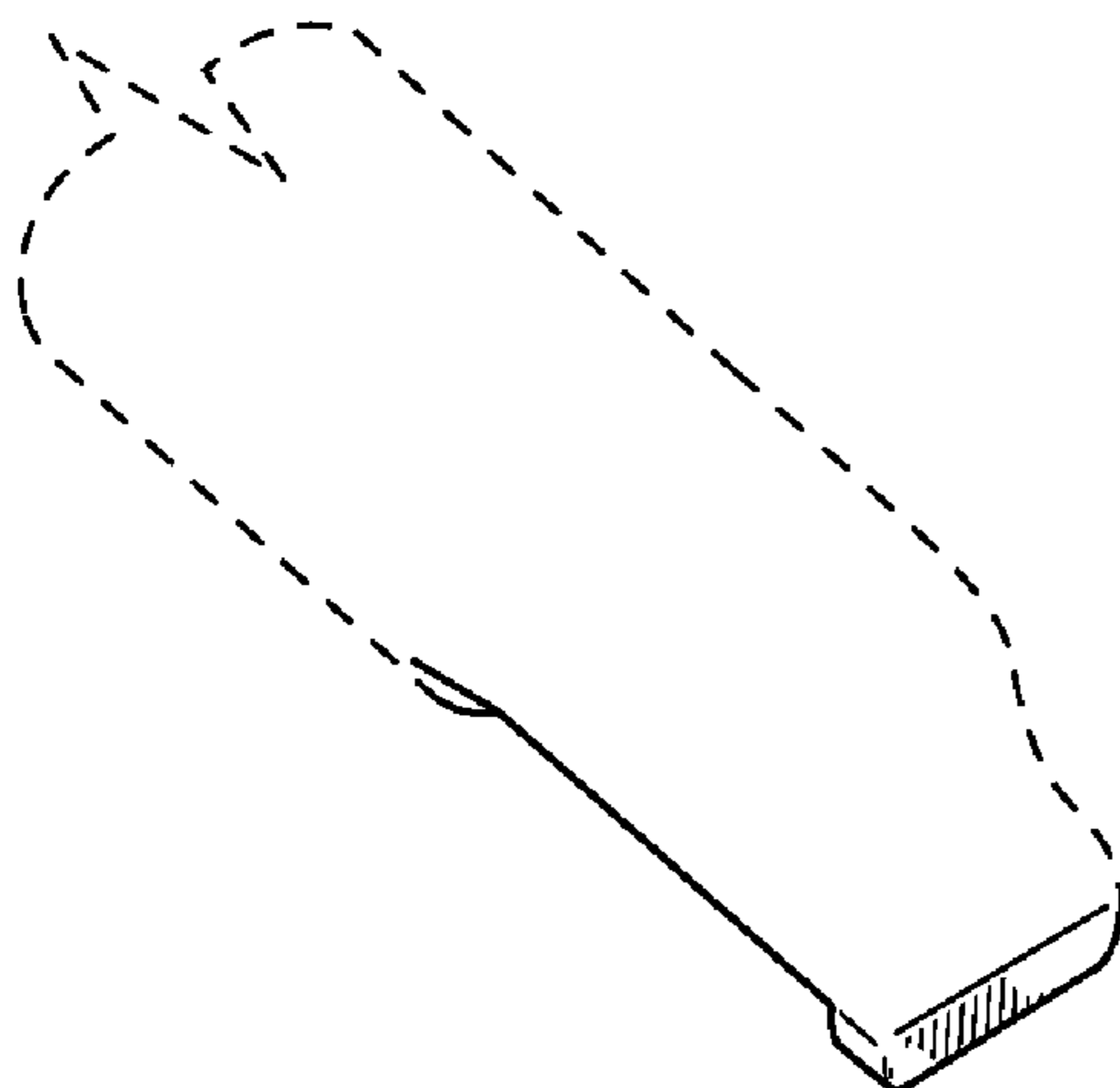
FIG. 5 shows a top view of the design.

FIG. 6 shows a front view of the design; and,

FIG. 7 shows a back view of the design.

The broken-line features in the figures are for illustrative purposes only and form no part of the claimed design.

1 Claim, 4 Drawing Sheets



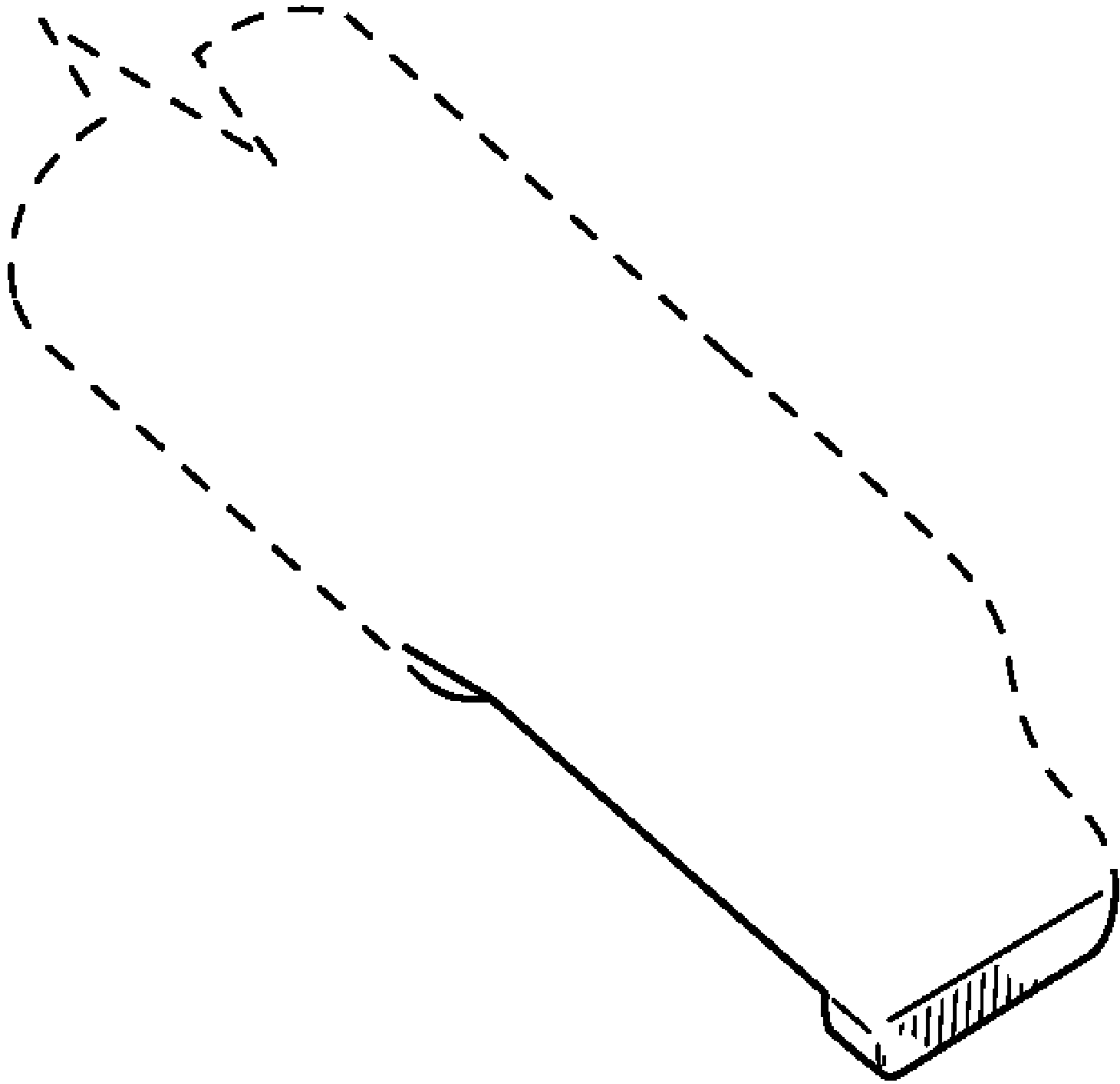


FIG. 1

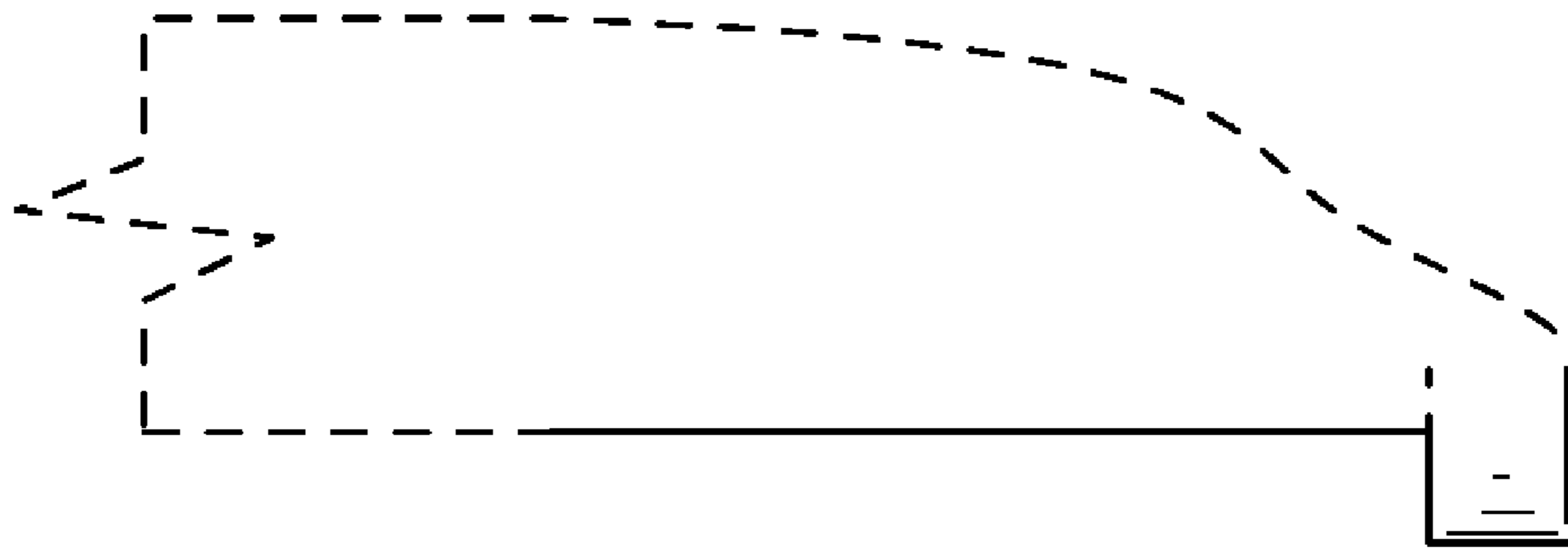


FIG. 2

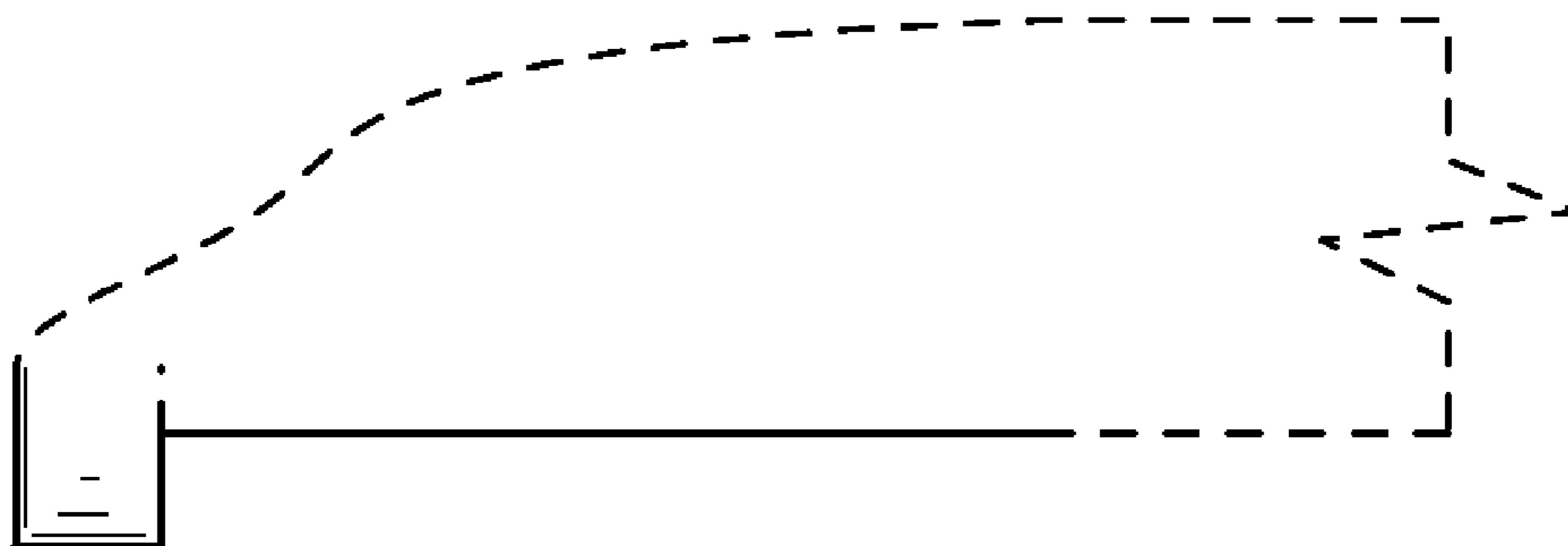


FIG. 3

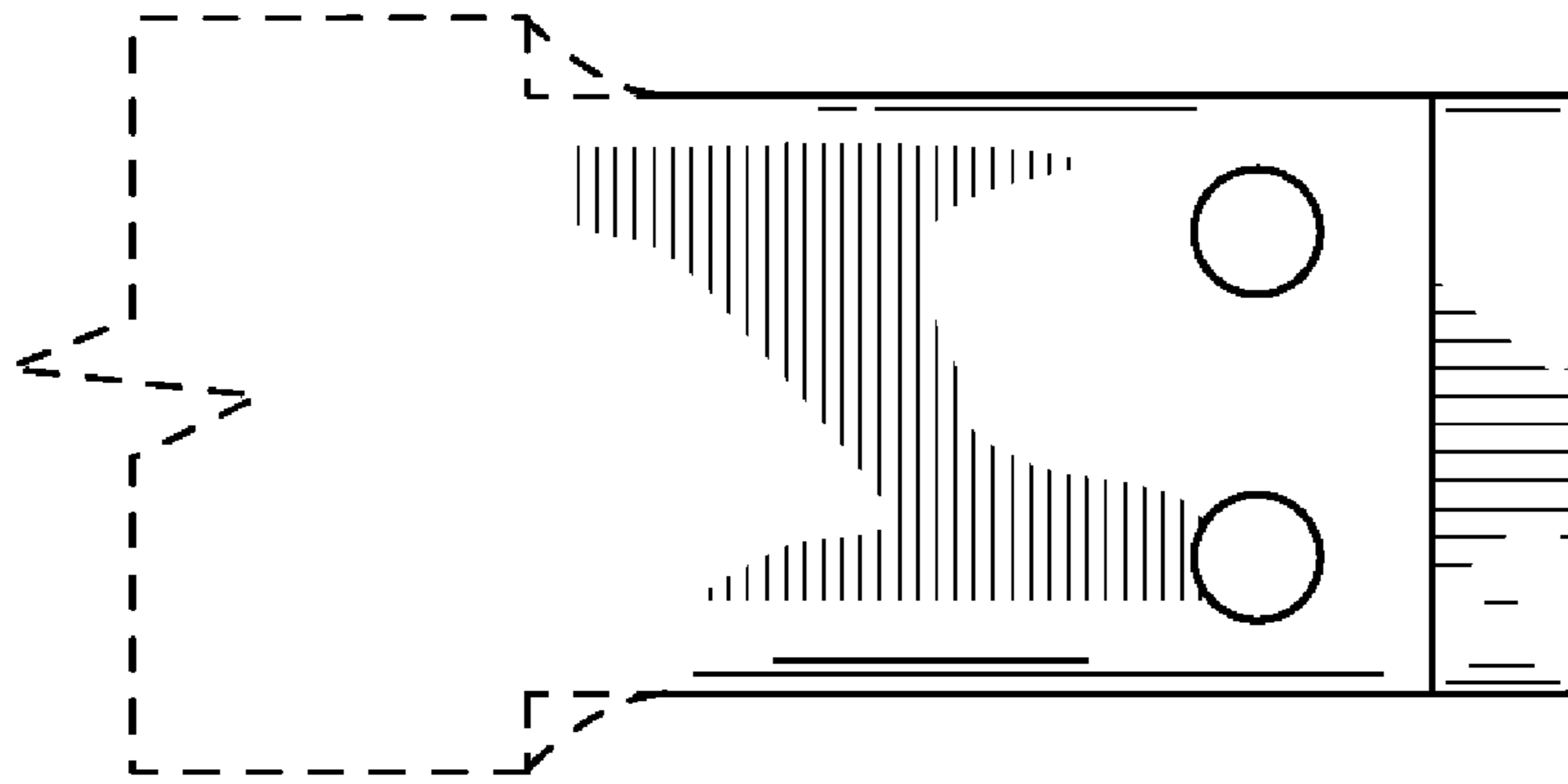


FIG. 4

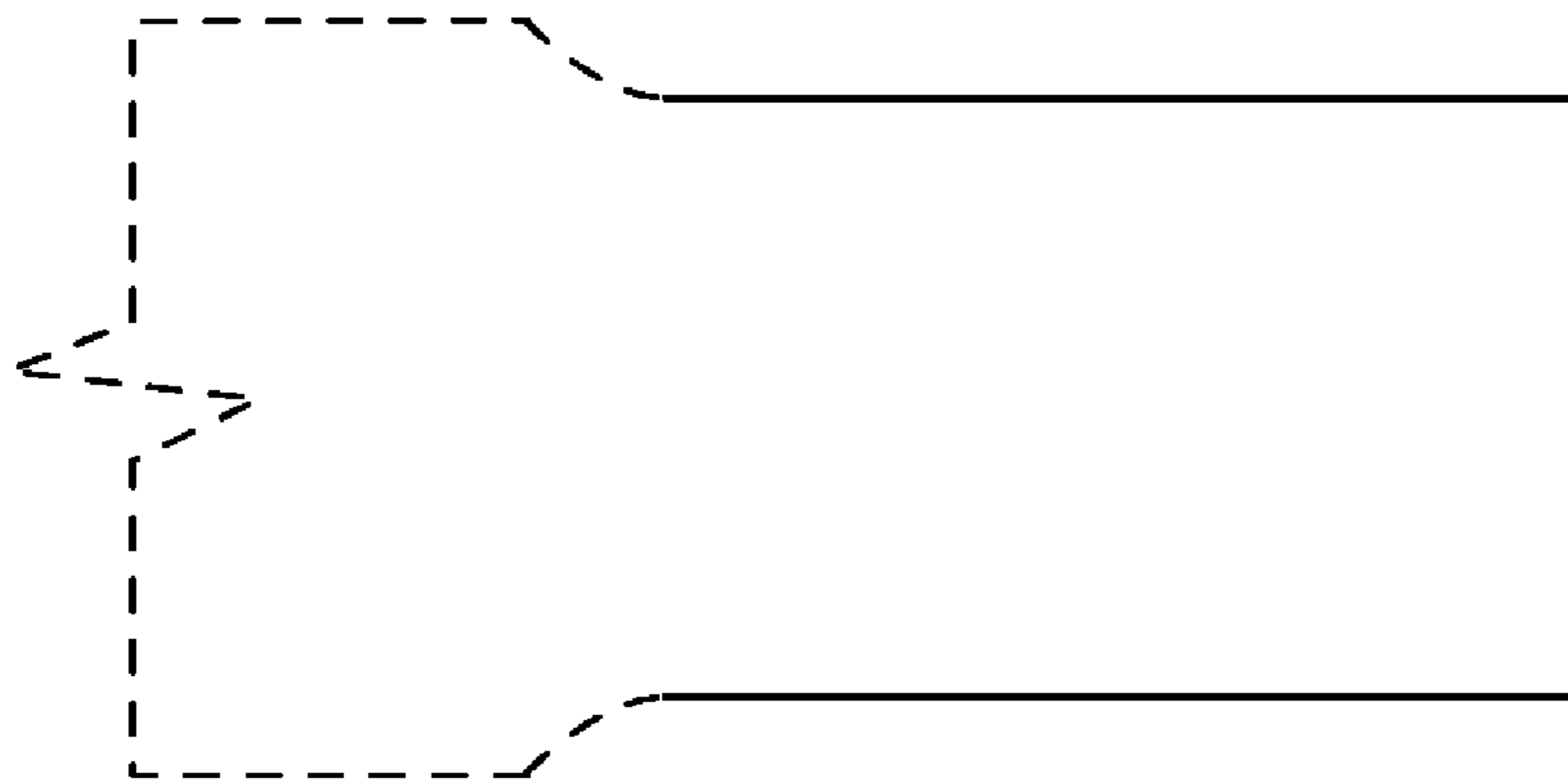


FIG. 5

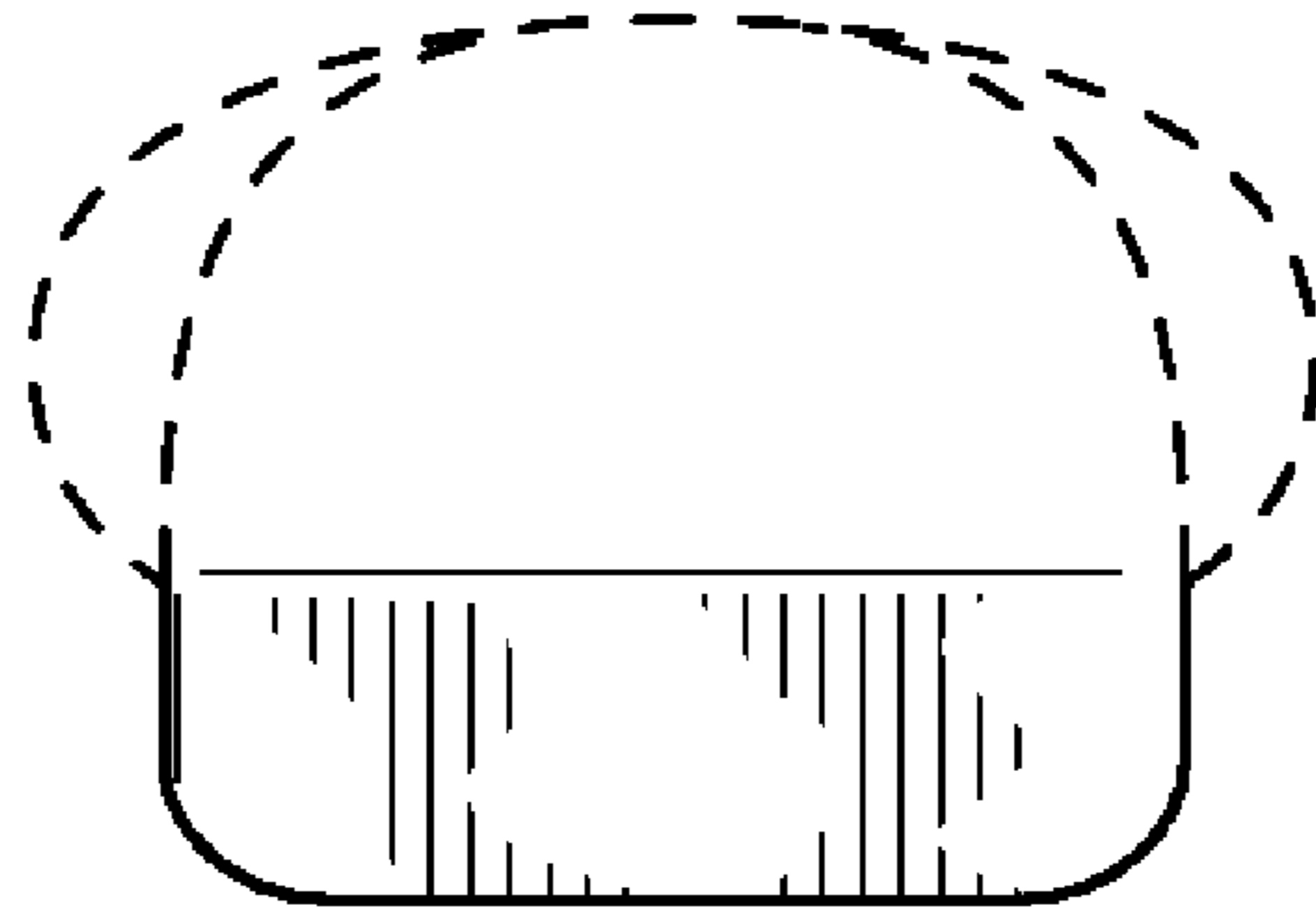


FIG. 6

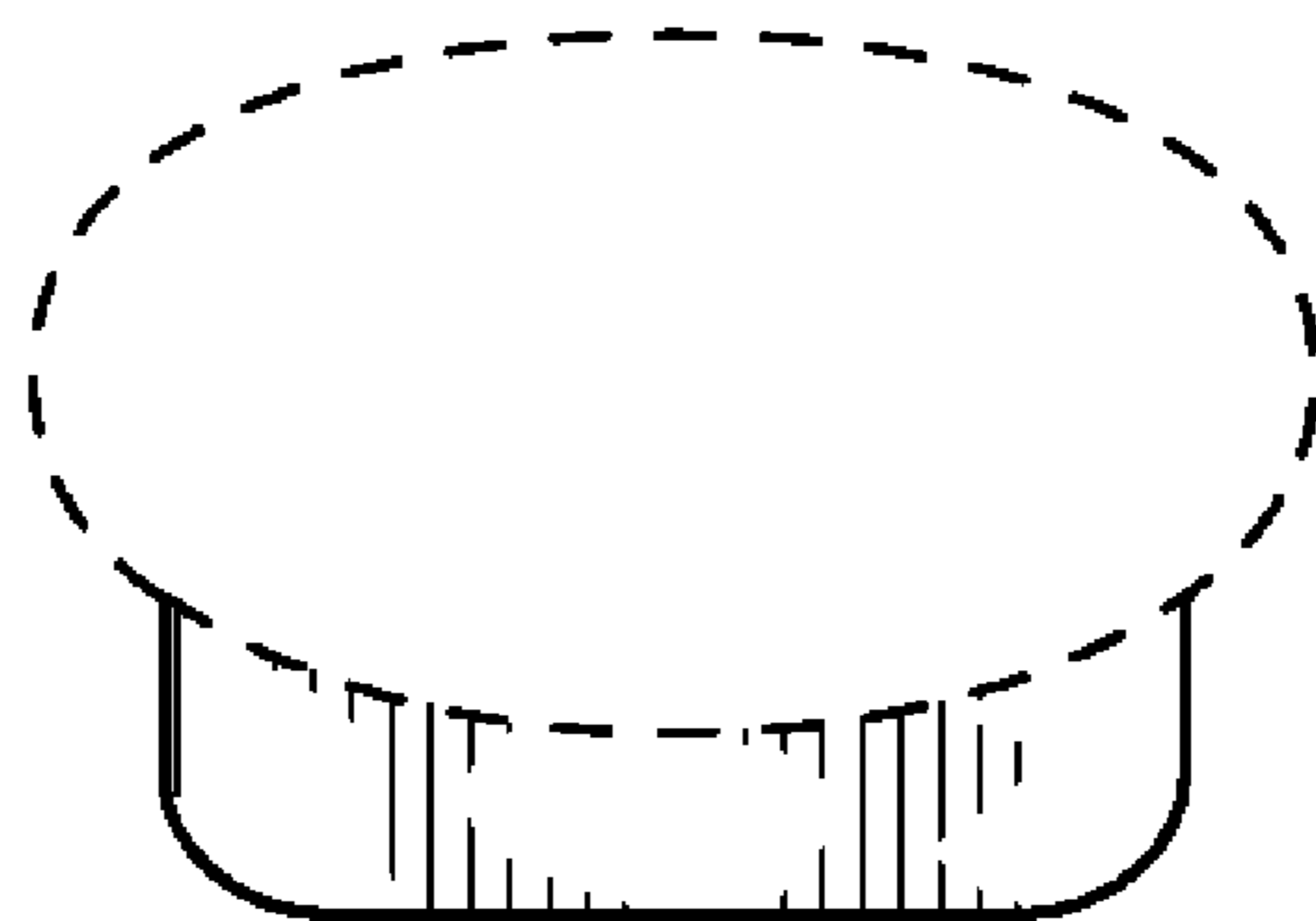


FIG. 7