



US00D578646S

(12) **United States Design Patent**
Tsai

(10) **Patent No.:** **US D578,646 S**
(45) **Date of Patent:** **** Oct. 14, 2008**

(54) **VAGINAL SPECULUM**

(76) **Inventor:** **Yih-Chiou Tsai**, No. 20-8, Lane 252,
Tungchi St., Taichang Li, Tung Shin
Chen, Taichung Hsien (TW)

(**) **Term:** **14 Years**

(21) **Appl. No.:** **29/298,038**

(22) **Filed:** **Nov. 27, 2007**

(51) **LOC (8) Cl.** **24-02**

(52) **U.S. Cl.** **D24/135**

(58) **Field of Classification Search** D24/135;
600/220, 222, 225, 219, 234
See application file for complete search history.

(56) **References Cited**

U.S. PATENT DOCUMENTS

672,239	A *	4/1901	Pilling	600/220
751,475	A *	2/1904	De Vilbiss	600/222
D274,356	S *	6/1984	Riedell	D24/135
5,063,908	A *	11/1991	Collins	600/187
5,499,964	A *	3/1996	Beck et al.	600/220
5,997,474	A *	12/1999	Batchelor	600/220

D474,275	S *	5/2003	Tan	D24/135
2002/0169363	A1 *	11/2002	Herold	600/220
2003/0176772	A1 *	9/2003	Yang	600/220

* cited by examiner

Primary Examiner—Ian Simmons

Assistant Examiner—Carissa C Fitts

(74) *Attorney, Agent, or Firm*—Akerman Senterfitt

(57) **CLAIM**

The ornamental design for a vaginal speculum, as shown.

DESCRIPTION

FIG. 1 is a perspective view of a vaginal speculum, showing my new design;

FIG. 2 is a front view thereof;

FIG. 3 is a rear view thereof;

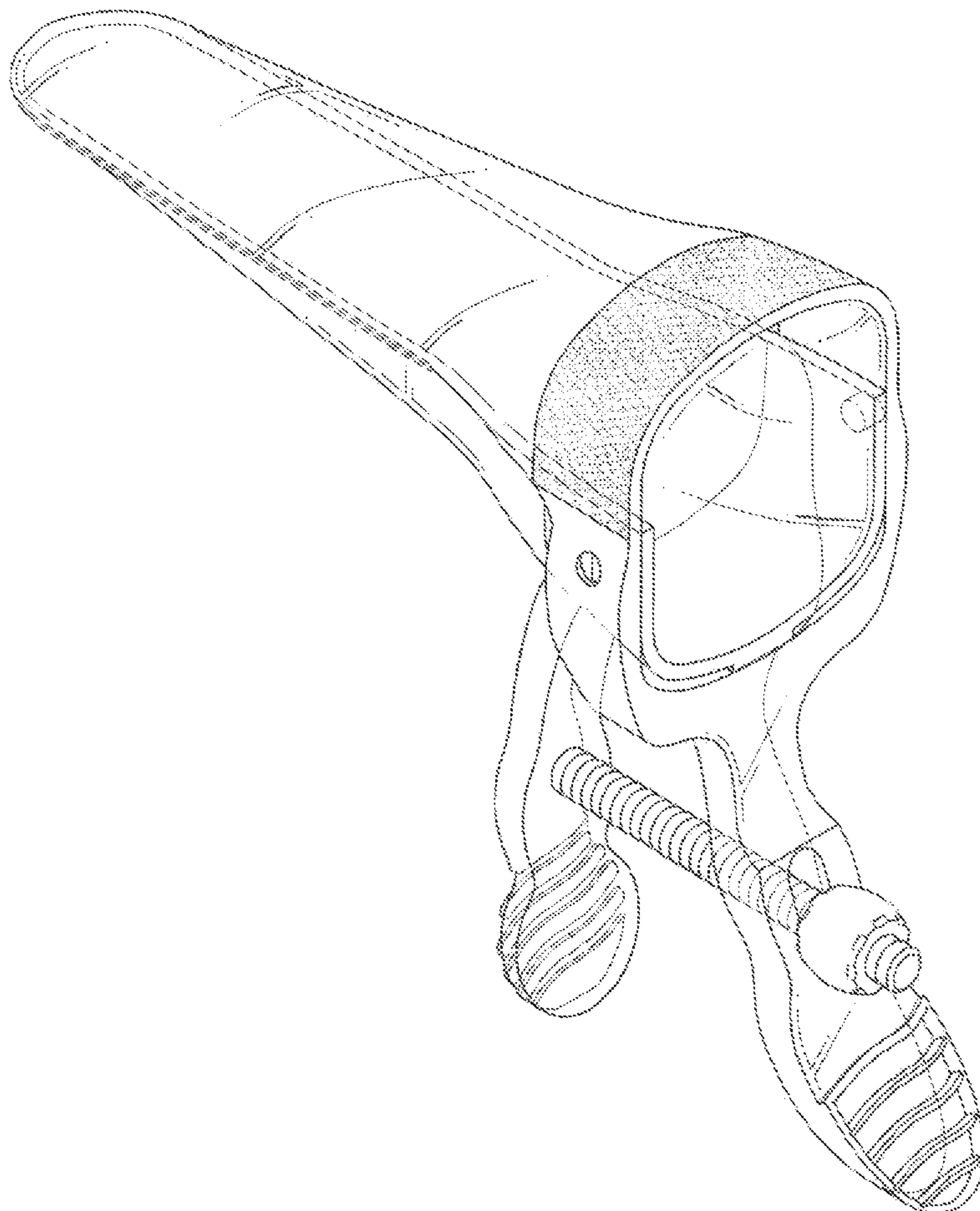
FIG. 4 is a left side view thereof;

FIG. 5 is a right side view thereof;

FIG. 6 is a top view thereof; and,

FIG. 7 is a bottom view thereof.

1 Claim, 6 Drawing Sheets



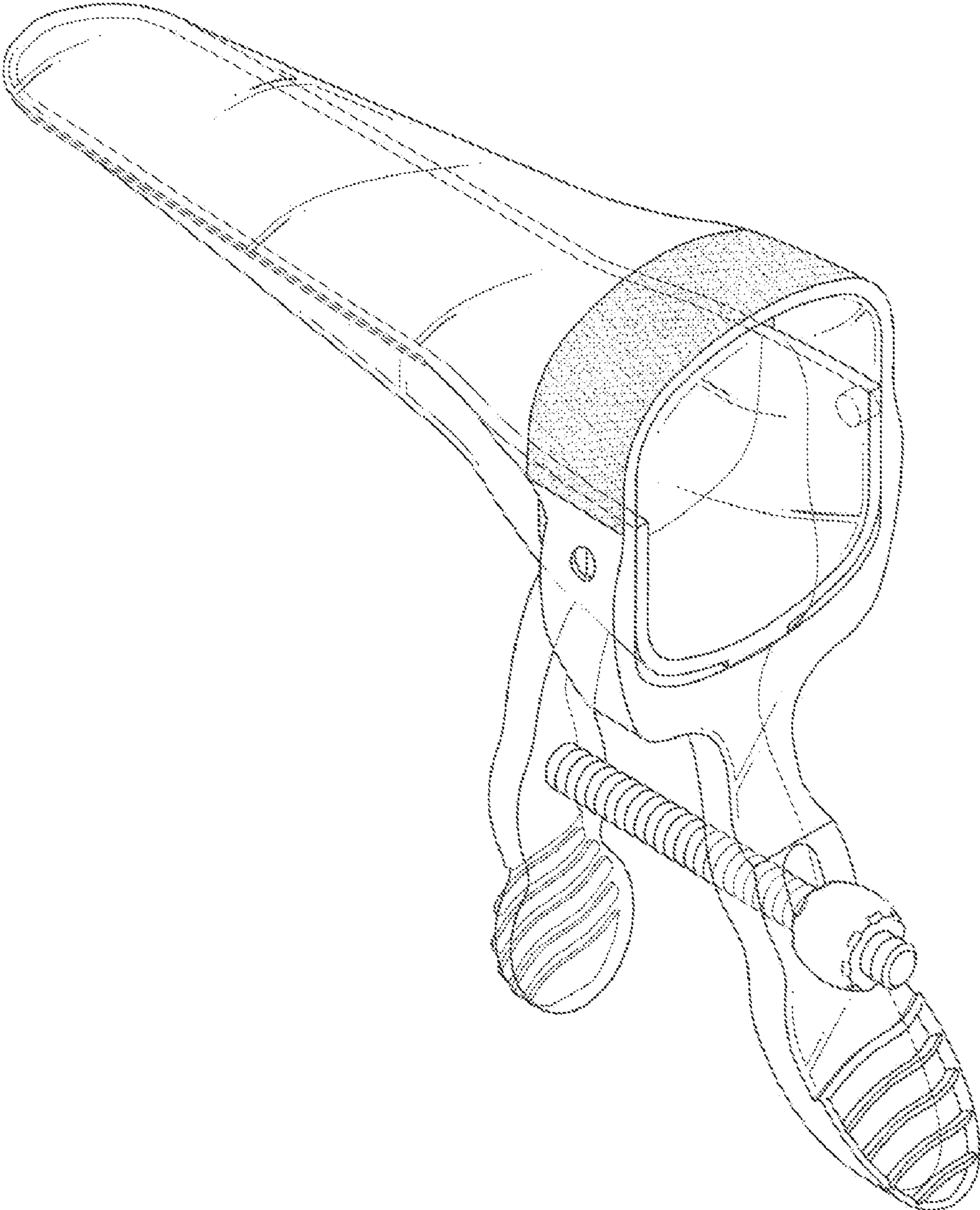


FIG. 1

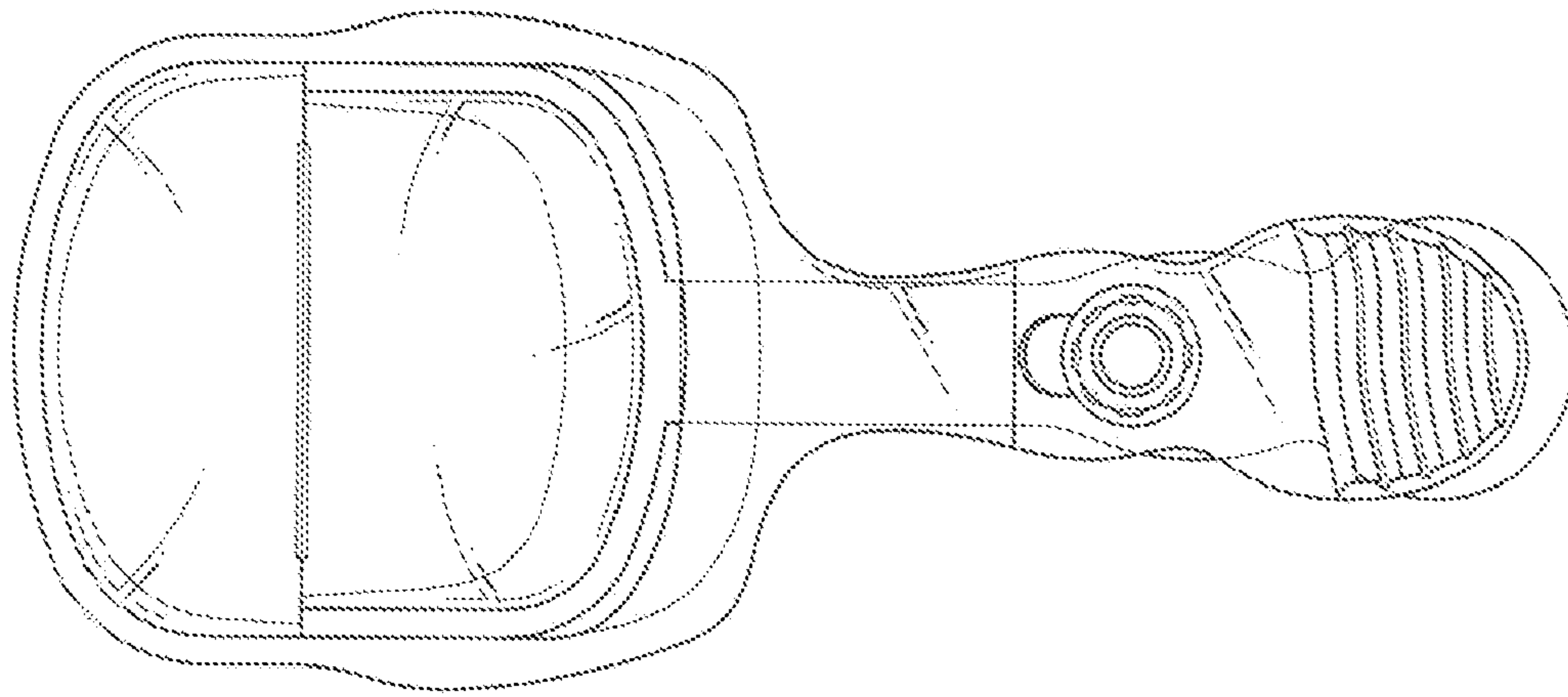


FIG. 3

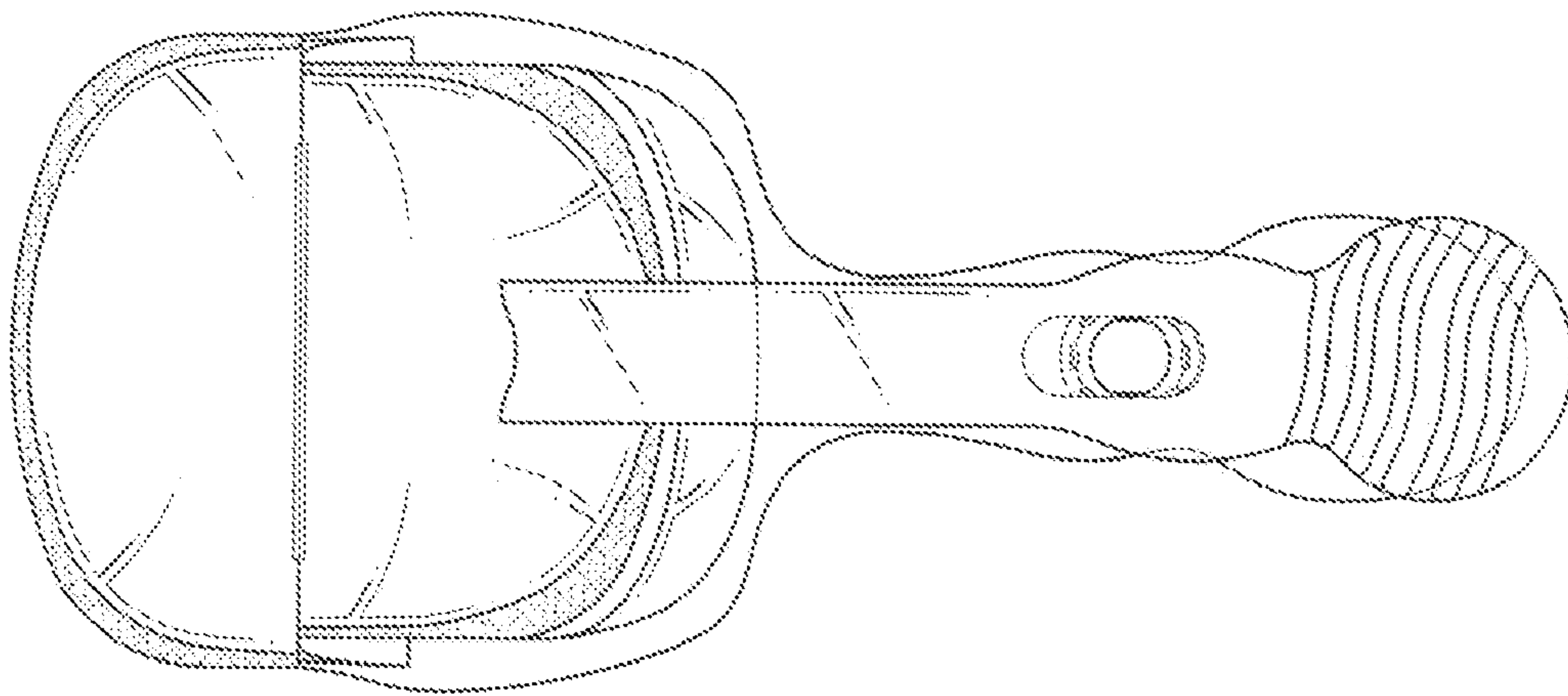


FIG. 2

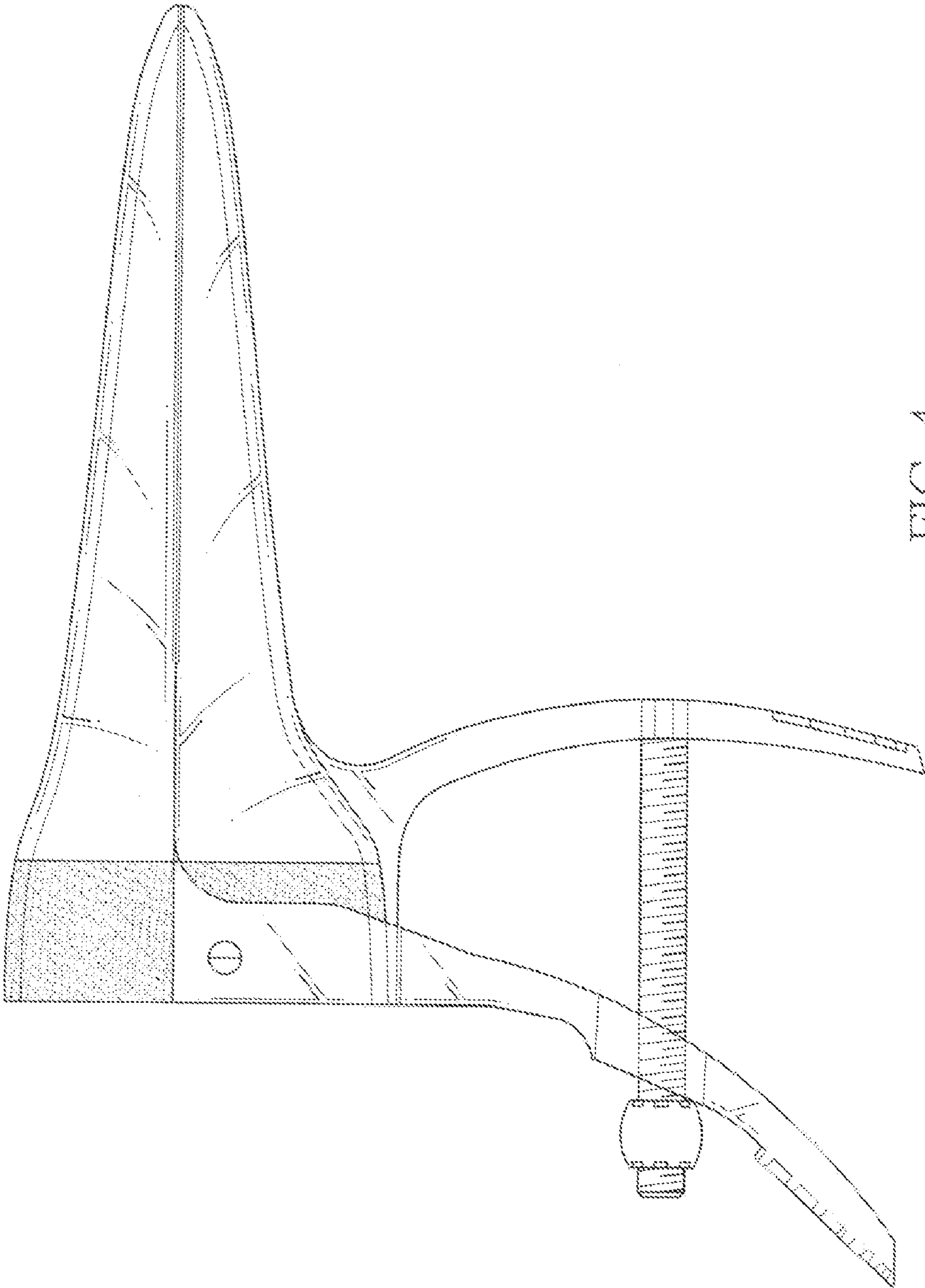


FIG. 4

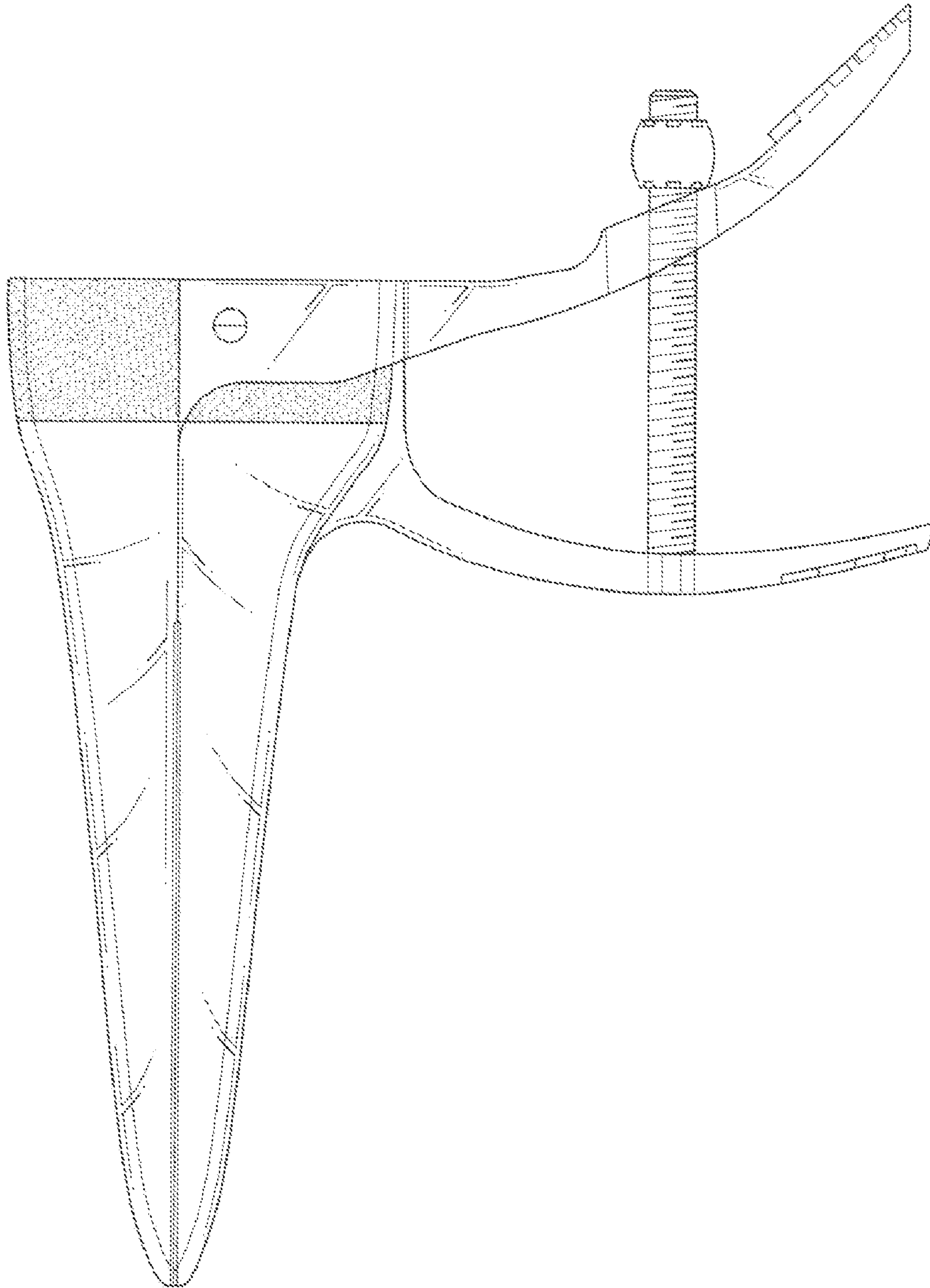


FIG. 5

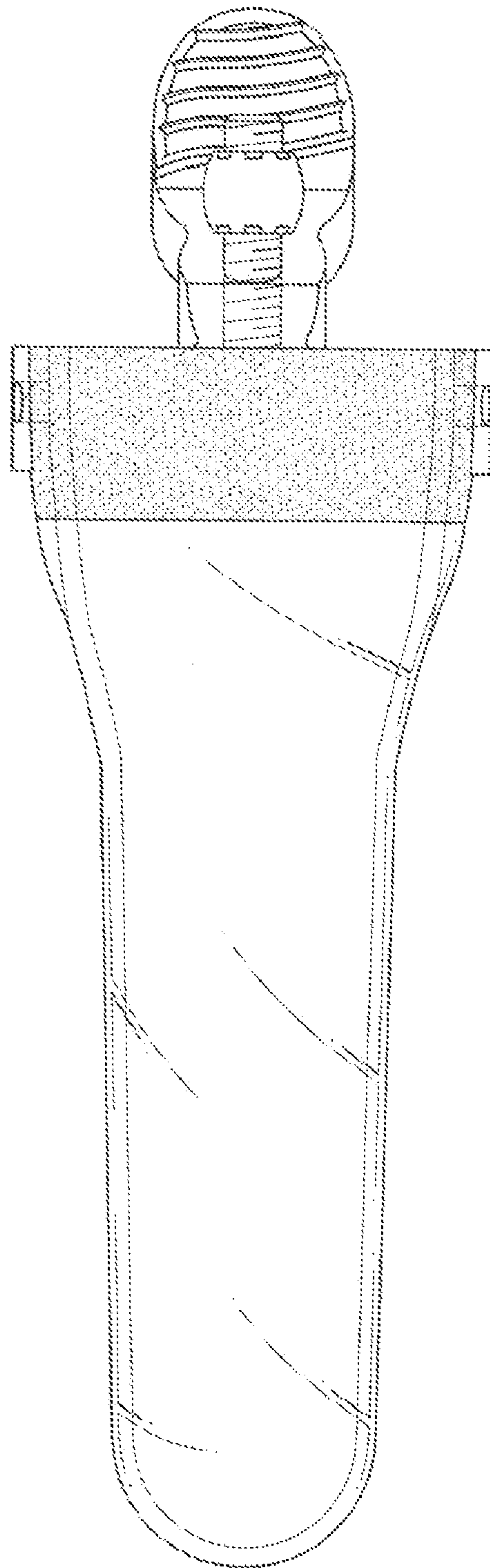


FIG. 6

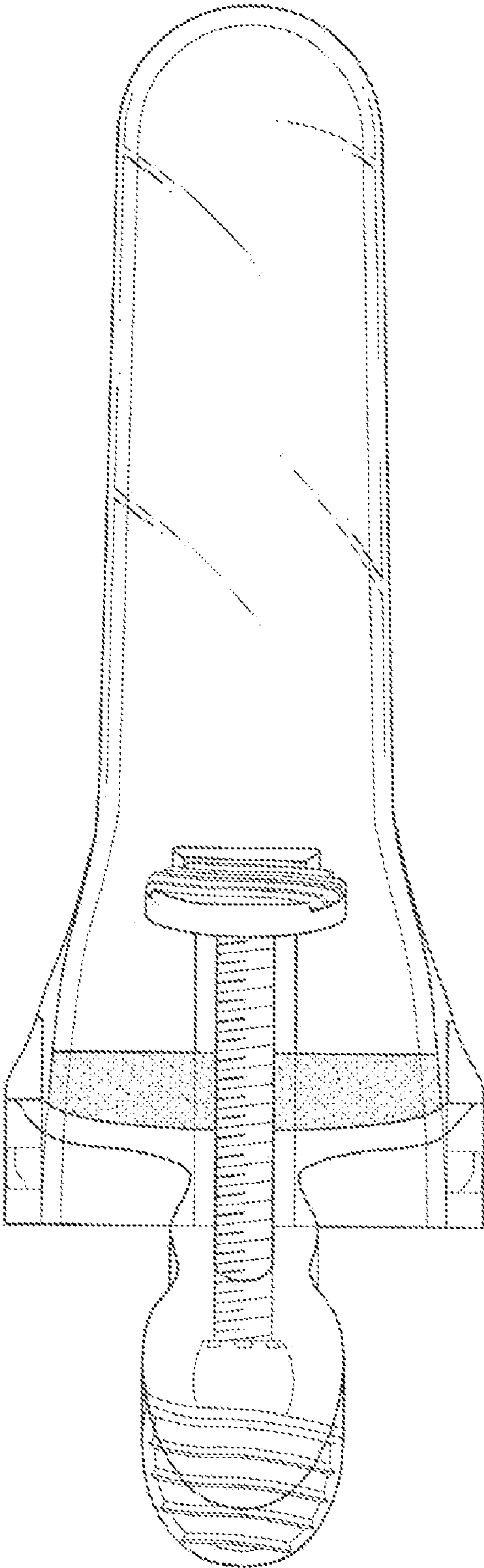


FIG. 7