



US00D578643S

(12) **United States Design Patent**  
**Shumer et al.**

(10) **Patent No.:** **US D578,643 S**  
(45) **Date of Patent:** **\*\* Oct. 14, 2008**

(54) **MEDICAL DEVICE DELIVERY HANDLE**

(75) Inventors: **Dan Shumer**, San Jose, CA (US); **Nie Tang**, San Jose, CA (US); **Sanjay Shrivastava**, Mountain View, CA (US); **Pete Lombrozo**, Scotts Valley, CA (US); **Josh Druker**, San Francisco, CA (US)

(73) Assignee: **Abbott Laboratories**, Abbott Park, IL (US)

(\*\*) Term: **14 Years**

(21) Appl. No.: **29/281,305**

(22) Filed: **Jun. 20, 2007**

(51) **LOC (8) Cl.** ..... **24-02**

(52) **U.S. Cl.** ..... **D24/133; D24/145; D24/147**

(58) **Field of Classification Search** ..... **D24/133, D24/145, 112, 130, 147; 600/131, 156; 604/118, 604/119; 606/108**

See application file for complete search history.

(56) **References Cited**

**U.S. PATENT DOCUMENTS**

- 4,624,243 A 11/1986 Lowery et al.
- 4,665,918 A 5/1987 Garza et al.
- 5,346,498 A 9/1994 Greelis et al.
- 5,391,172 A 2/1995 Williams et al.
- 5,501,654 A 3/1996 Failla et al.
- 5,507,768 A 4/1996 Lau et al.
- 5,571,168 A 11/1996 Del Toro
- 5,591,172 A 1/1997 Bachmann et al.
- 5,593,412 A 1/1997 Martinez et al.
- 5,683,451 A 11/1997 Lenker et al.
- D387,863 S \* 12/1997 Herman et al. .... D24/133
- 5,707,376 A 1/1998 Kavteladze et al.
- 5,733,267 A 3/1998 Del Toro
- 5,833,694 A 11/1998 Poncet
- 5,868,755 A 2/1999 Kanner et al.
- 5,906,649 A 5/1999 Genzel et al.
- 5,920,975 A 7/1999 Morales
- 5,944,727 A 8/1999 Ahari et al.
- 5,968,052 A 10/1999 Sullivan, III et al.

- 6,146,415 A 11/2000 Fitz
- 6,165,184 A 12/2000 Verdura et al.
- 6,183,443 B1 2/2001 Kratoska et al.
- 6,190,360 B1 2/2001 Iancea et al.
- D439,664 S \* 3/2001 Cuschieri et al. .... D24/133
- 6,203,550 B1 3/2001 Olson
- 6,238,402 B1 5/2001 Sullivan, III et al.
- 6,254,611 B1 7/2001 Vrba
- 6,391,050 B1 5/2002 Broome
- 6,391,051 B2 5/2002 Sullivan, III et al.
- 6,514,261 B1 2/2003 Randall et al.
- 6,520,983 B1 2/2003 Colgan et al.
- 6,527,779 B1 3/2003 Rourke
- 6,599,296 B1 7/2003 Gillick et al.
- 6,602,280 B2 8/2003 Chobotov
- 6,669,716 B1 12/2003 Gilson et al.
- 6,755,854 B2 6/2004 Gillick et al.
- 6,866,669 B2 3/2005 Buzzard et al.
- D509,589 S \* 9/2005 Wells ..... D24/145

(Continued)

*Primary Examiner*—Ian Simmons  
*Assistant Examiner*—Christopher Lee  
(74) *Attorney, Agent, or Firm*—Fulwider Patton LLP

(57) **CLAIM**

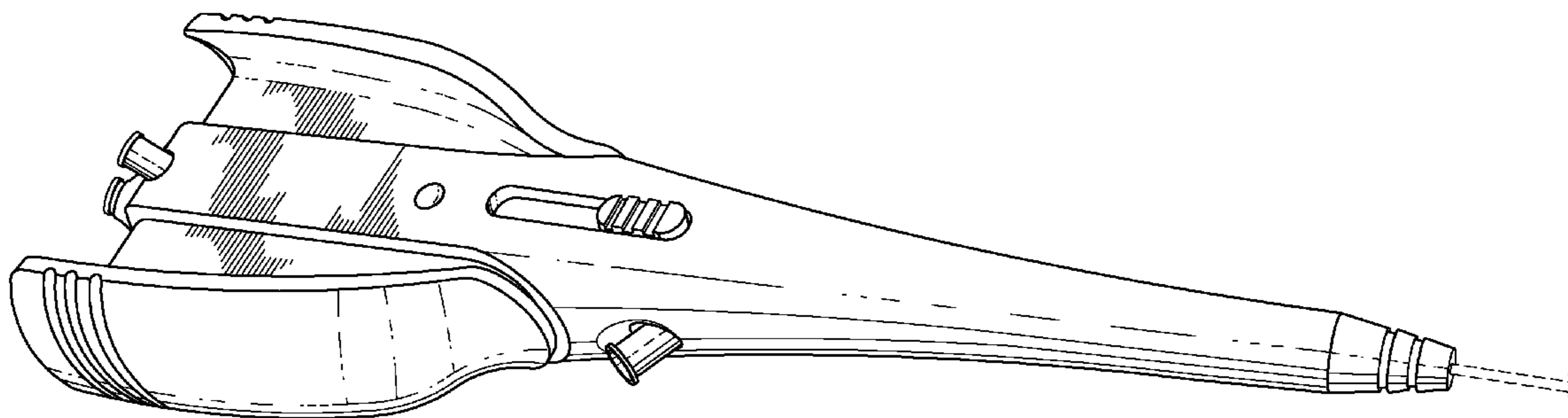
The ornamental design of a medical device delivery handle, as shown and described.

**DESCRIPTION**

FIG. 1 is a perspective view of a medical device delivery handle showing our new design;  
FIG. 2 is a side view thereof;  
FIG. 3 is another side view thereof;  
FIG. 4 is a top plan view thereof;  
FIG. 5 is a bottom plan view thereof;  
FIG. 6 is a front elevational view thereof; and,  
FIG. 7 is a rear elevational view thereof.

The portions of the article in broken lines are shown for illustrative purposes only and form no part of the claimed design.

**1 Claim, 5 Drawing Sheets**



# US D578,643 S

Page 2

---

## U.S. PATENT DOCUMENTS

6,939,352	B2	9/2005	Buzzard et al.		
D518,175	S *	3/2006	Hardin et al. ....	D24/133	
7,122,050	B2	10/2006	Randall et al.		
D533,274	S *	12/2006	Visconti et al. ....	D24/133	
D536,784	S *	2/2007	Bacher et al. ....	D24/133	
D553,242	S *	10/2007	Fedenia et al. ....	D24/108	
2003/0144671	A1	7/2003	Brooks et al.		
					2004/0006380 A1 1/2004 Back et al.
					2004/0117000 A1 6/2004 Ruetsch
					2004/0148009 A1 7/2004 Buzzard et al.
					2005/0060016 A1 3/2005 Wu et al.
					2005/0273151 A1 12/2005 Fulkerson et al.
					2006/0074477 A1 4/2006 Berthiaume et al.
					2007/0032860 A1 2/2007 Brooks et al.

\* cited by examiner

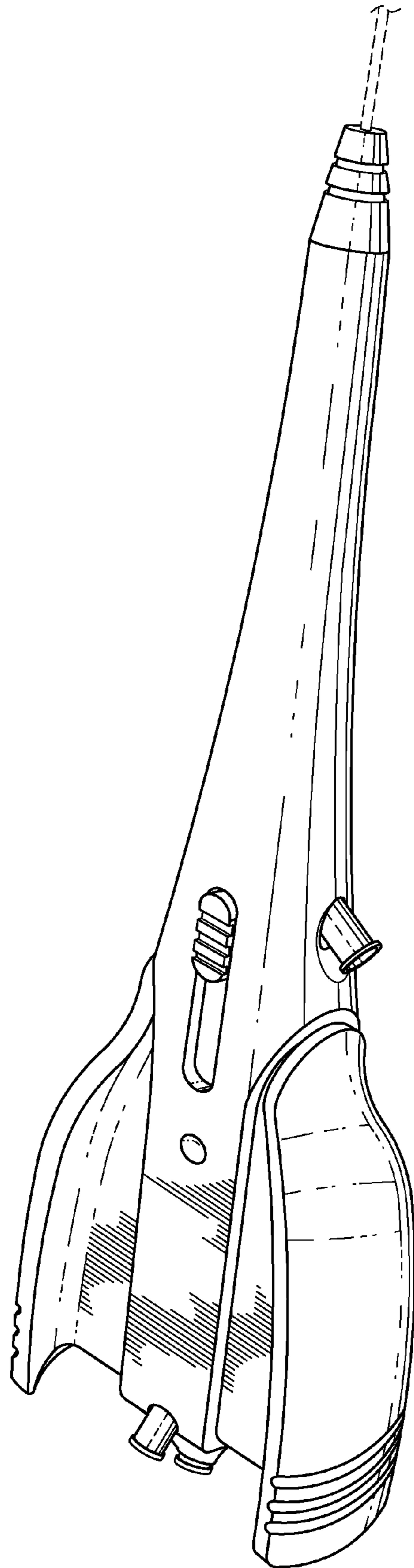


FIG. 1

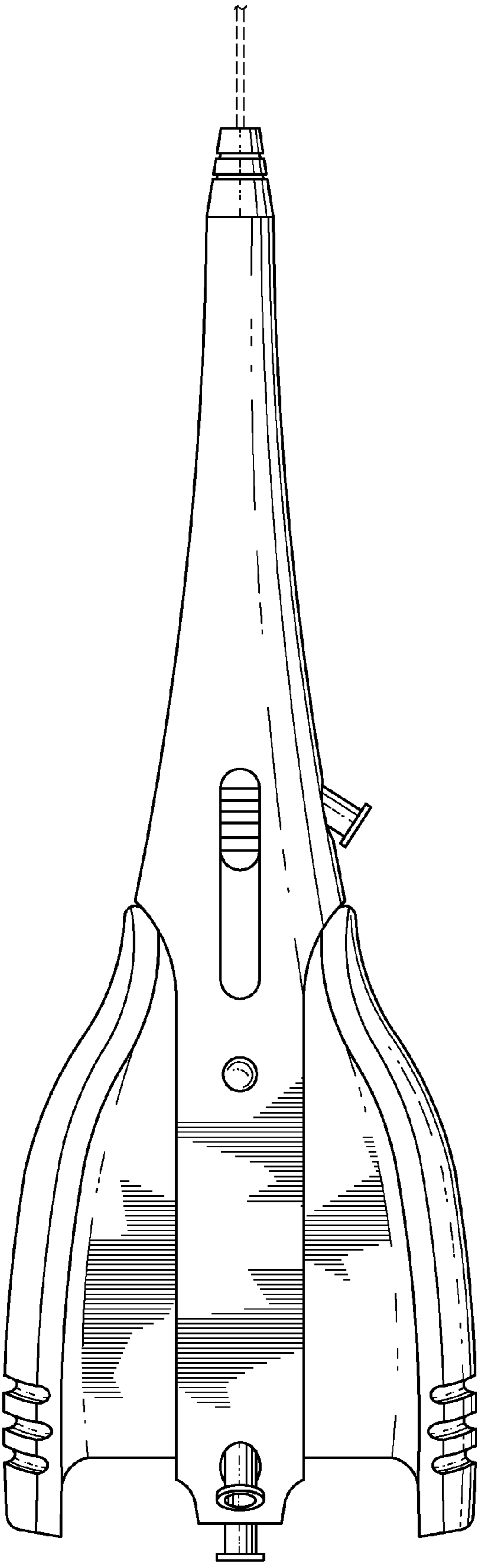


FIG. 2

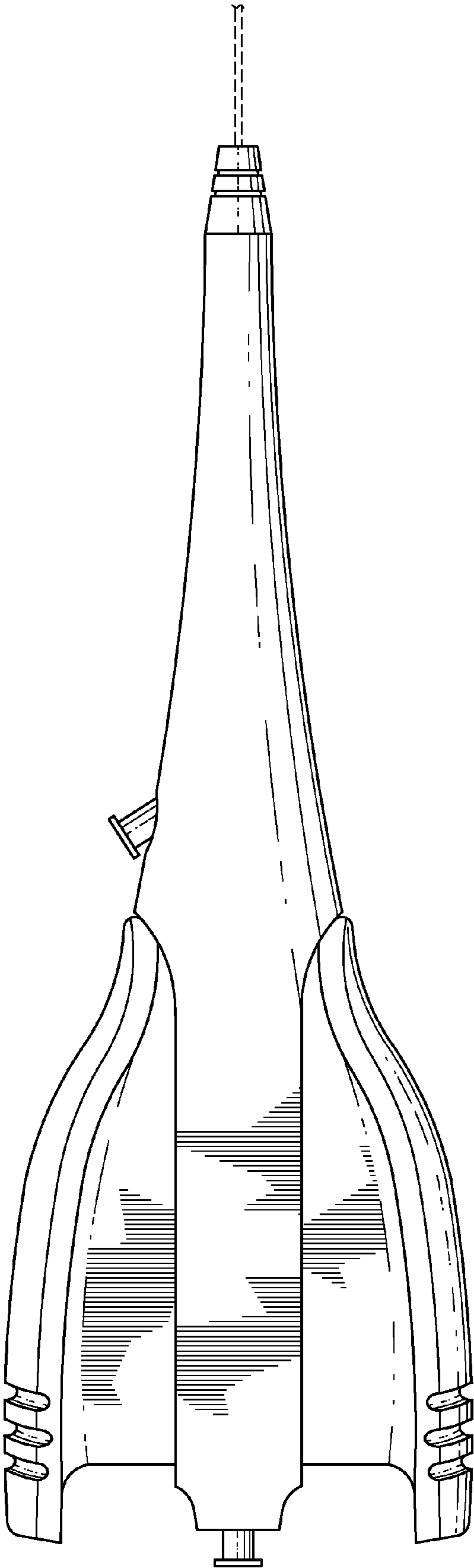


FIG. 3

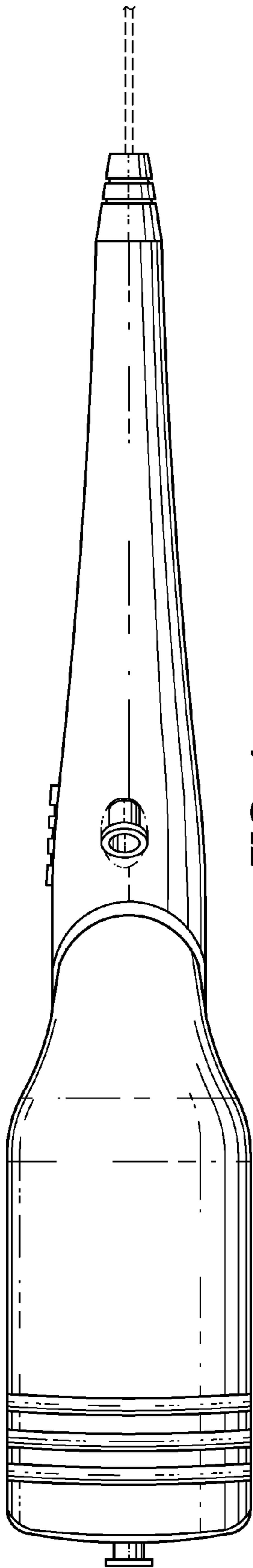


FIG. 4

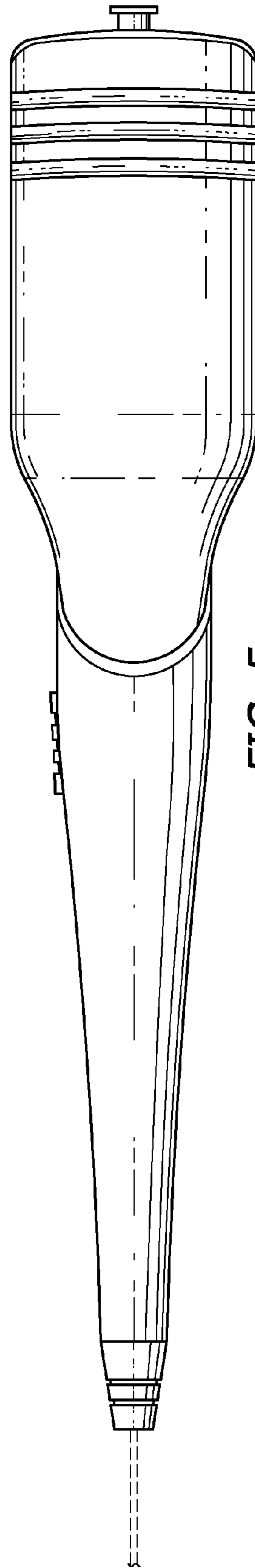
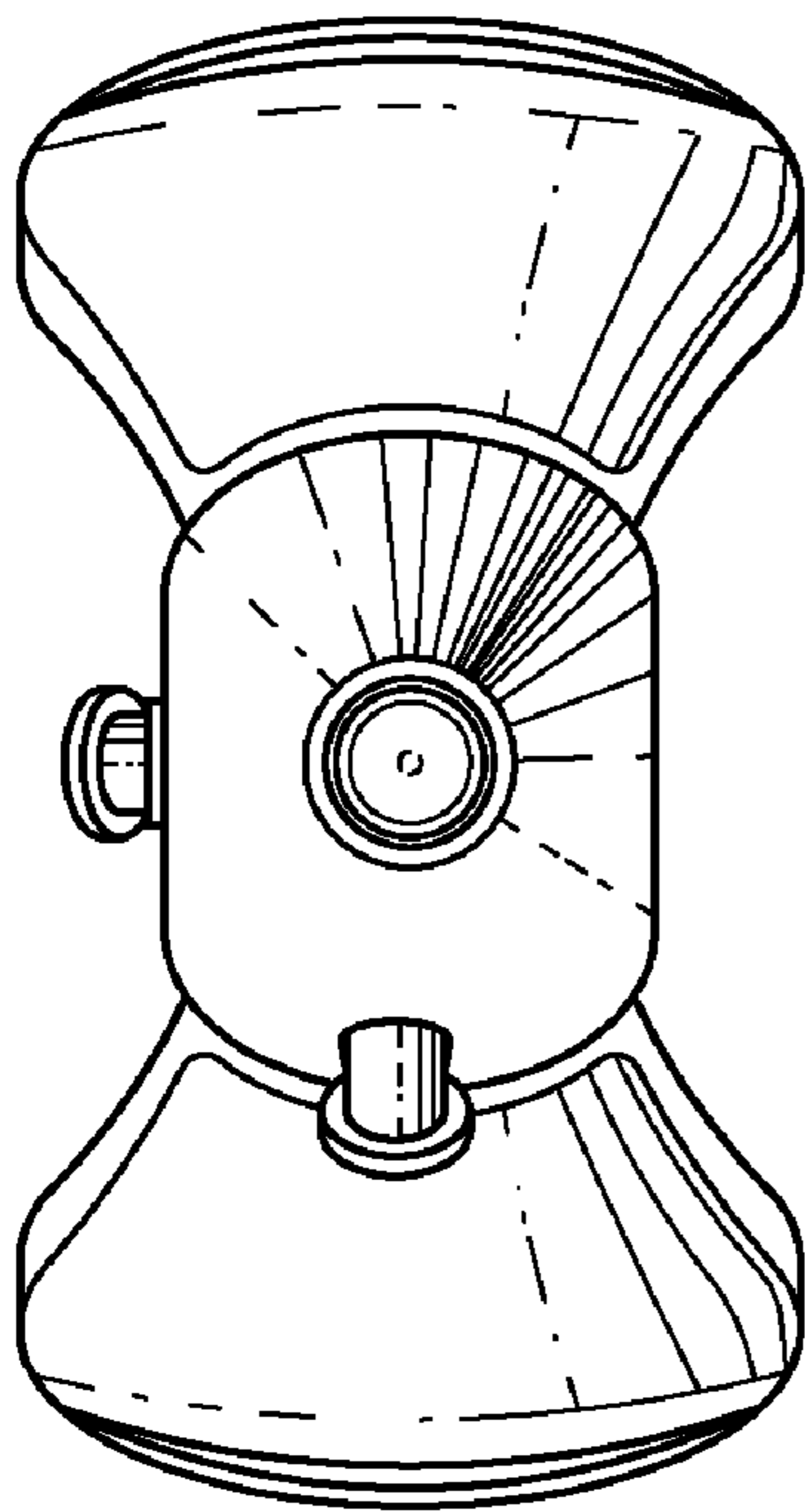
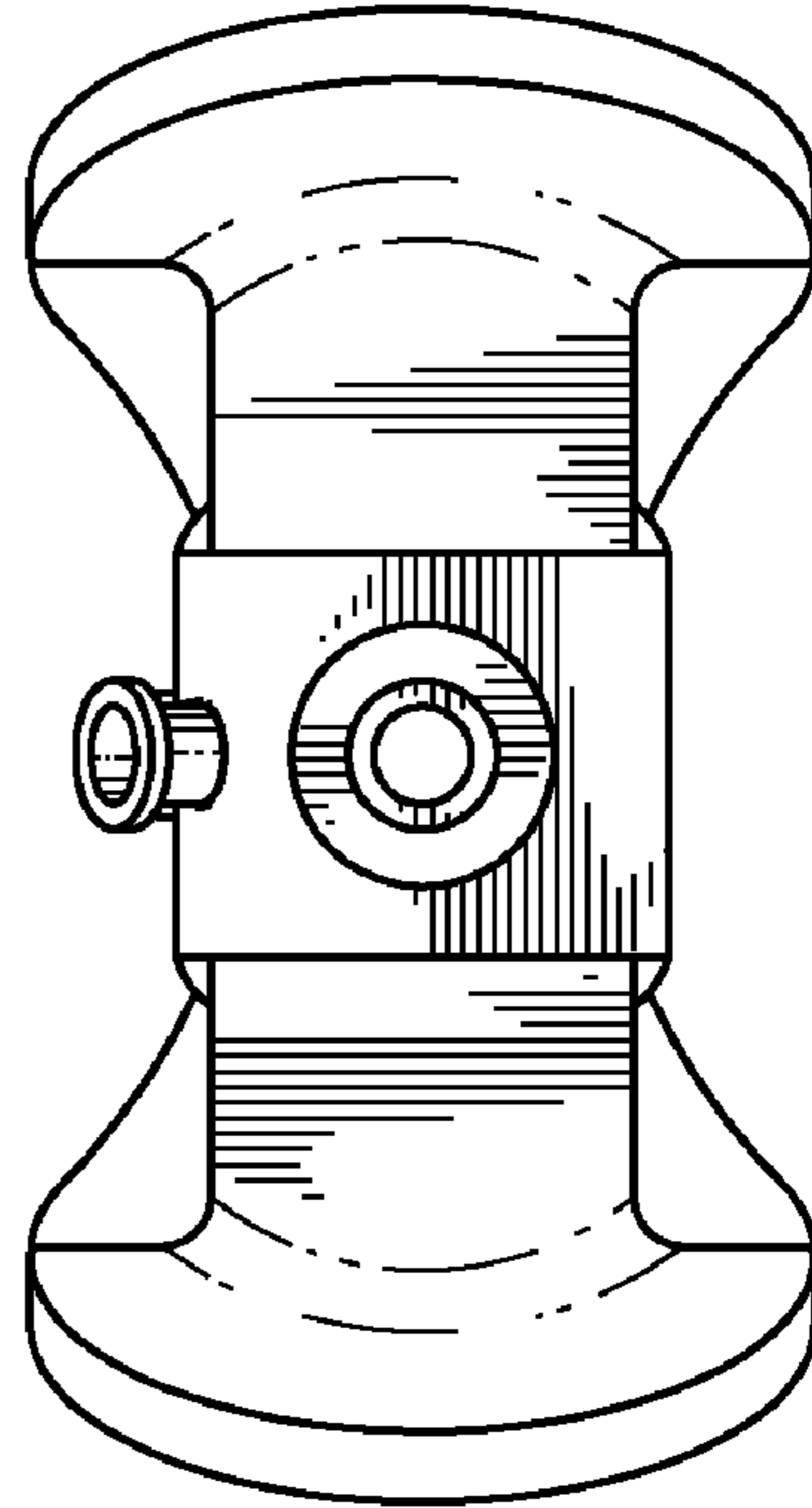


FIG. 5



*FIG. 6*



*FIG. 7*