

US00D578640S

(12) **United States Design Patent**
Ng et al.

(10) **Patent No.:** US D578,640 S
(45) **Date of Patent:** ** Oct. 14, 2008

(54) **PORTION OF A FOREHEAD SUPPORT FOR A RESPIRATORY MASK**

(75) Inventors: **Eva Ng**, Double Bay (AU); **Vincent Chu**, Little Bay (AU); **Scott Alexander Howard**, Harbord (AU)

(73) Assignee: **ResMed Limited**, Bella Vista (AU)

(**) Term: **14 Years**

(21) Appl. No.: **29/272,804**

(22) Filed: **Feb. 20, 2007**

Related U.S. Application Data

(63) Continuation of application No. 29/251,706, filed on Jan. 12, 2006, now Pat. No. Des. 558,332.

(51) **LOC (8) Cl.** **29-02**

(52) **U.S. Cl.** **D24/110.1; D24/110.4; D24/110.5**

(58) **Field of Classification Search** D24/110.1, D24/110.4, 110.5, 129; 128/204.18, 205.25, 128/206.21, 206.26, 206.27, 207.13, 207.17, 128/207.11

See application file for complete search history.

(56) **References Cited**

U.S. PATENT DOCUMENTS

D443,355 S	6/2001	Gunaratnam	
D486,227 S	2/2004	Fu et al.	
D502,260 S	2/2005	Lang	
7,000,614 B2	2/2006	Lang et al.	
D519,207 S	4/2006	Raje et al.	
D562,445 S *	2/2008	McAuliffe et al. D24/110.1
2004/0045551 A1	3/2004	Eaton	

2004/0118406 A1	6/2004	Lithgow et al.
2005/0022820 A1	2/2005	Kwok
2005/0072428 A1	4/2005	Ho
2005/0155603 A1	7/2005	Frerichs

FOREIGN PATENT DOCUMENTS

EP 1 205 205 A2 11/2001

OTHER PUBLICATIONS

Parent U.S. Appl. No. 29/251,706, filed Jan. 12, 2006.

* cited by examiner

Primary Examiner—Ian Simmons

Assistant Examiner—Christopher Lee

(74) *Attorney, Agent, or Firm*—Nixon & Vanderhye P.C.

(57) **CLAIM**

The ornamental design for a portion of a forehead support for a respiratory mask, as shown and described.

DESCRIPTION

FIG. 1 is a front perspective view of a portion of a forehead support for a respiratory mask according to our design;

FIG. 2 is a front view thereof;

FIG. 3 is a rear view thereof;

FIG. 4 is a left side view thereof;

FIG. 5 is a right side view thereof;

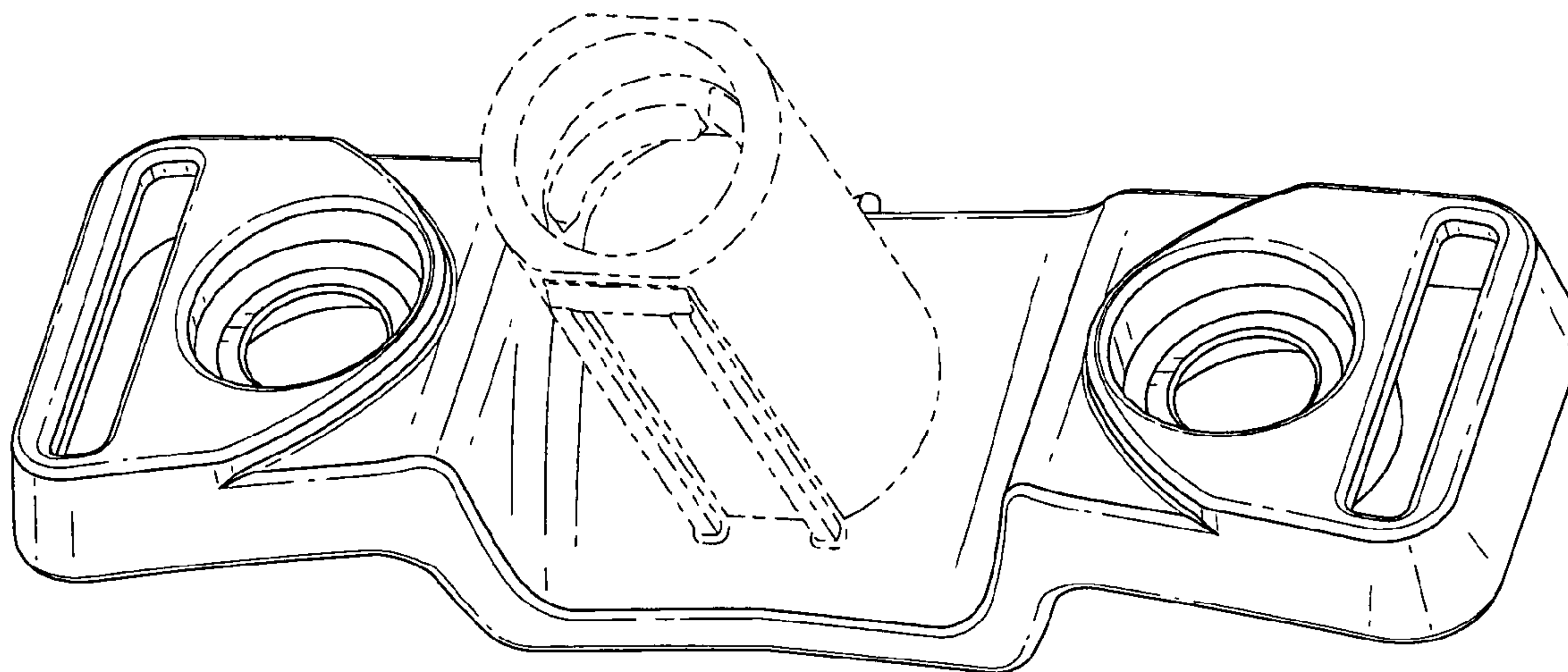
FIG. 6 is a top view thereof;

FIG. 7 is a bottom view thereof; and,

FIG. 8 is a rear perspective view thereof.

Where included, broken lines showing environment or structure are for illustrative purposes only and form no part of the claimed design.

1 Claim, 4 Drawing Sheets



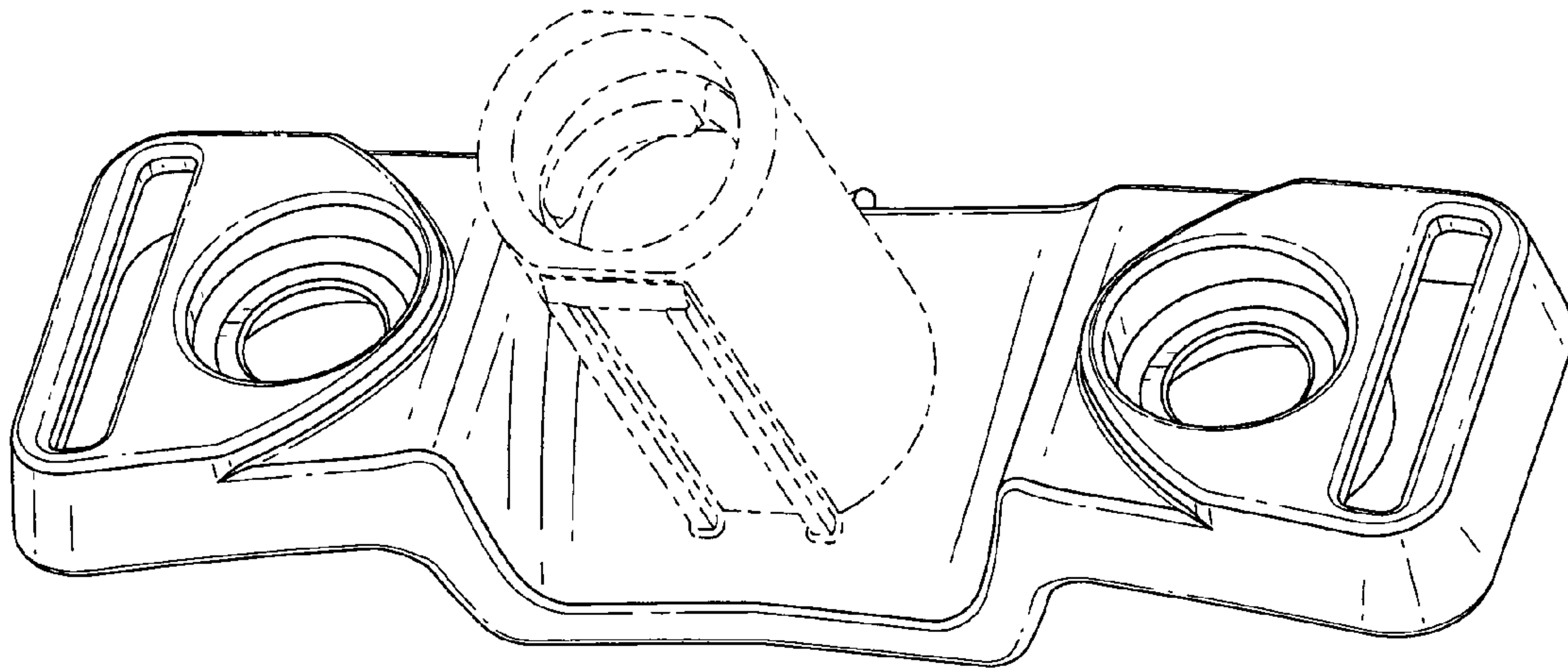


Fig. 1

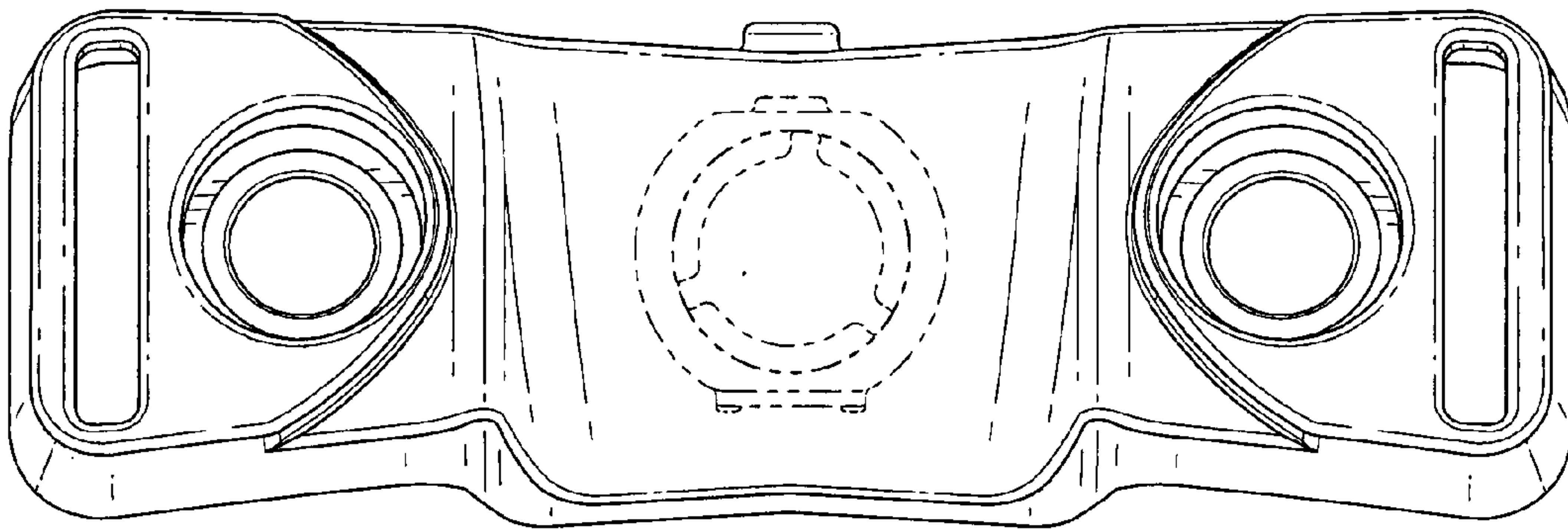


Fig. 2

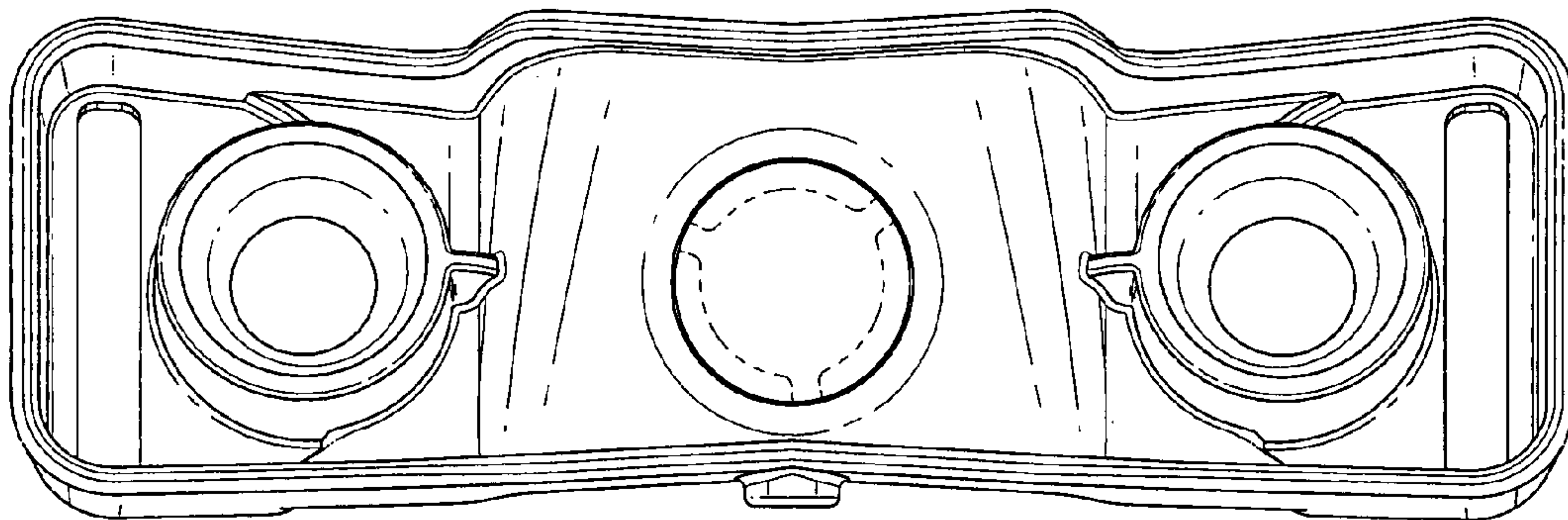


Fig. 3

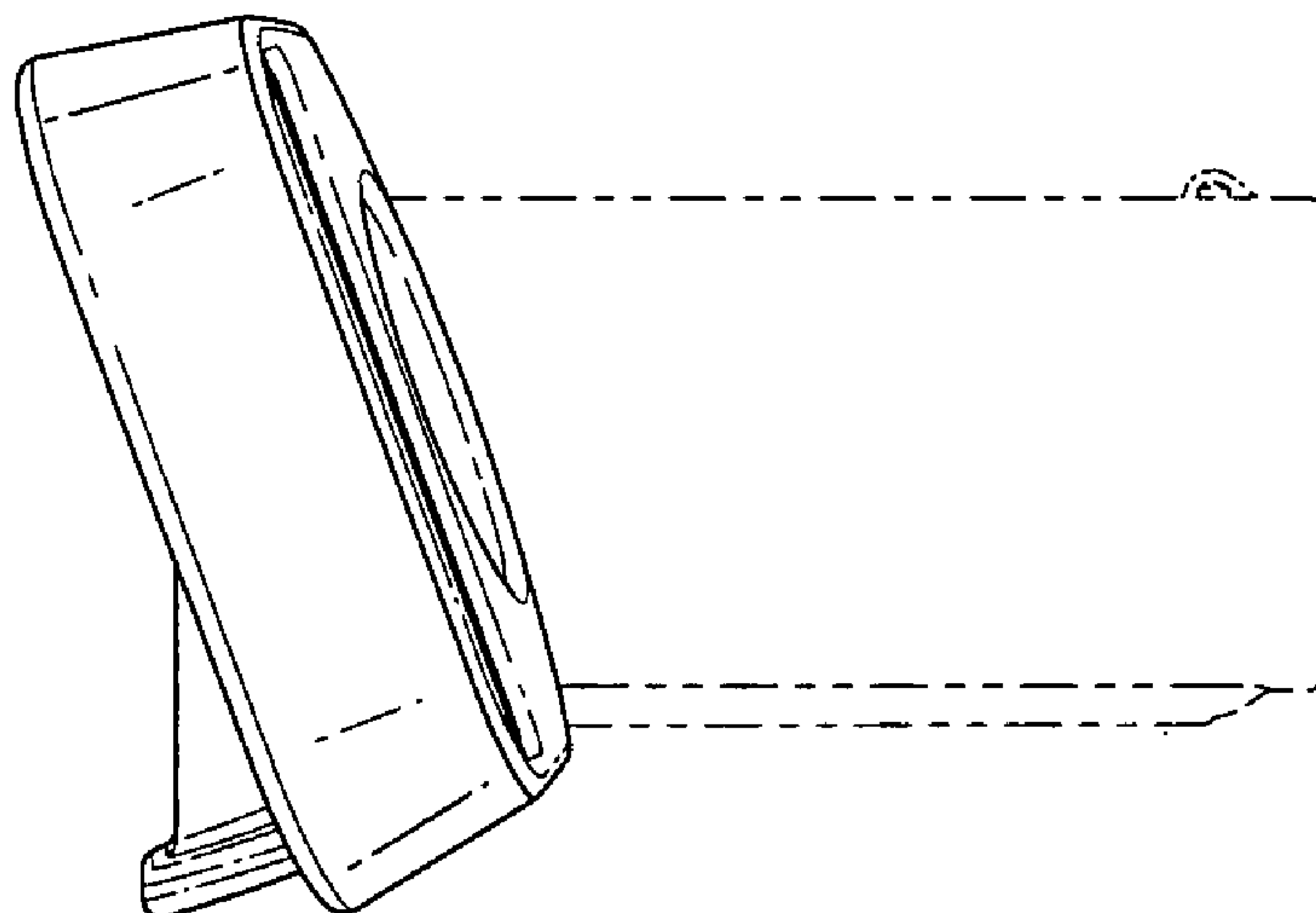


Fig. 4

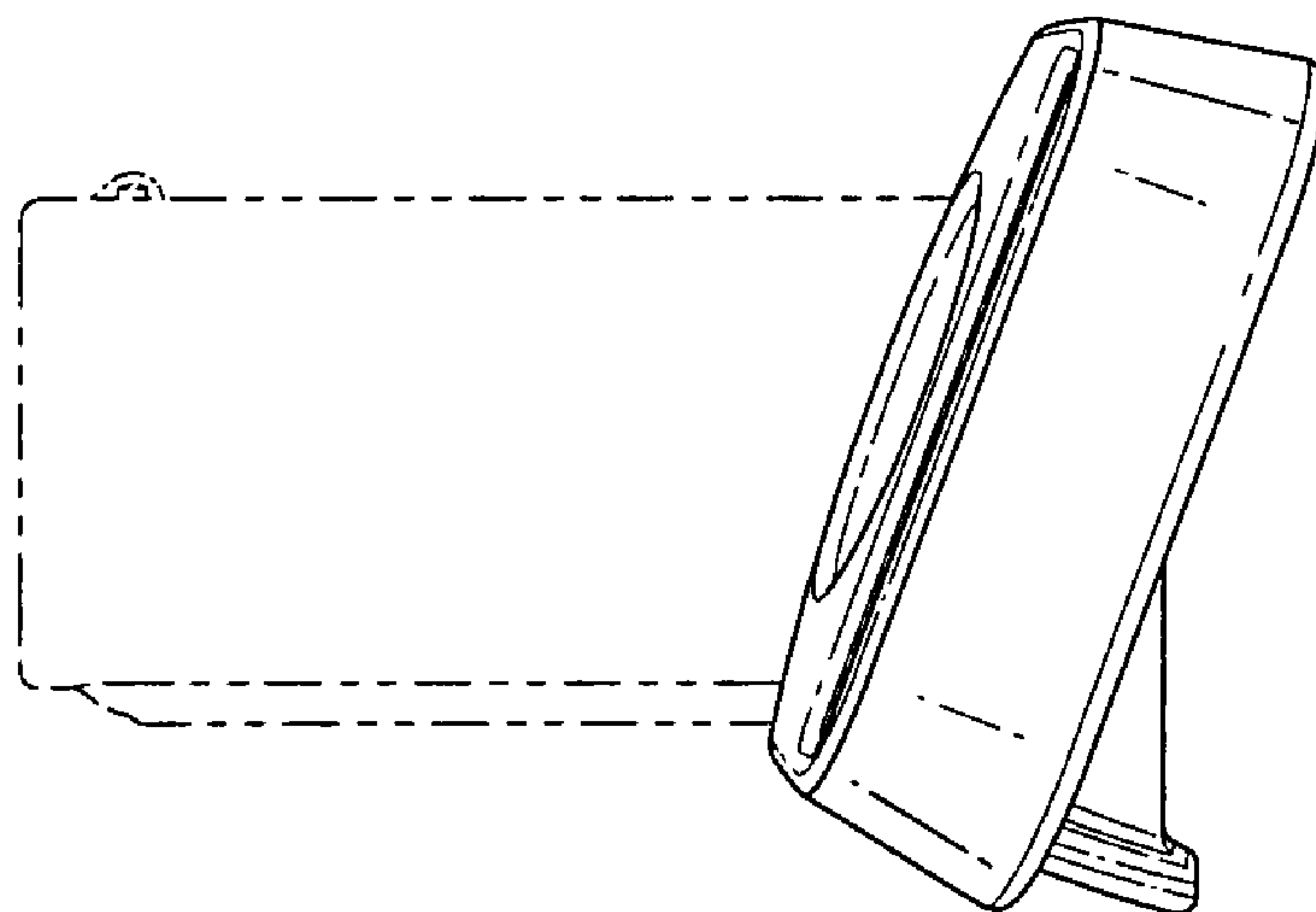


Fig. 5

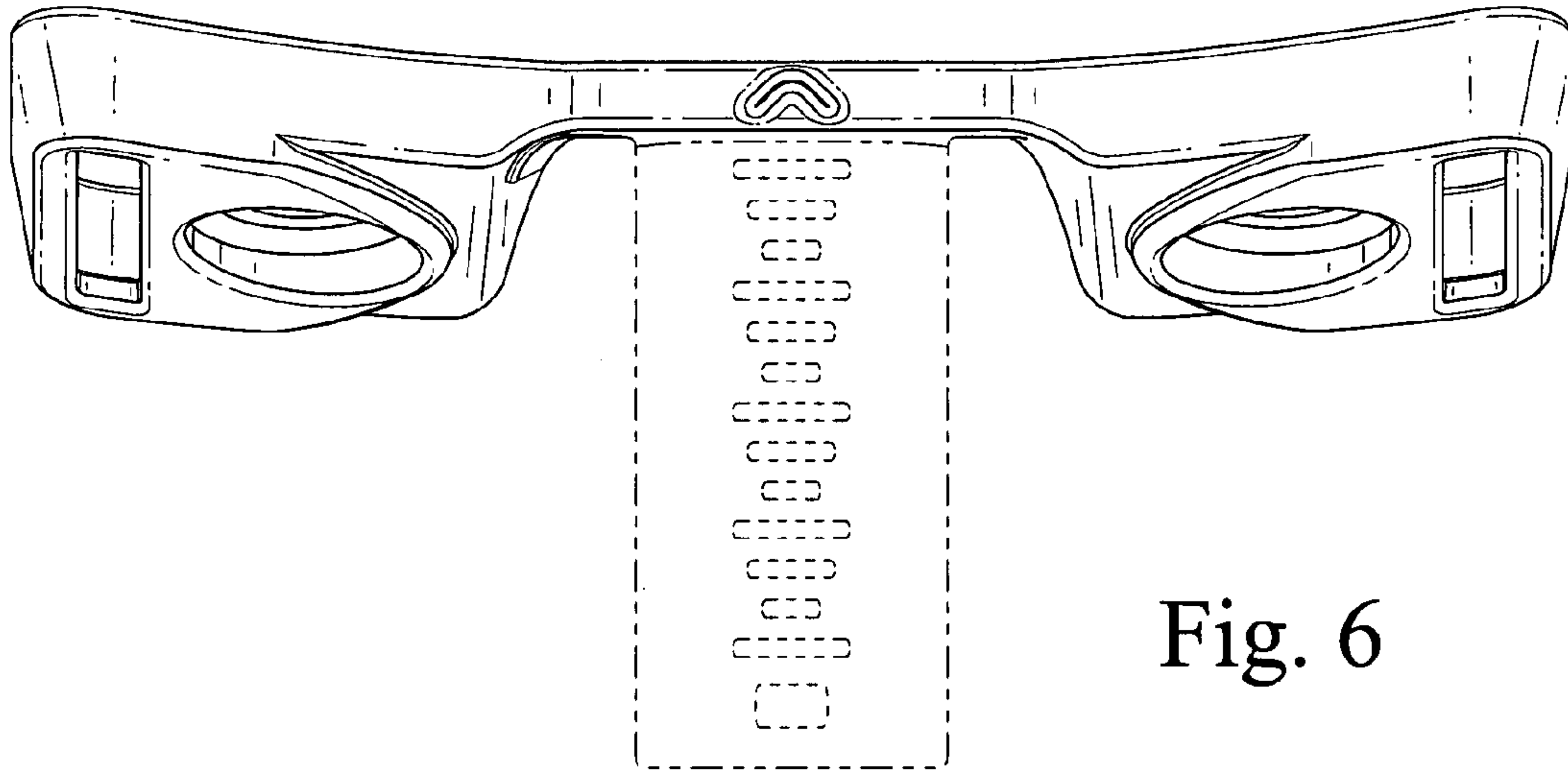


Fig. 6

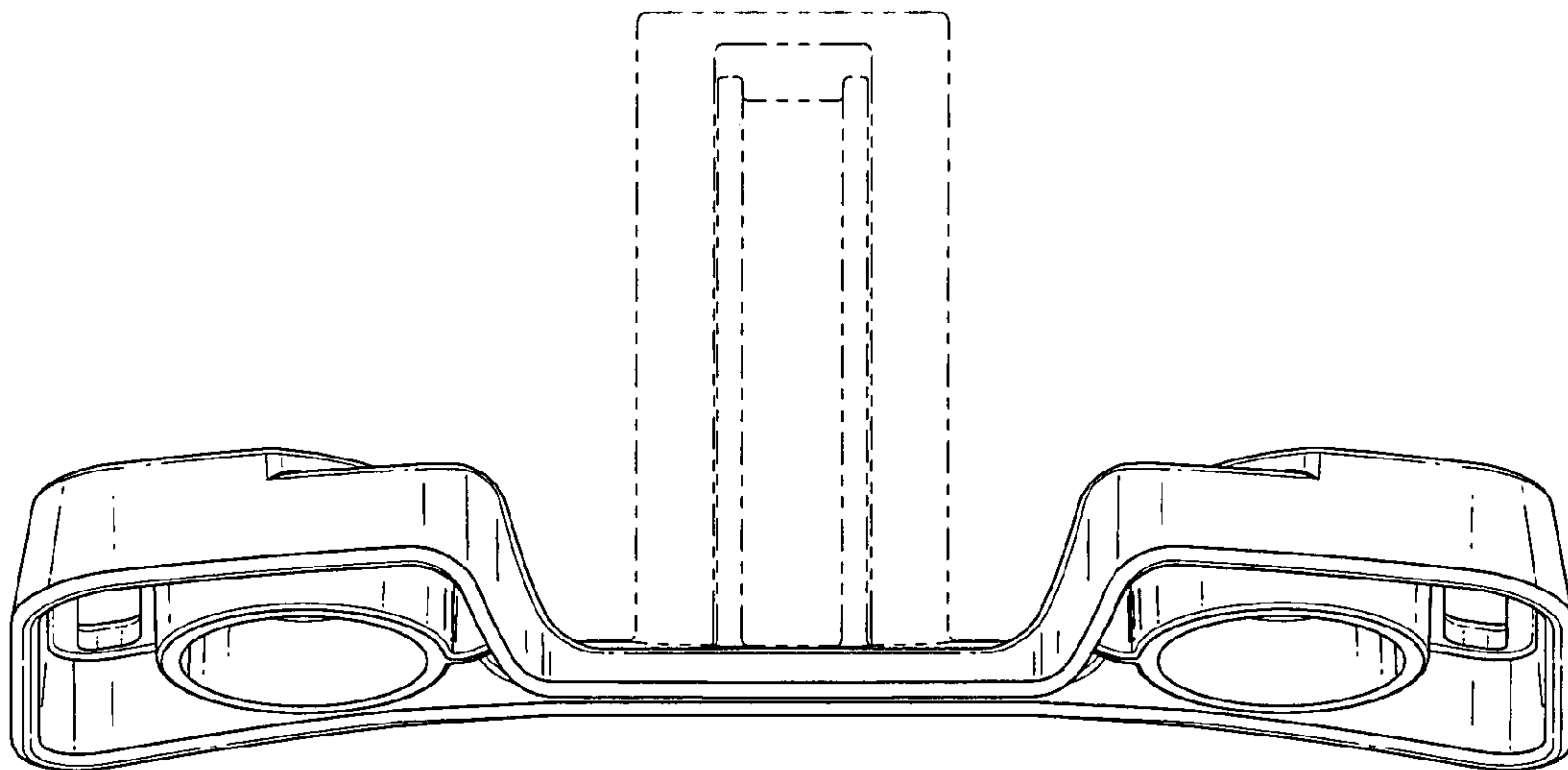


Fig. 7

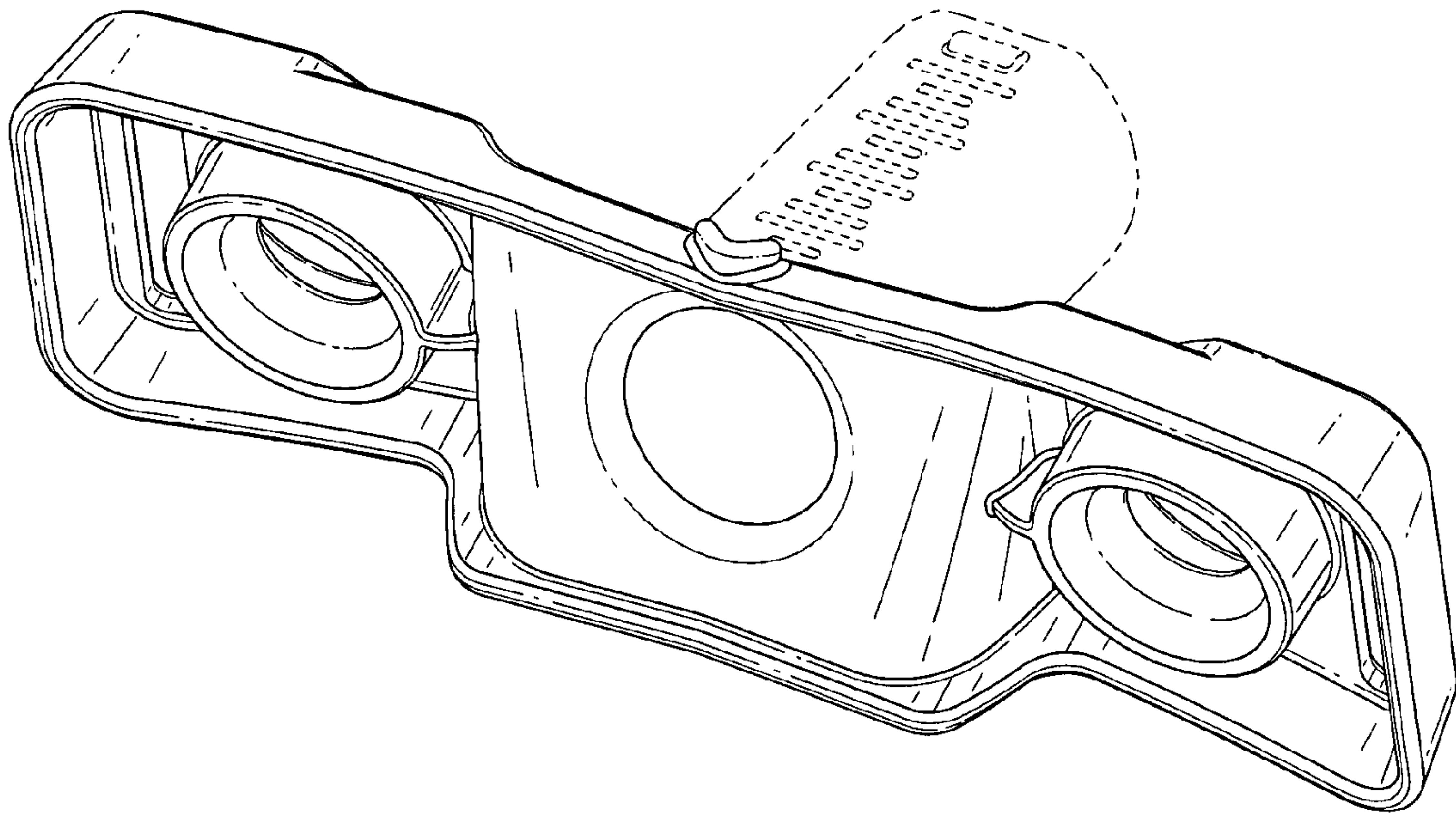


Fig. 8