



US00D578639S

(12) **United States Design Patent**
Falco

(10) **Patent No.:** **US D578,639 S**
(45) **Date of Patent:** **** Oct. 14, 2008**

- (54) **EARPLUG STEM**
- (75) Inventor: **Robert Falco**, Indianapolis, IN (US)
- (73) Assignee: **Cabot Safety Intermediate Corporation**, Newark, DE (US)
- (**) Term: **14 Years**
- (21) Appl. No.: **29/282,267**
- (22) Filed: **Jul. 16, 2007**

D478,658 S *	8/2003	Falco	D24/106
D535,644 S *	1/2007	Drambarean et al.	D14/223
D550,201 S *	9/2007	Drambarean et al.	D14/205
D550,655 S *	9/2007	Falco	D14/223
2006/0081415 A1 *	4/2006	Knauer et al.	181/135
2006/0162992 A1 *	7/2006	Seville	181/135

* cited by examiner

Primary Examiner—Ian Simmons
Assistant Examiner—Carissa C Fitts
(74) *Attorney, Agent, or Firm*—Cantor Colburn LLP

Related U.S. Application Data

- (62) Division of application No. 29/242,377, filed on Nov. 9, 2005, now Pat. No. Des. 550,655.

- (51) **LOC (8) Cl.** **24-04**
- (52) **U.S. Cl.** **D24/106**
- (58) **Field of Classification Search** D24/106;
181/129, 130, 131, 135; 128/857, 864, 865,
128/867, 868; 381/313, 359, 338; D14/223
See application file for complete search history.

(56) **References Cited**

U.S. PATENT DOCUMENTS

D413,379 S *	8/1999	Leight	D24/106
6,006,857 A *	12/1999	Leight et al.	181/135

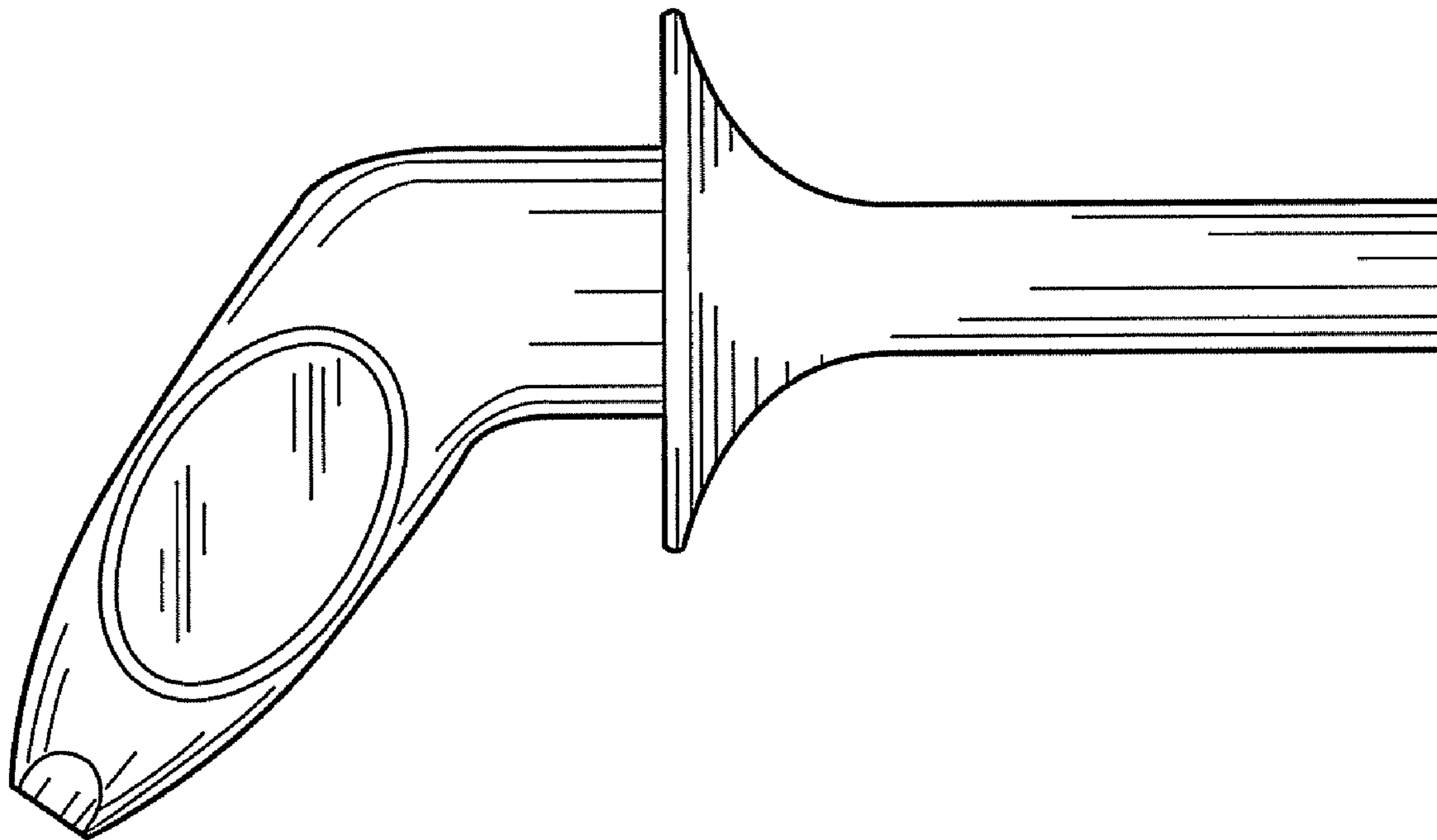
(57) **CLAIM**

I claim, the ornamental design for an earplug stem, as shown and described.

DESCRIPTION

FIG. 1 is a side elevation view of an earplug stem, showing my new design;
FIG. 2 is a top plan view thereof;
FIG. 3 is a bottom plan view thereof;
FIG. 4 is a rear elevation view thereof;
FIG. 5 is a front elevation view thereof; and,
FIG. 6 is a rear perspective view thereof.

1 Claim, 6 Drawing Sheets



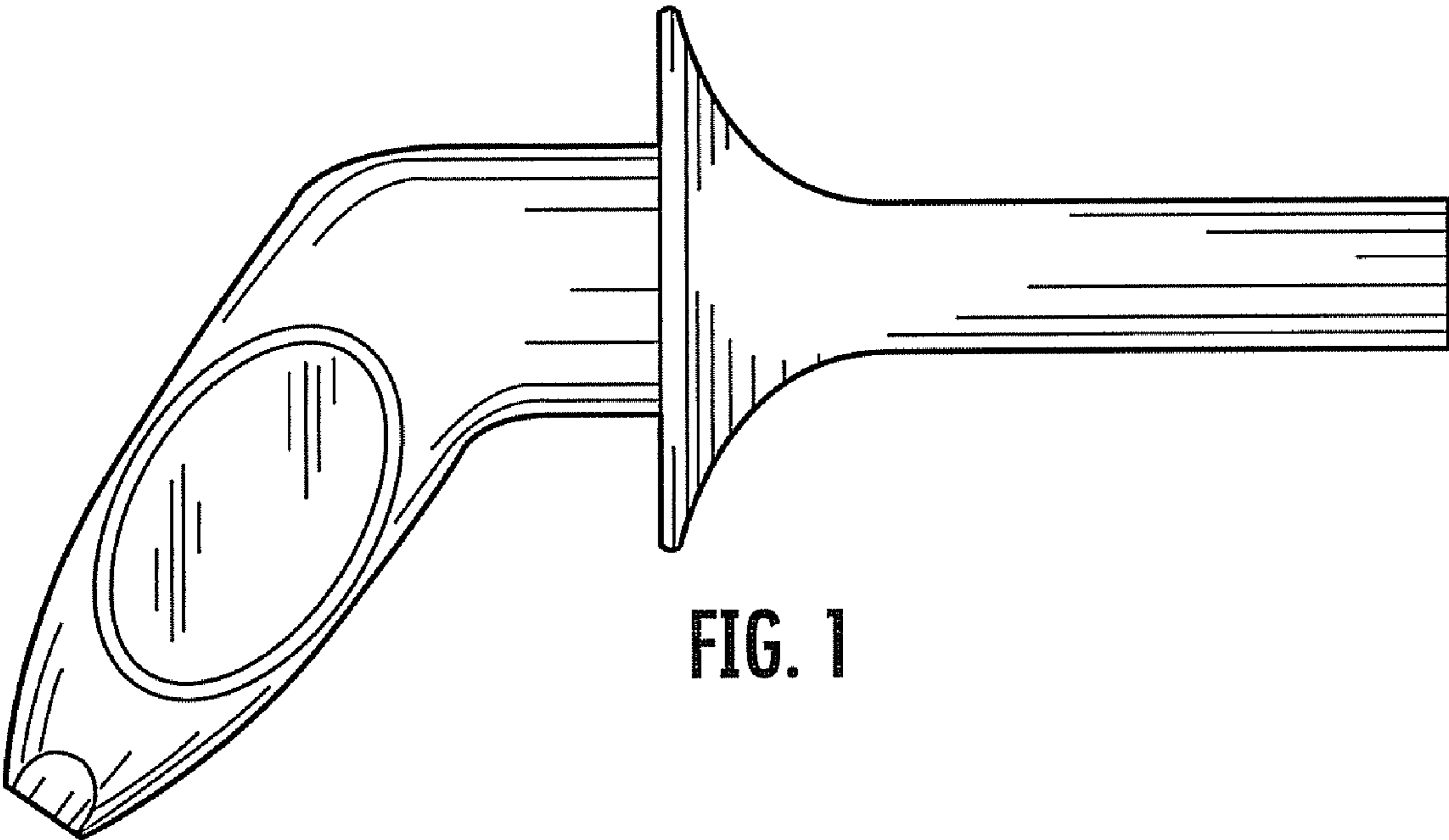


FIG. 1

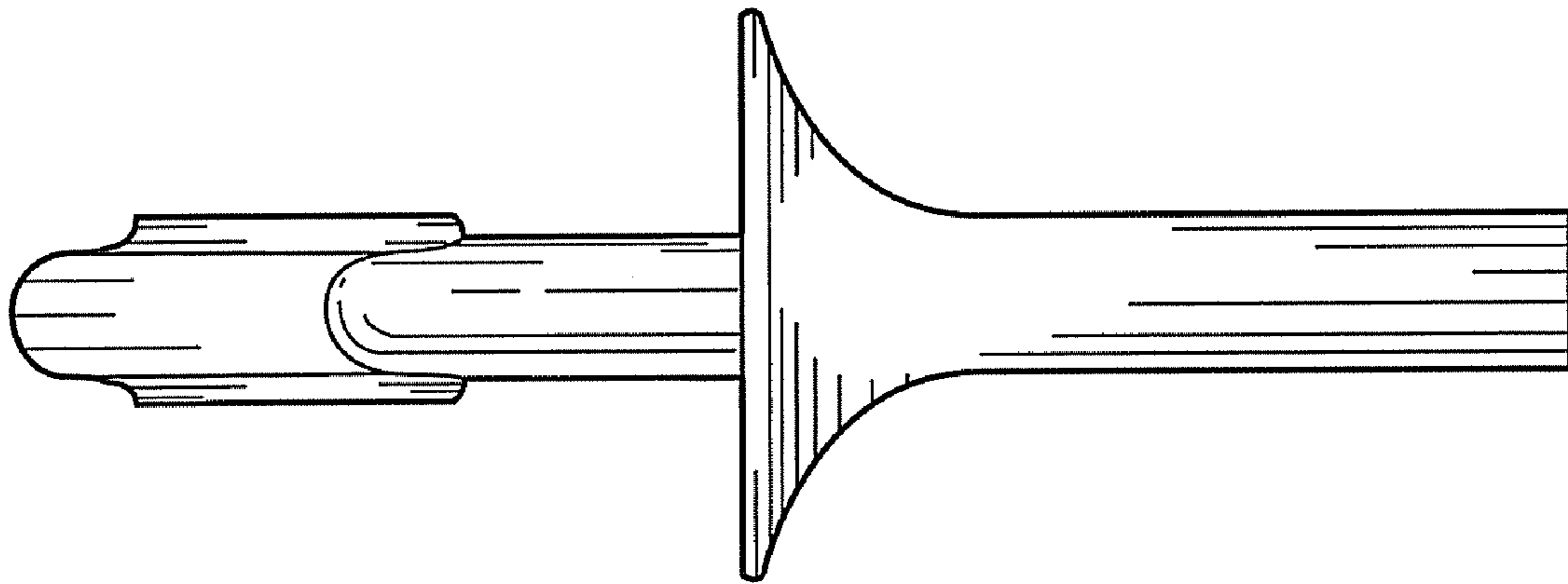


FIG. 2

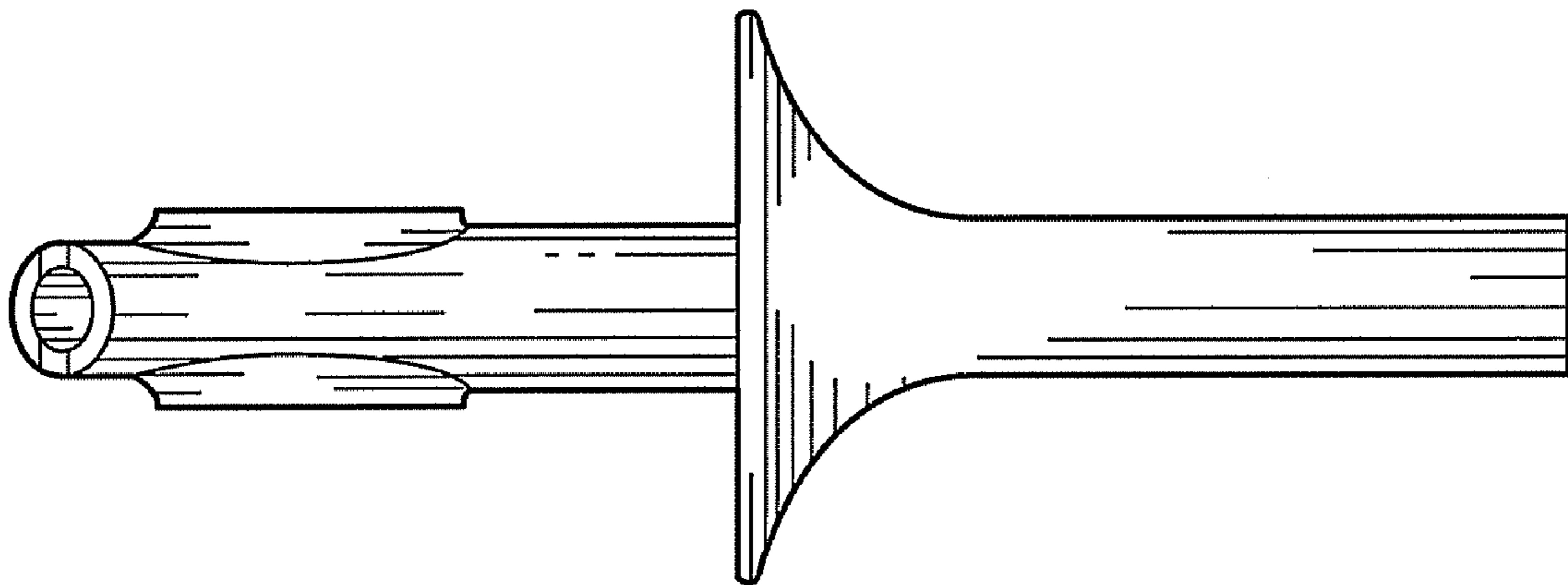


FIG. 3

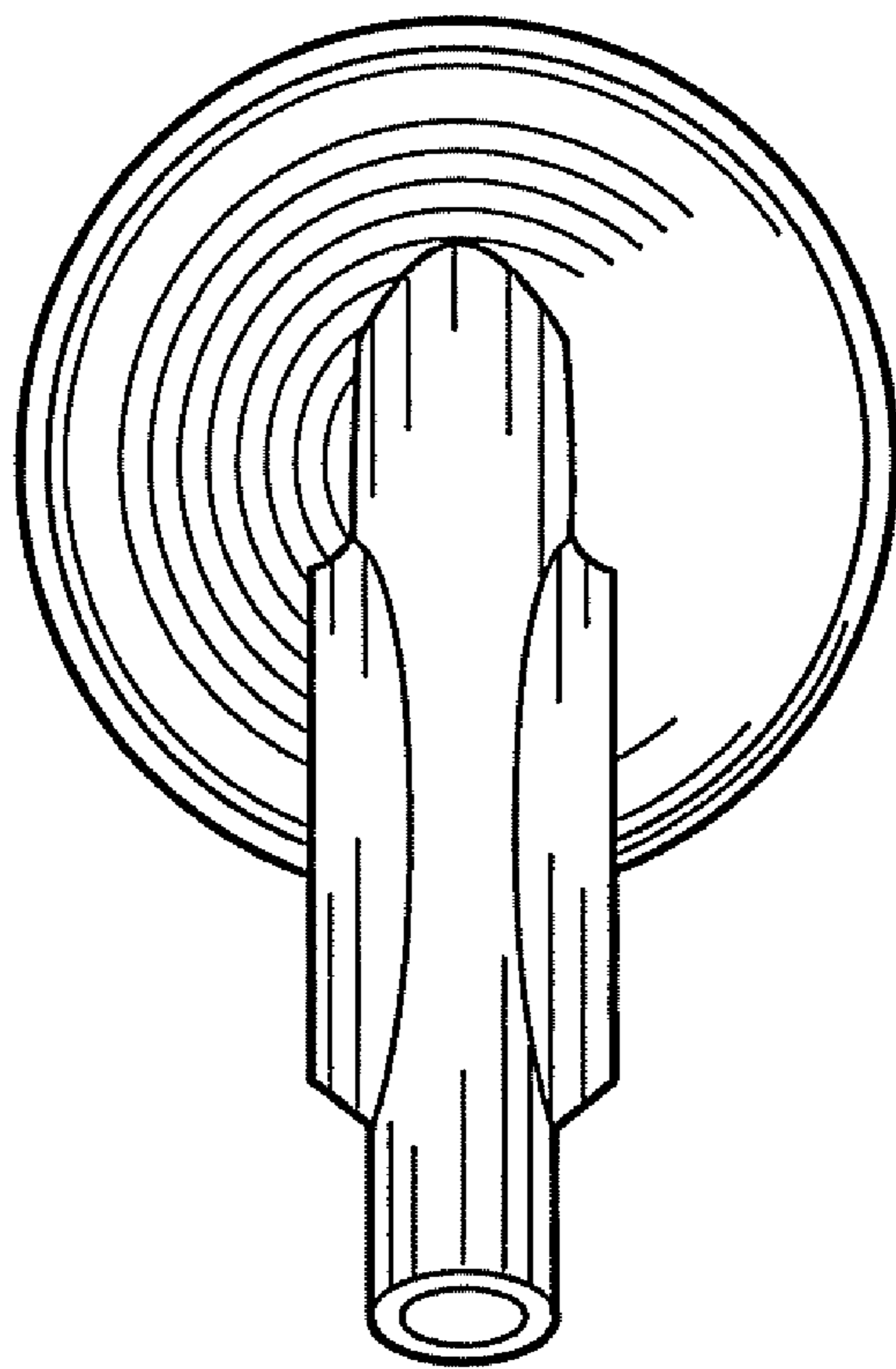


FIG. 4

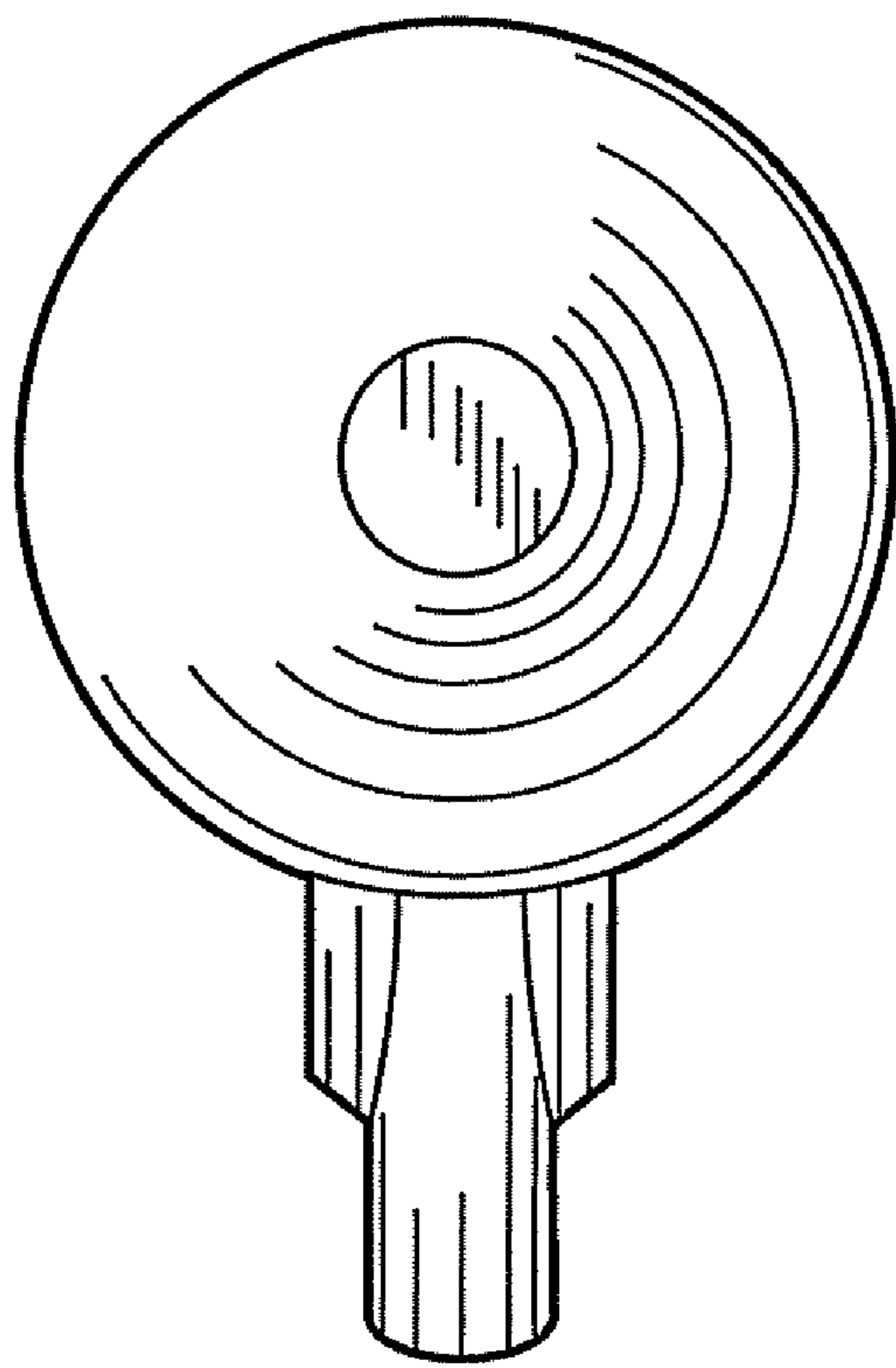


FIG. 5

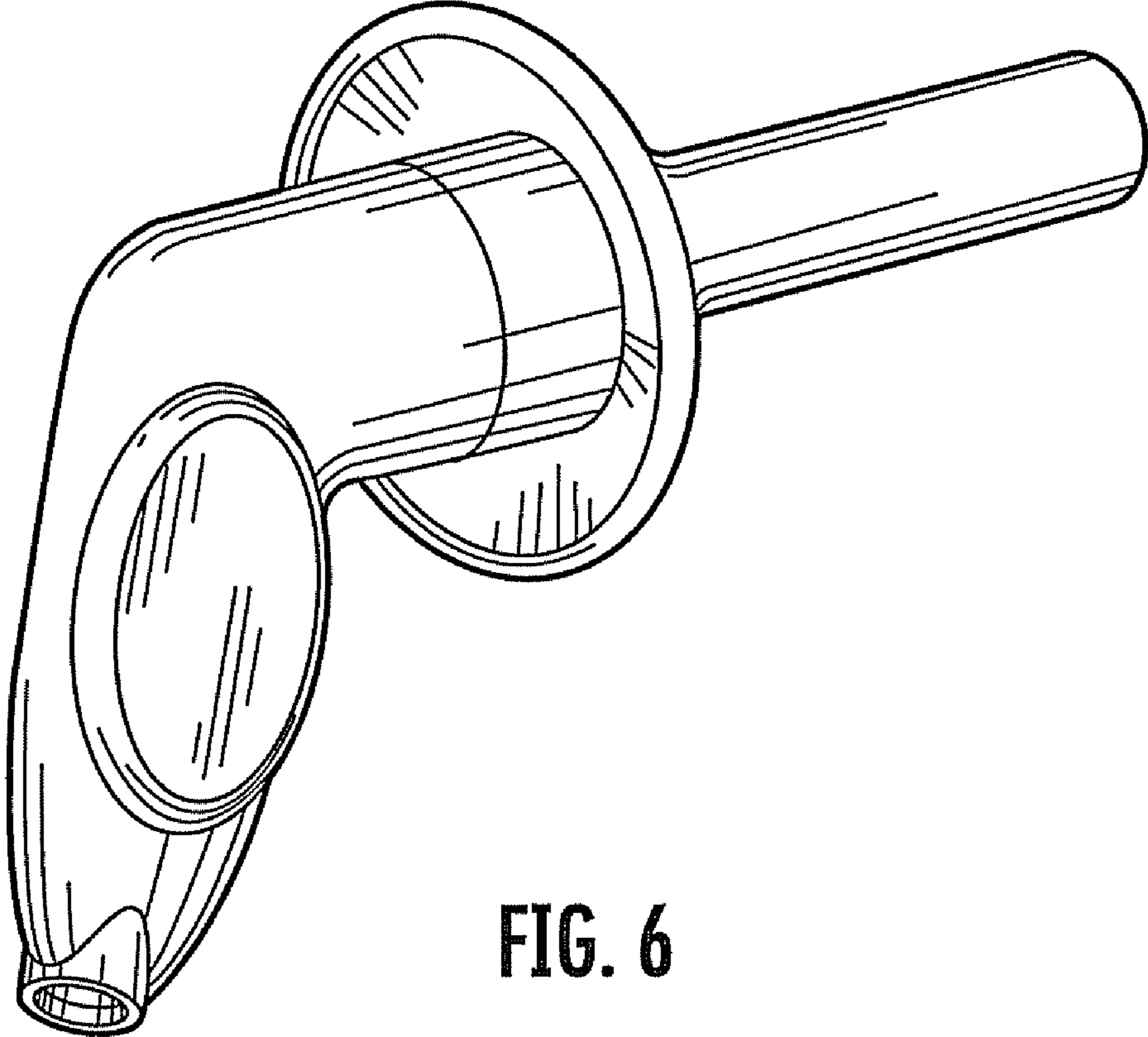


FIG. 6