



US00D578638S

(12) **United States Design Patent**  
**Falco**

(10) **Patent No.:** **US D578,638 S**  
(45) **Date of Patent:** **\*\* Oct. 14, 2008**

- (54) **EARPLUG**
- (75) Inventor: **Robert Falco**, Indianapolis, IN (US)
- (73) Assignee: **Cabot Safety Intermediate Corporation**, Newark, DE (US)
- (\*\*) Term: **14 Years**
- (21) Appl. No.: **29/282,265**
- (22) Filed: **Jul. 16, 2007**

D478,658 S *	8/2003	Falco	.....	D24/106
D492,765 S *	7/2004	Falco	.....	D24/106
D492,766 S *	7/2004	Falco	.....	D24/106
D493,219 S *	7/2004	Falco	.....	D24/106
D494,269 S *	8/2004	Fleming	.....	D24/106
D535,644 S *	1/2007	Drambarean et al.	.....	D14/223
D560,792 S *	1/2008	Miller	.....	D24/106
2006/0162992 A1 *	7/2006	Seville	.....	181/135

**Related U.S. Application Data**

- (62) Division of application No. 29/242,377, filed on Nov. 9, 2005, now Pat. No. Des. 550,655.
- (51) **LOC (8) Cl.** ..... **24-04**
- (52) **U.S. Cl.** ..... **D24/106**
- (58) **Field of Classification Search** ..... D24/106;  
181/129, 130, 131, 135; 128/857, 864, 865,  
128/867, 868; 381/313, 359, 338; D14/223  
See application file for complete search history.

**References Cited**

**U.S. PATENT DOCUMENTS**

D298,356 S *	11/1988	Falco	.....	D24/106
4,936,411 A *	6/1990	Leonard	.....	181/135
D413,379 S *	8/1999	Leight	.....	D24/106

\* cited by examiner

*Primary Examiner*—Ian Simmons  
*Assistant Examiner*—Carissa C Fitts  
(74) *Attorney, Agent, or Firm*—Cantor Colburn LLP

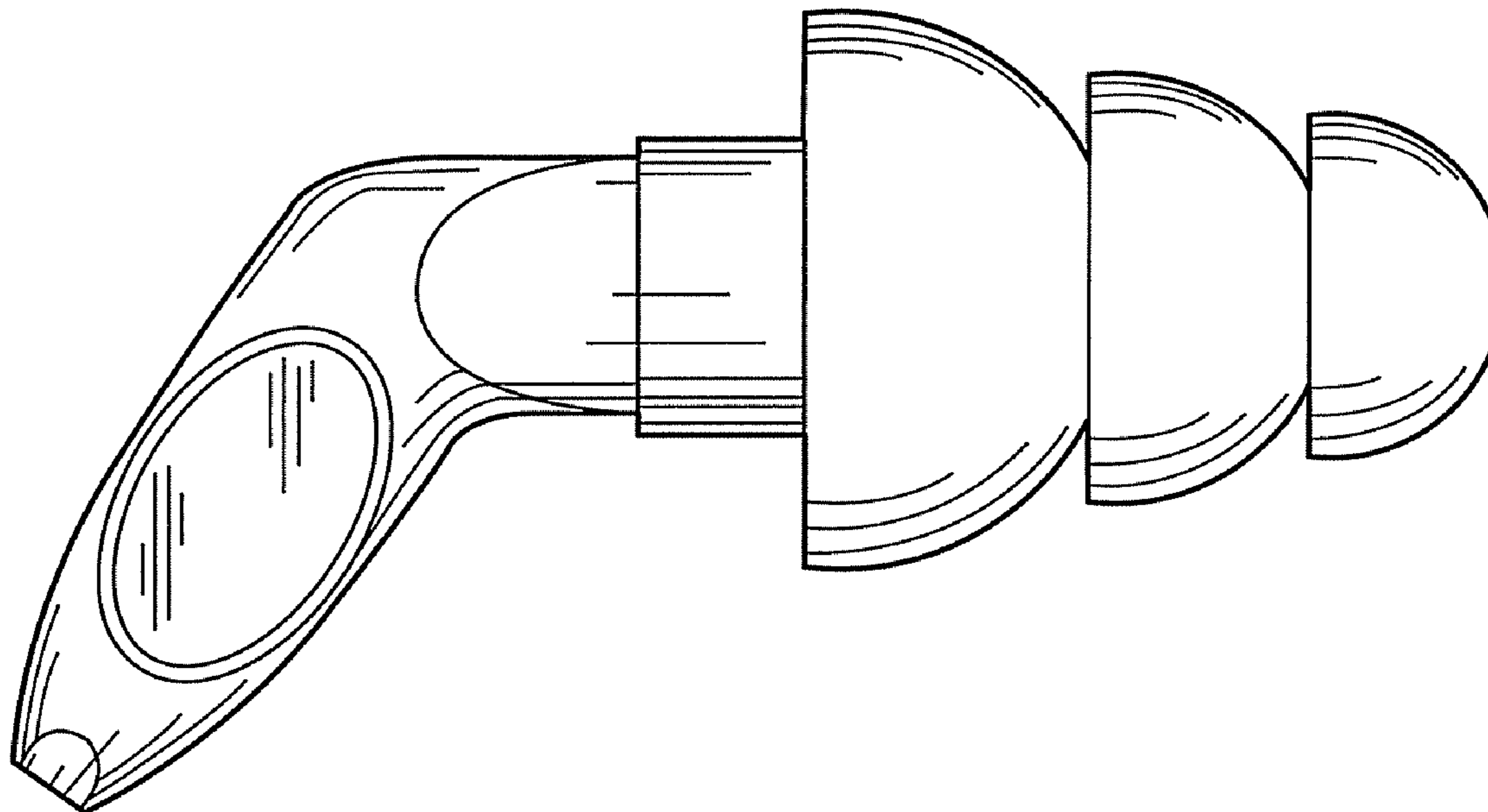
(57) **CLAIM**

I claim, the ornamental design for an earplug, as shown and described.

**DESCRIPTION**

FIG. 1 is a side elevation view of an earplug, showing my new design;  
FIG. 2 is a top plan view thereof;  
FIG. 3 is a bottom plan view thereof;  
FIG. 4 is a rear elevation view thereof; and,  
FIG. 5 is a front elevation view thereof.

**1 Claim, 5 Drawing Sheets**



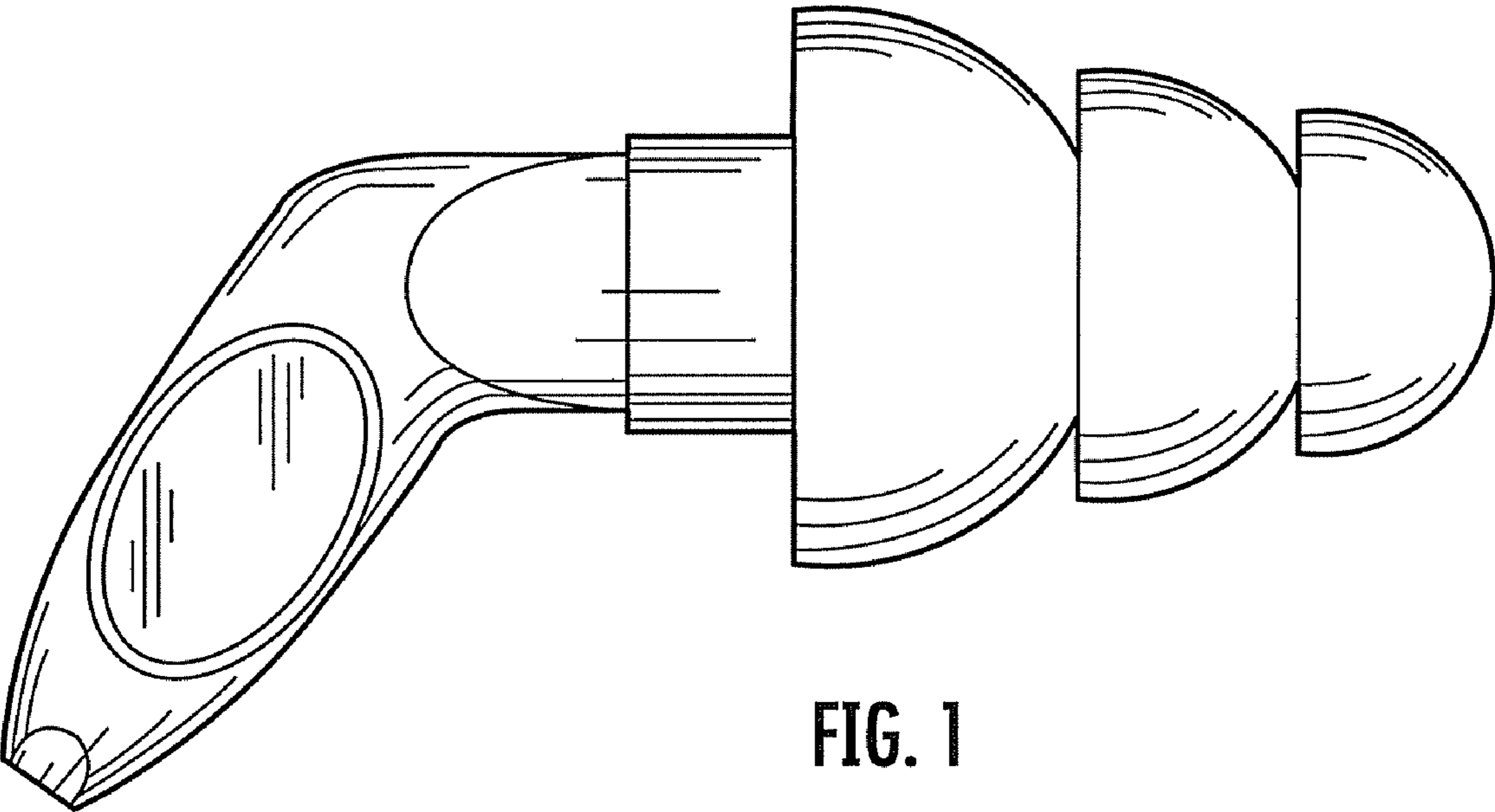


FIG. 1

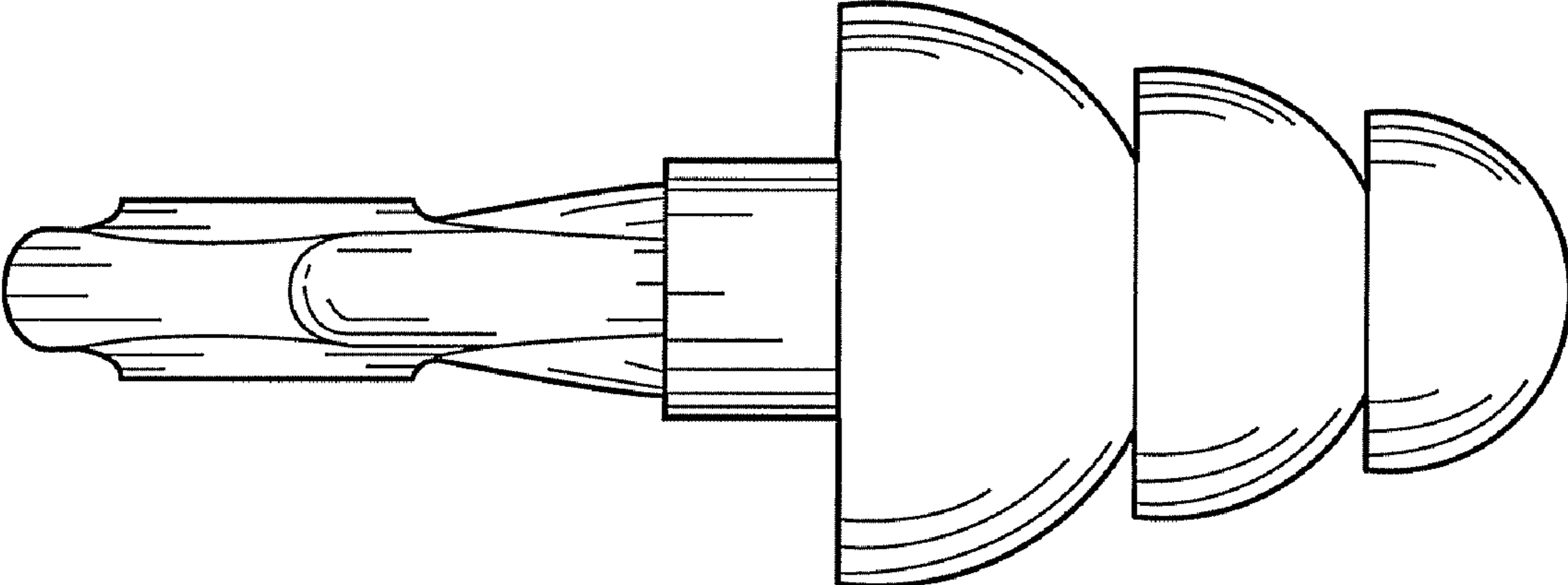


FIG. 2

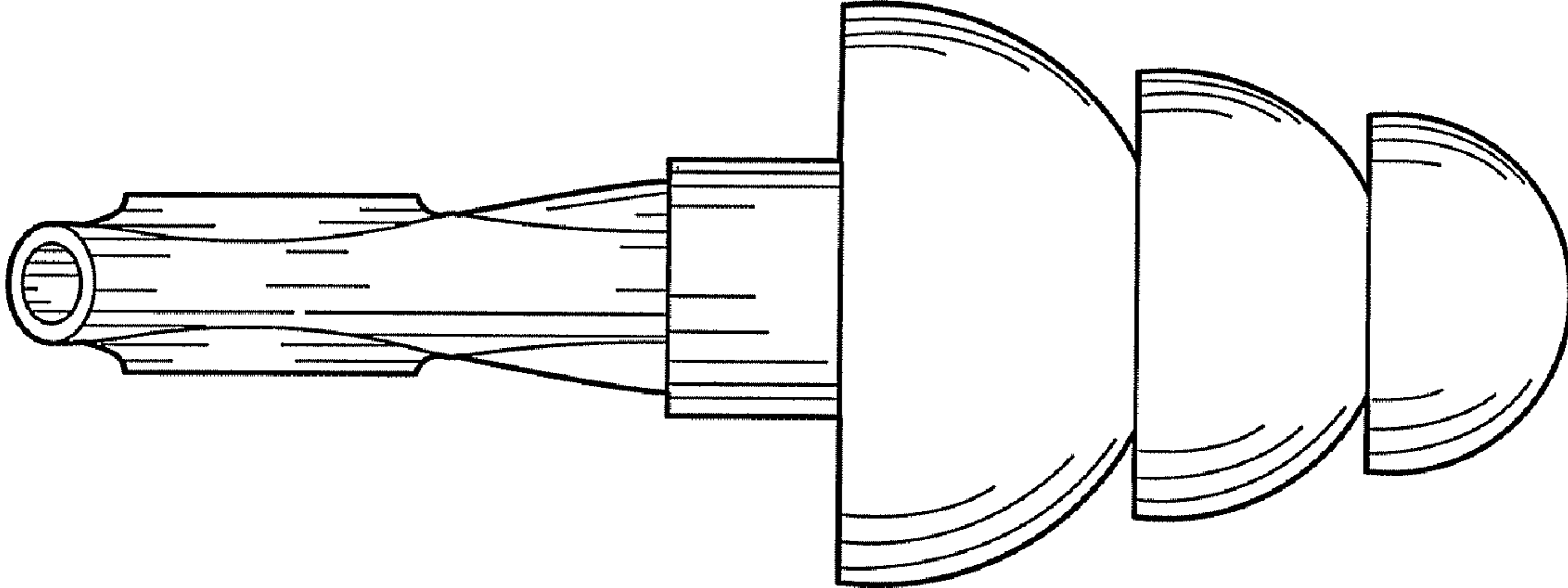


FIG. 3

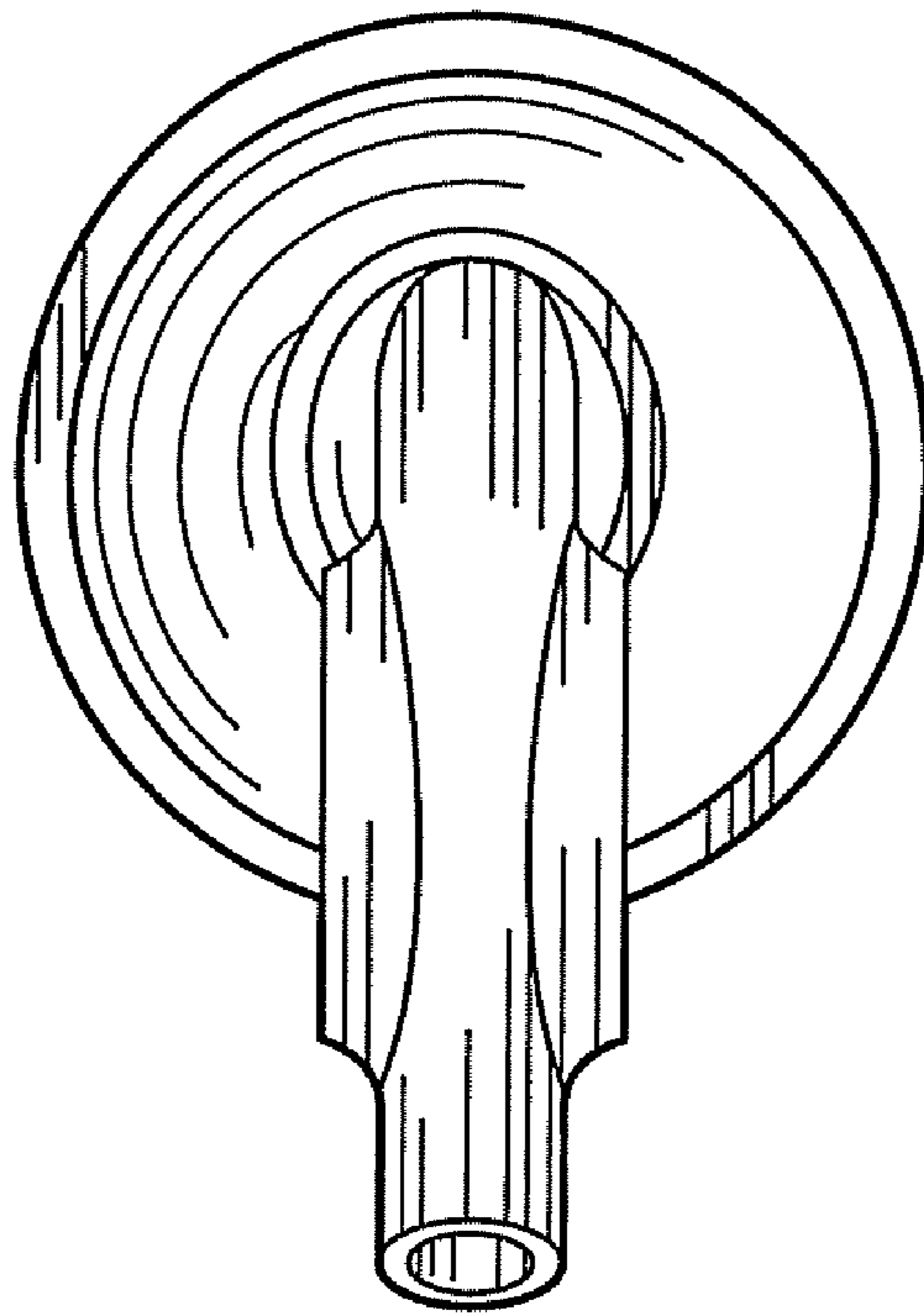


FIG. 4

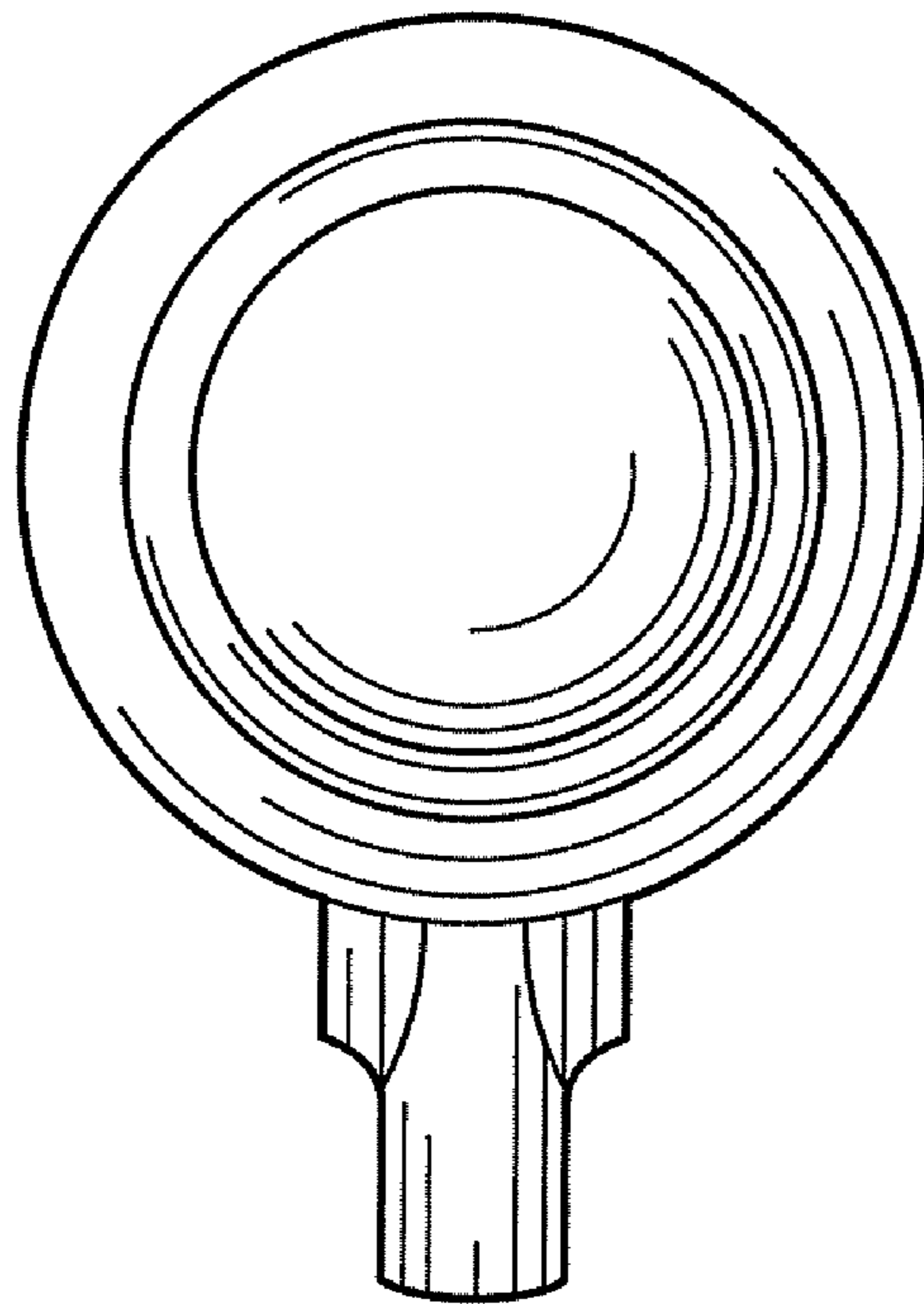


FIG. 5