



US00D578637S

(12) **United States Design Patent**
Falco

(10) **Patent No.:** **US D578,637 S**

(45) **Date of Patent:** **** Oct. 14, 2008**

(54) **EARPLUG**

(75) Inventor: **Robert Falco**, Indianapolis, IN (US)

(73) Assignee: **Cabot Safety Intermediate Corporation**, Newark, DE (US)

(**) Term: **14 Years**

(21) Appl. No.: **29/282,264**

(22) Filed: **Jul. 16, 2007**

Related U.S. Application Data

(62) Division of application No. 29/242,377, filed on Nov. 9, 2005, now Pat. No. Des. 550,655.

(51) **LOC (8) Cl.** **24-04**

(52) **U.S. Cl.** **D24/106**

(58) **Field of Classification Search** D24/106;
181/129, 130, 131, 135; 128/857, 864, 865,
128/867, 868; 381/313, 359, 338; D14/223
See application file for complete search history.

(56) **References Cited**

U.S. PATENT DOCUMENTS

2,888,921 A * 6/1959 Nielson et al. 128/865
4,774,938 A * 10/1988 Leight 128/864

D413,379 S * 8/1999 Leight D24/106
6,006,857 A * 12/1999 Leight et al. 181/135
D478,658 S * 8/2003 Falco D24/106
D535,644 S * 1/2007 Drambarean et al. D14/223
D550,655 S * 9/2007 Falco D14/223
2006/0081415 A1 * 4/2006 Knauer et al. 181/135

* cited by examiner

Primary Examiner—Ian Simmons

Assistant Examiner—Carissa C Fitts

(74) *Attorney, Agent, or Firm*—Cantor Colburn LLP

(57) **CLAIM**

I claim, the ornamental design for an earplug, as shown and described.

DESCRIPTION

FIG. 1 is a side elevation view of an earplug, showing my new design;

FIG. 2 is a top plan view thereof;

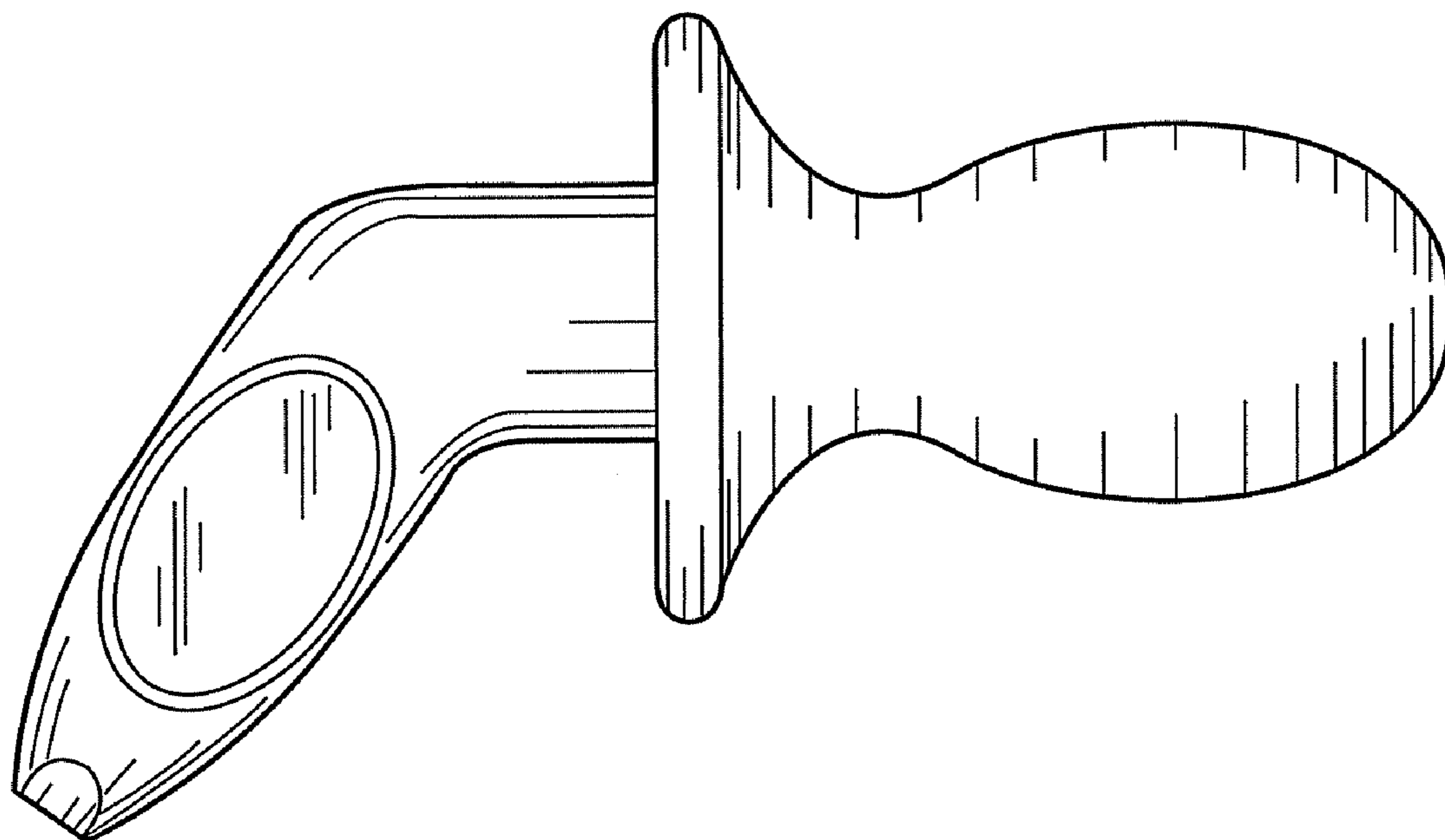
FIG. 3 is a bottom plan view thereof;

FIG. 4 is a rear elevation view thereof;

FIG. 5 is a front elevation view thereof; and,

FIG. 6 is a rear perspective view thereof.

1 Claim, 6 Drawing Sheets



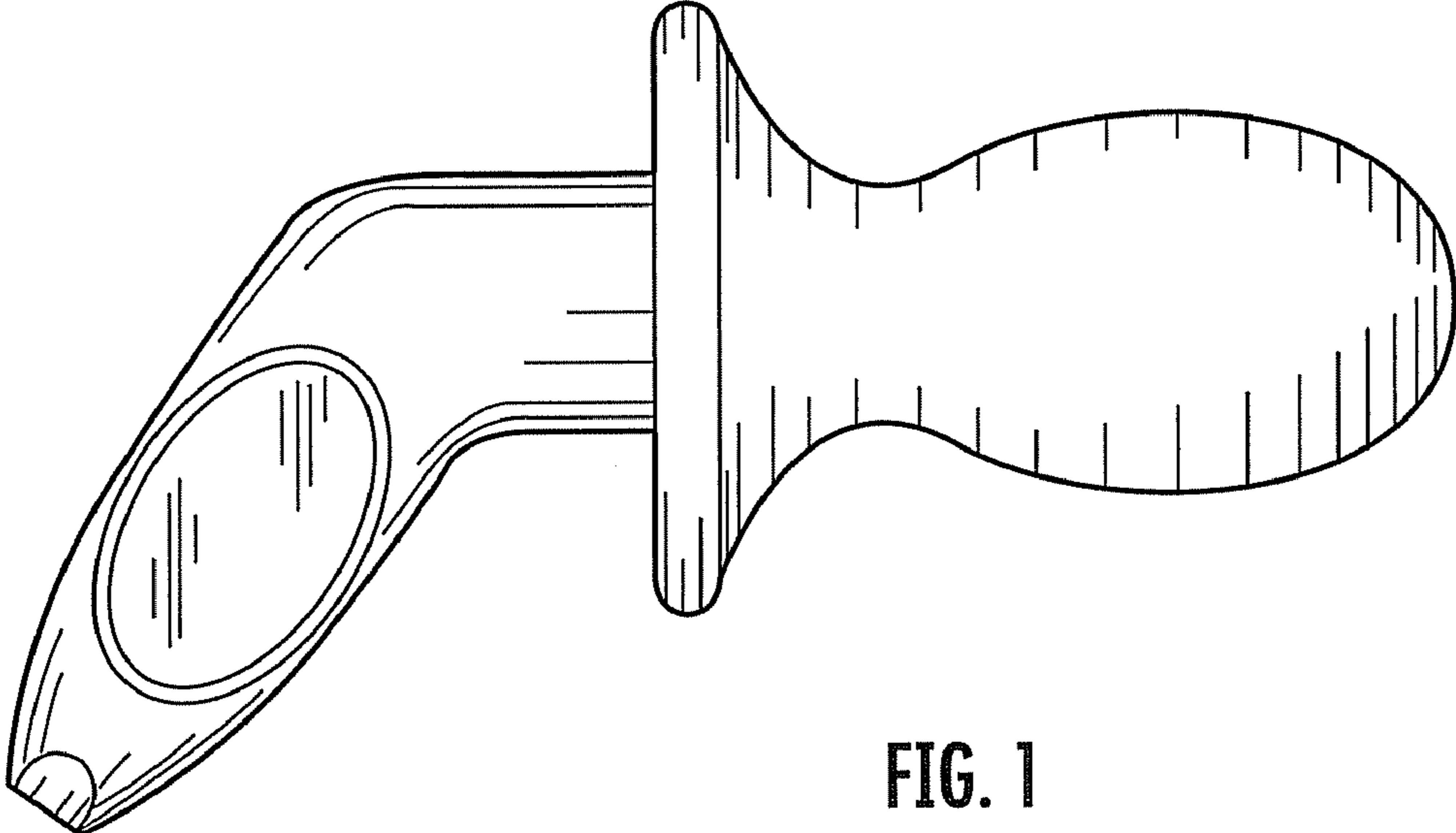


FIG. 1

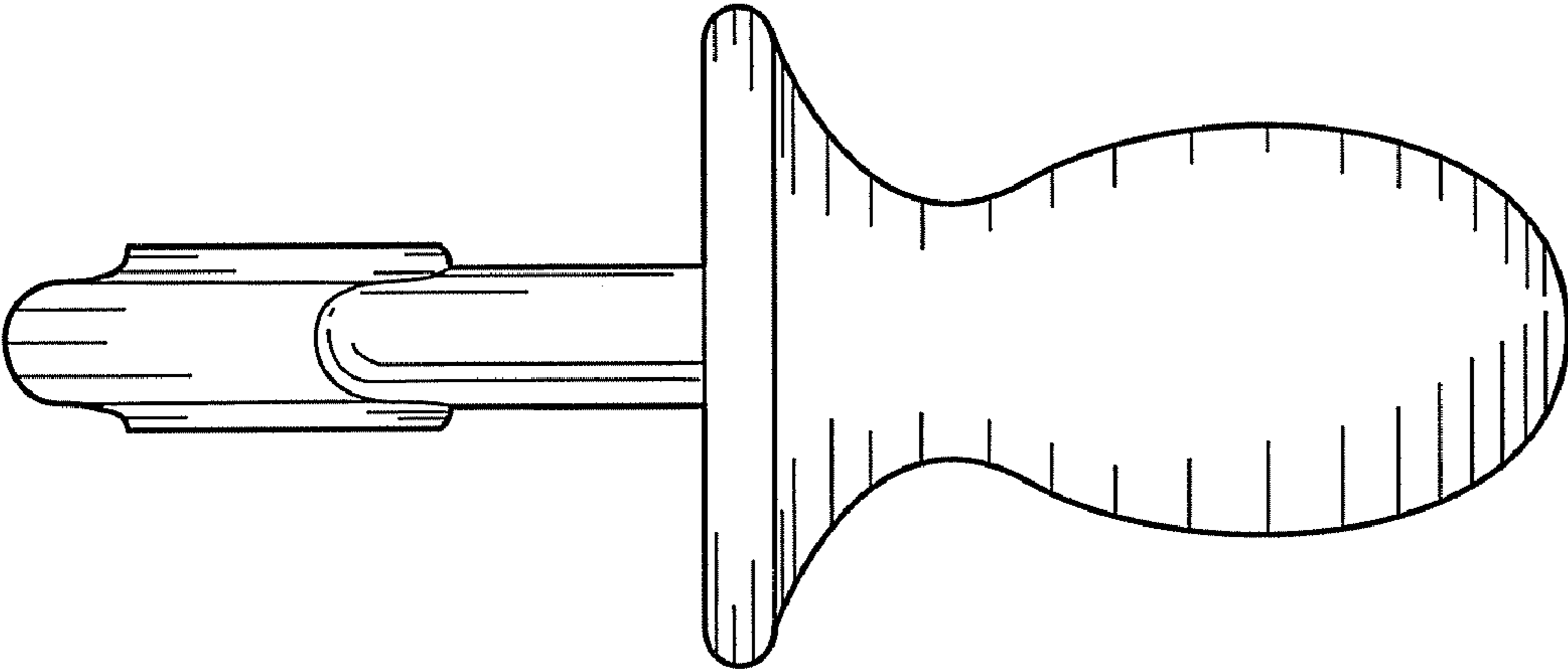


FIG. 2

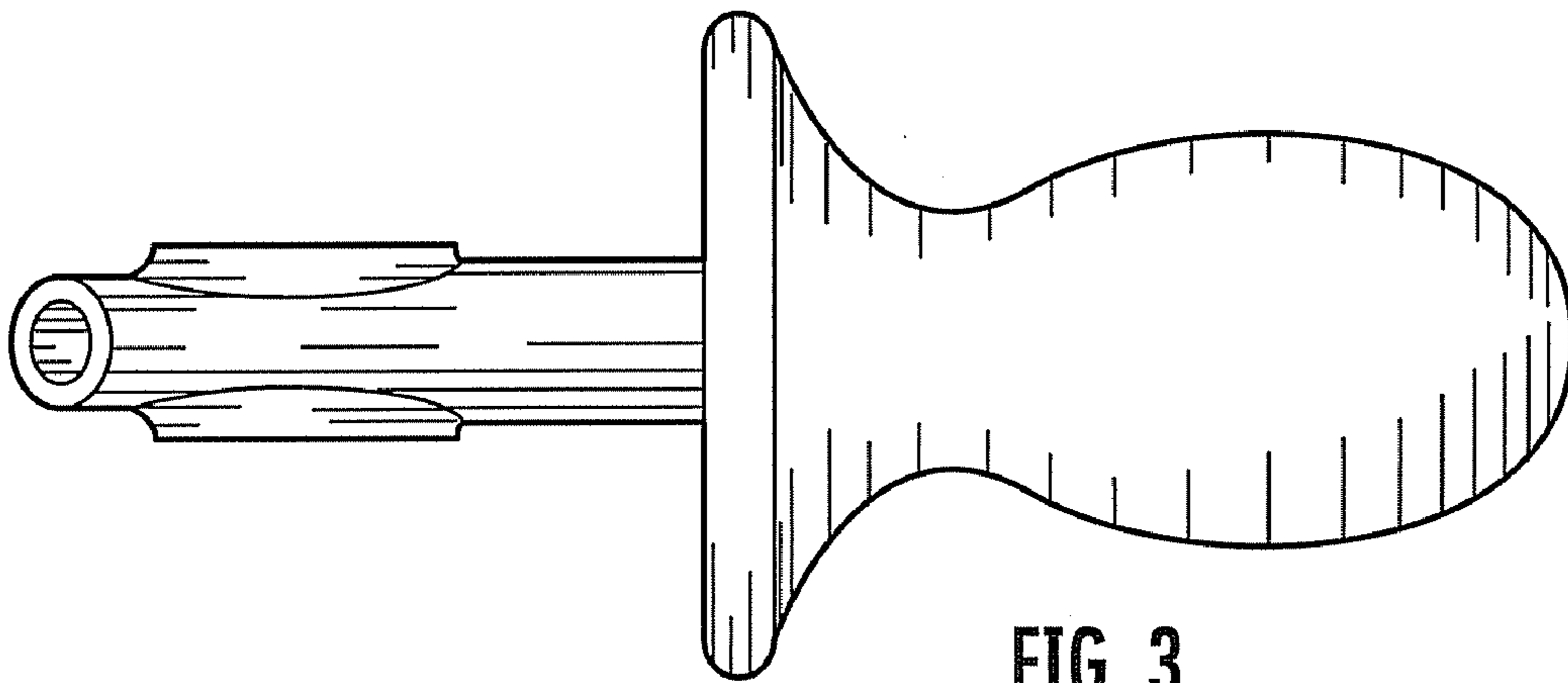


FIG. 3

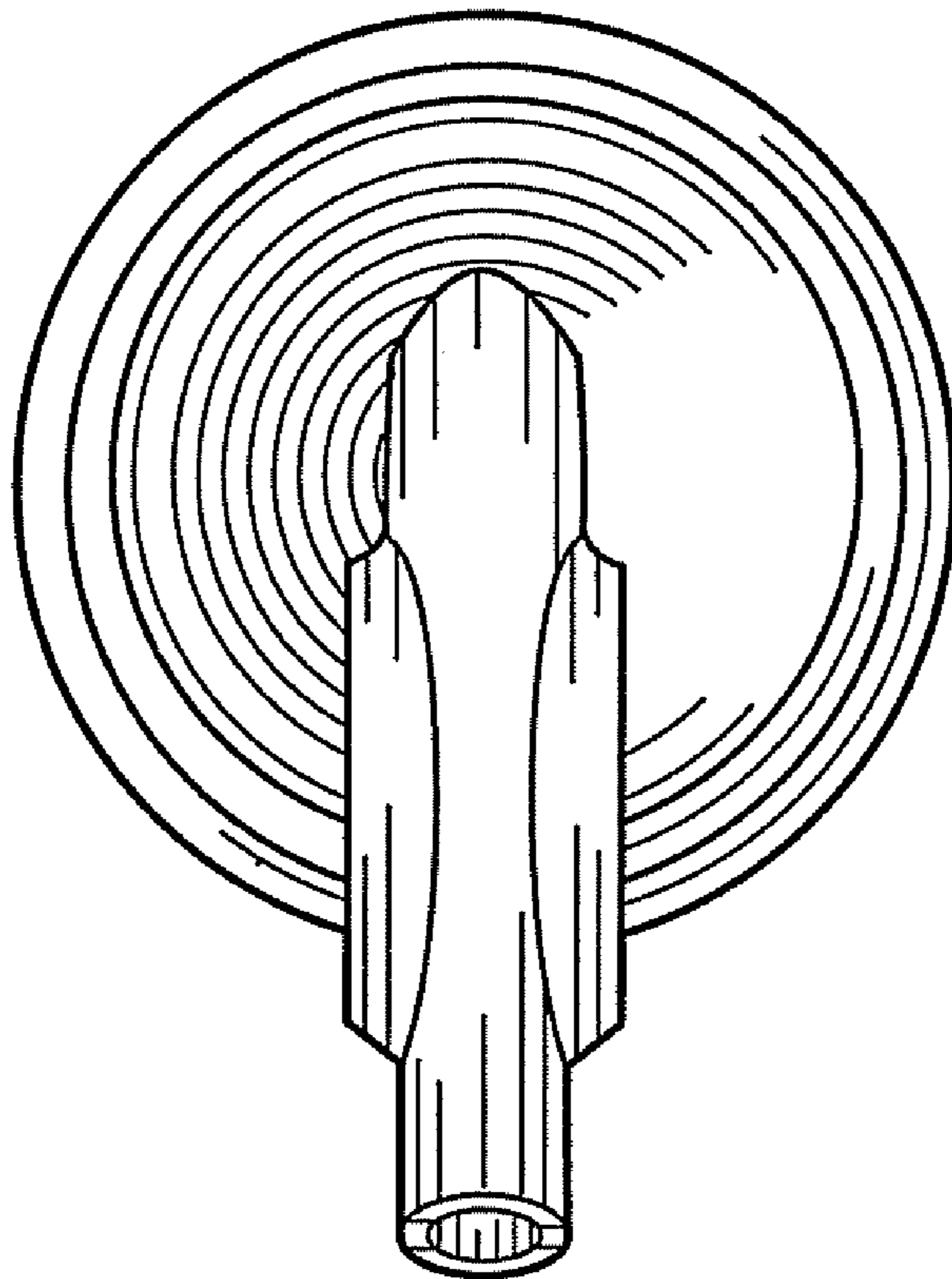


FIG. 4

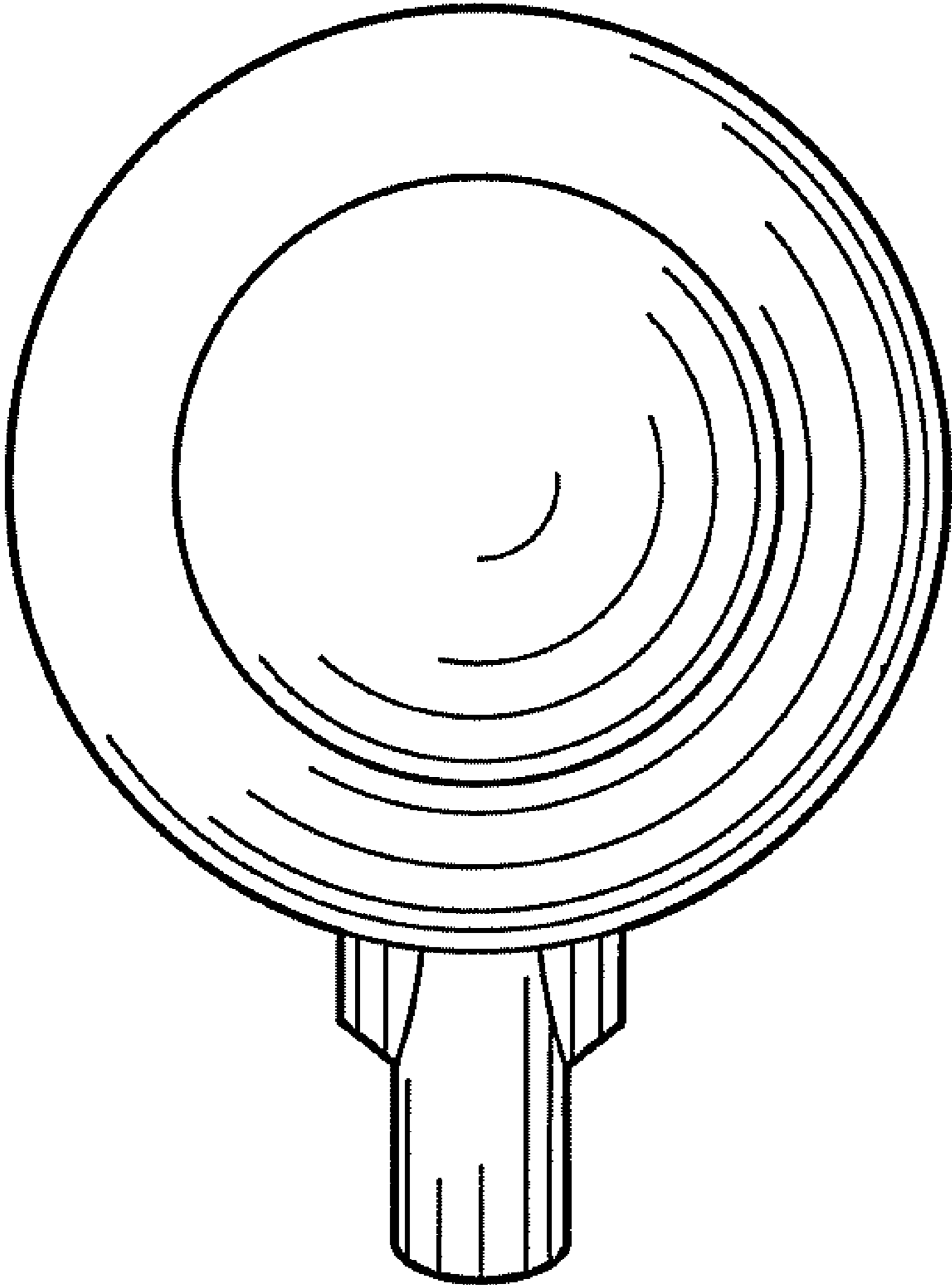


FIG. 5

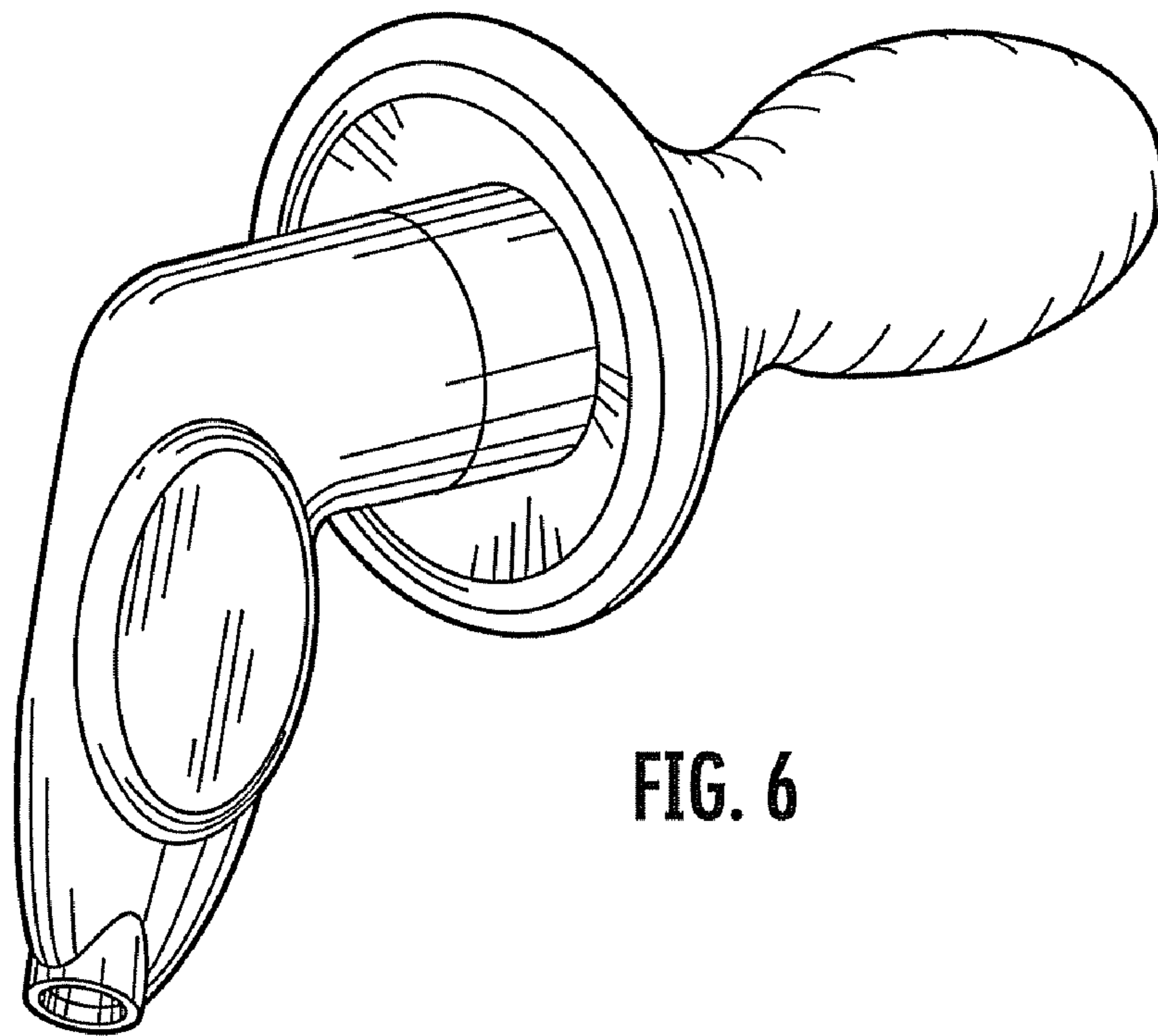


FIG. 6