



US00D578630S

(12) **United States Design Patent**
Shapiro

(10) **Patent No.:** **US D578,630 S**

(45) **Date of Patent:** **** Oct. 14, 2008**

(54) **BODY FOR A PORTABLE HEATER**

(75) Inventor: **Barry Shapiro**, Doylestown, PA (US)

(73) Assignee: **Lasko Holdings, Inc.**, Wilmington, DE (US)

(**) Term: **14 Years**

(21) Appl. No.: **29/294,987**

(22) Filed: **Feb. 5, 2008**

(51) **LOC (8) Cl.** **03-01**

(52) **U.S. Cl.** **D23/335; D23/332**

(58) **Field of Classification Search** D23/314,
D23/317, 332, 342, 333-335, 337, 351, 355,
D23/378, 370, 387, 364, 336, 341, 383; 237/56,
237/67, 61, 62; 416/244 R, 247 R, 53.1-53.3;
392/365, 367, 347, 350, 373, 407, 433, 78 A
See application file for complete search history.

(56) **References Cited**

U.S. PATENT DOCUMENTS

D445,117 S *	7/2001	Heber et al.	D15/79
D446,291 S *	8/2001	Birdsell et al.	D23/332
D479,593 S *	9/2003	Fok	D23/378
D479,874 S *	9/2003	Shapiro	D23/378
D486,217 S *	2/2004	Shapiro	D23/378
D516,687 S *	3/2006	Shapiro	D23/332
D521,144 S *	5/2006	Lai	D23/378
D521,629 S *	5/2006	Shapiro	D23/378
D530,411 S *	10/2006	Shapiro	D23/314
D531,300 S *	10/2006	Dooley	D23/378
D531,717 S *	11/2006	Tim	D23/378
D539,401 S *	3/2007	Bucher et al.	D23/335

D545,951 S *	7/2007	Bucher et al.	D23/335
D552,227 S *	10/2007	Bucher et al.	D23/378
D553,718 S *	10/2007	Shapiro et al.	D23/314
D562,952 S *	2/2008	Lewis	D23/341
D562,953 S *	2/2008	Lewis	D23/341
D566,253 S *	4/2008	Shapiro	D23/341
D569,957 S *	5/2008	Shapiro	D23/317
2004/0218912 A1 *	11/2004	Shapiro et al.	392/365

* cited by examiner

Primary Examiner—Louis S Zarfaz

Assistant Examiner—Eric L Goodman

(74) *Attorney, Agent, or Firm*—Martin Fruitman

(57) **CLAIM**

The ornamental design for a body for a portable heater, as shown and described.

DESCRIPTION

FIG. 1 is a right side front perspective view of a body for a portable heater showing my new design;

FIG. 2 is a rear perspective view thereof;

FIG. 3 is a front elevation view thereof;

FIG. 4 is a right side elevation view thereof;

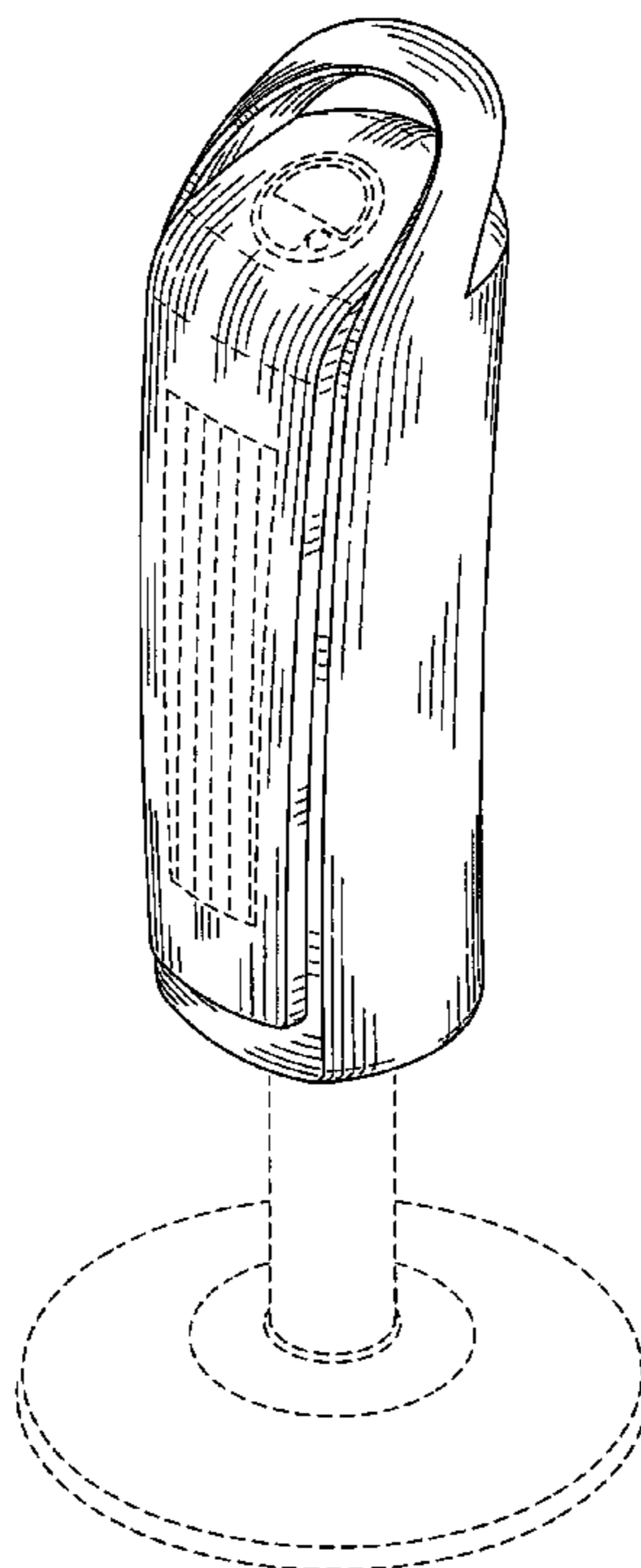
FIG. 5 is a left side elevation view thereof;

FIG. 6 is a rear elevation view thereof; and,

FIG. 7 is a top plan view thereof.

The broken line showing of environmental structure in FIGS. 1-7 is for illustrative purposes only and forms no part of the claimed design.

1 Claim, 7 Drawing Sheets



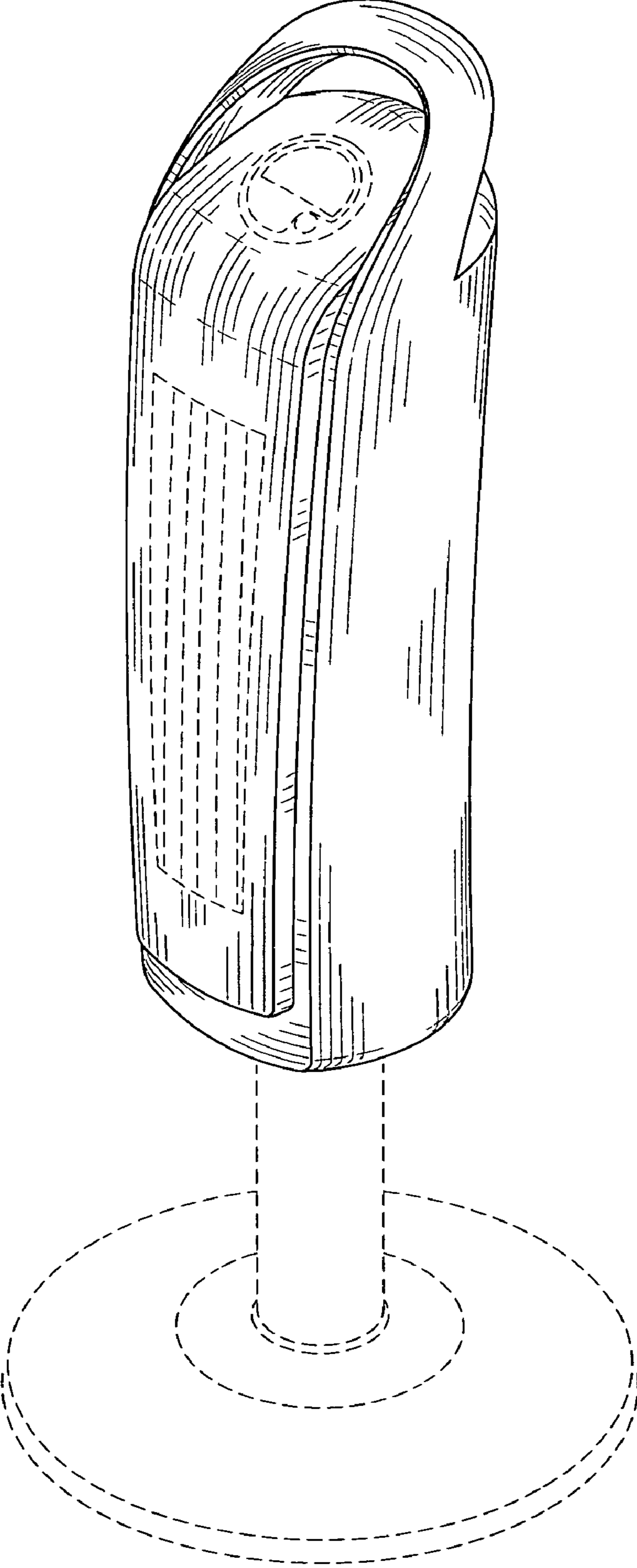


FIG. 1

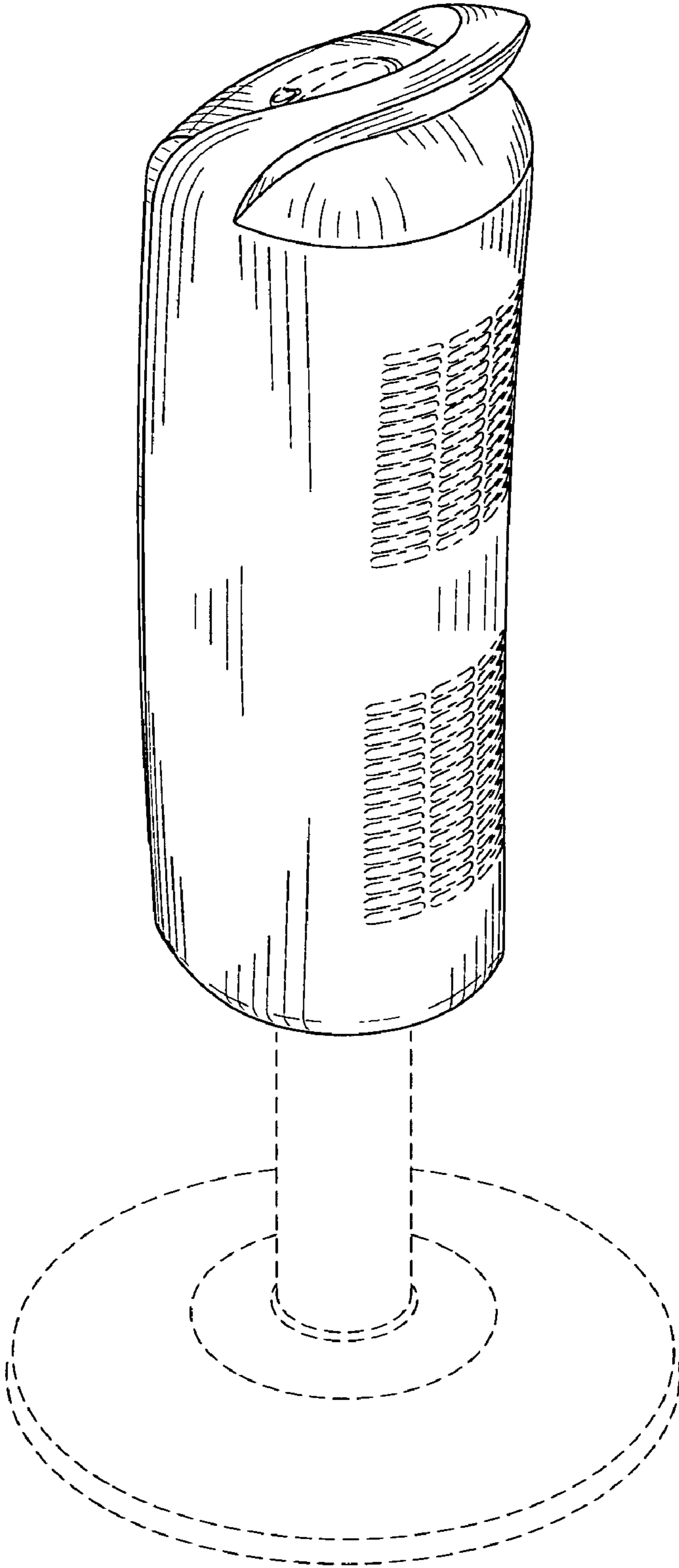


FIG. 2

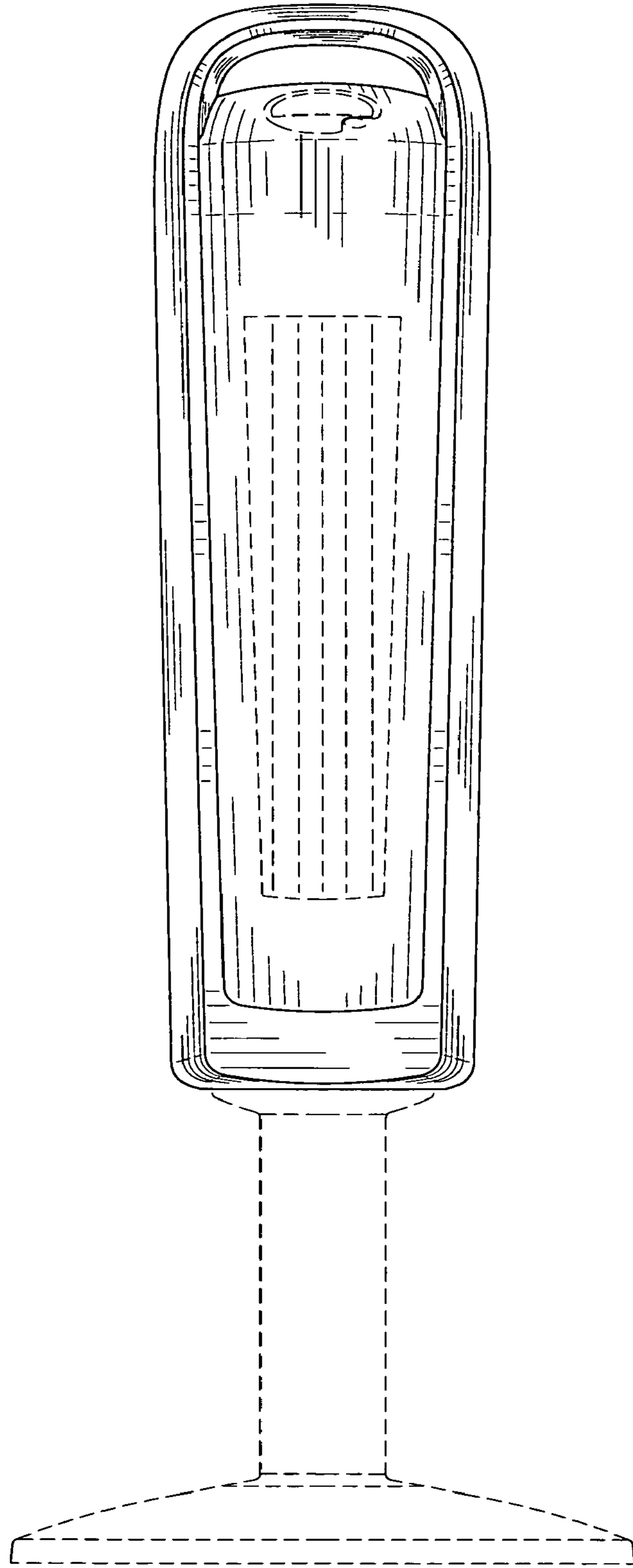


FIG. 3

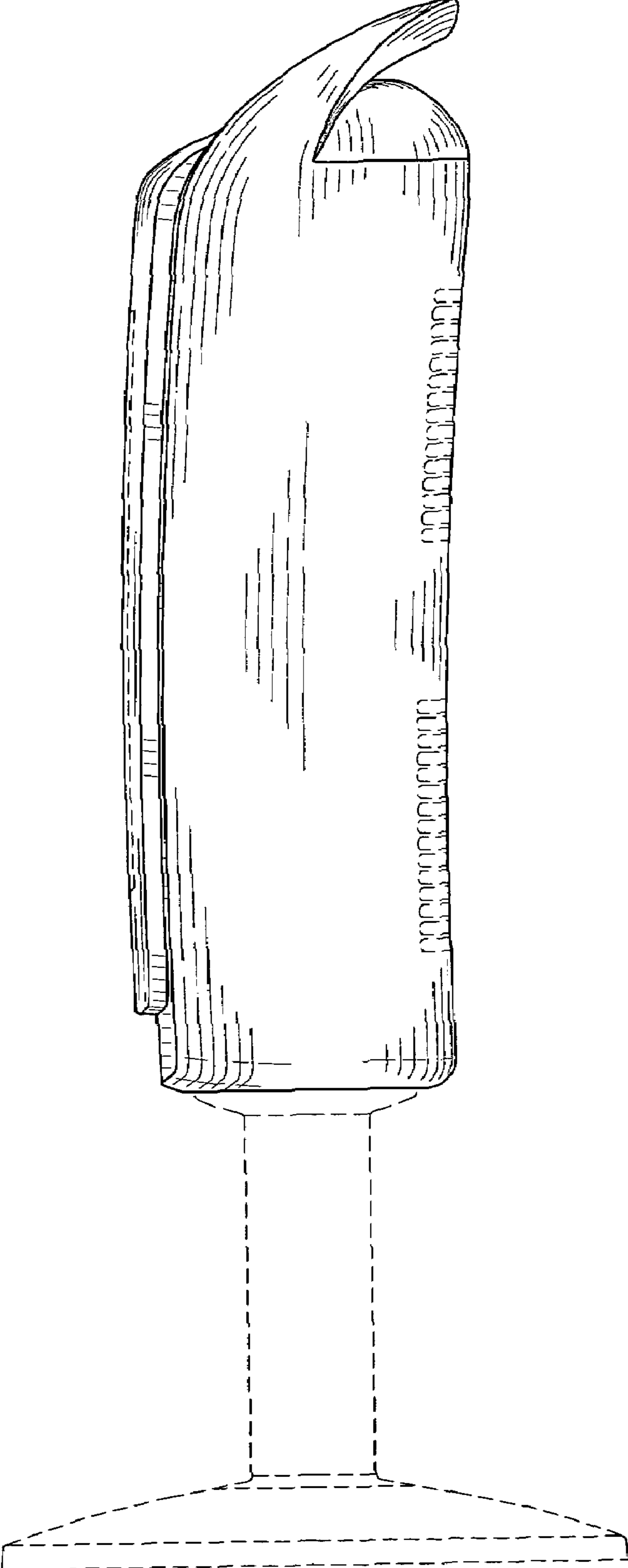


FIG. 4

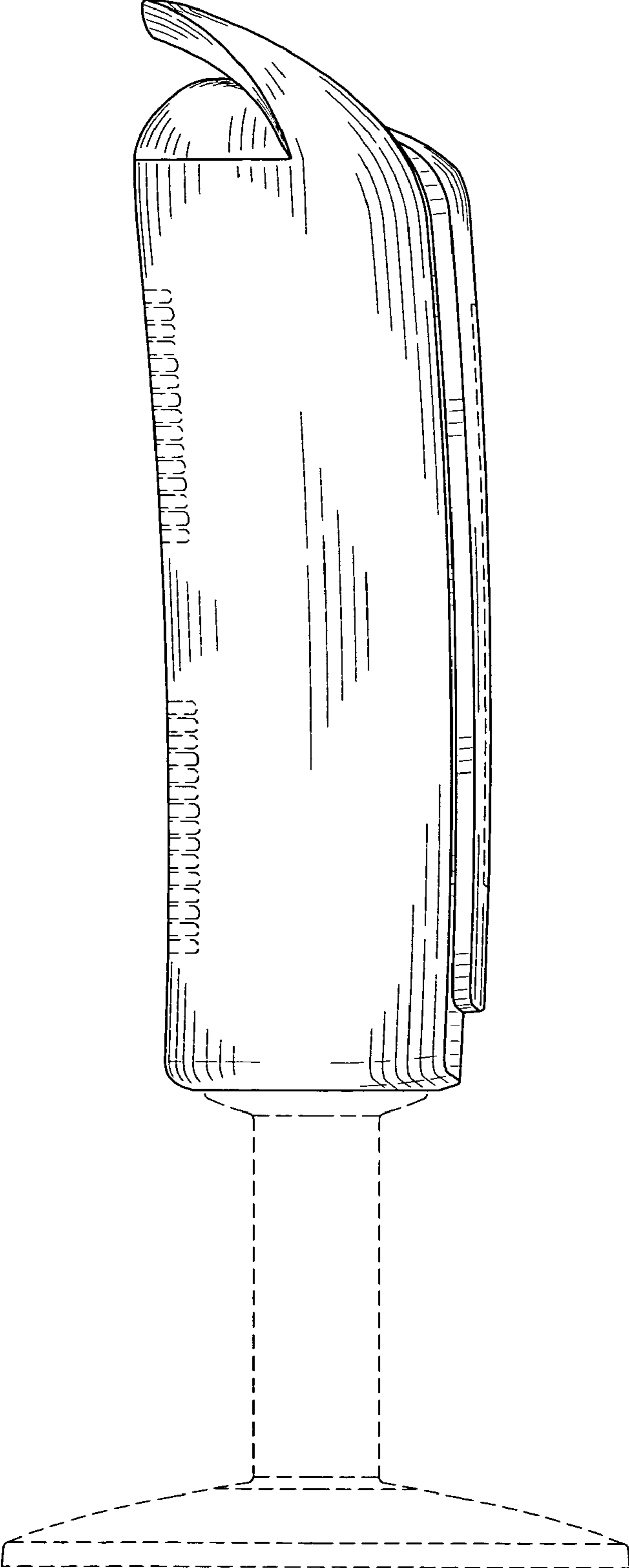


FIG. 5

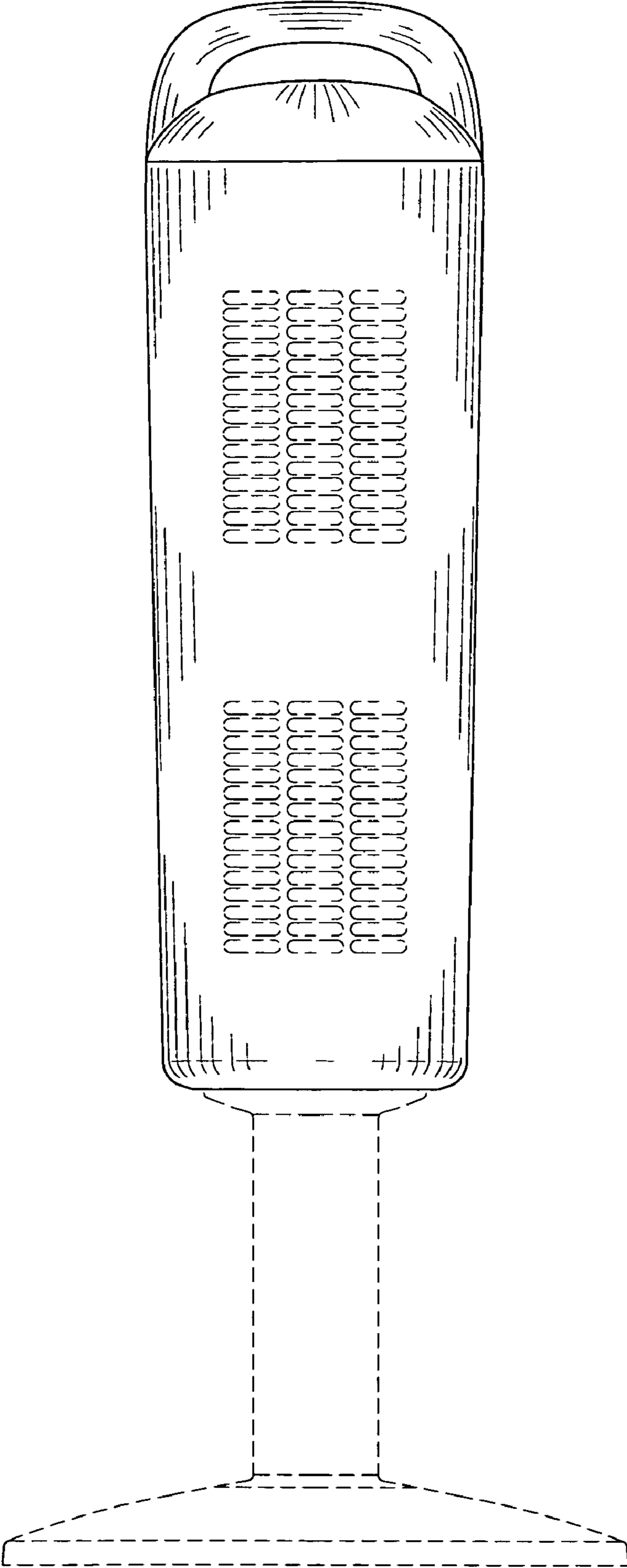


FIG. 6

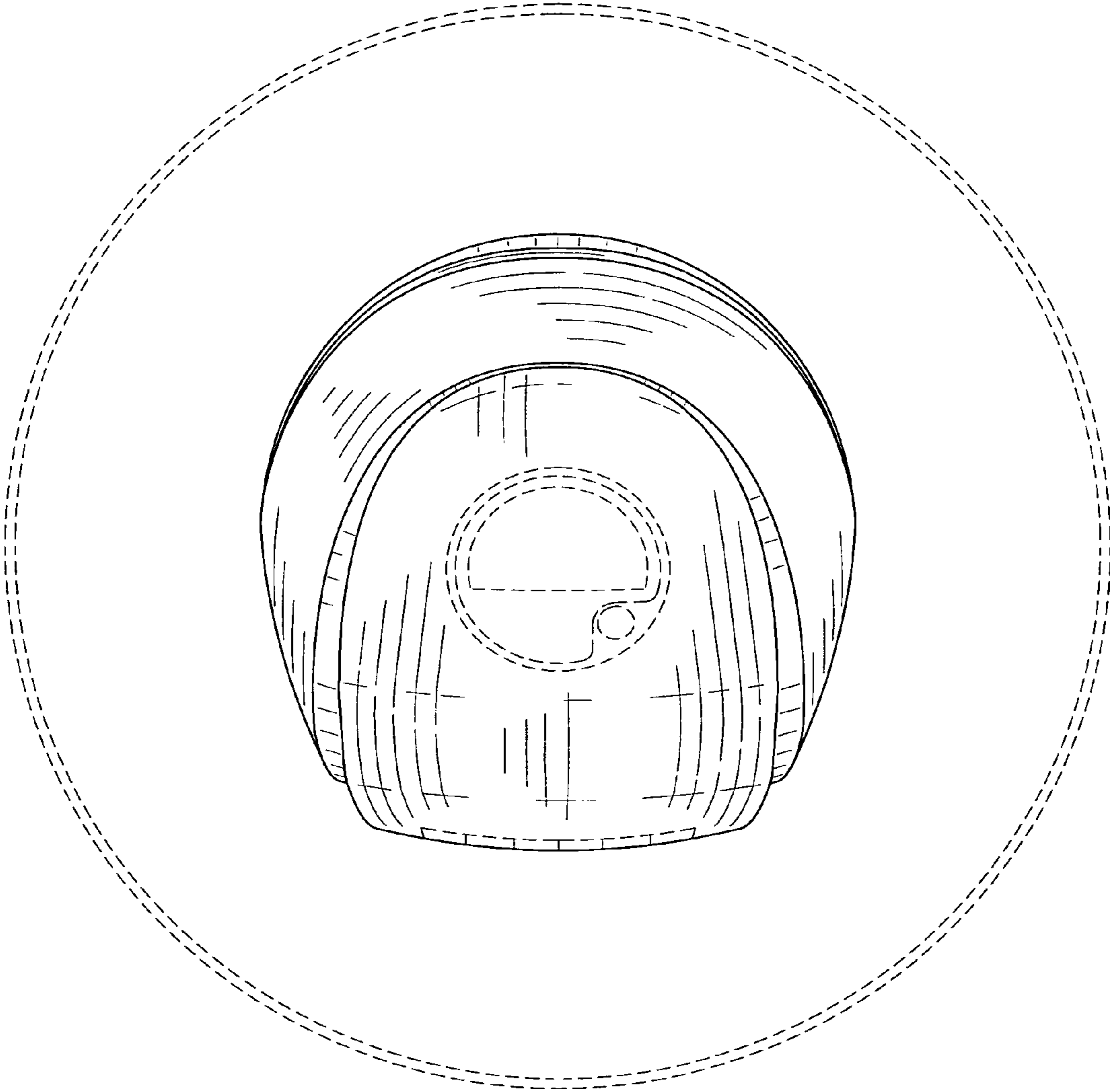


FIG. 7