



US00D578622S

(12) **United States Design Patent**
Kollmann

(10) **Patent No.:** **US D578,622 S**

(45) **Date of Patent:** **** Oct. 14, 2008**

(54) **HAND-HELD SHOWER MOUNT**

(75) Inventor: **Fabian Kollmann**, Stuttgart (DE)

(73) Assignee: **Hansgrohe AC** (DE)

(**) Term: **14 Years**

(21) Appl. No.: **29/282,120**

(22) Filed: **Jul. 12, 2007**

(30) **Foreign Application Priority Data**

Jan. 15, 2007 (EP) 000652482-0002

(51) **LOC (8) Cl.** **23-02**

(52) **U.S. Cl.** **D23/304**

(58) **Field of Classification Search** D23/275,
D23/283, 303-304; 4/570, 615, 661, 900;
D8/363, 377; 248/229.1, 218.4

See application file for complete search history.

(56) **References Cited**

U.S. PATENT DOCUMENTS

D425,608 S * 5/2000 Haug et al. D23/304

D426,290 S * 6/2000 Haug et al. D23/304

D489,798 S * 5/2004 Hunt D23/304

* cited by examiner

Primary Examiner—Robert A Delehanty

(74) *Attorney, Agent, or Firm*—Leon E. Redman; Lloyd D. Doigan

(57) **CLAIM**

The ornamental design for a hand-held shower mount, as shown and described.

DESCRIPTION

FIG. 1 is a front perspective view of a hand-held shower mount showing my design;

FIG. 2 is a front elevational view thereof;

FIG. 3 is a rear elevational view thereof;

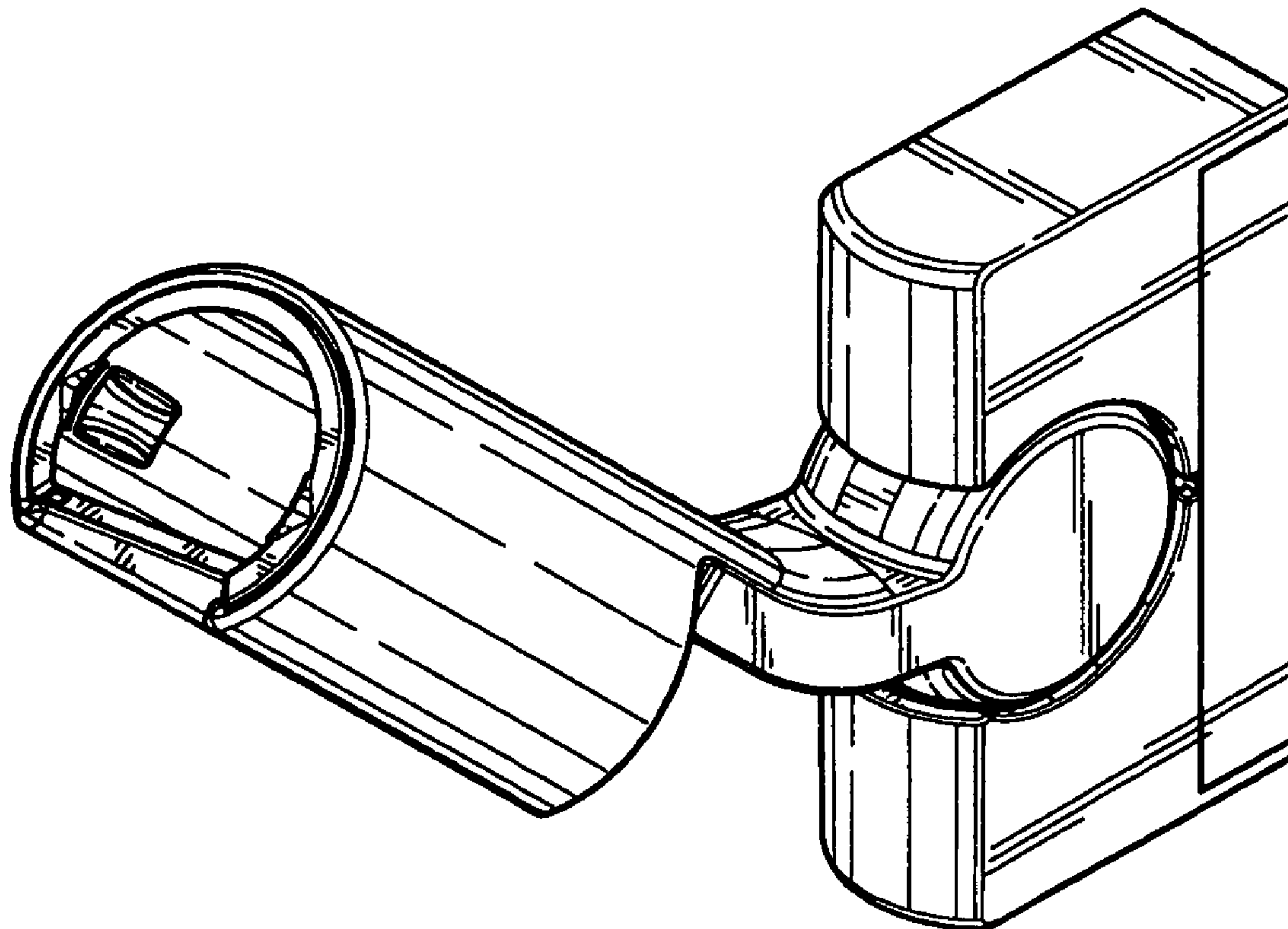
FIG. 4 is a right side elevational view thereof; the left side elevational view being a mirror image thereof;

FIG. 5 is a top plan view thereof; and,

FIG. 6 is a bottom plan view thereof.

The broken lines in the Figures are for illustrative purposes only and form no part of the claimed design.

1 Claim, 6 Drawing Sheets



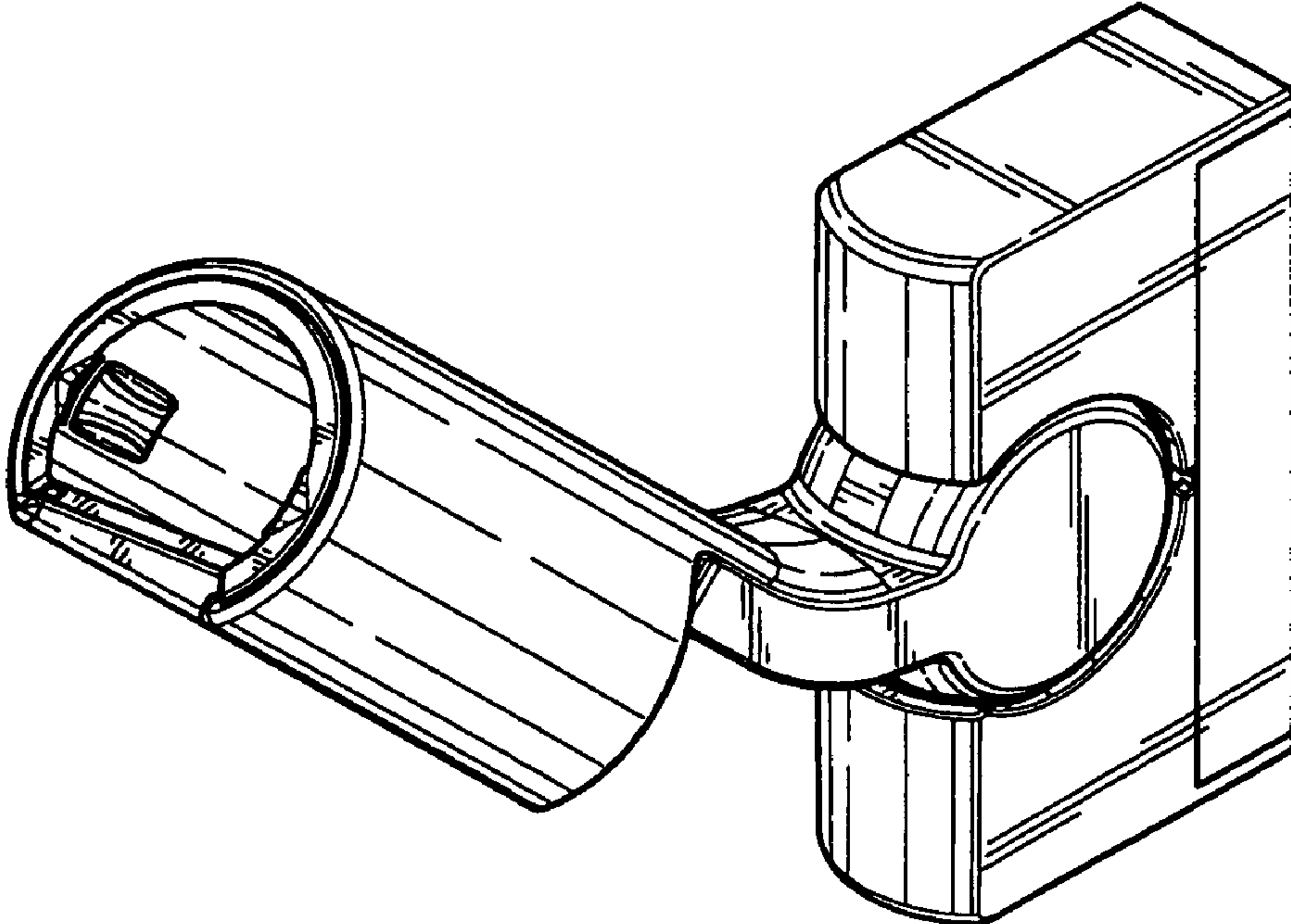


FIG. 1

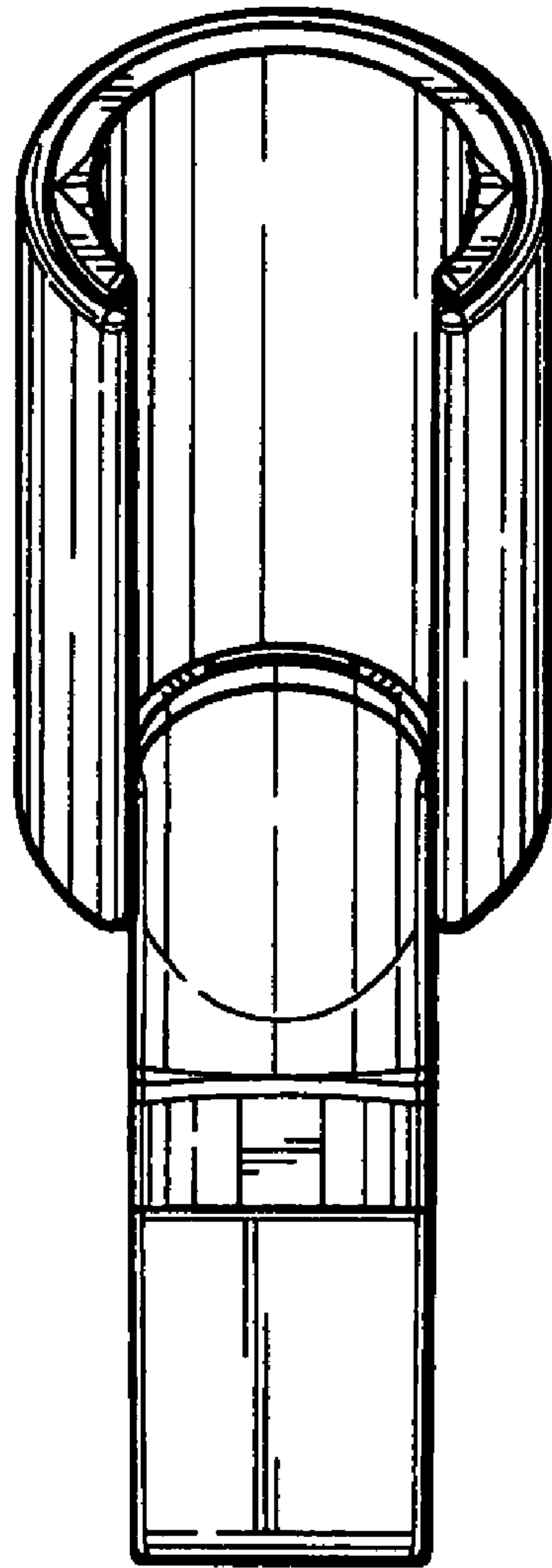


FIG. 2

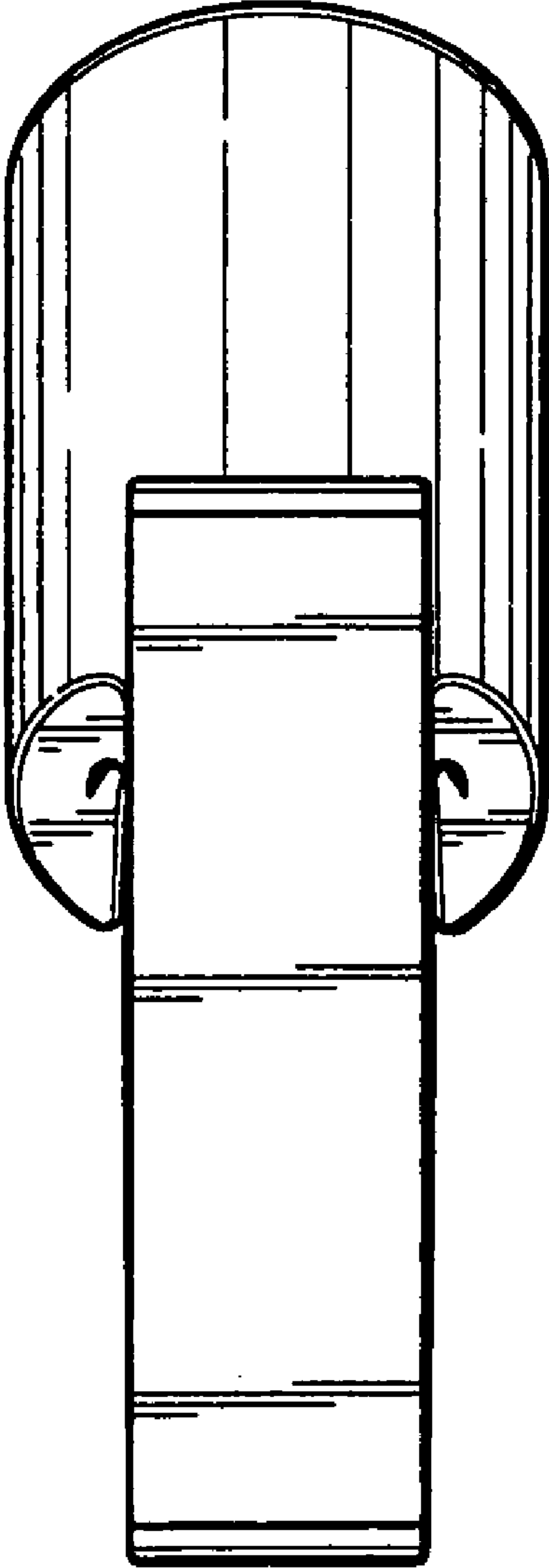


FIG. 3

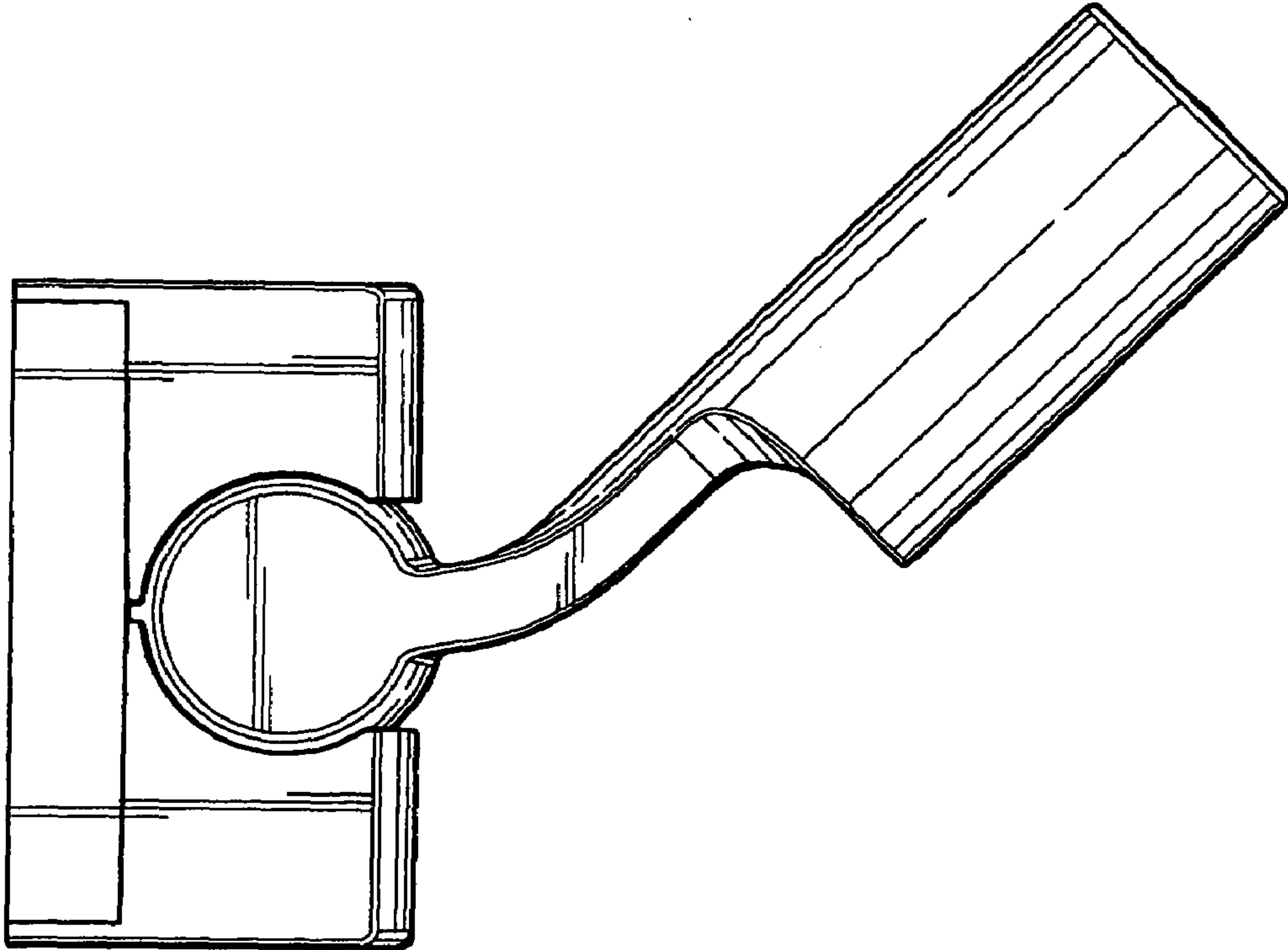
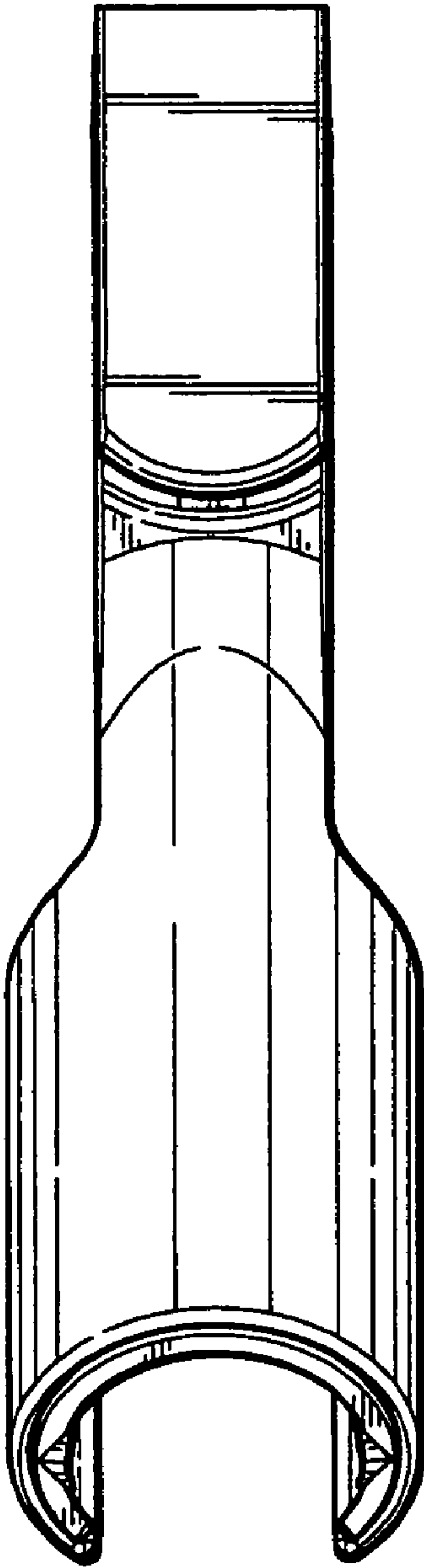


FIG. 4

FIG. 5



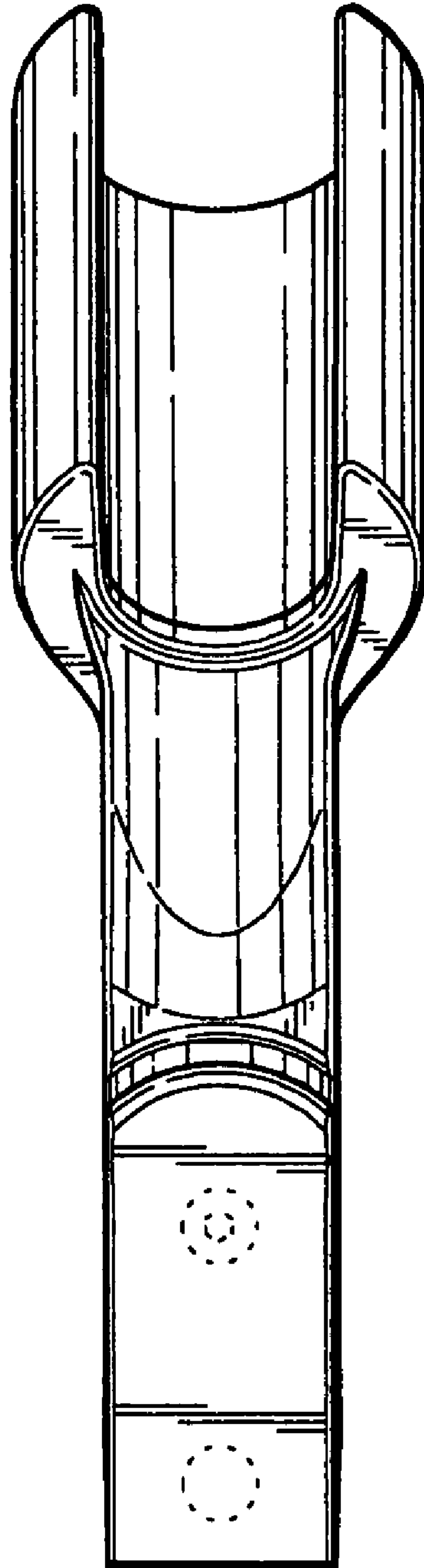


FIG. 6