



US00D578621S

(12) **United States Design Patent**  
**Lee et al.**

(10) **Patent No.:** **US D578,621 S**  
(45) **Date of Patent:** **\*\* Oct. 14, 2008**

(54) **TOILET**

(75) Inventors: **Jennifer Lee**, Woodridge, IL (US);  
**Li-Min Hou**, Weifang (CN)

(73) Assignee: **Globe Union Industrial Corp.**,  
Taichung (TW)

(\*\*) Term: **14 Years**

(21) Appl. No.: **29/299,146**

(22) Filed: **Dec. 20, 2007**

(51) **LOC (8) Cl.** ..... **23-02**

(52) **U.S. Cl.** ..... **D23/301**

(58) **Field of Classification Search** ..... D23/295,  
D23/301, 303, 309, 299; 4/664, 300, 420,  
4/DIG. 15

See application file for complete search history.

(56) **References Cited**

U.S. PATENT DOCUMENTS

D556,300 S \* 11/2007 Lin et al. .... D23/295

\* cited by examiner

*Primary Examiner*—Robert A Delehanty

(74) *Attorney, Agent, or Firm*—Leong C. Lei

(57) **CLAIM**

The ornamental design for a toilet, as shown and described.

**DESCRIPTION**

FIG. 1 is a front perspective view of a toilet showing my new design;

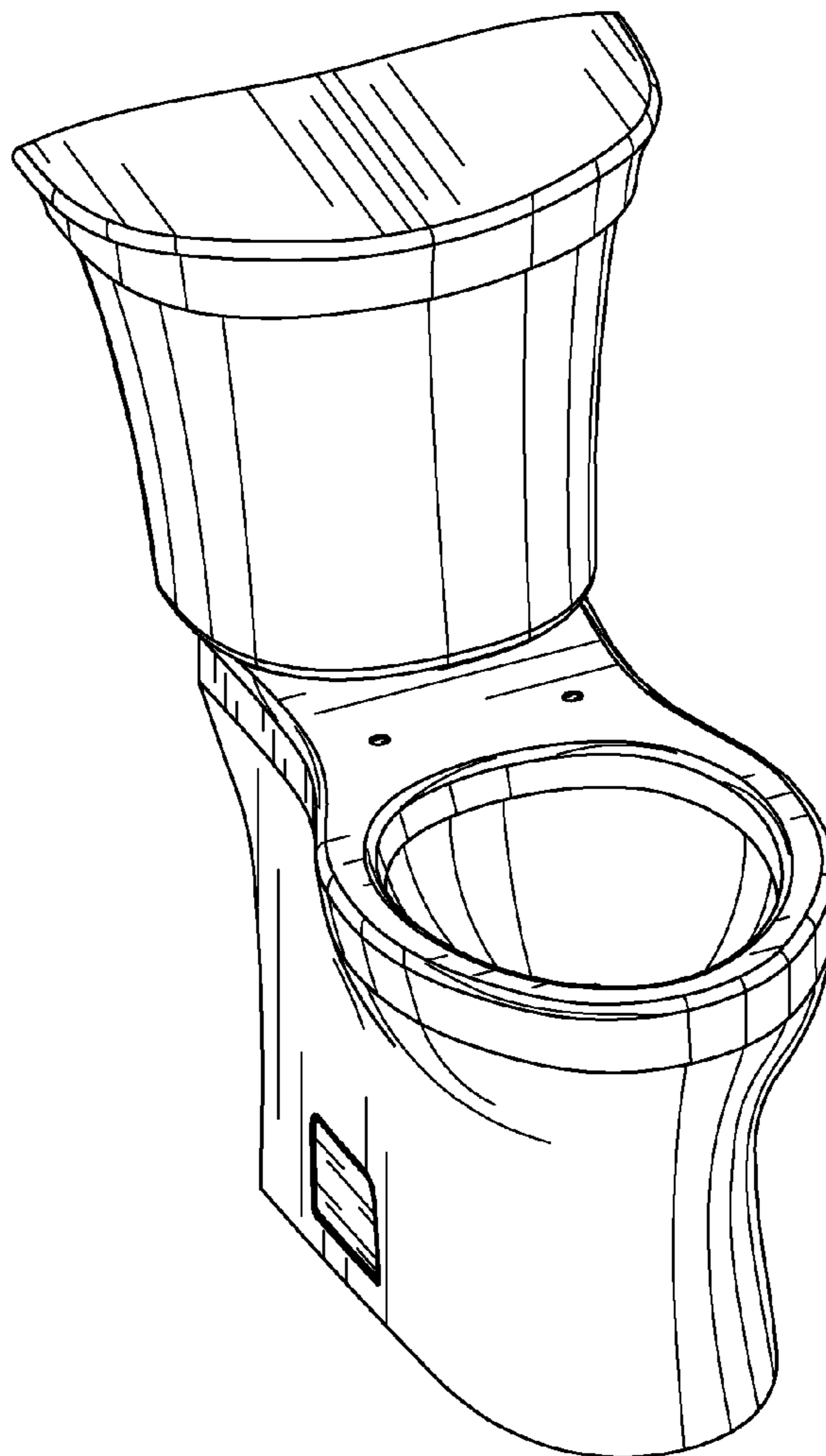
FIG. 2 is a front elevational view thereof;

FIG. 3 is a left side elevational view thereof;

FIG. 4 is a right side elevational view thereof; and,

FIG. 5 is a top plan view thereof.

**1 Claim, 5 Drawing Sheets**



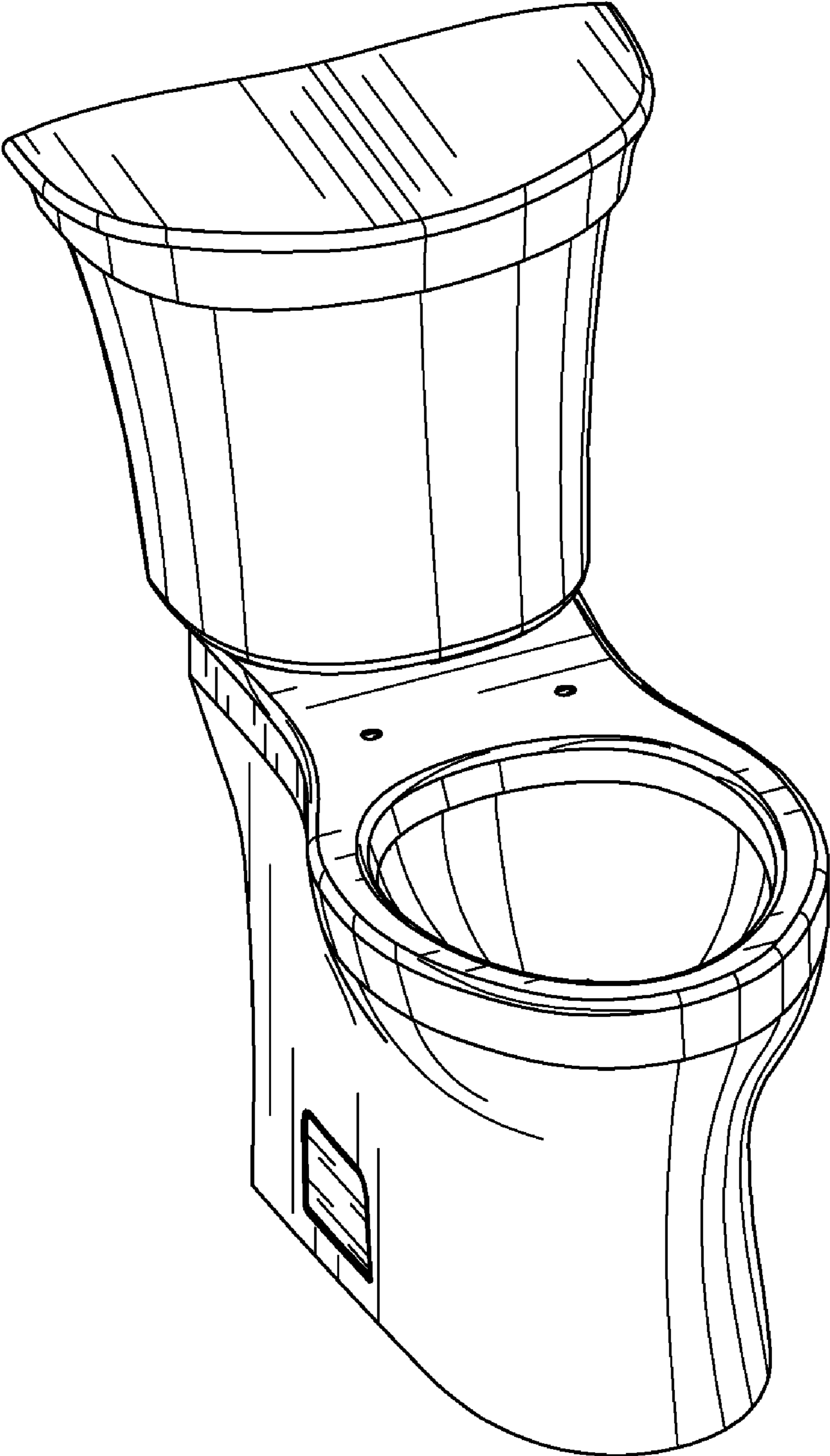


FIG. 1

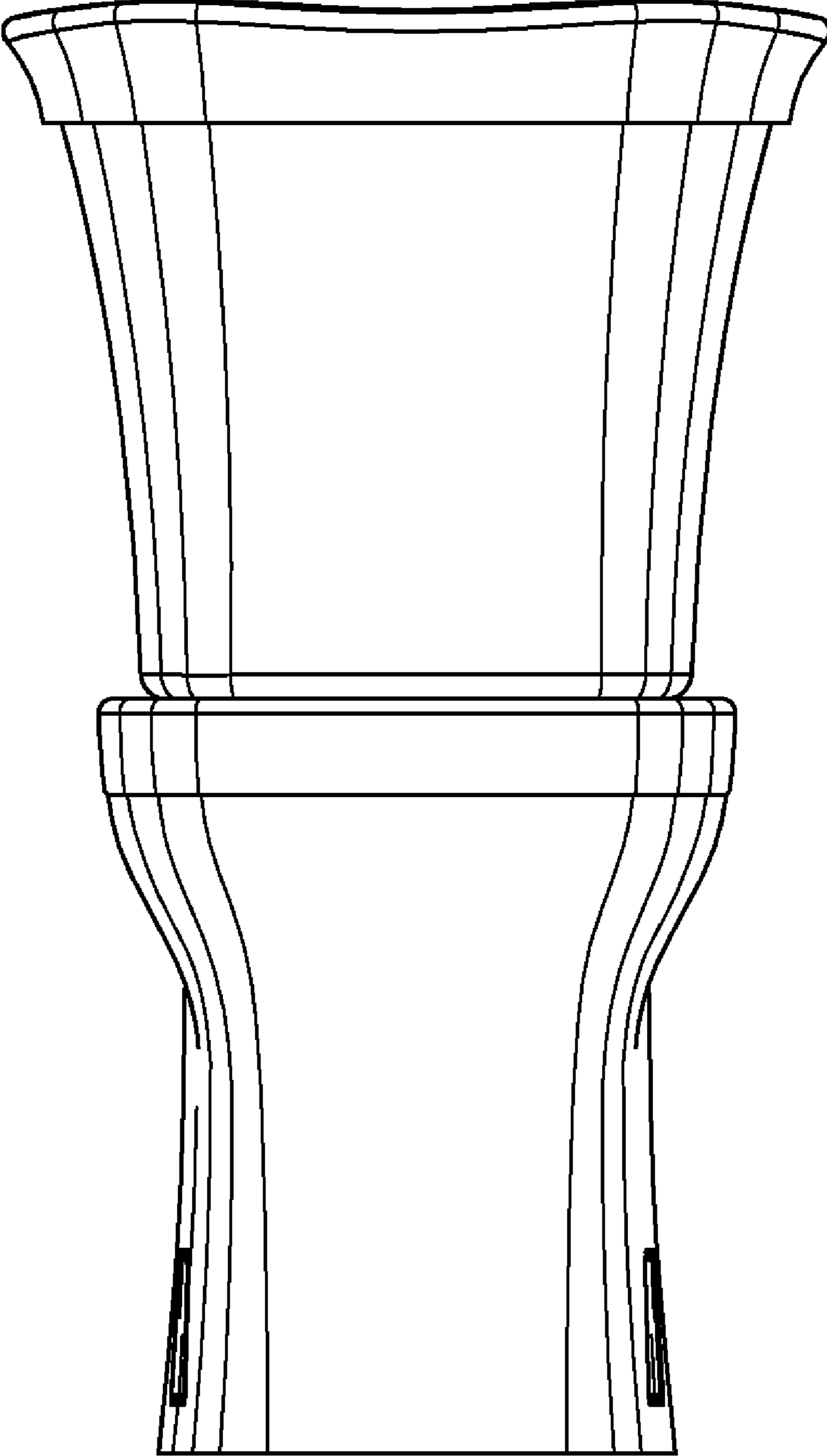


FIG. 2

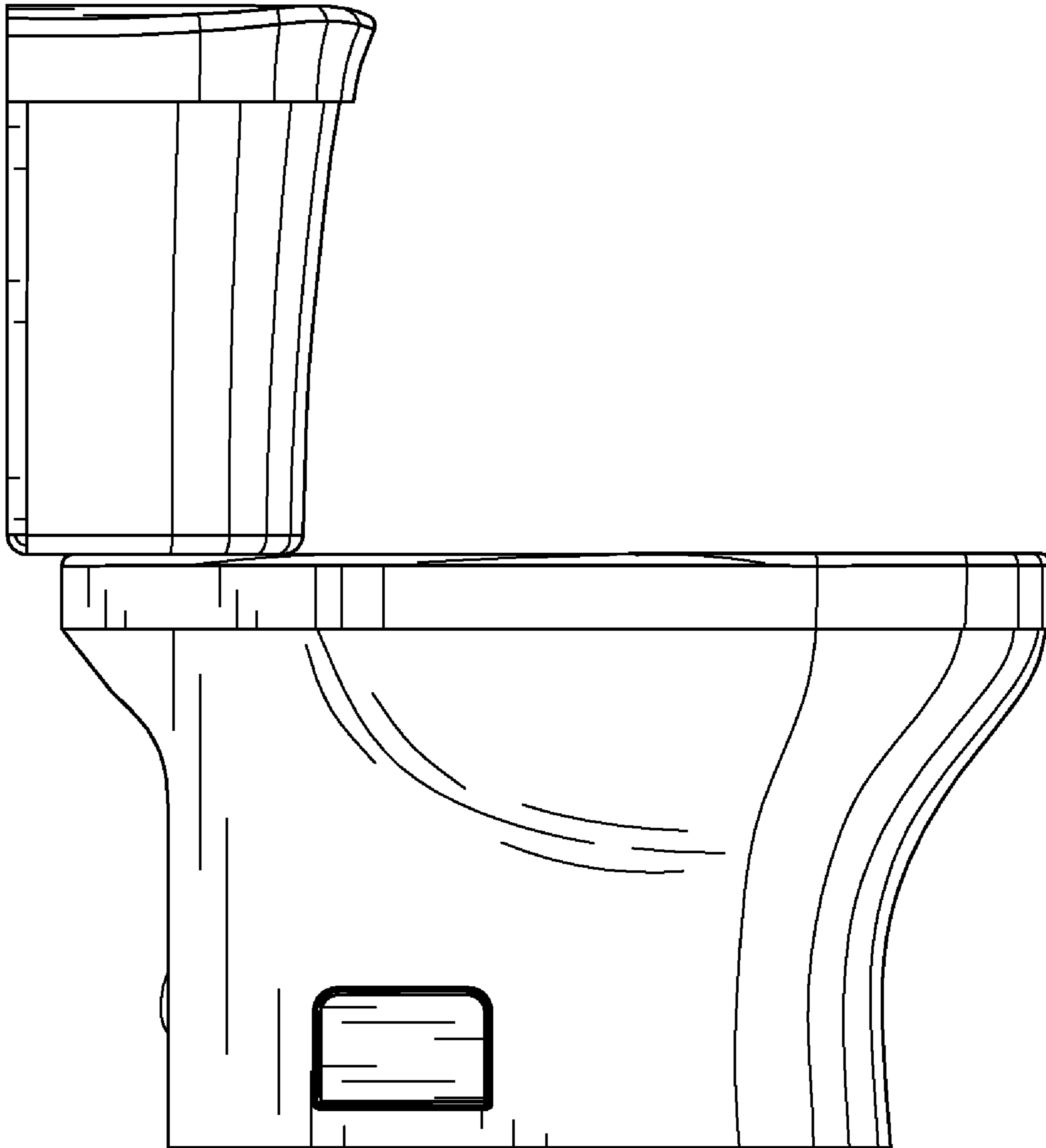


FIG. 3

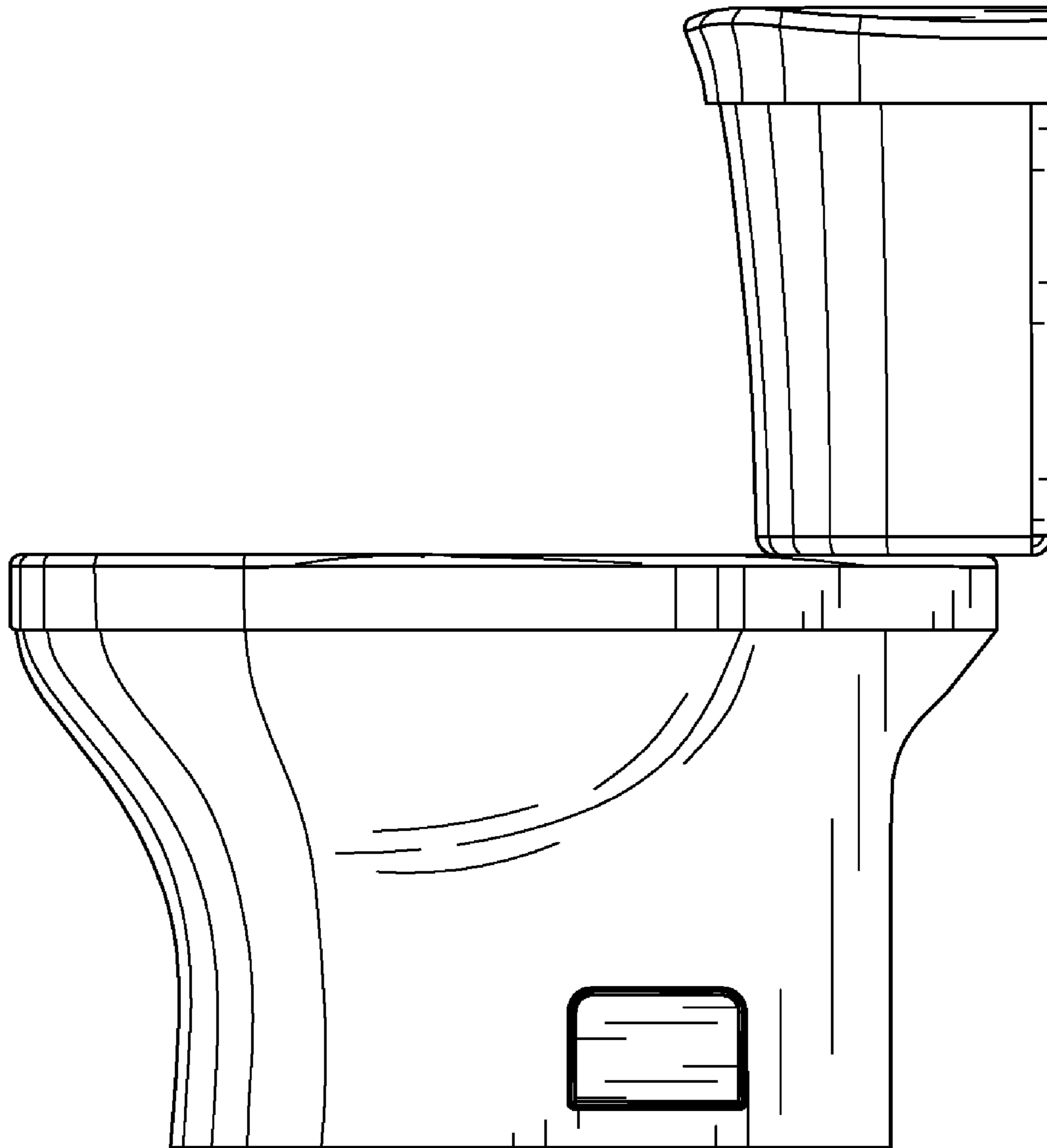


FIG. 4

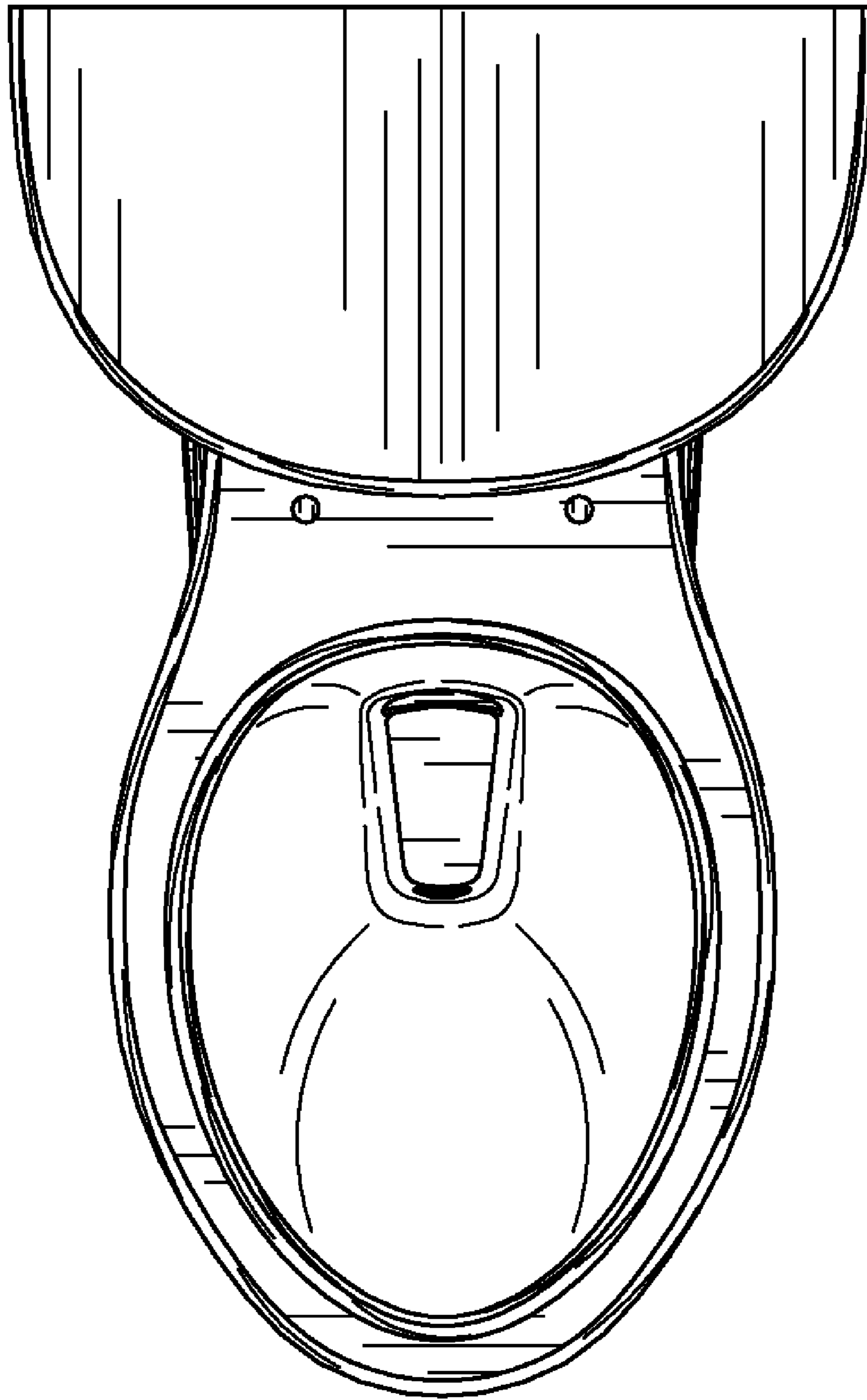


FIG. 5