



US00D578620S

(12) **United States Design Patent**
Zou et al.

(10) **Patent No.:** **US D578,620 S**
(45) **Date of Patent:** **** Oct. 14, 2008**

(54) **TOILET**

D556,870 S * 12/2007 Lin et al. D23/295

(75) Inventors: **Qiong Zou**, Weifang (CN); **Li-Min Hou**,
Weifang (CN)

* cited by examiner

(73) Assignee: **Globe Union Industrial Corp.**,
Taichung (TW)

Primary Examiner—Robert A Delehanty
(74) *Attorney, Agent, or Firm*—Leong C. Lei

(**) Term: **14 Years**

(57) **CLAIM**

(21) Appl. No.: **29/299,145**

The ornamental design for a toilet, as shown and described.

(22) Filed: **Dec. 20, 2007**

DESCRIPTION

(51) **LOC (8) Cl.** **23-02**

(52) **U.S. Cl.** **D23/301**

(58) **Field of Classification Search** D23/295,
D23/301, 303, 309, 299; 4/664, 300, 420,
4/DIG. 15

FIG. 1 is a front perspective view of a toilet showing my new design;

FIG. 2 is a front elevational view thereof;

FIG. 3 is a left side elevational view thereof;

FIG. 4 is a right side elevational view thereof; and,

FIG. 5 is a top plan view thereof.

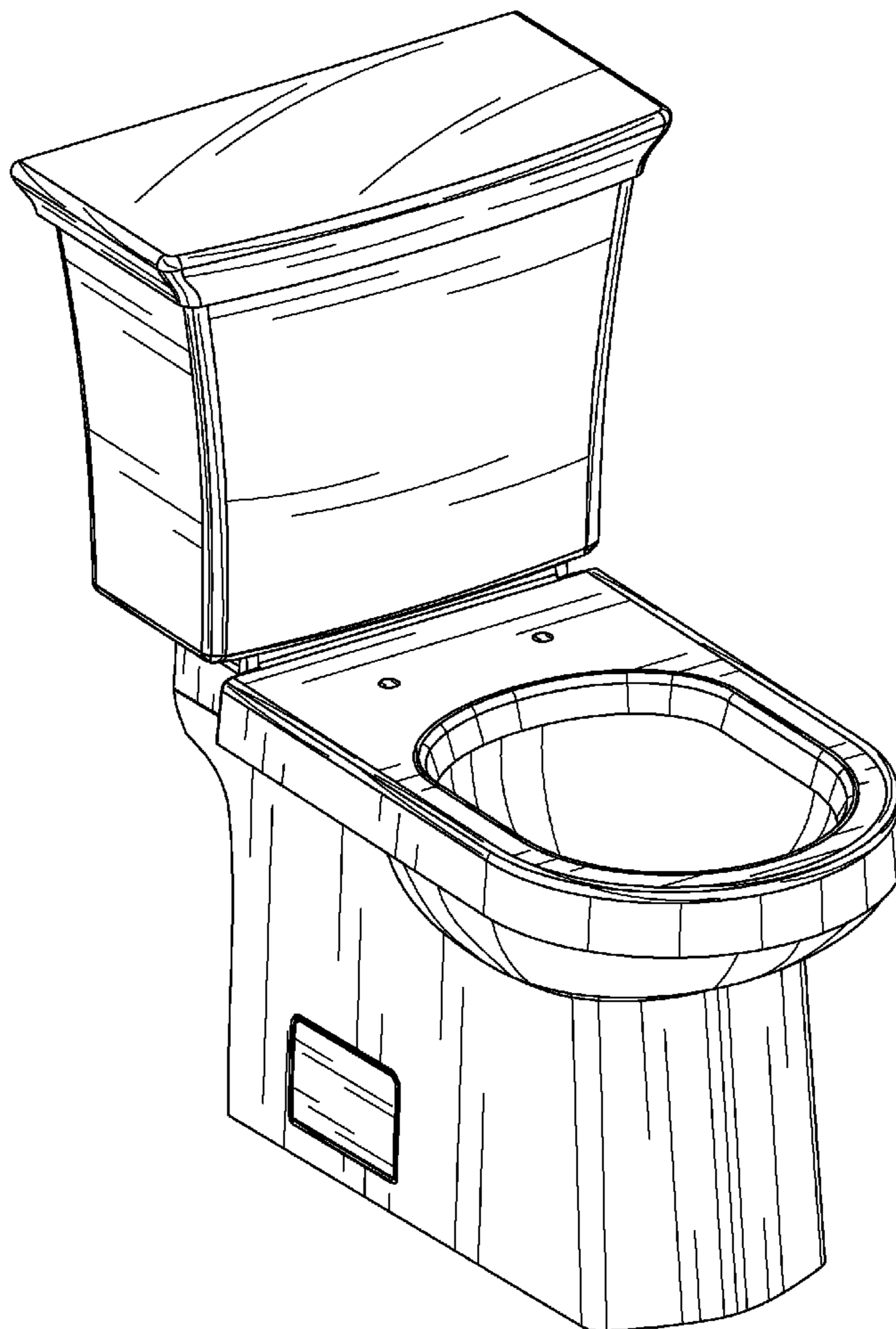
See application file for complete search history.

(56) **References Cited**

U.S. PATENT DOCUMENTS

D520,614 S * 5/2006 Tani D23/301

1 Claim, 5 Drawing Sheets



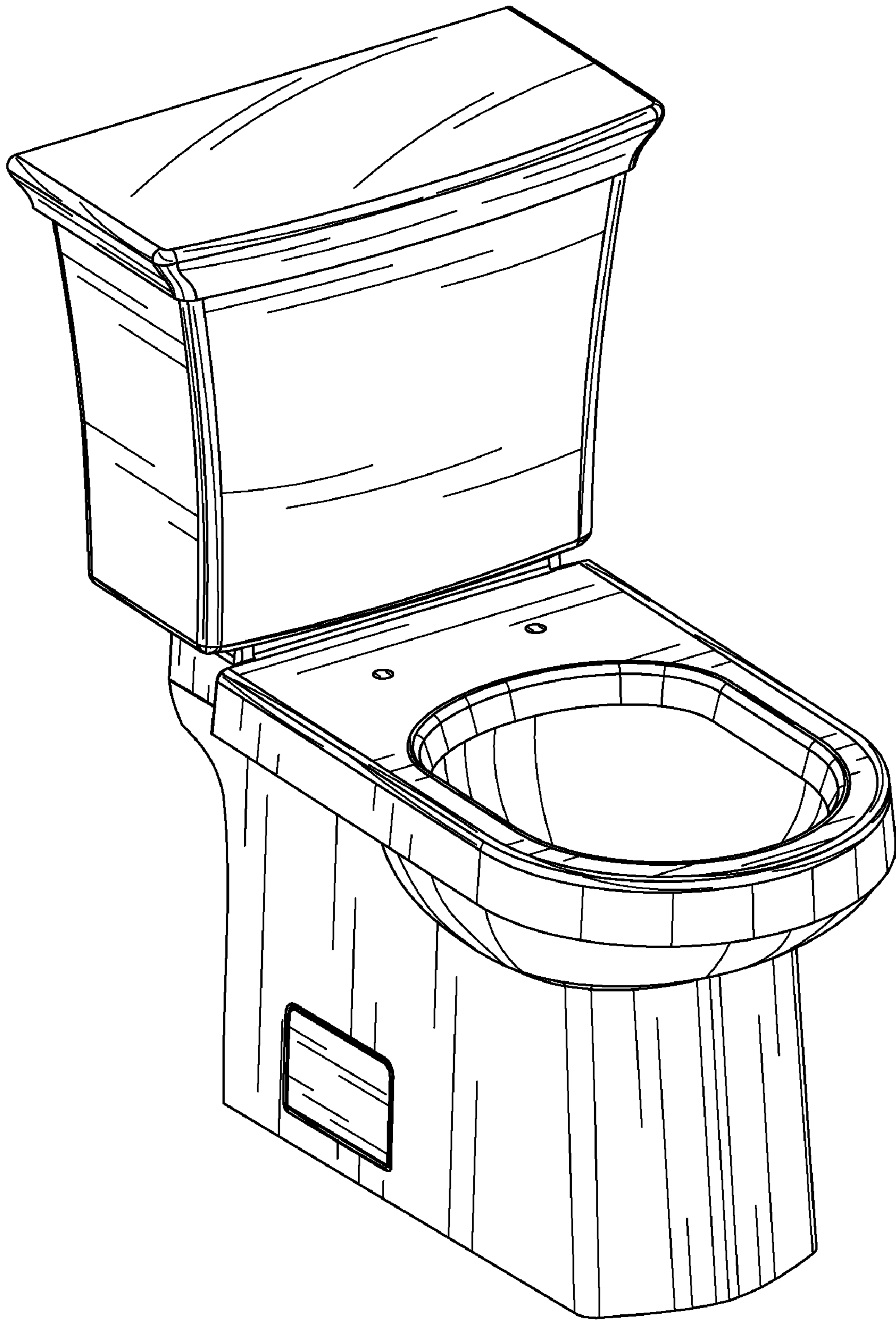


FIG. 1

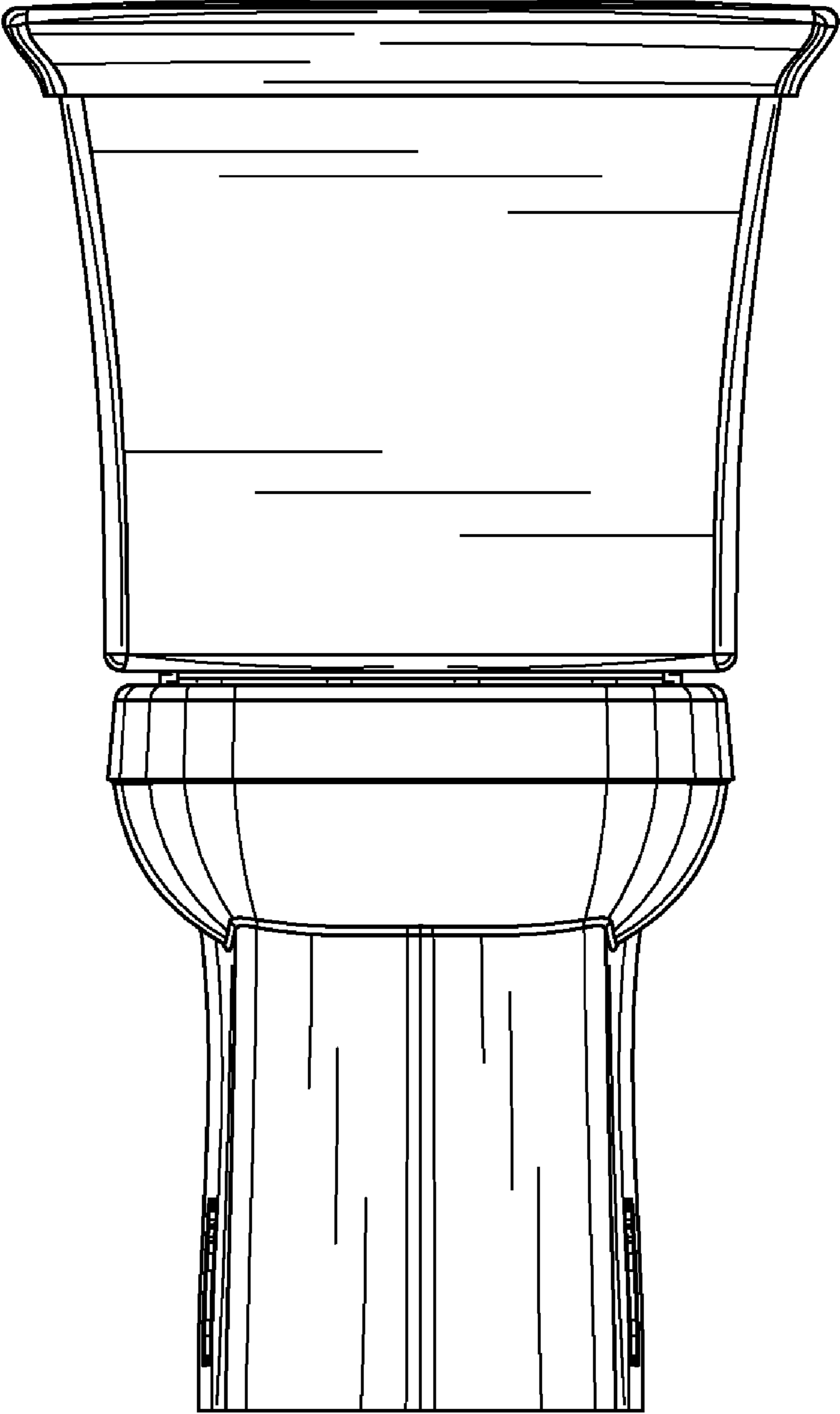


FIG. 2

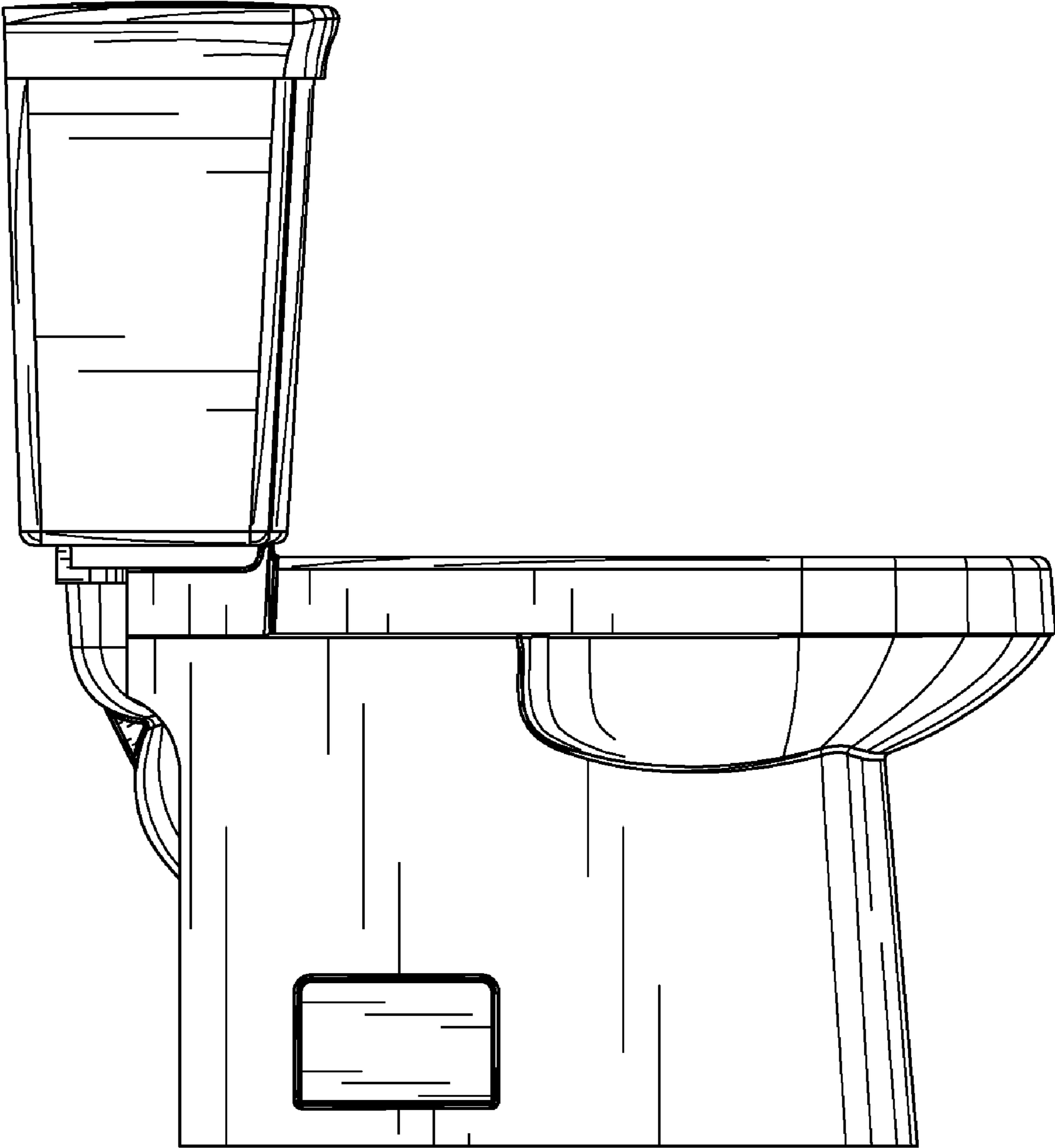


FIG. 3

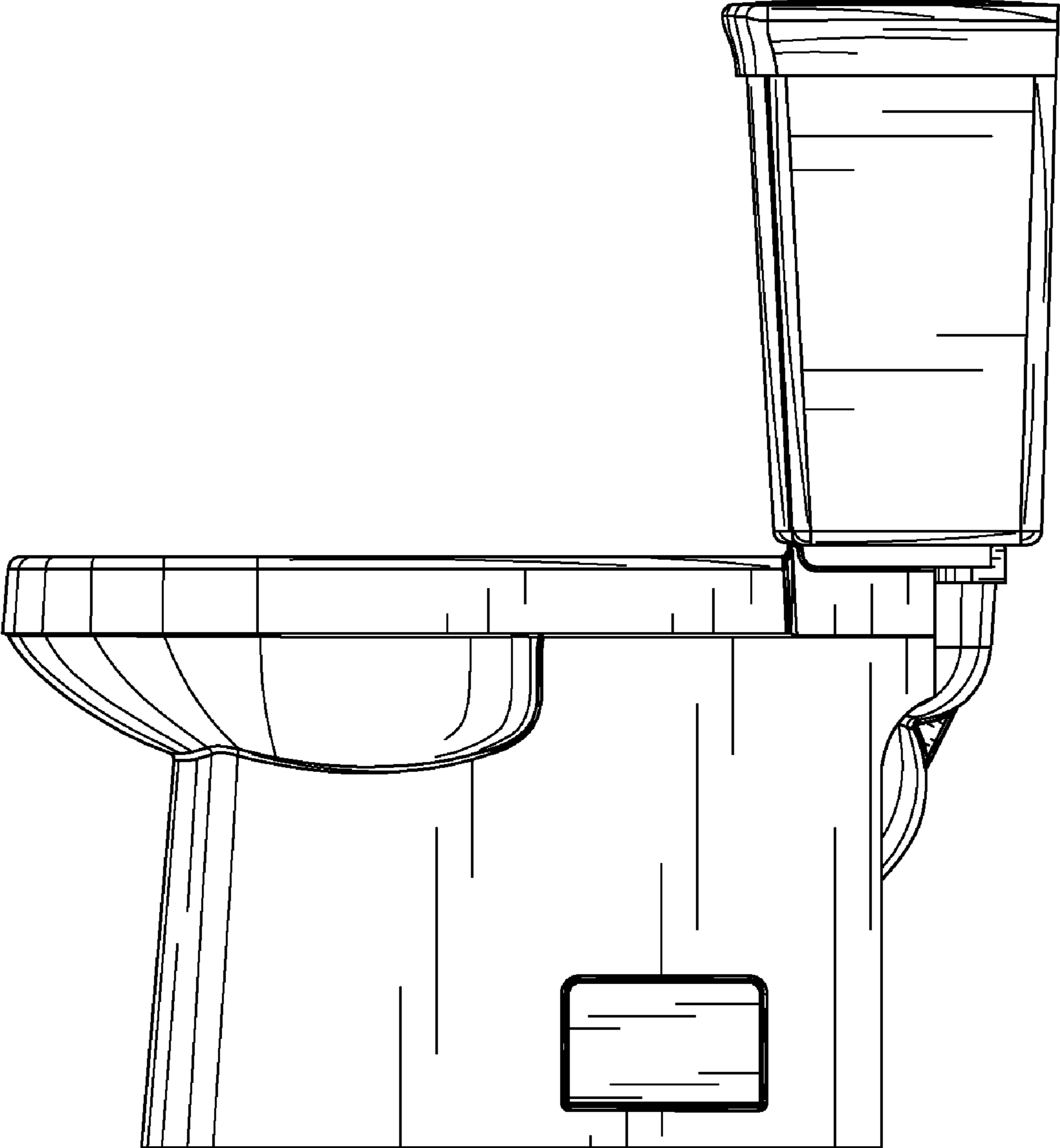


FIG. 4

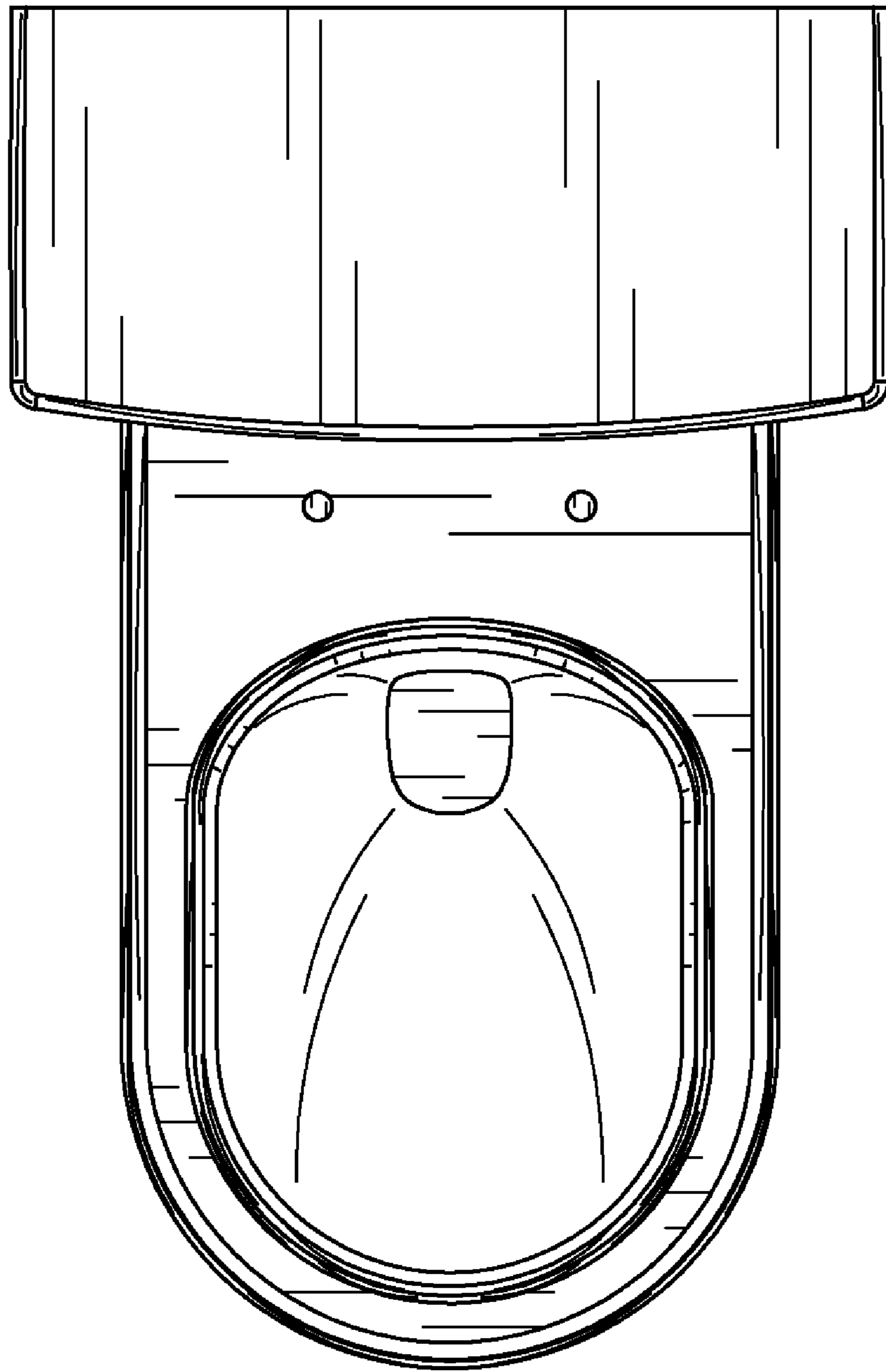


FIG. 5