



US00D578619S

(12) **United States Design Patent**
Rattenbury

(10) **Patent No.:** **US D578,619 S**

(45) **Date of Patent:** **** Oct. 14, 2008**

(54) **SIPHONIC ROOF DRAIN**

(75) Inventor: **John M. Rattenbury**, Cohasset, MA
(US)

(73) Assignee: **Rainwater Management Solutions**,
Salem, VA (US)

(**) Term: **14 Years**

(21) Appl. No.: **29/298,075**

(22) Filed: **Nov. 28, 2007**

(51) **LOC (8) Cl.** **23-01**

(52) **U.S. Cl.** **D23/261**

(58) **Field of Classification Search** D23/259-269;
52/12, 302.7; 4/286; 285/42; 210/163
See application file for complete search history.

(56) **References Cited**

U.S. PATENT DOCUMENTS

1,761,257	A *	6/1930	Fleming	210/166
1,791,512	A	2/1931	Schurman		
2,142,343	A *	1/1939	Boosey	210/166
2,689,017	A	9/1954	Schmid		
2,837,212	A	6/1958	Schmid		
3,357,561	A	12/1967	Schmid et al.		
3,469,698	A	9/1969	Blendermann		
4,112,691	A	9/1978	Ebeling et al.		
4,652,365	A	3/1987	Ebeling		
D318,101	S *	7/1991	Rodgers	D23/259
5,469,670	A *	11/1995	Thaler	52/12
5,722,791	A *	3/1998	Dallmer	405/52
5,735,091	A *	4/1998	Hawkins et al.	52/302.7
5,966,884	A	10/1999	Uglow		
D460,810	S *	7/2002	Sommerhein	D23/261

7,011,746	B2	3/2006	Bockmann
2003/0141231	A1	7/2003	Rattenbury et al.
2004/0182763	A1	9/2004	Bockmann

FOREIGN PATENT DOCUMENTS

GB	2 269 402	2/1994
GB	2 354 014	3/2001

* cited by examiner

Primary Examiner—Ian Simmons

Assistant Examiner—Eric L Goodman

(74) *Attorney, Agent, or Firm*—Charles S. Sara, Esq.; Dewitt
Ross & Stevens S.C.

(57) **CLAIM**

The ornamental design for a siphonic roof drain, as shown and described.

DESCRIPTION

FIG. 1 is a perspective view from above of the siphonic roof drain showing my new design thereof. The leaf guard is shown in broken lines for illustrative purposes only and forms no part of the claimed design.

FIG. 2 is a perspective view from above thereof.

FIG. 3 is a front elevational view thereof.

FIG. 4 is a rear elevational view thereof.

FIG. 5 is a first side elevational view thereof.

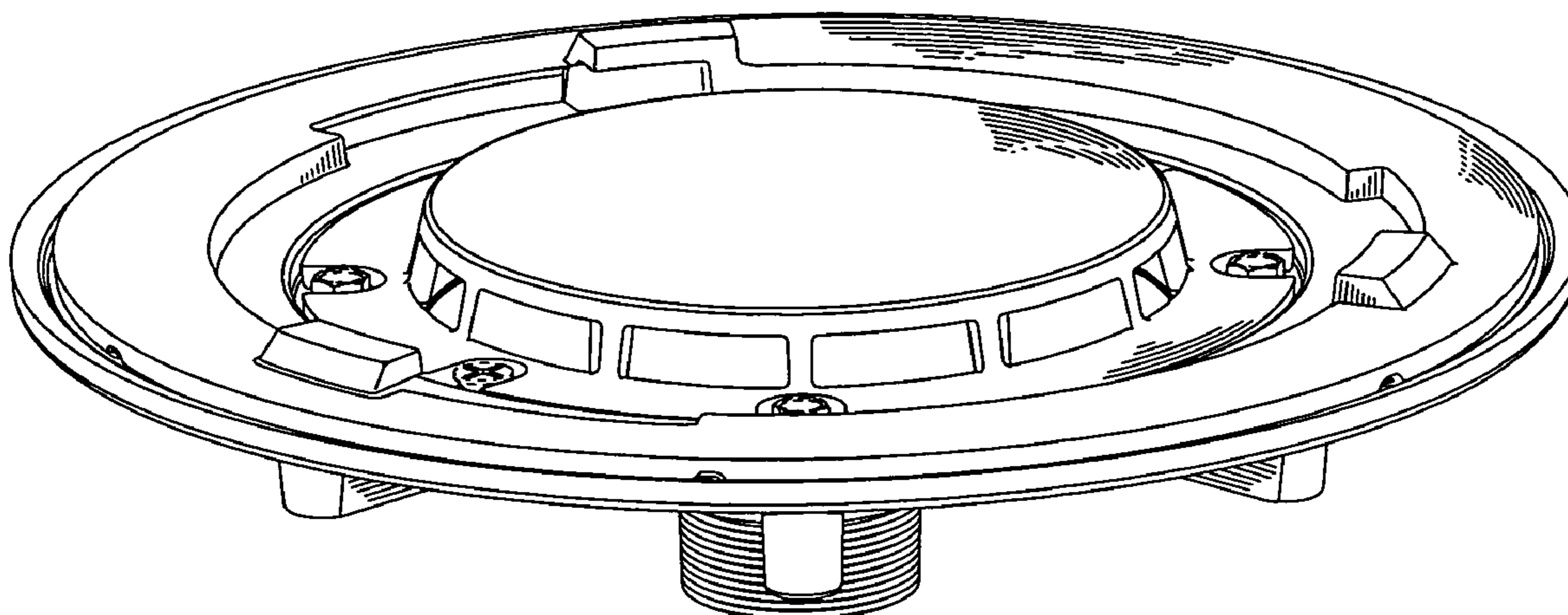
FIG. 6 is a second side elevational view thereof.

FIG. 7 is a top plan view thereof; and,

FIG. 8 is a bottom plan view thereof.

The broken line shown is for illustrative purposes only and forms no part of the claimed design.

1 Claim, 4 Drawing Sheets



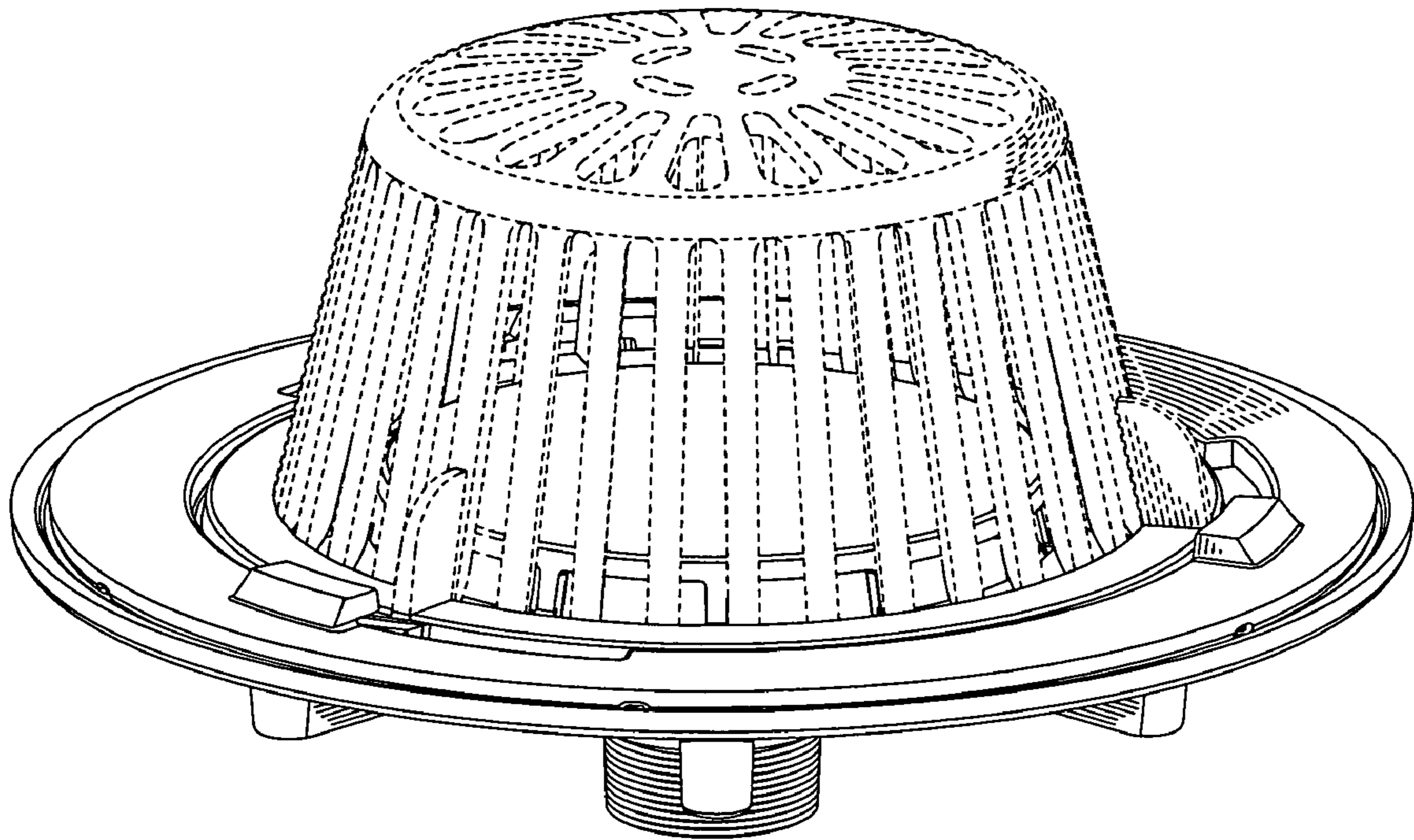


FIG. 1

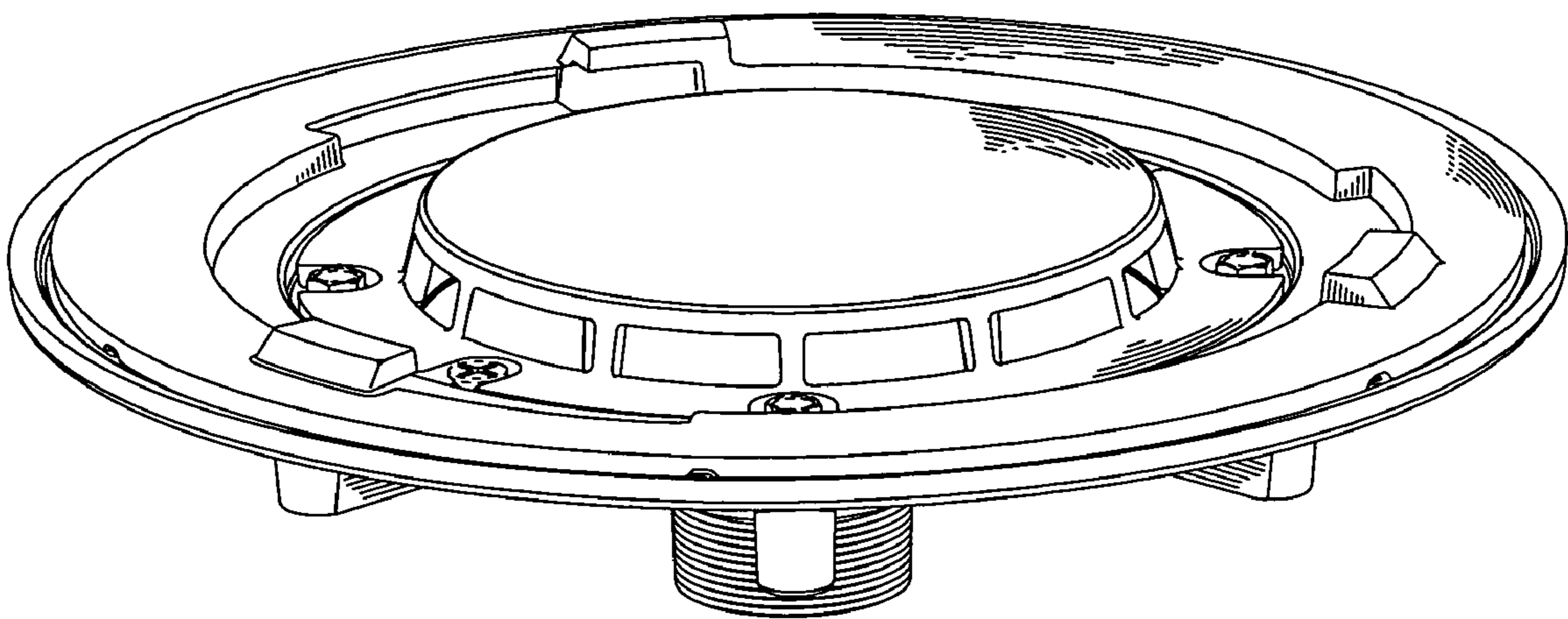


FIG. 2

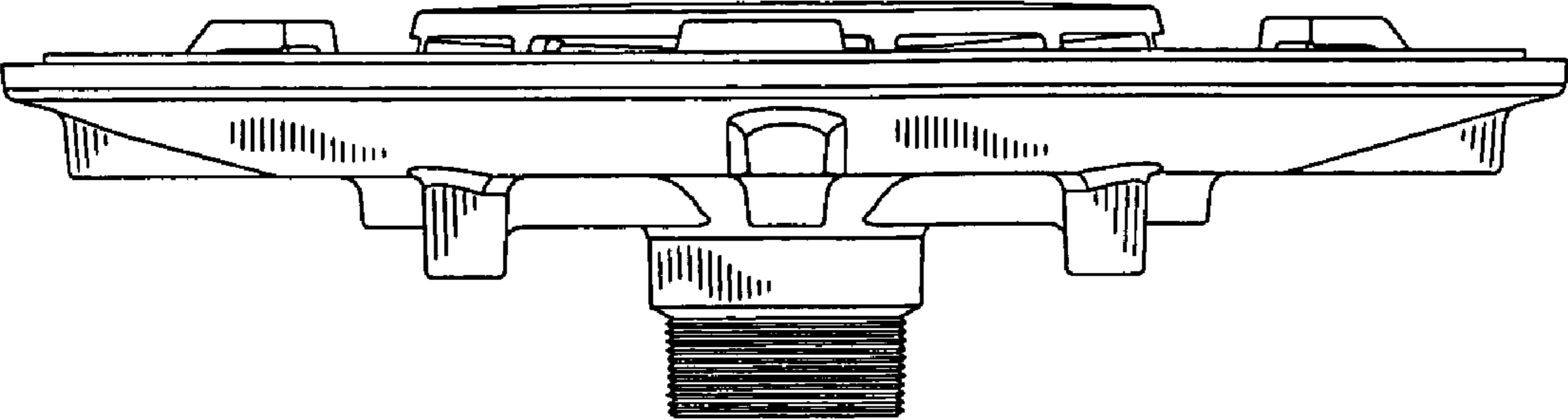


FIG. 3

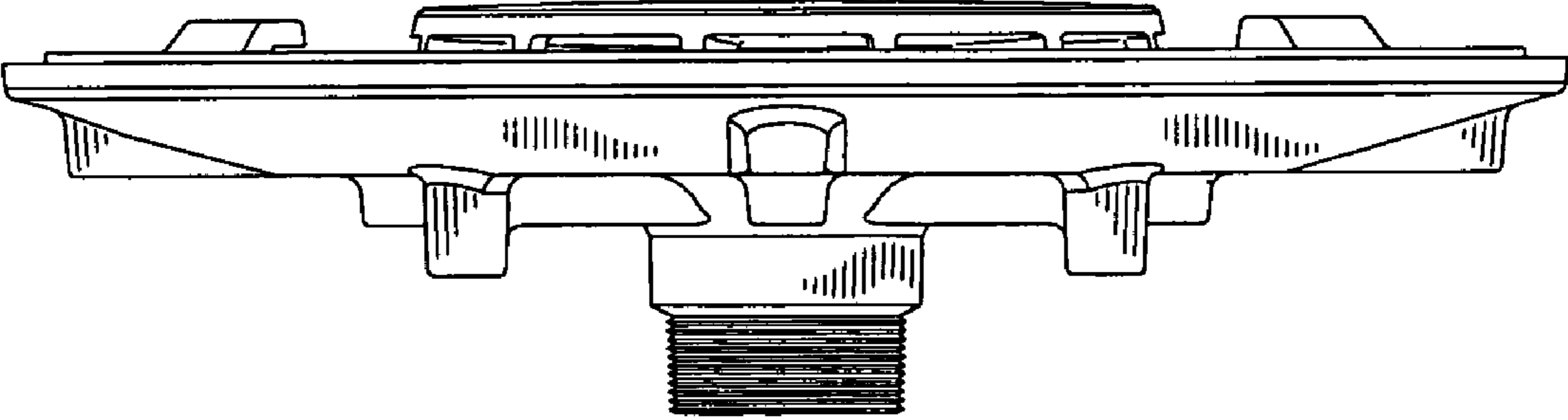


FIG. 4

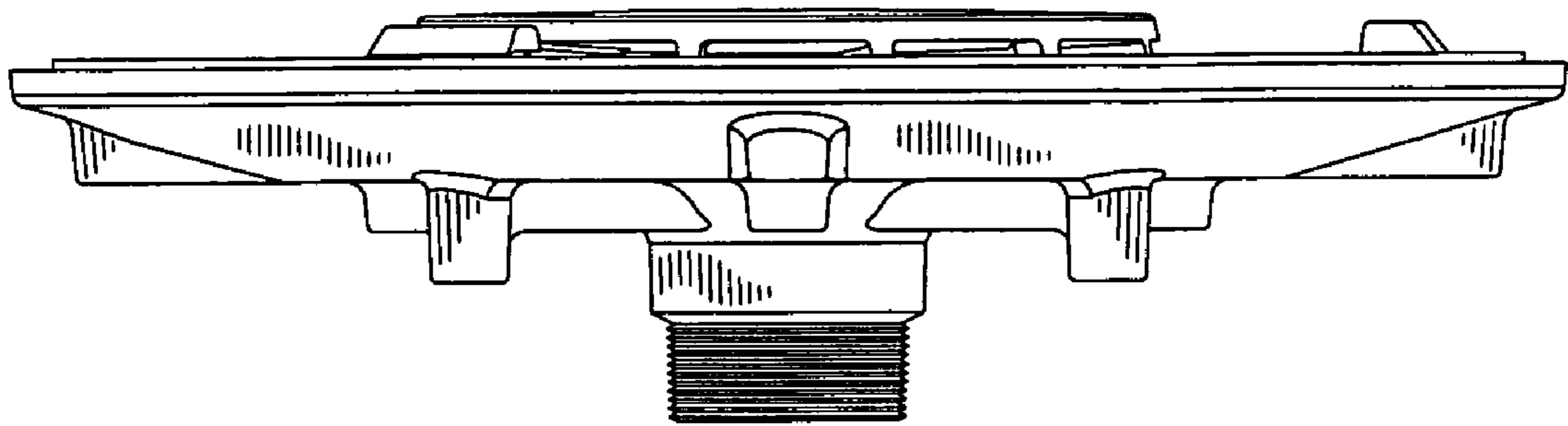


FIG. 5

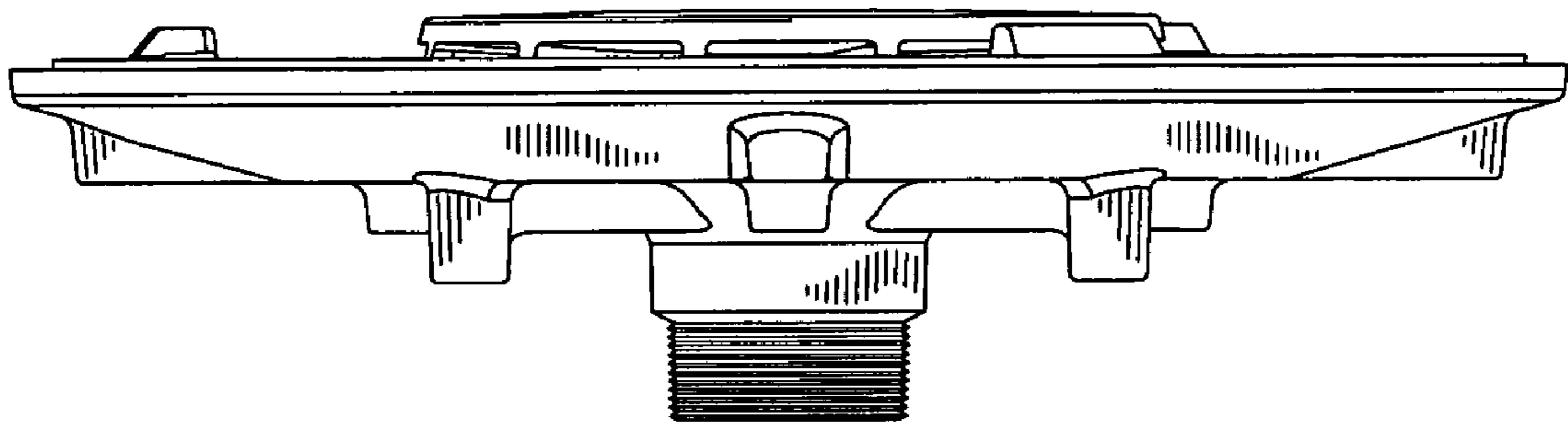


FIG. 6

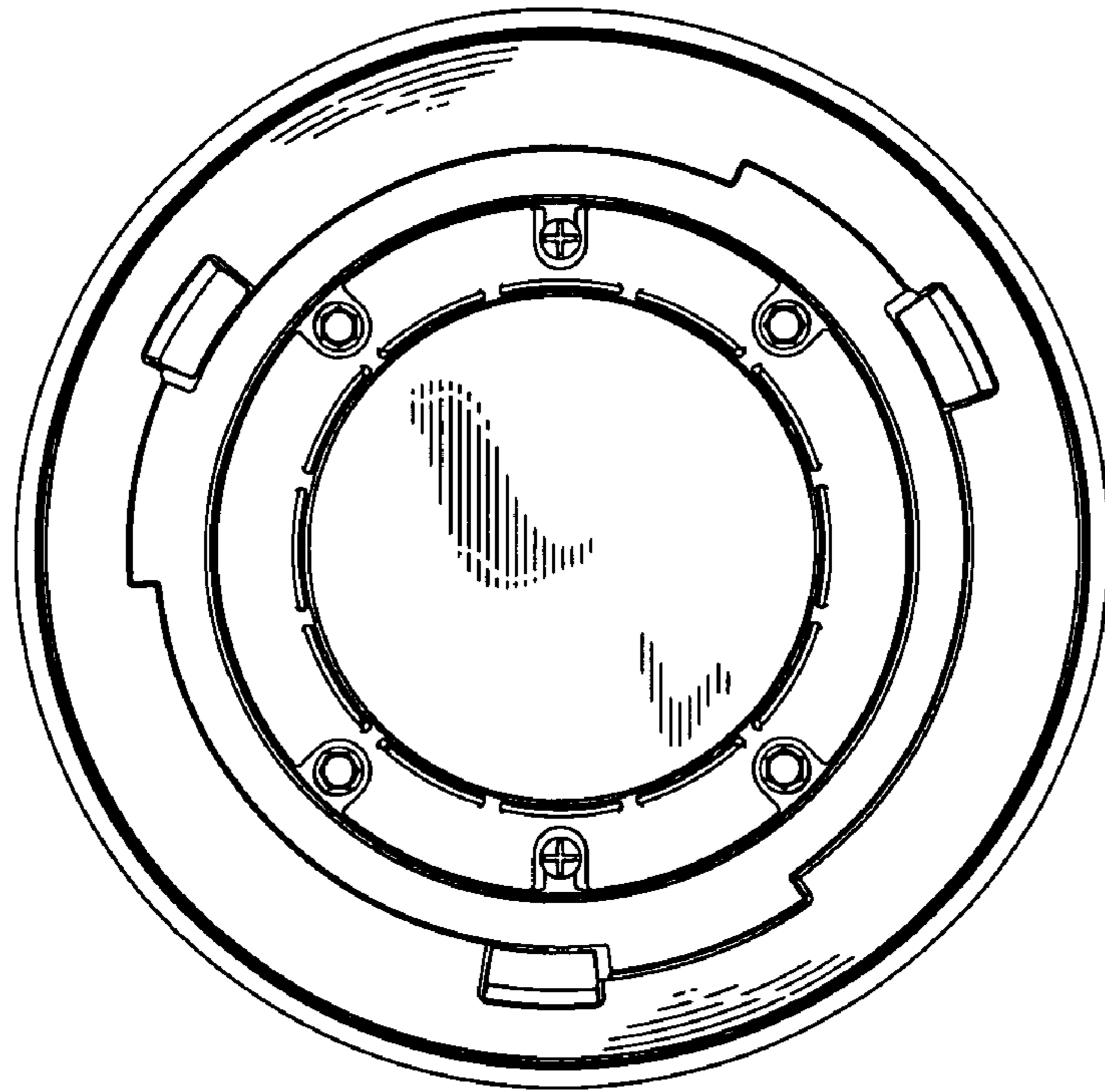


FIG. 7

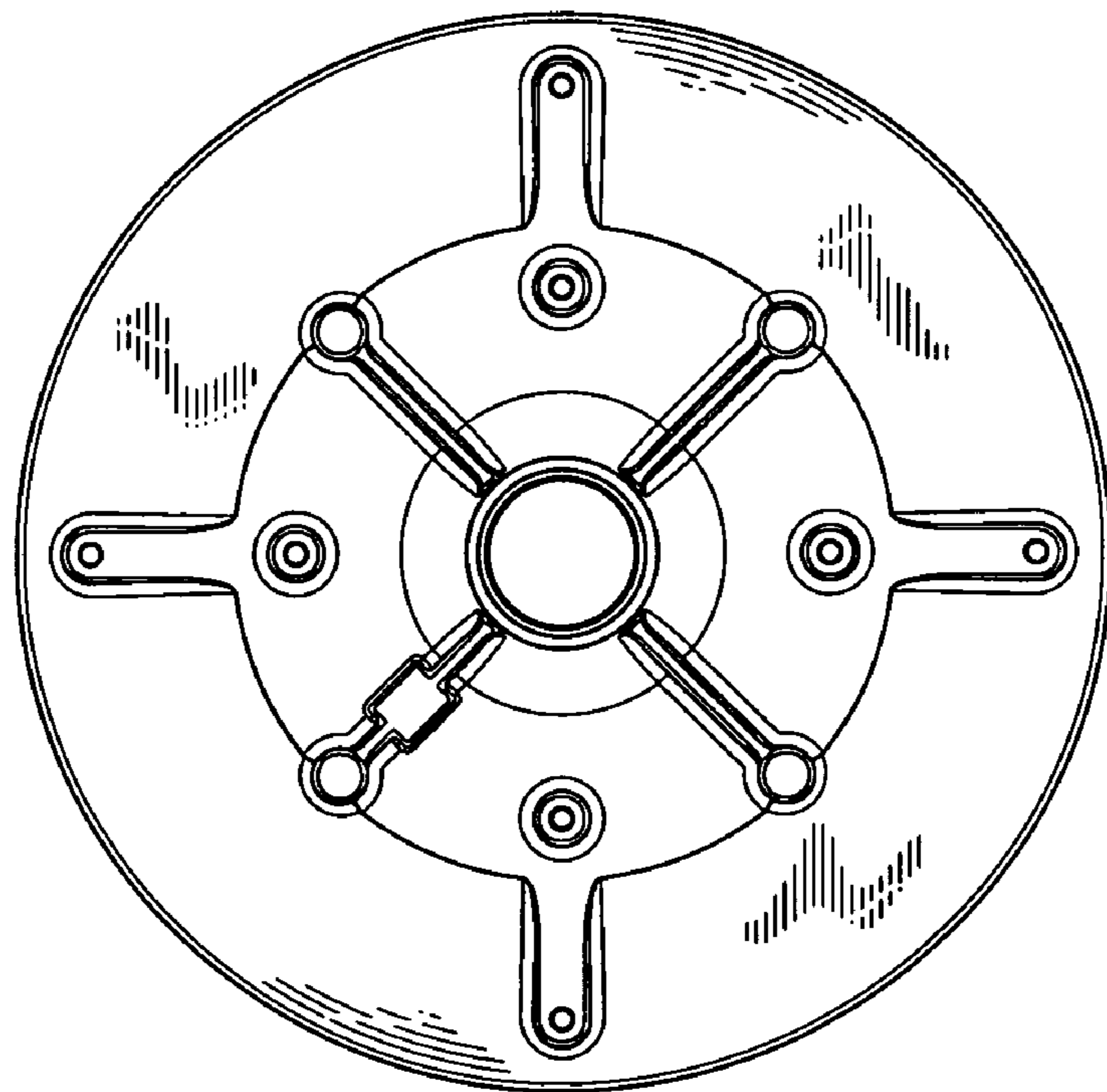


FIG. 8