



US00D578618S

(12) **United States Design Patent**  
**Williams**

(10) **Patent No.:** **US D578,618 S**  
(45) **Date of Patent:** **\*\* Oct. 14, 2008**

(54) **FAUCET SPOUT TIP**

(75) Inventor: **Emilie Williams**, Chicago, IL (US)

(73) Assignee: **Masco Corporation of Indiana**,  
Indianapolis, IN (US)

(\*\*) Term: **14 Years**

(21) Appl. No.: **29/302,168**

(22) Filed: **Jan. 11, 2008**

(51) **LOC (8) Cl.** ..... **23-01**

(52) **U.S. Cl.** ..... **D23/255**

(58) **Field of Classification Search** ..... D23/255-257,  
D23/238-243; 4/675-678; 137/801  
See application file for complete search history.

(56) **References Cited**

**U.S. PATENT DOCUMENTS**

- 6,085,790 A \* 7/2000 Humpert et al. .... 137/801
- D478,157 S \* 8/2003 Yegyayan ..... D23/255
- 6,810,539 B2 \* 11/2004 Bosio ..... 4/678
- D533,922 S \* 12/2006 Miao ..... D23/238

D567,912 S \* 4/2008 Juratovac et al. .... D23/255

\* cited by examiner

*Primary Examiner*—Robert A Delehanty

(74) *Attorney, Agent, or Firm*—Leon E. Redman; Lloyd D. Doigan

(57) **CLAIM**

The ornamental design for a faucet spout tip, as shown and described.

**DESCRIPTION**

FIG. 1 is a front perspective view of a faucet spout tip showing my new design;

FIG. 2 is a front elevational view thereof;

FIG. 3 is a rear elevational view thereof;

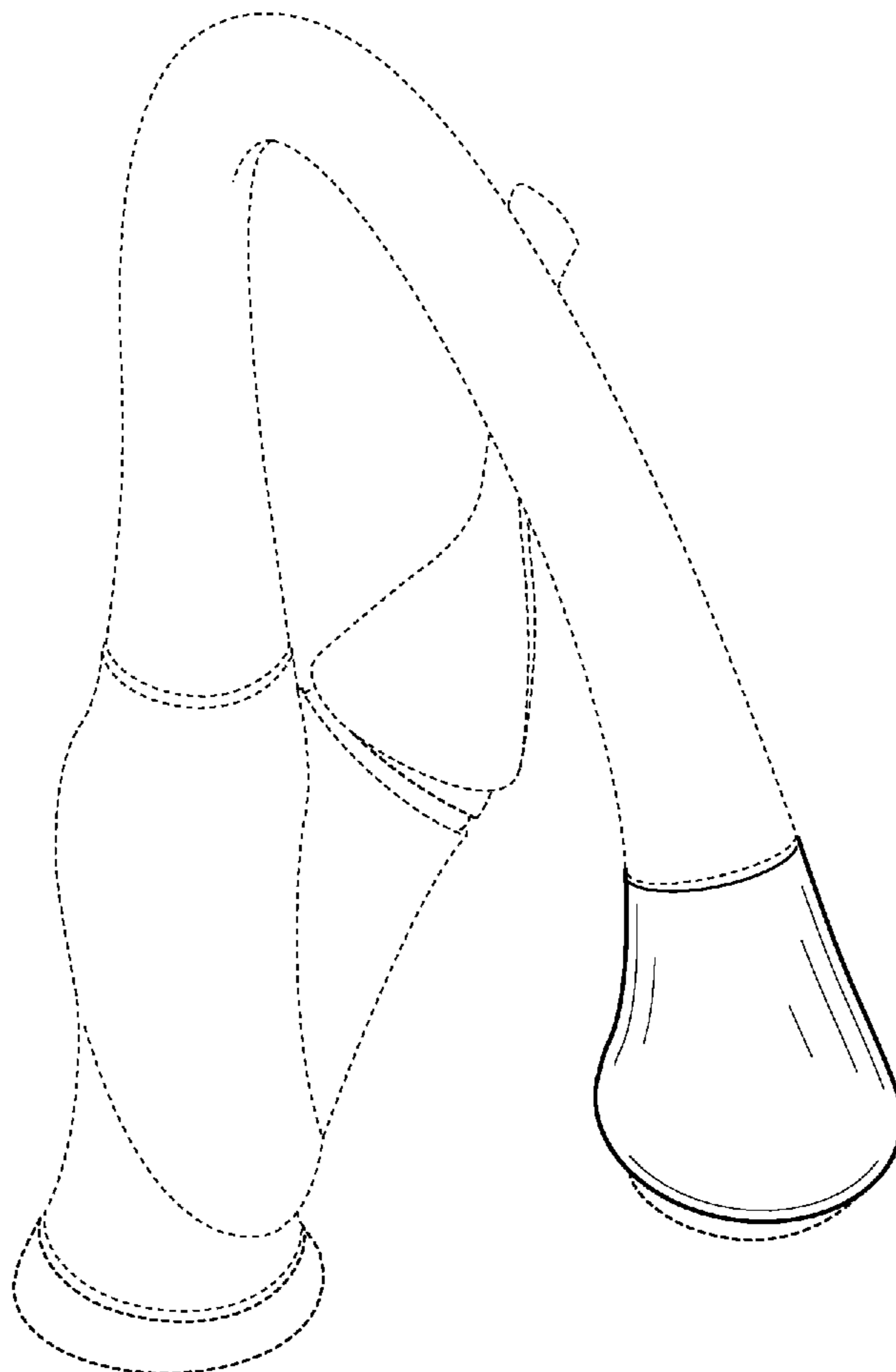
FIG. 4 is a right side elevational view thereof;

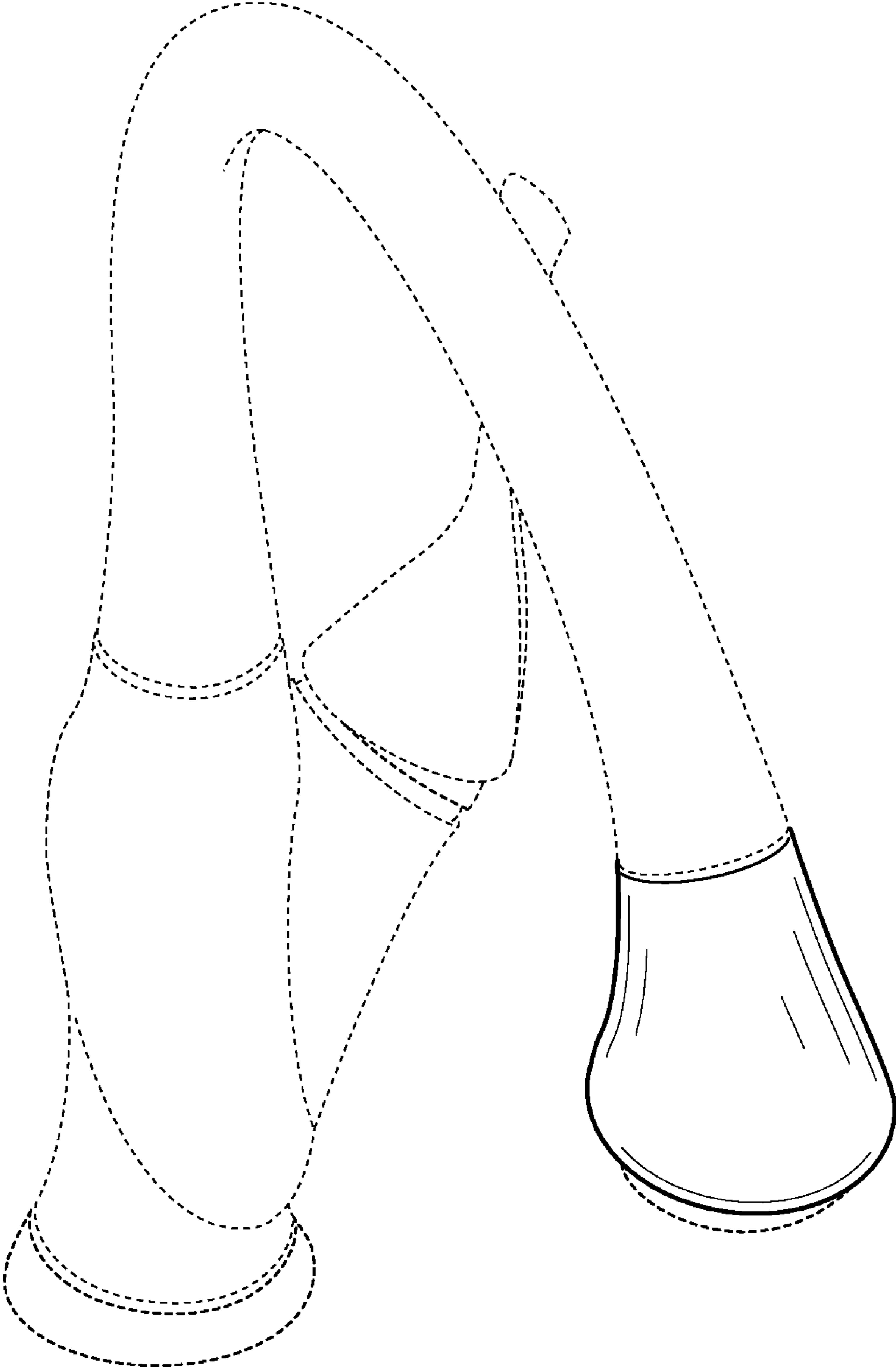
FIG. 5 is a left side elevational view thereof; and,

FIG. 6 is a top plan view thereof.

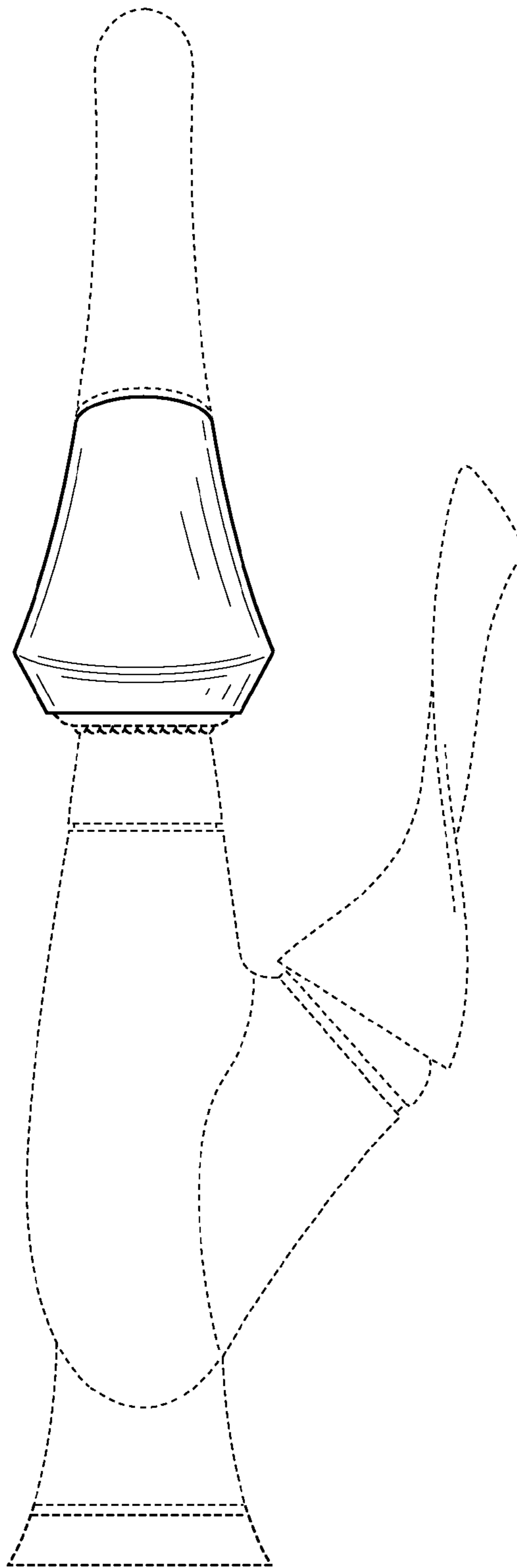
The broken lines in the Figures are for illustrative purposes only and form no part of the claimed design.

**1 Claim, 6 Drawing Sheets**

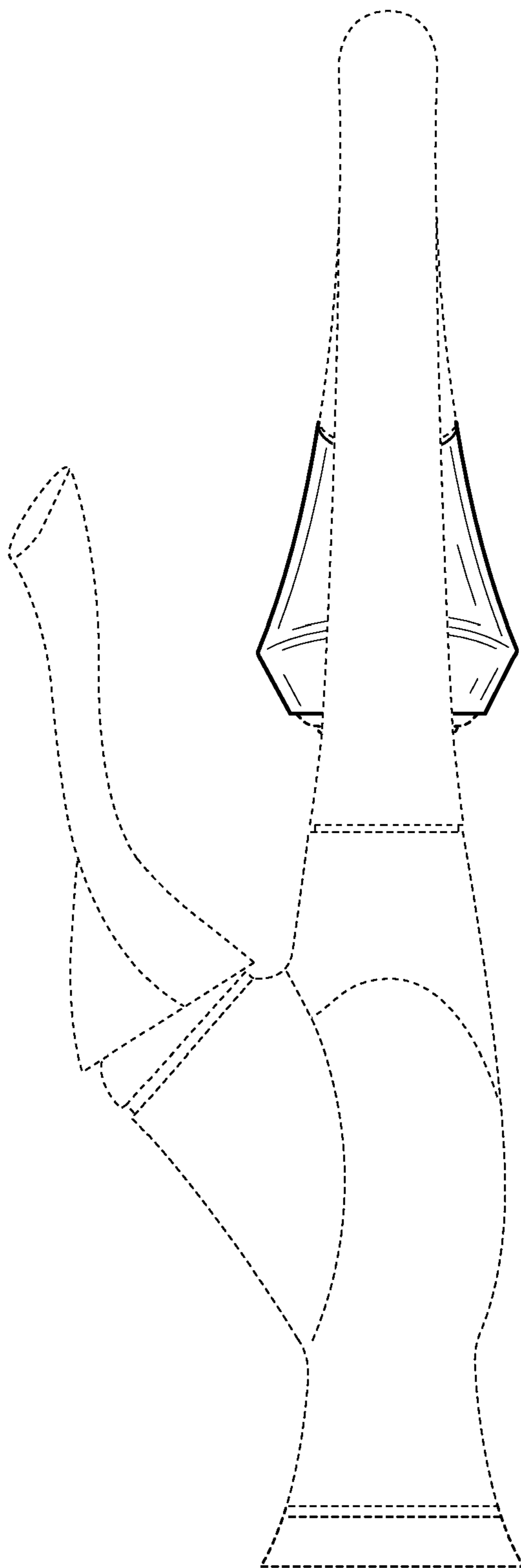




**FIG. 1**



**FIG. 2**



**FIG. 3**

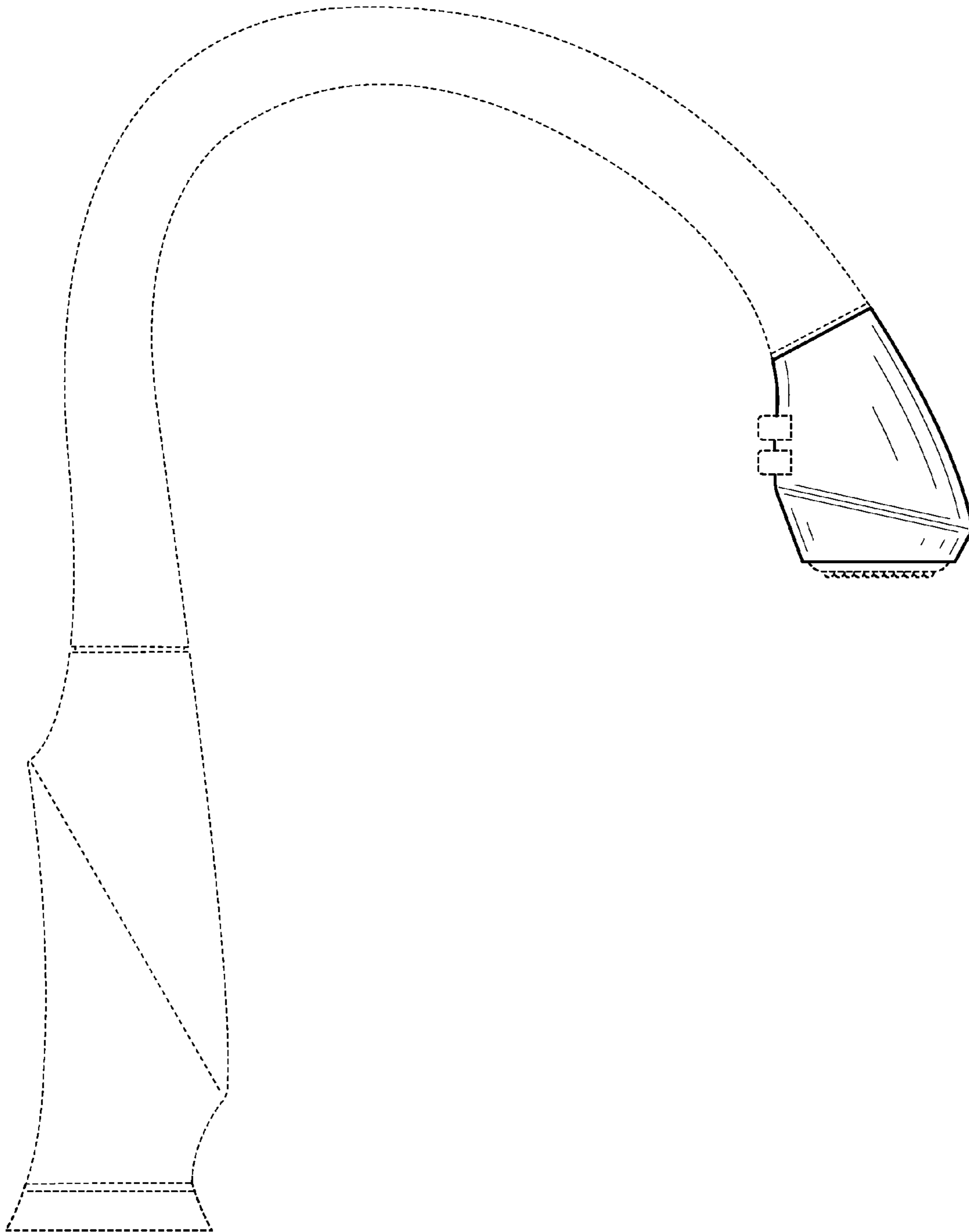


FIG. 4

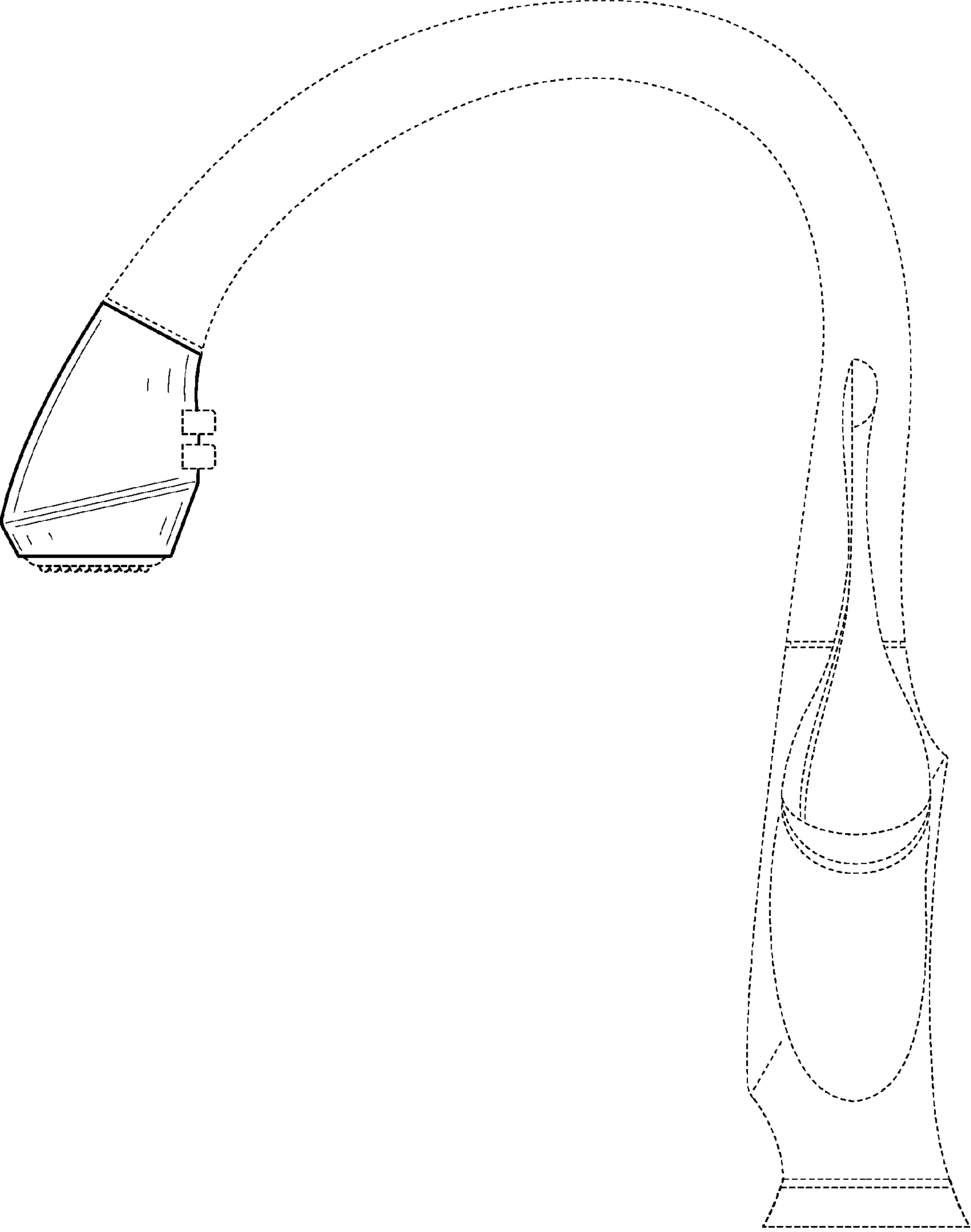


FIG. 5



**FIG. 6**