



US00D578615S

(12) **United States Design Patent**
Fernandez et al.

(10) **Patent No.:** **US D578,615 S**
(45) **Date of Patent:** **** Oct. 14, 2008**

(54) **FAUCET HANDLE**

D510,612 S * 10/2005 Lammel et al. D23/241
D511,371 S * 11/2005 Chen D23/241

(75) Inventors: **Jordi Sanz Fernandez**, Sant Joan Despi (ES); **Xavier Ferret Picazo**, Sant Joan Despi (ES)

* cited by examiner

(73) Assignee: **Industrias Ramin Soler, S.A.**, Saint Joan Despi (Barcelona) (ES)

Primary Examiner—Robert A Delehanty
(74) *Attorney, Agent, or Firm*—WolfBlock LLP

(**) Term: **14 Years**

(57) **CLAIM**

(21) Appl. No.: **29/279,145**

We claim the ornamental design for a faucet handle, as shown and described.

(22) Filed: **Apr. 20, 2007**

(30) **Foreign Application Priority Data**

DESCRIPTION

Oct. 20, 2006 (EP) 000608278

(51) **LOC (8) Cl.** **23-01**

(52) **U.S. Cl.** **D23/250**

(58) **Field of Classification Search** D23/250–257,
D23/238–243, 244–249; 4/675–678; D8/300,
D8/307–308, 310–312, 321; D6/550; 137/801;
16/110.1, 441

FIG. 1 illustrates a perspective view of a faucet handle showing a first embodiment of our new design;

FIG. 2 illustrates a top plan view of a faucet handle showing a first embodiment of our new design;

FIG. 3 illustrates a front elevational view of a faucet handle showing a first embodiment of our new design; and,

FIG. 4 illustrates a bottom plan view of a faucet handle showing a first embodiment of our new design.

See application file for complete search history.

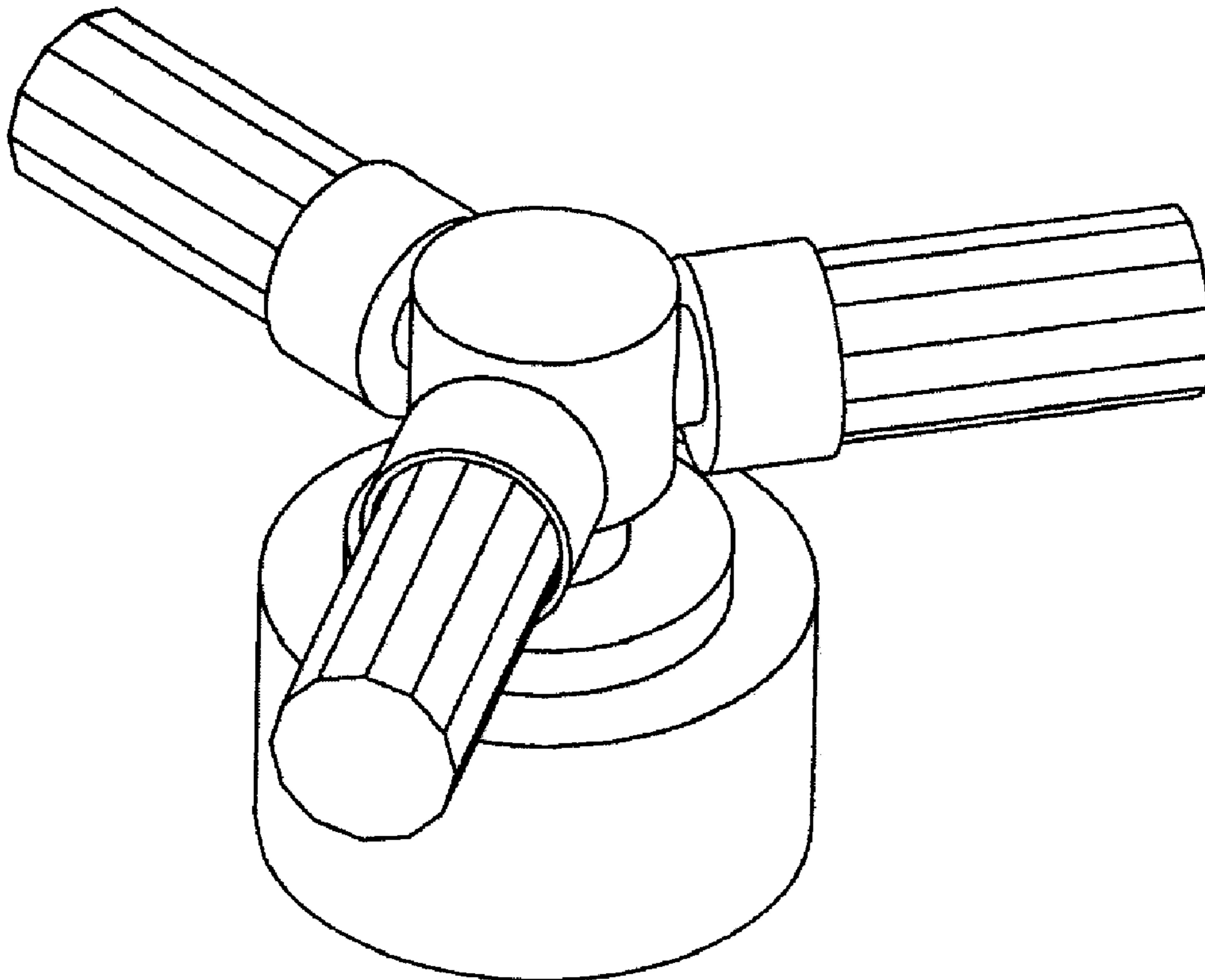
The rear elevational view not shown is a mirror image of the front elevational view.

(56) **References Cited**

U.S. PATENT DOCUMENTS

D373,179 S * 8/1996 Sieger D23/241
D461,527 S * 8/2002 Ko D23/241

1 Claim, 2 Drawing Sheets



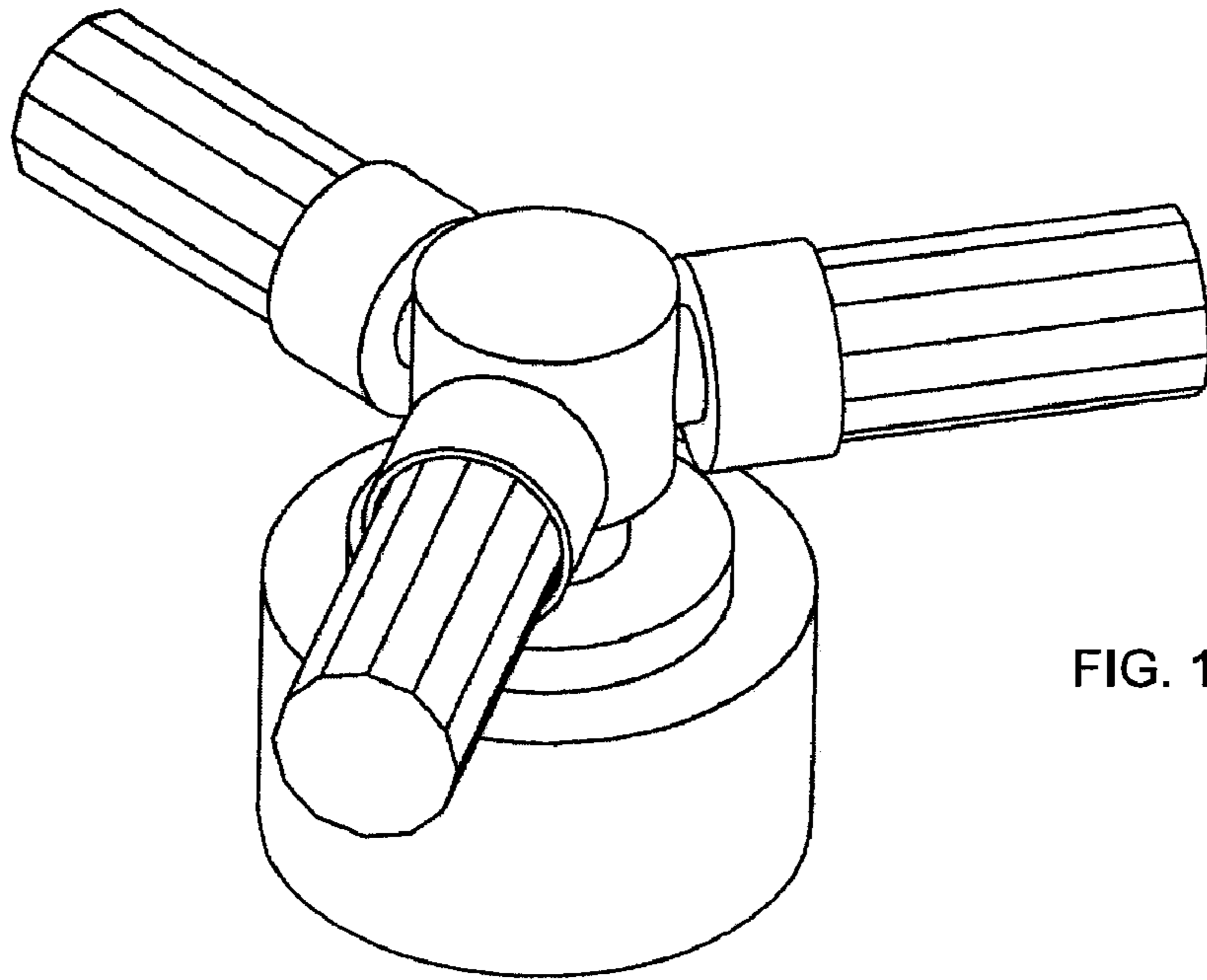


FIG. 1

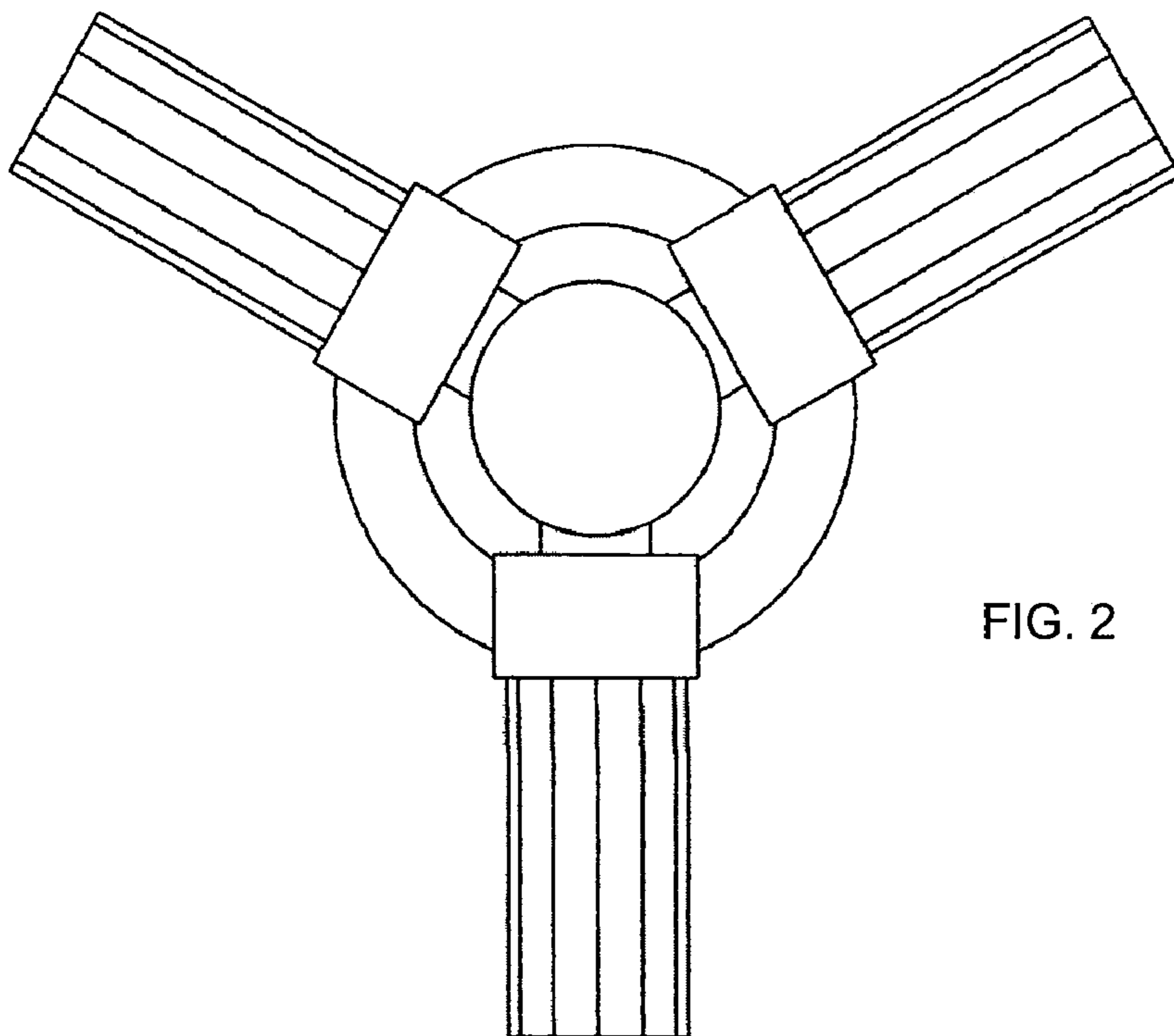


FIG. 2

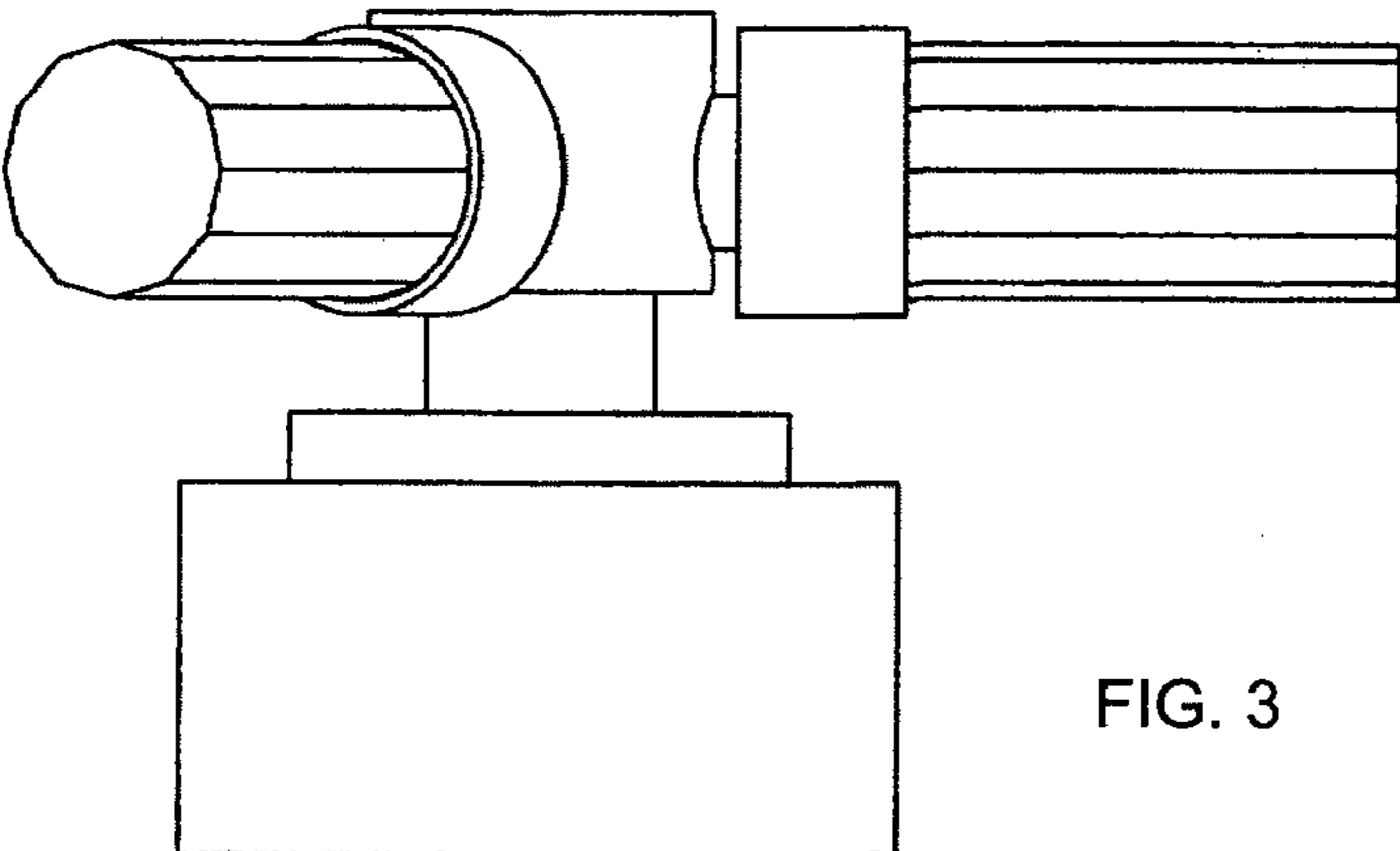


FIG. 3

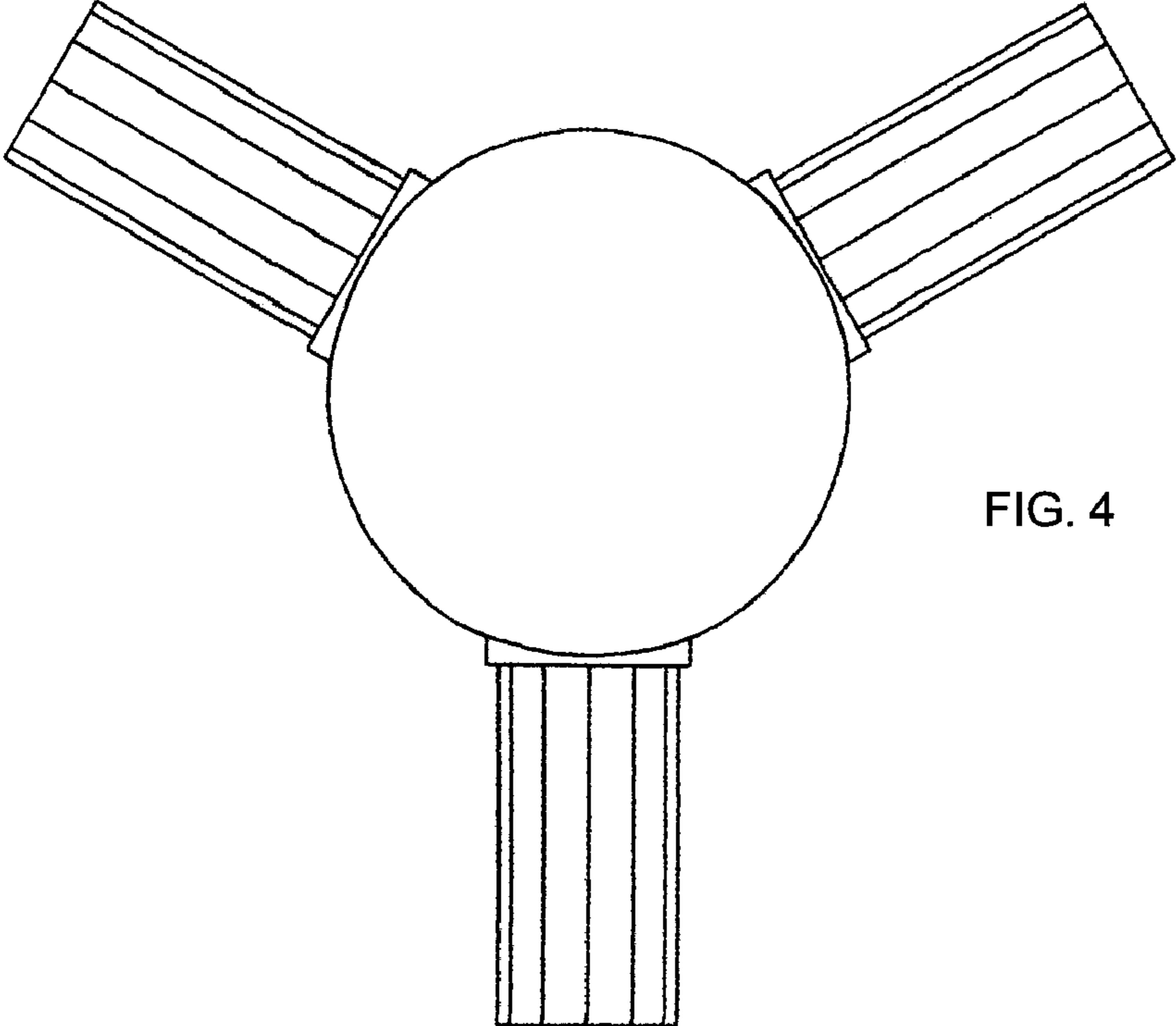


FIG. 4

UNITED STATES PATENT AND TRADEMARK OFFICE
CERTIFICATE OF CORRECTION

PATENT NO. : Des. 578,615 S
APPLICATION NO. : 29/279145
DATED : October 14, 2008
INVENTOR(S) : Fernandez et al.

Page 1 of 1

It is certified that error appears in the above-identified patent and that said Letters Patent is hereby corrected as shown below:

Title Page, item (73) Assignee should read as follows:

-- (73) Assignee: Industrias Ramon Soler, S.A., Saint Joan Despi (Barcelona) (ES) --

Signed and Sealed this

Sixteenth Day of December, 2008

A handwritten signature in black ink that reads "Jon W. Dudas". The signature is written in a cursive style with a large, looped initial "J".

JON W. DUDAS

Director of the United States Patent and Trademark Office