



US00D578612S

(12) **United States Design Patent**
Burrows

(10) **Patent No.:** **US D578,612 S**
(45) **Date of Patent:** **** Oct. 14, 2008**

(54) **FAUCET**

(76) **Inventor:** **Bruce D. Burrows**, P.O. Box 802948,
Santa Clarita, CA (US) 91380-2948

(**) **Term:** **14 Years**

(21) **Appl. No.:** **29/297,263**

(22) **Filed:** **Nov. 7, 2007**

Related U.S. Application Data

(63) Continuation-in-part of application No. 29/276,420,
filed on Jan. 25, 2007, now Pat. No. Des. 559,360.

(51) **LOC (8) Cl.** **23-01**

(52) **U.S. Cl.** **D23/238**

(58) **Field of Classification Search** D23/200,
D23/238-257; D6/512, 546, 550; D8/300,
D8/307-308, 310-312, 321; 4/675-678;
137/216, 359, 544, 553; 16/110.1, 441; 210/323.1
See application file for complete search history.

(56) **References Cited**

U.S. PATENT DOCUMENTS

D255,595 S *	6/1980	Lampe et al.	D23/238
D309,342 S *	7/1990	Nowlin et al.	D23/239
D350,591 S *	9/1994	Kawakami	D23/238
D373,815 S *	9/1996	Chaney	D23/241
5,865,209 A *	2/1999	Vidal	137/216
D497,409 S *	10/2004	Valfridsson	D23/238

6,941,968 B2 *	9/2005	Vidal	137/544
D522,091 S *	5/2006	Chang	D23/238
7,171,979 B1 *	2/2007	Lai	137/359
2005/0040097 A1 *	2/2005	Bassett et al.	210/323.1
2006/0289343 A1 *	12/2006	Schmitt et al.	137/553

* cited by examiner

Primary Examiner—Robert A. Delehanty

Assistant Examiner—Mark Cavanna

(74) *Attorney, Agent, or Firm*—Kelly Lowry & Kelley, LLP;
Stuart O. Lowry

(57) **CLAIM**

The ornamental design for a faucet, as shown.

DESCRIPTION

FIG. 1 is a perspective view showing the front, top, and right sides of a faucet embodying the new design;

FIG. 2 is a front elevation view thereof;

FIG. 3 is a right side elevation view thereof;

FIG. 4 is a left side elevation view thereof;

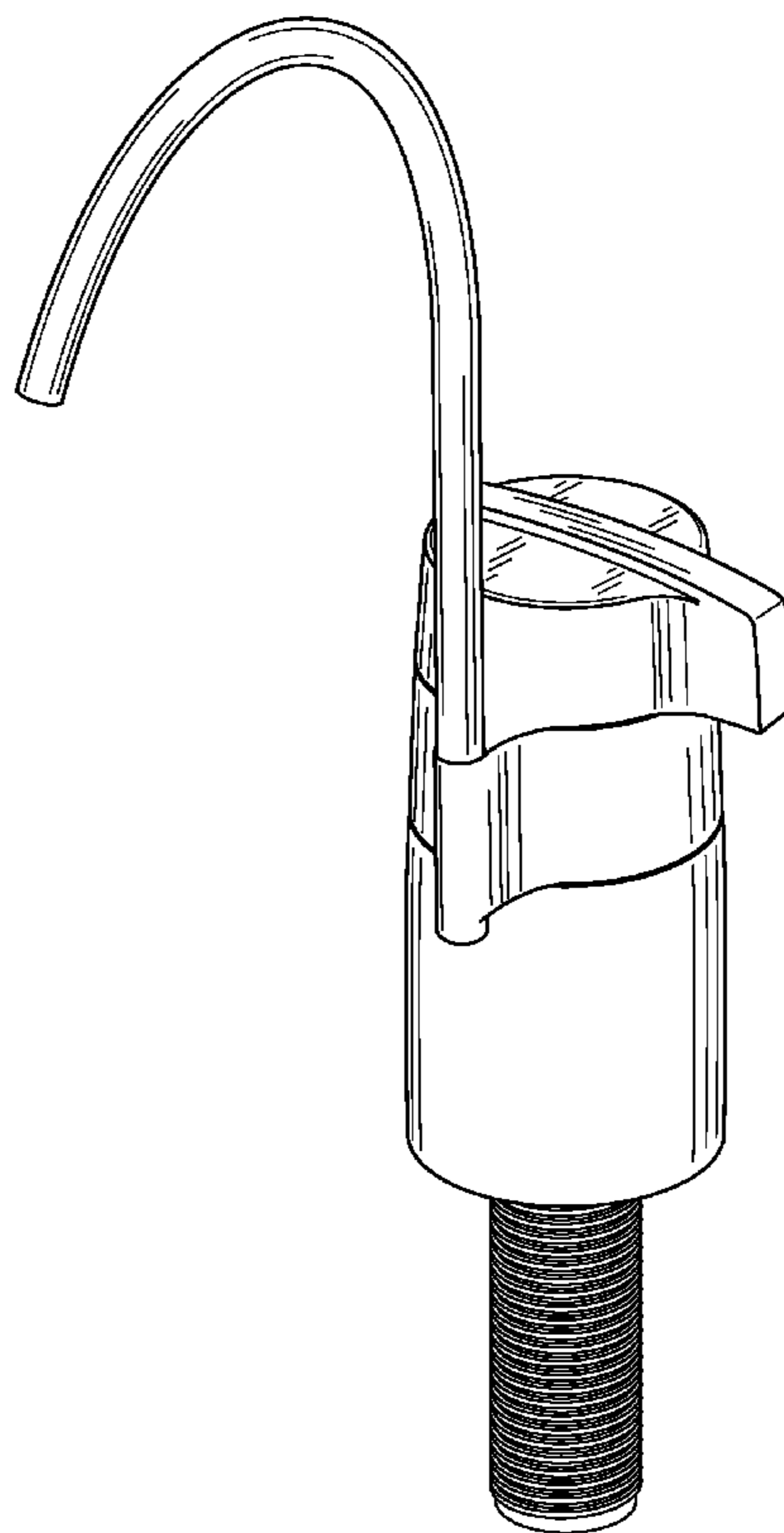
FIG. 5 is a rear elevation view thereof;

FIG. 6 is a top plan view thereof; and,

FIG. 7 is a bottom plan view thereof.

The broken lines in FIG. 7 are included for the purpose of illustrating portions of the faucet that form no part of the claimed design.

1 Claim, 4 Drawing Sheets



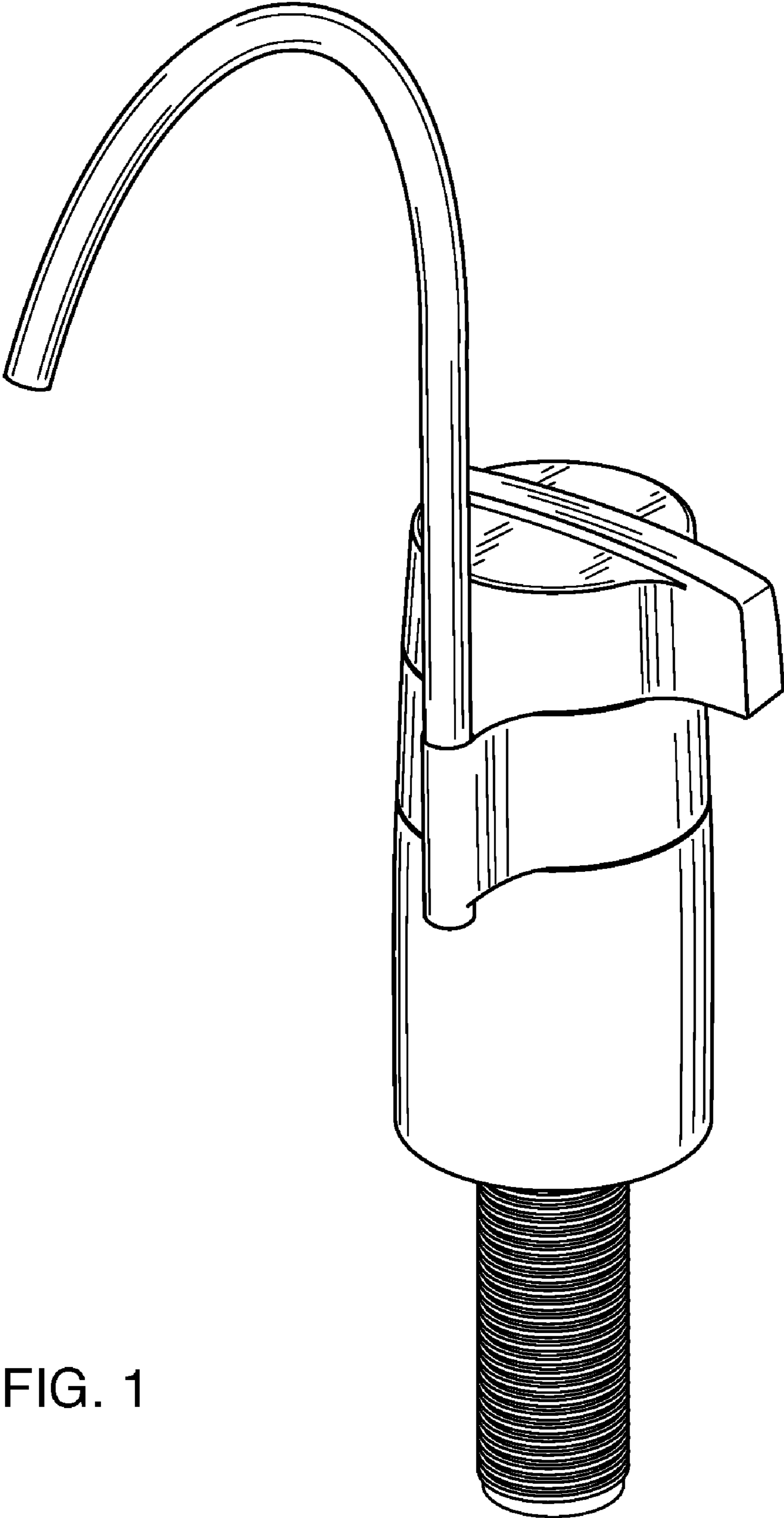


FIG. 1

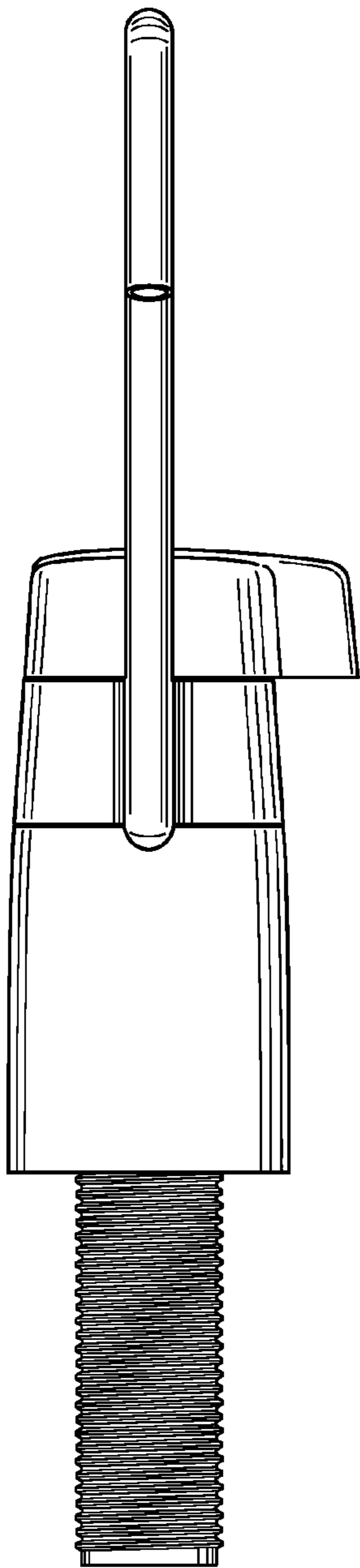


FIG. 2

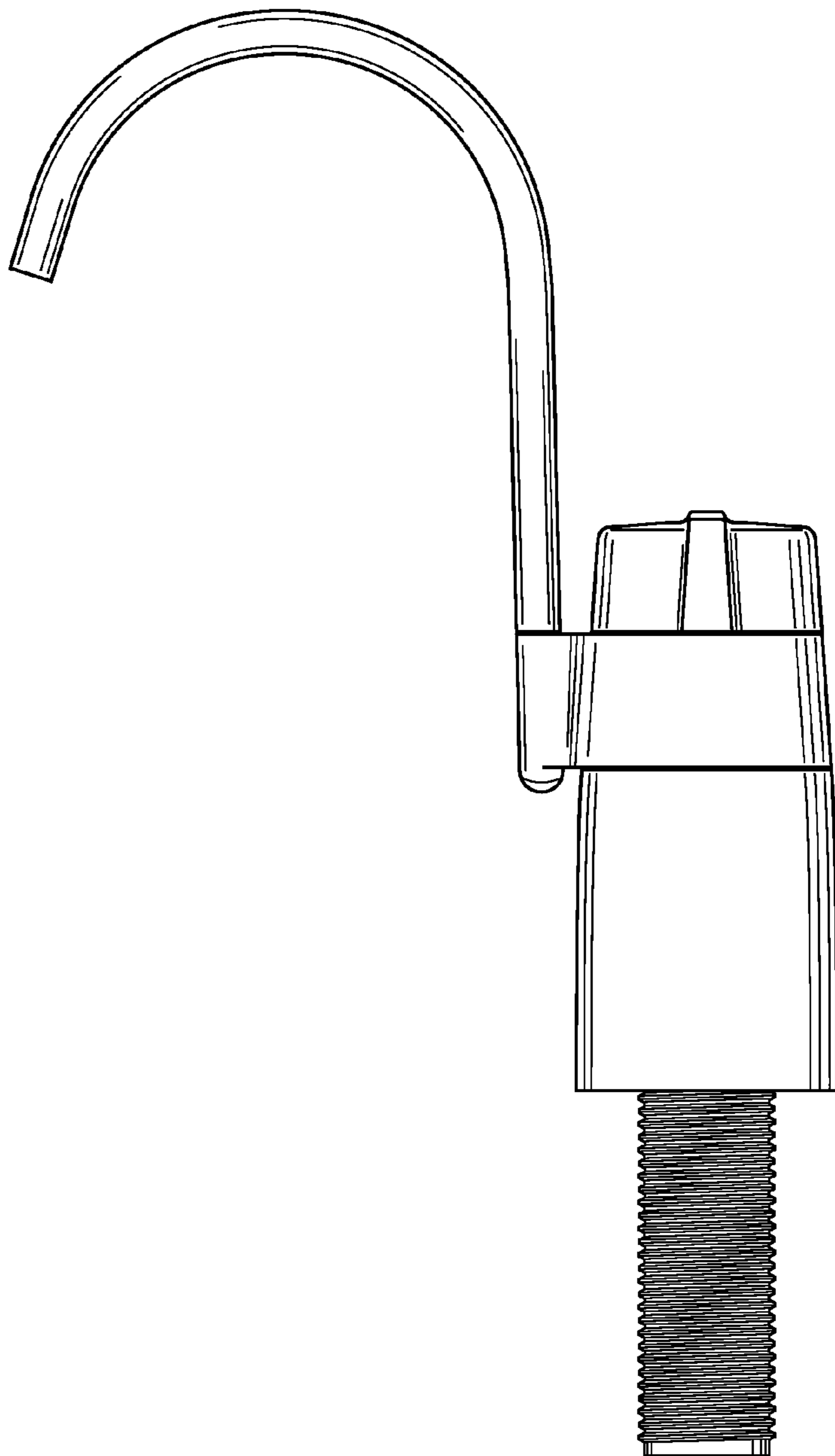


FIG. 3

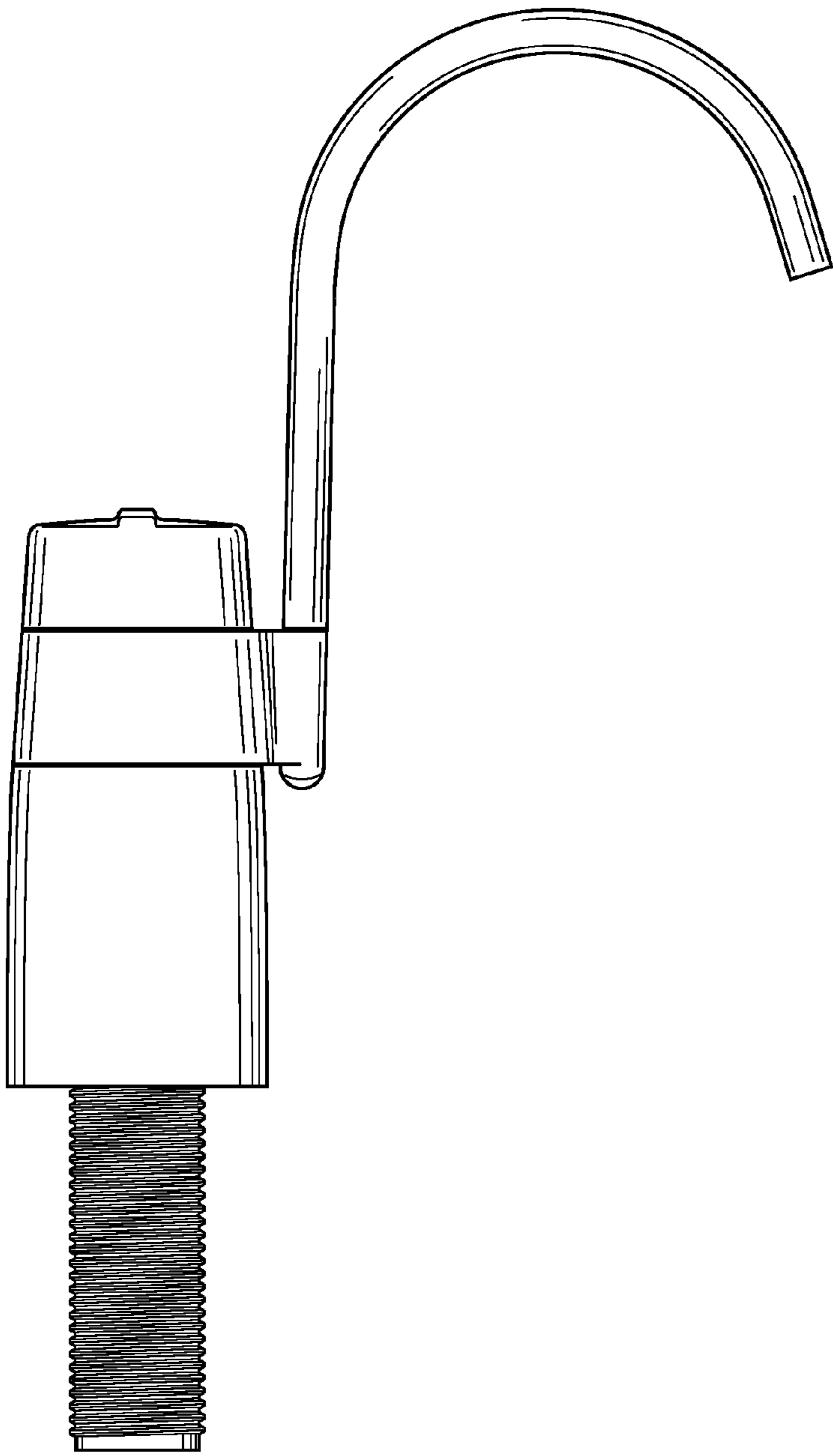


FIG. 4

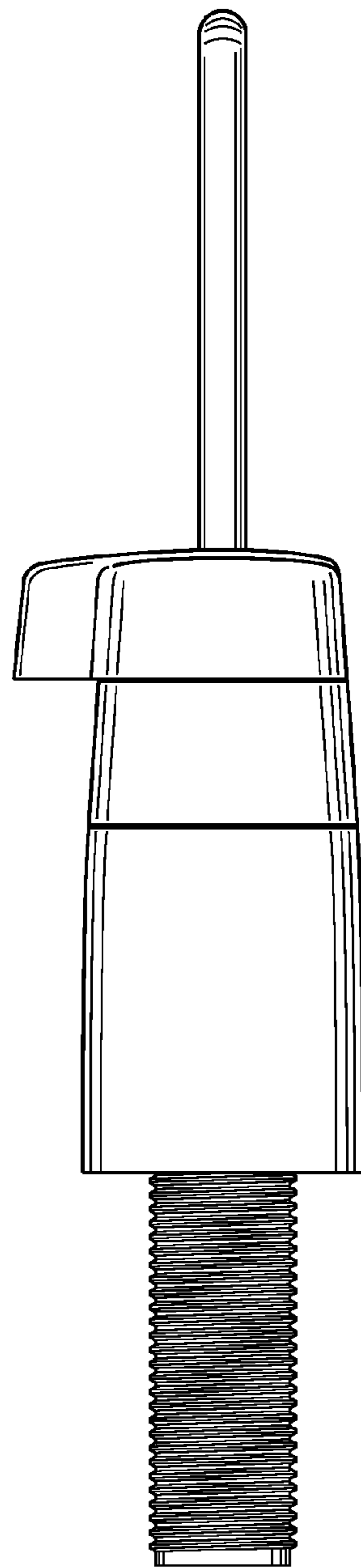


FIG. 5

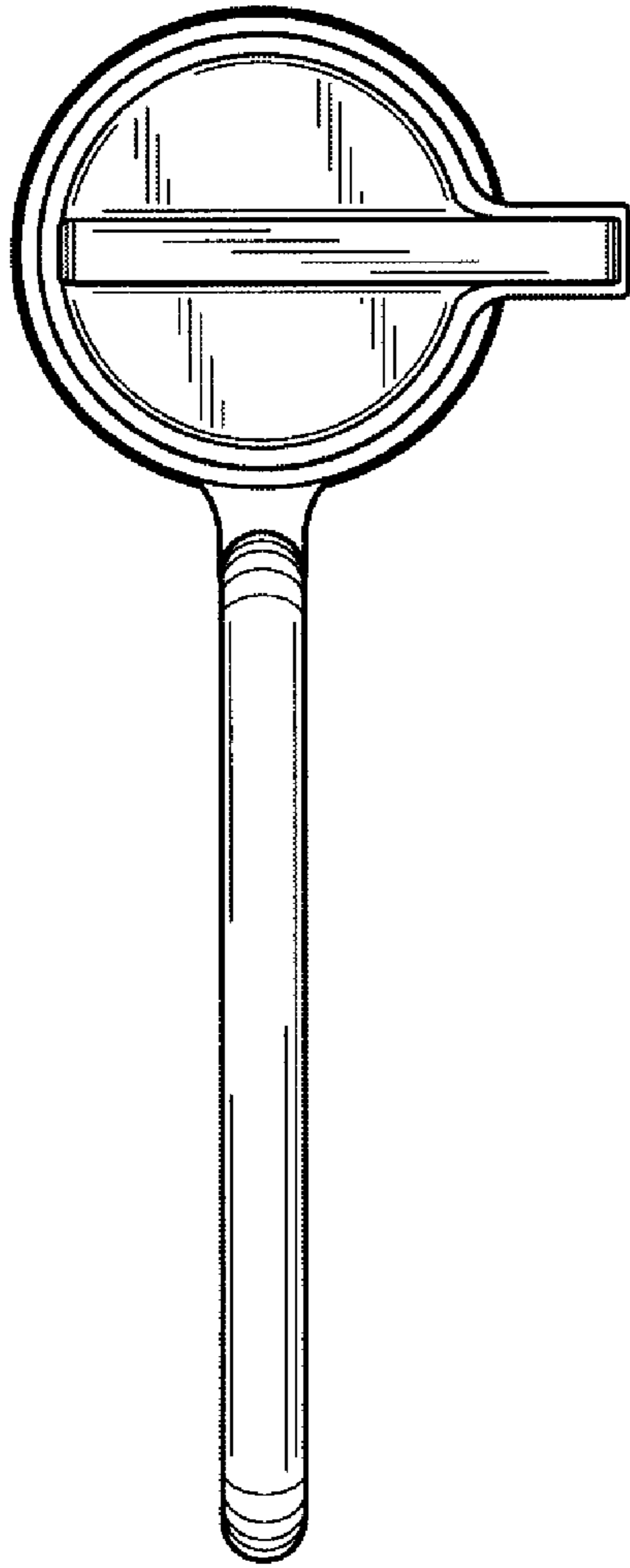


FIG. 6

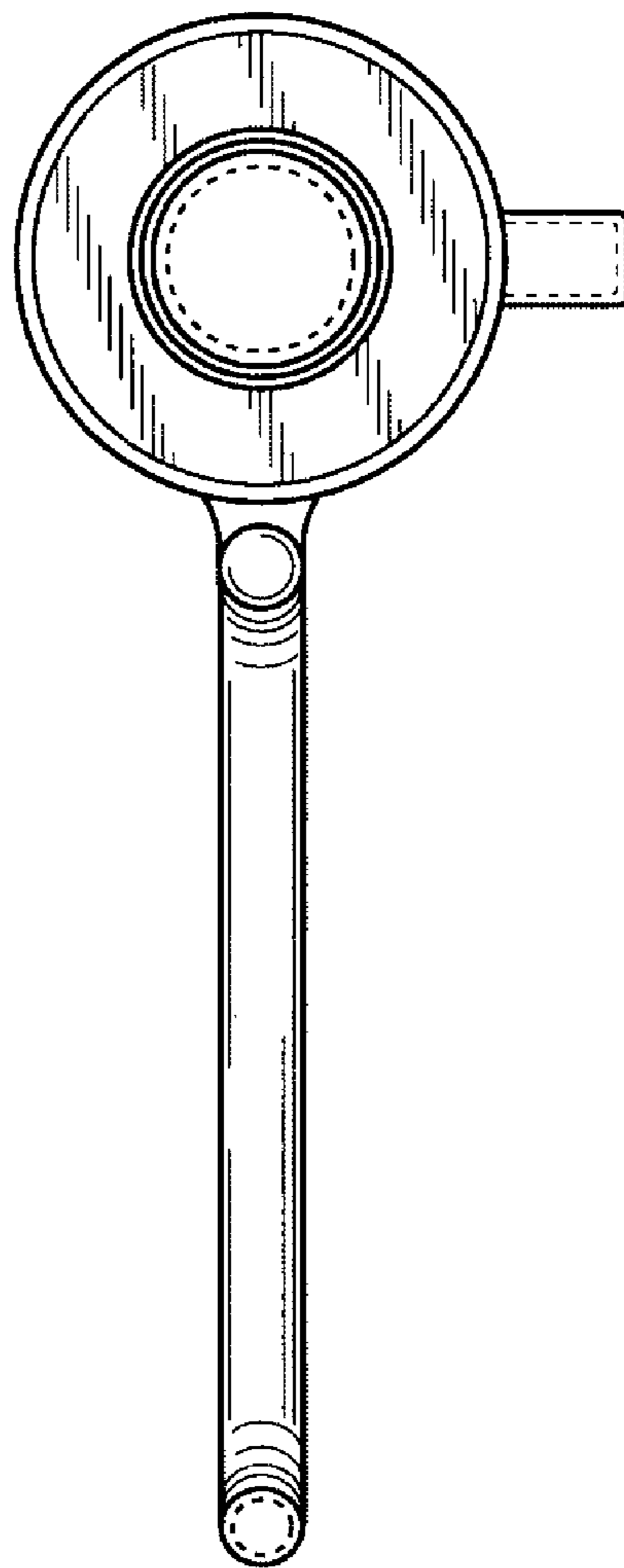


FIG. 7