



US00D578611S

(12) **United States Design Patent**  
**Wu et al.**

(10) **Patent No.:** **US D578,611 S**  
(45) **Date of Patent:** **\*\* Oct. 14, 2008**

(54) **SHOWERHEAD**

D559,950 S \* 1/2008 Tse ..... D23/229

(76) Inventors: **James Wu**, NO15, Lane 160, Fongfu Rd., Taichung (TW); **Alex Wu**, NO15, Lane160, Fongfu Rd., Taichung (TW)

\* cited by examiner

*Primary Examiner*—Robin V Webster  
(74) *Attorney, Agent, or Firm*—Pro-Techtor Int'l Services

(\*\*) Term: **14 Years**

(57) **CLAIM**

(21) Appl. No.: **29/294,818**

The ornamental design for a showerhead, as shown and described.

(22) Filed: **Jan. 29, 2008**

**DESCRIPTION**

(51) **LOC (8) Cl.** ..... **23-01**

FIG. 1. is a front-right-top perspective view of a showerhead, showing my new design;

(52) **U.S. Cl.** ..... **D23/229**

FIG. 2. is a front elevational view thereof;

(58) **Field of Classification Search** ..... D23/213,  
D23/223, 229–230; 239/394, 282–283

FIG. 3. is a rear elevational view thereof;

See application file for complete search history.

FIG. 4. is a left side elevational view thereof;

(56) **References Cited**

FIG. 5. is a right side elevational view thereof;

**U.S. PATENT DOCUMENTS**

FIG. 6. is a top plan view thereof; and,

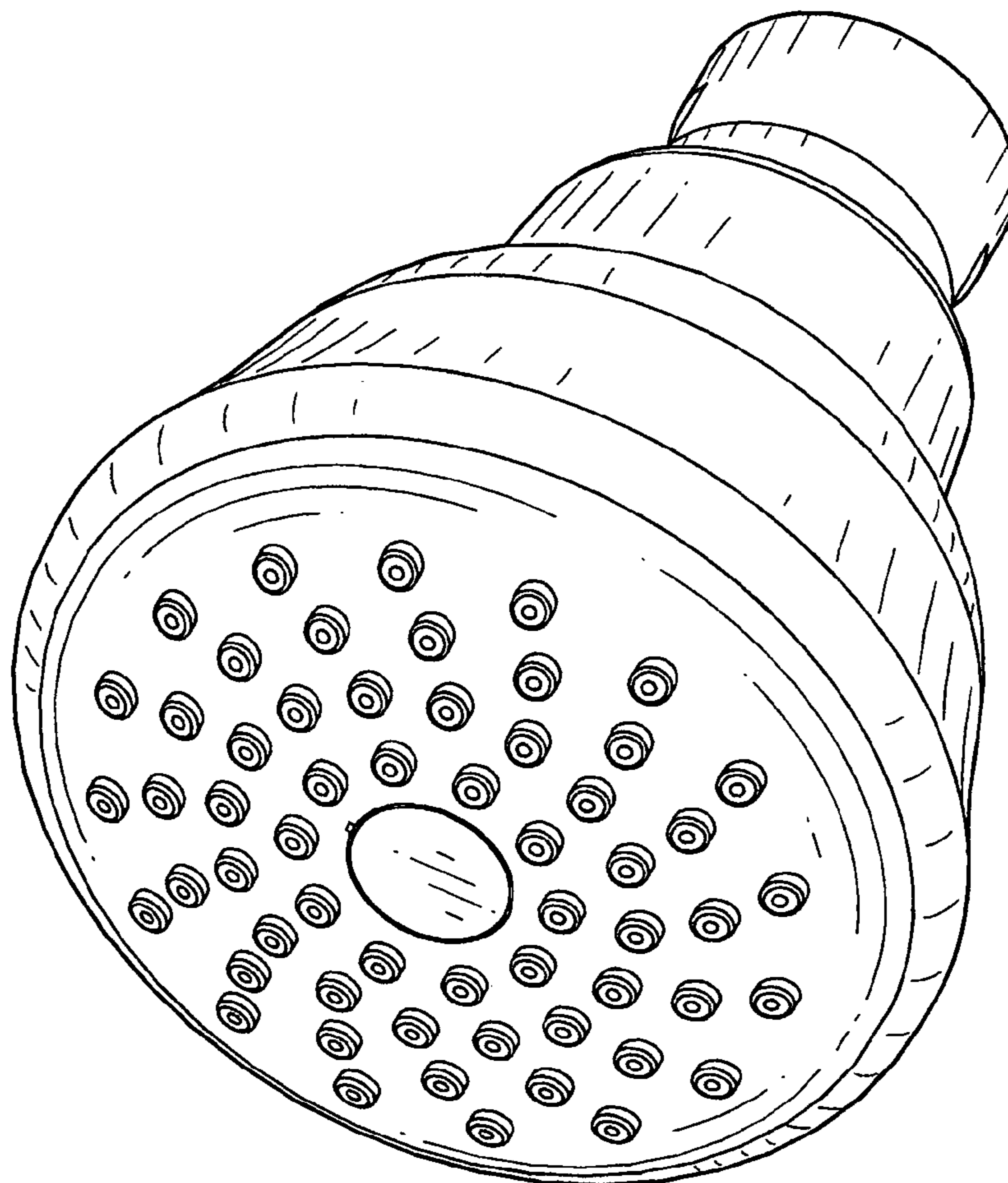
D497,196 S \* 10/2004 Wu et al. .... D23/229

FIG. 7. is a bottom plan view thereof.

D510,409 S \* 10/2005 Xiang et al. .... D23/229

D541,904 S \* 5/2007 Dingler et al. .... D23/229

**1 Claim, 7 Drawing Sheets**



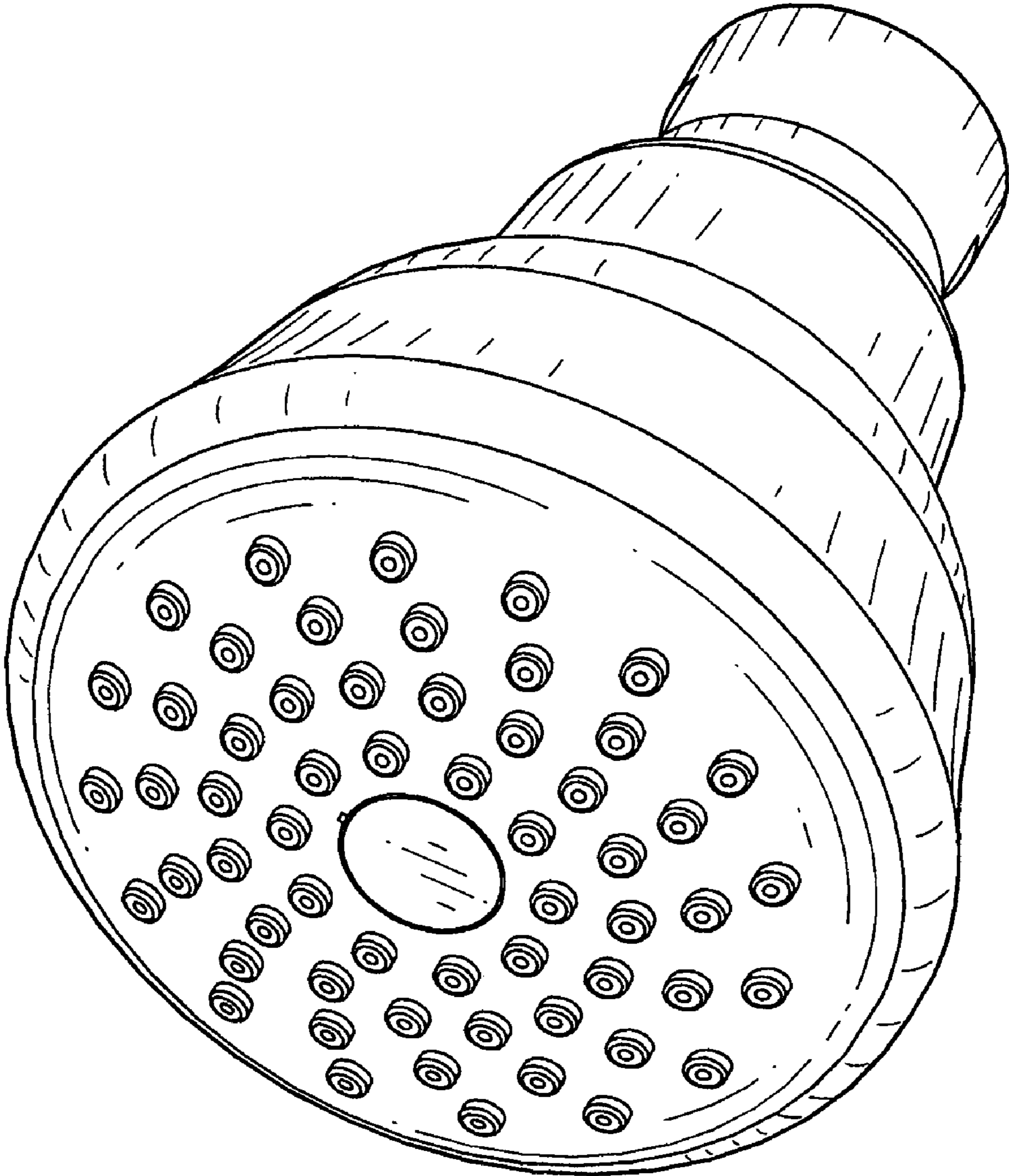


FIG. 1

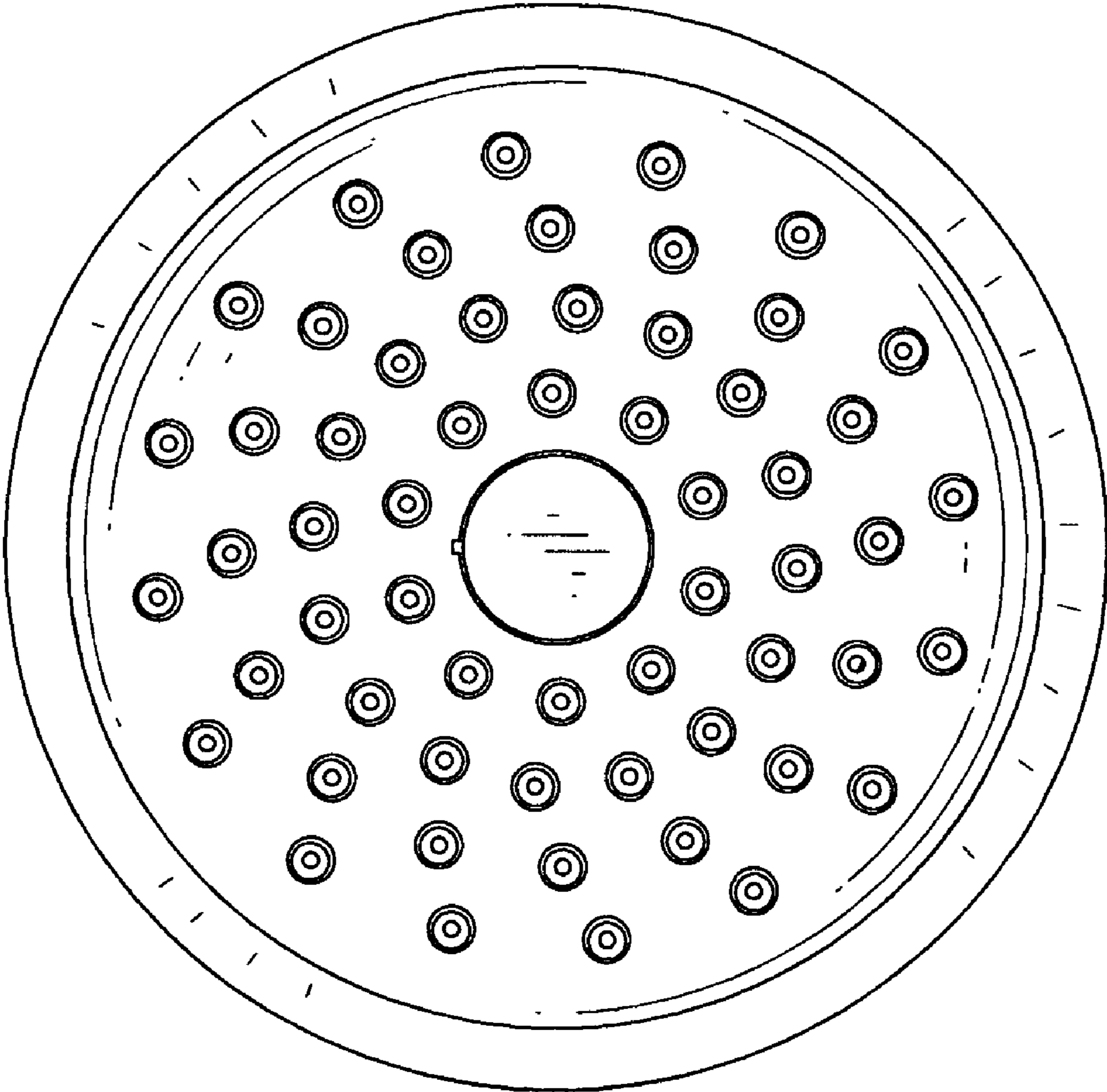


FIG. 2

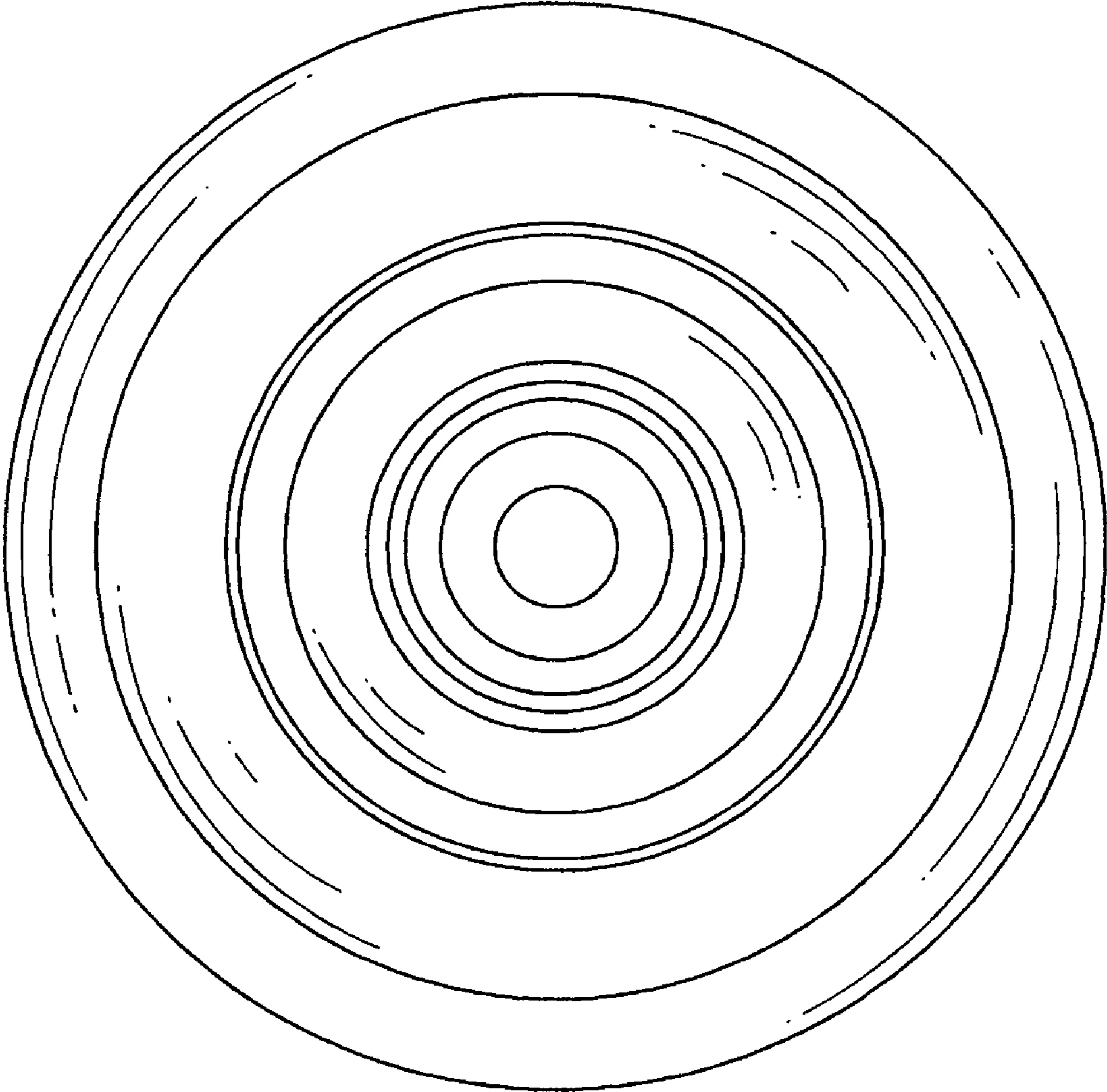


FIG. 3



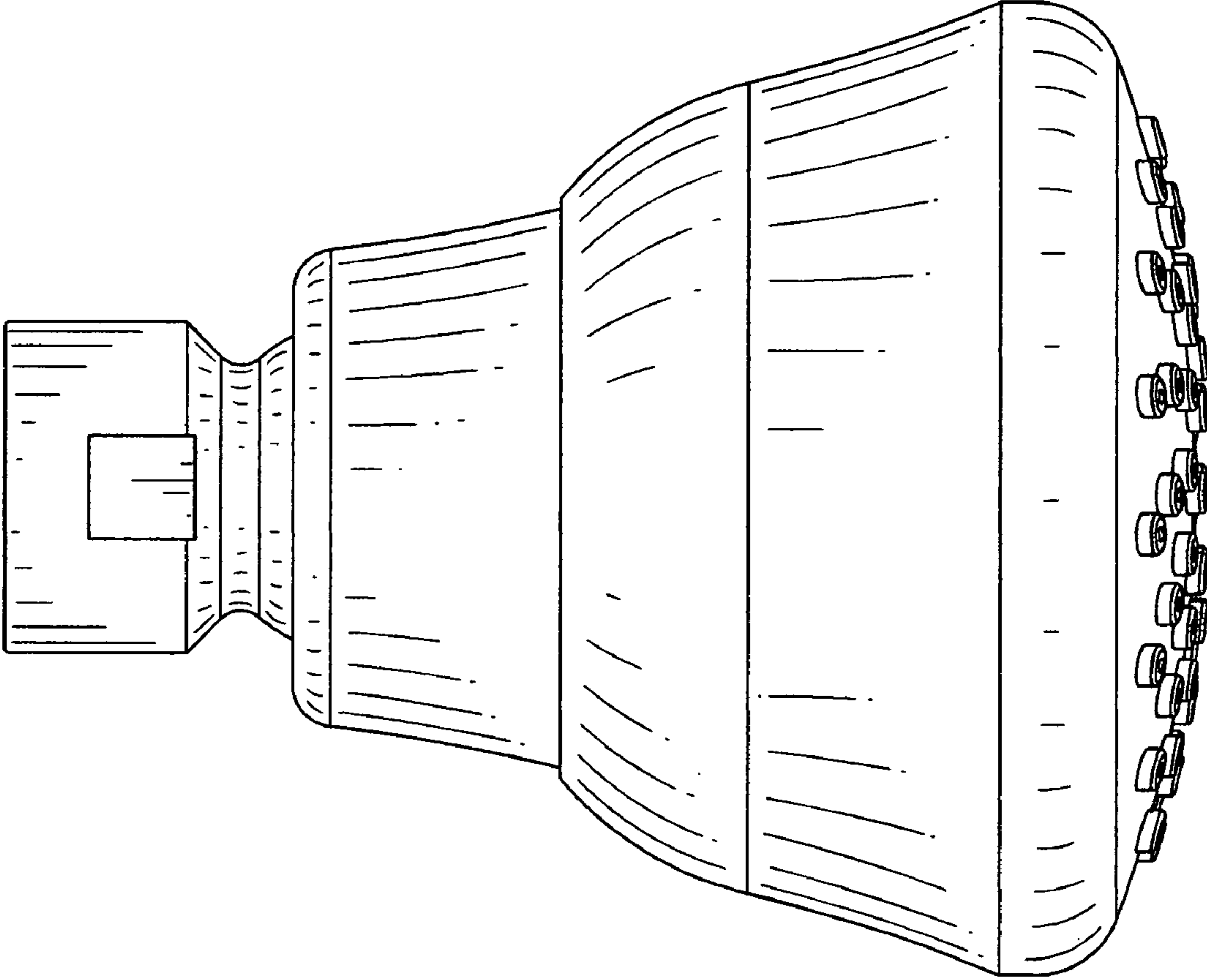


FIG. 4

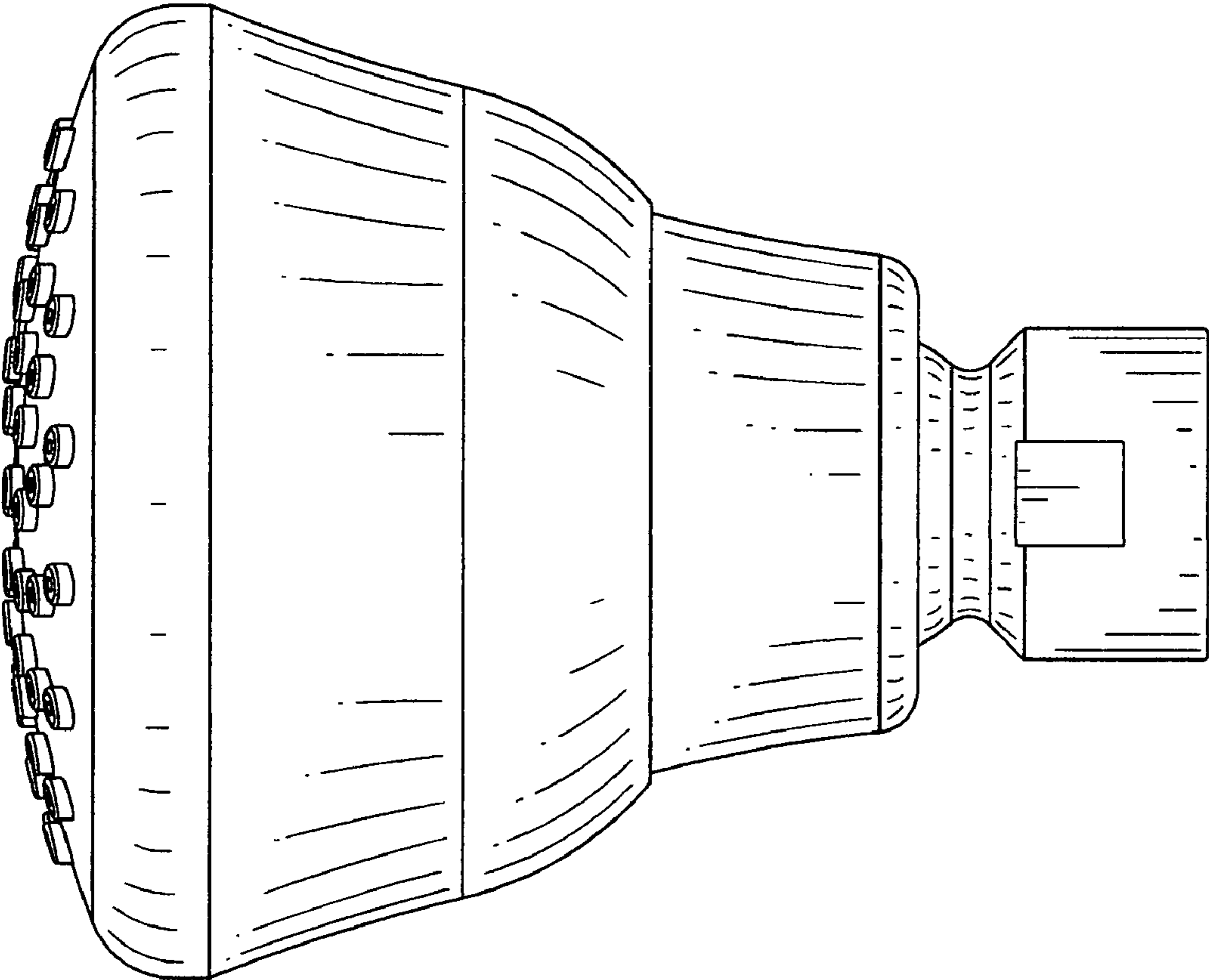


FIG. 5

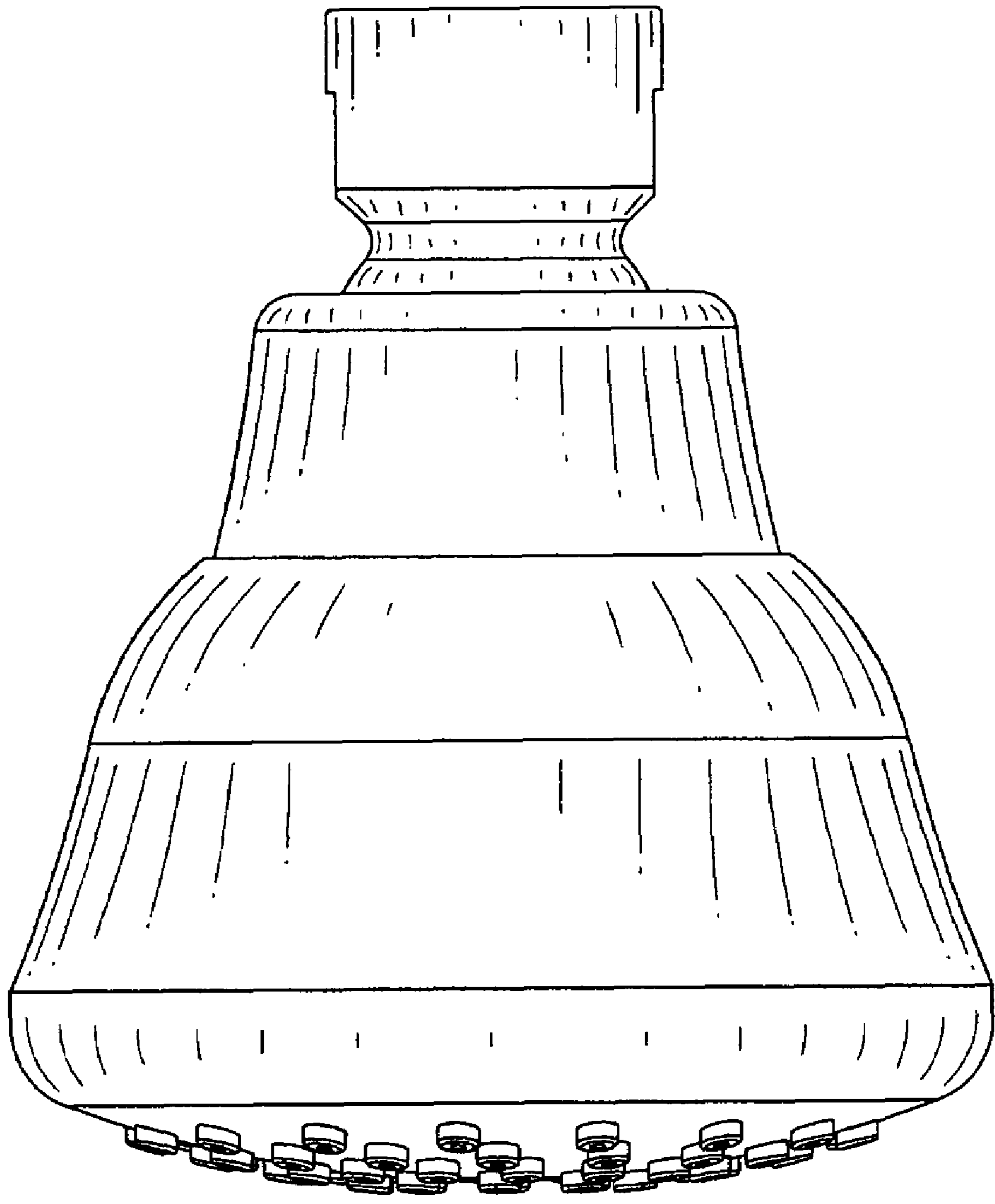


FIG. 6

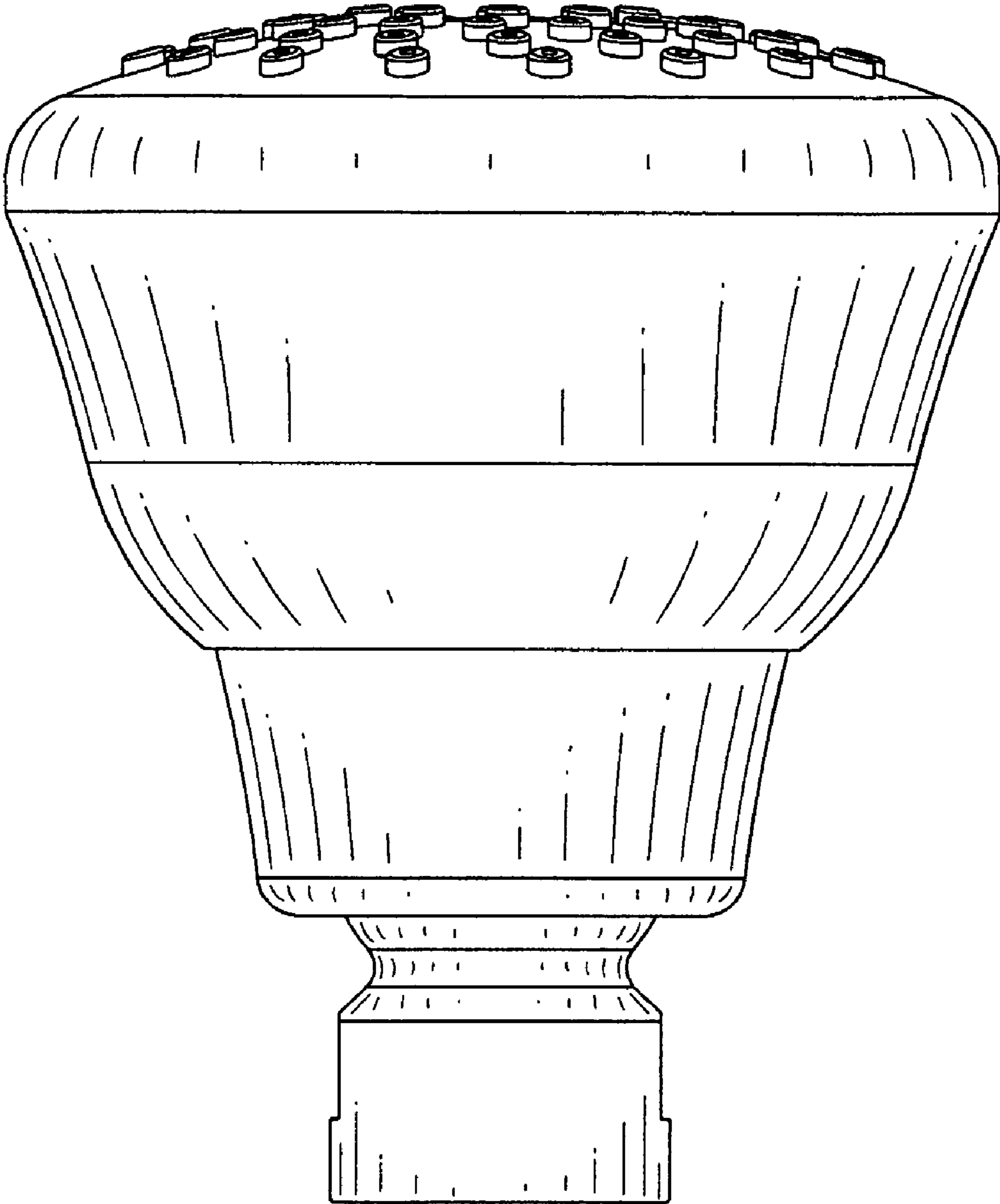


FIG. 7