



US00D578603S

(12) **United States Design Patent**
Khaitov

(10) **Patent No.:** **US D578,603 S**
(45) **Date of Patent:** **** Oct. 14, 2008**

(54) **BLOW GUN**

(75) Inventor: **Michael Khaitov**, Carteret, NJ (US)

(73) Assignee: **Coilhose Pneumatics, Inc.**, New Brunswick, NJ (US)

(**) Term: **14 Years**

(21) Appl. No.: **29/317,225**

(22) Filed: **Apr. 24, 2008**

(51) **LOC (8) Cl.** **23-01**

(52) **U.S. Cl.** **D23/213; D23/226**

(58) **Field of Classification Search** D23/213,
D23/223, 226; 239/525-6, 532
See application file for complete search history.

(56) **References Cited**

U.S. PATENT DOCUMENTS

D202,216 S	9/1965	Liljemark	
D223,491 S *	4/1972	Smart D23/226
3,811,622 A	5/1974	Blatt	
4,052,008 A	10/1977	Rogers	
D302,459 S	7/1989	Kao	
D303,139 S	8/1989	Morgan	
D304,757 S	11/1989	Post	
5,765,758 A	6/1998	Chu	
D419,641 S	1/2000	Wilson	
D428,471 S *	7/2000	Gustafsson D23/226
6,131,823 A	10/2000	Langeman	
D448,830 S	10/2001	Turnbull	

6,505,784 B1	1/2003	Jou	
6,675,994 B2	1/2004	Yamamoto	
D507,036 S	7/2005	Khaitov	
D512,122 S *	11/2005	Yorns et al. D23/223
D513,058 S *	12/2005	Hayduk et al. D23/226

* cited by examiner

Primary Examiner—Robin V Webster

(74) *Attorney, Agent, or Firm*—Bert P. Krages II

(57) **CLAIM**

I claim the ornamental design for a blow gun, as shown and described.

DESCRIPTION

FIG. 1 is an upper front perspective view of “blow gun” showing the new design thereof;

FIG. 2 is an upper rear perspective view of the blow gun shown in FIG. 1;

FIG. 3 is a bottom front perspective view of the blow gun shown in FIG. 1;

FIG. 4 is a right side view of the blow gun shown in FIG. 1, the left side being a mirror image thereof;

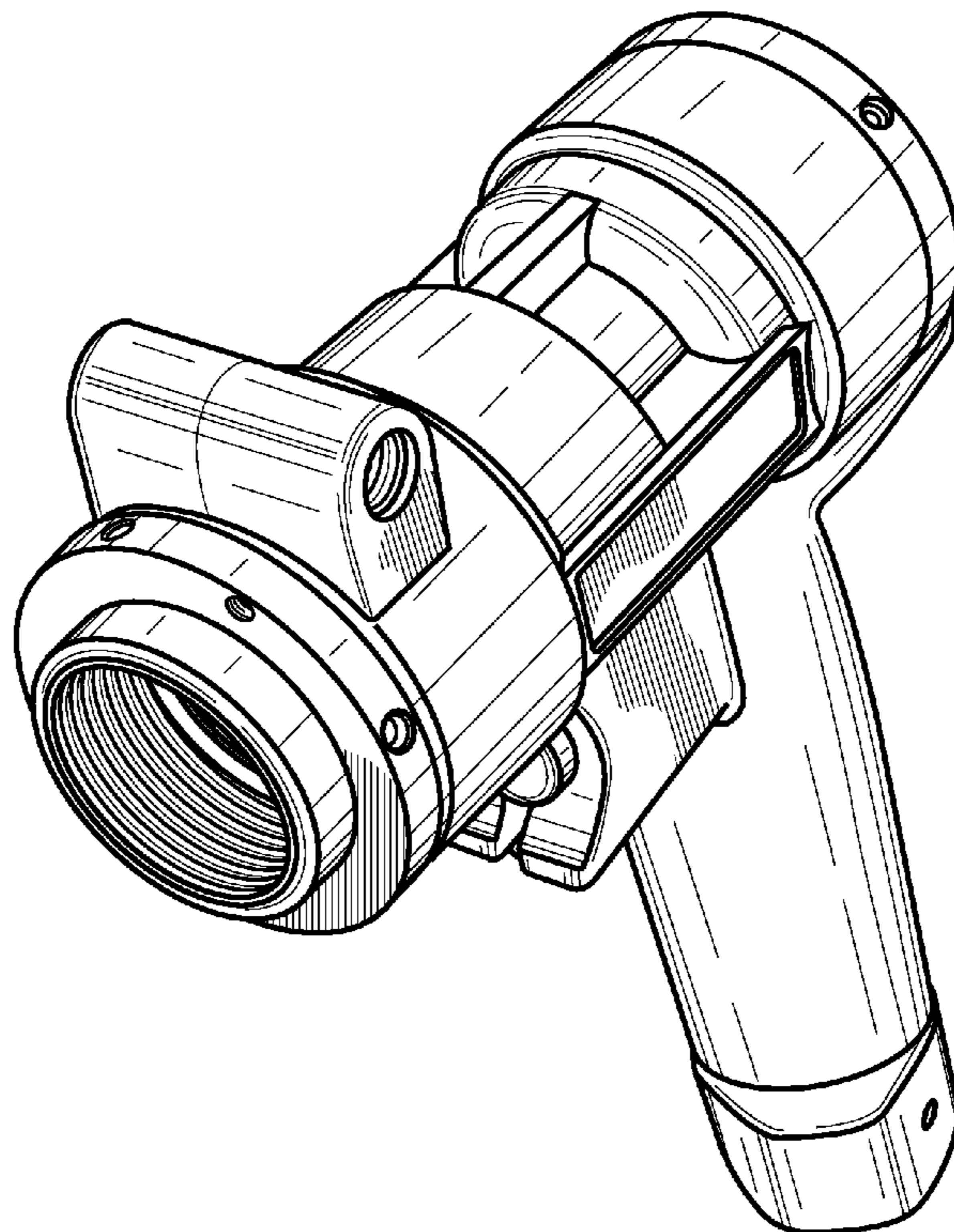
FIG. 5 is a front view of the blow gun shown in FIG. 1;

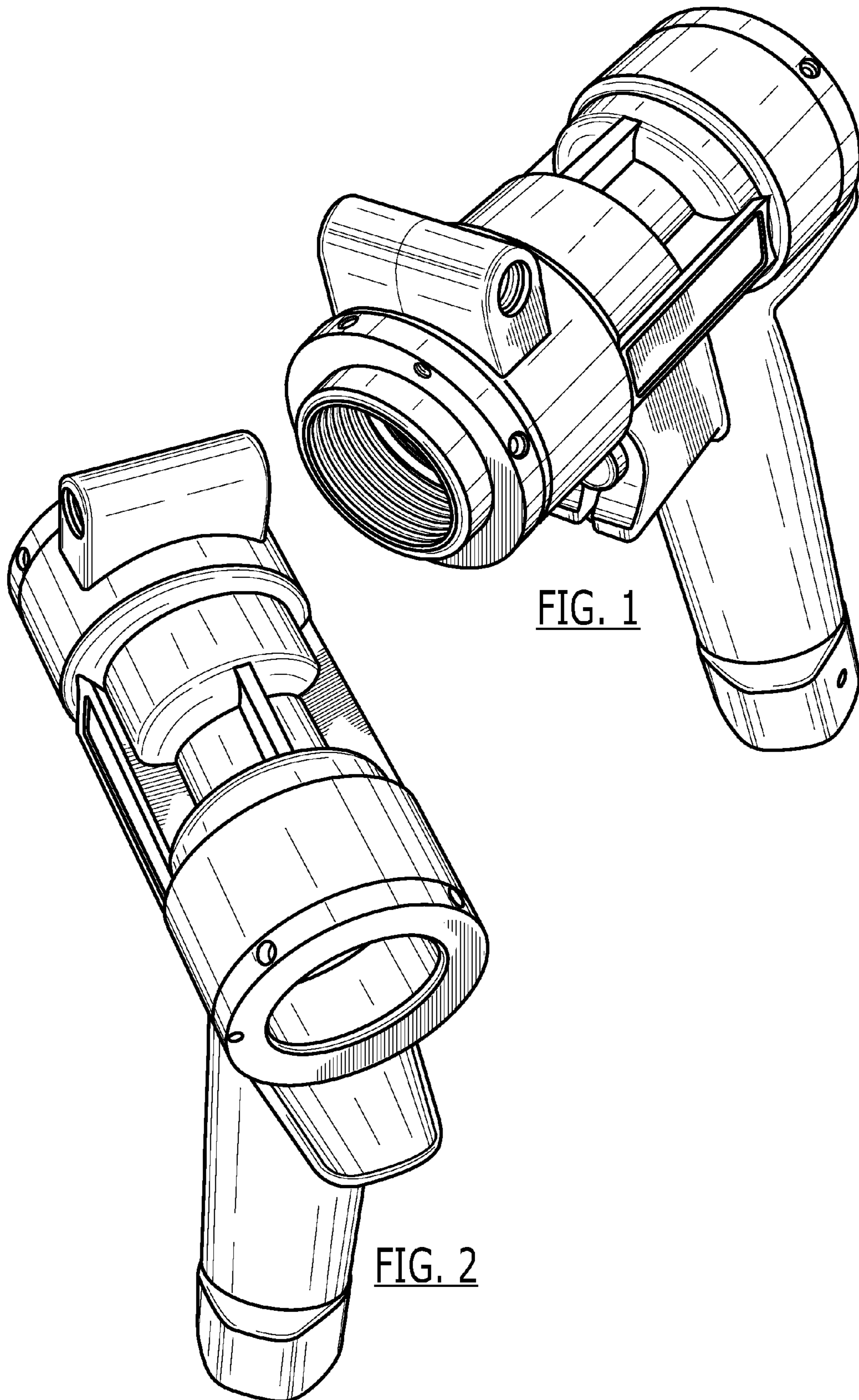
FIG. 6 is a rear view of the blow gun shown in FIG. 1;

FIG. 7 is a top view of the blow gun shown in FIG. 1; and,

FIG. 8 is a bottom view of the blow gun shown in FIG. 1.

1 Claim, 4 Drawing Sheets





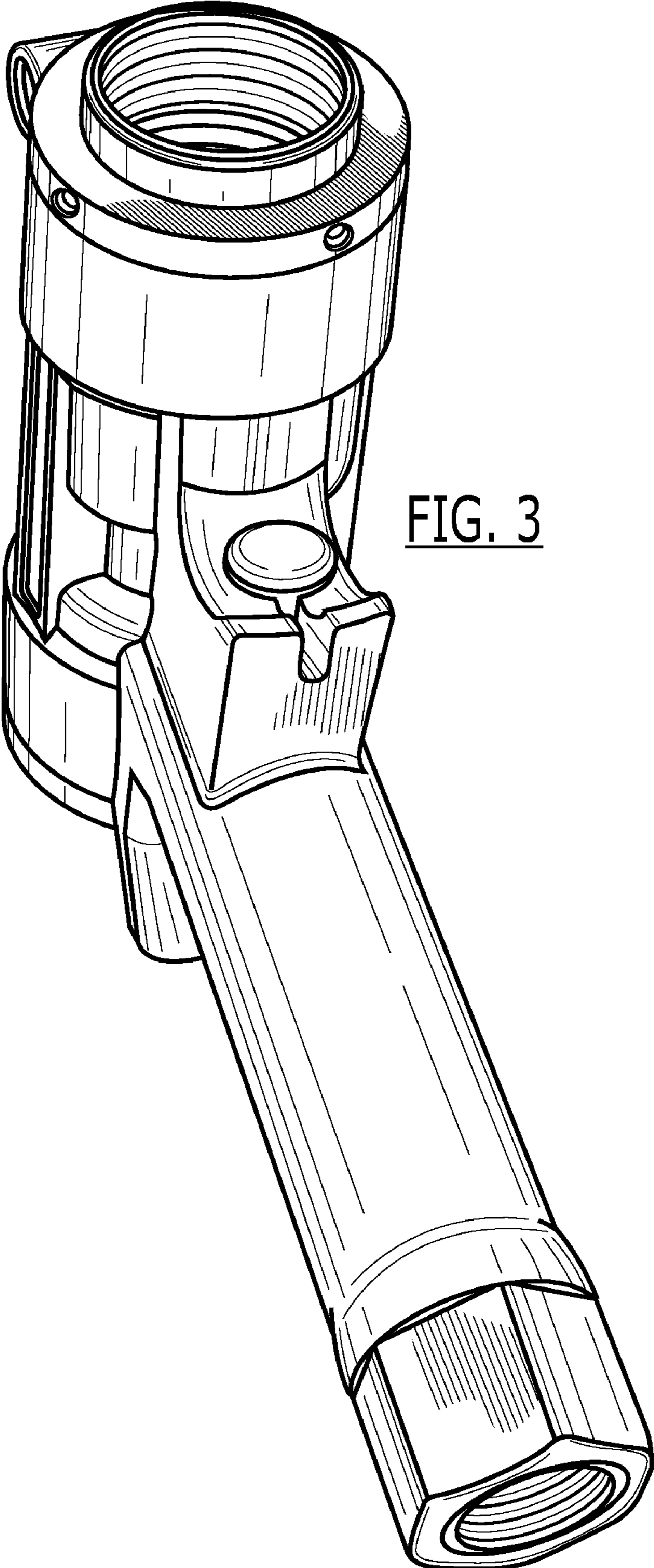


FIG. 3

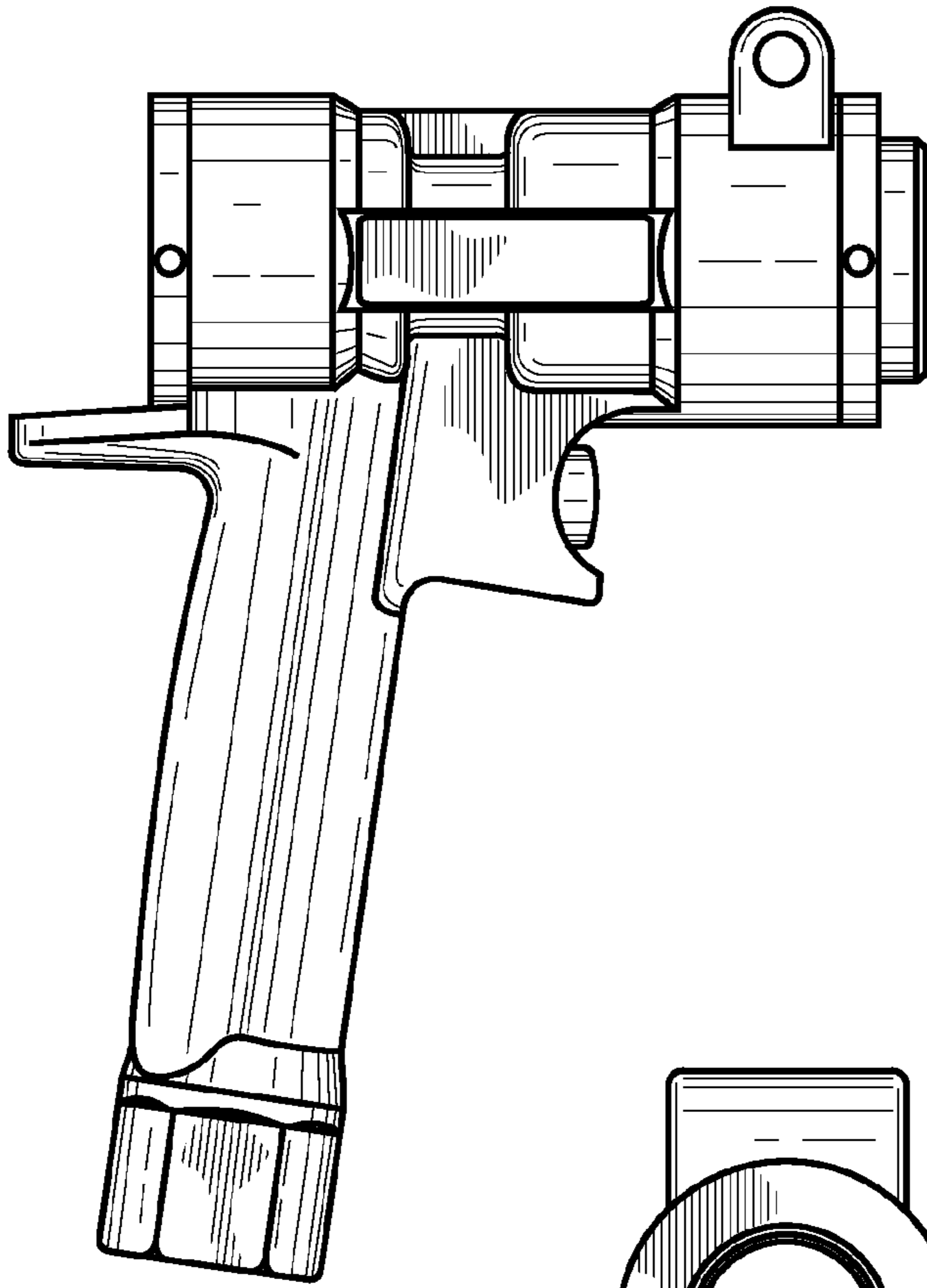


FIG. 4

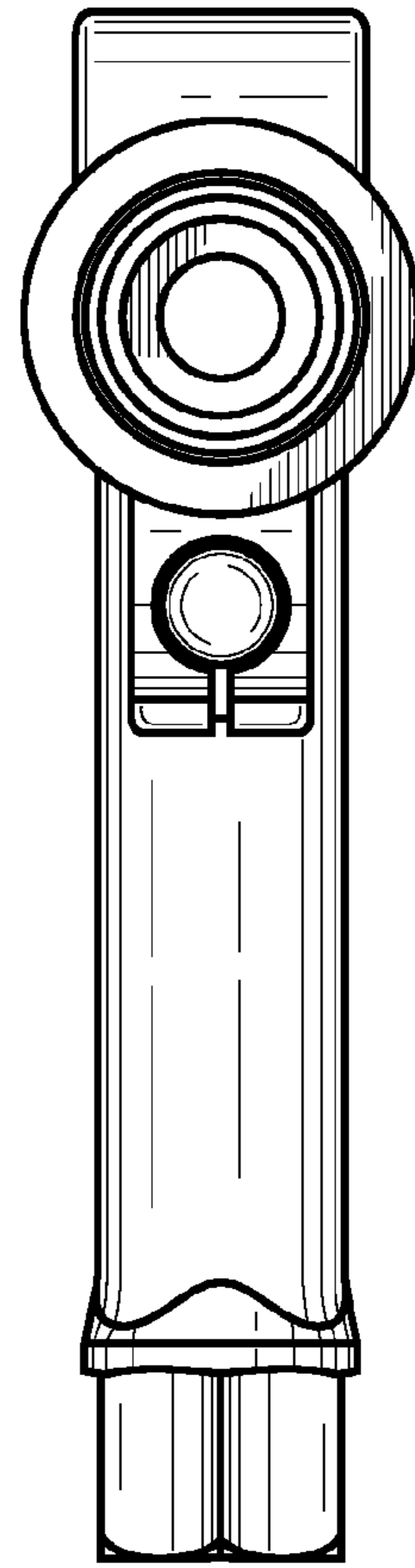


FIG. 5

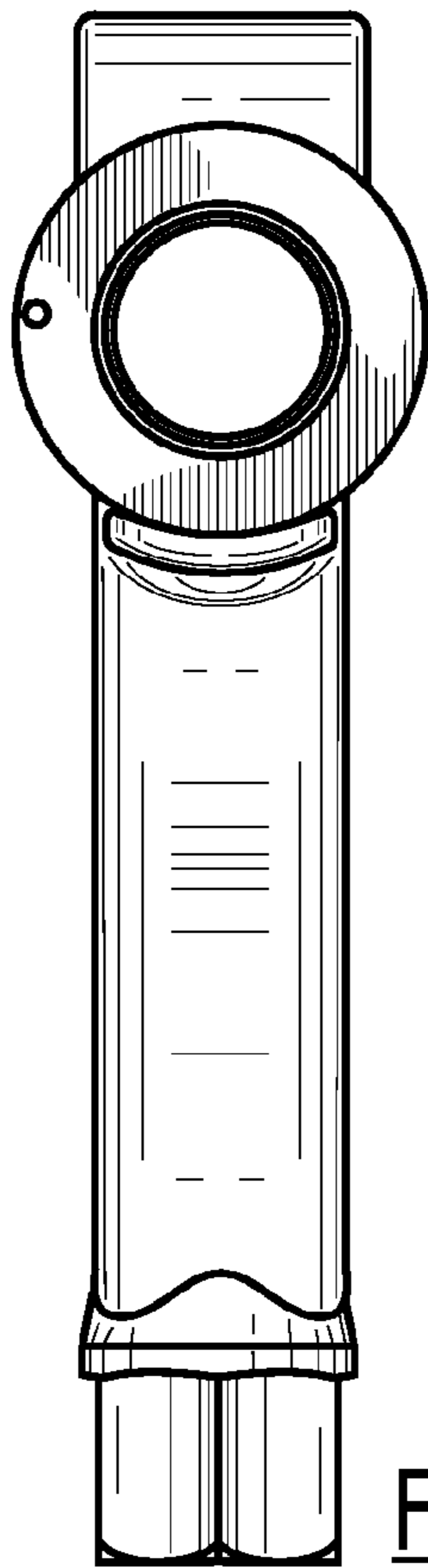


FIG. 6

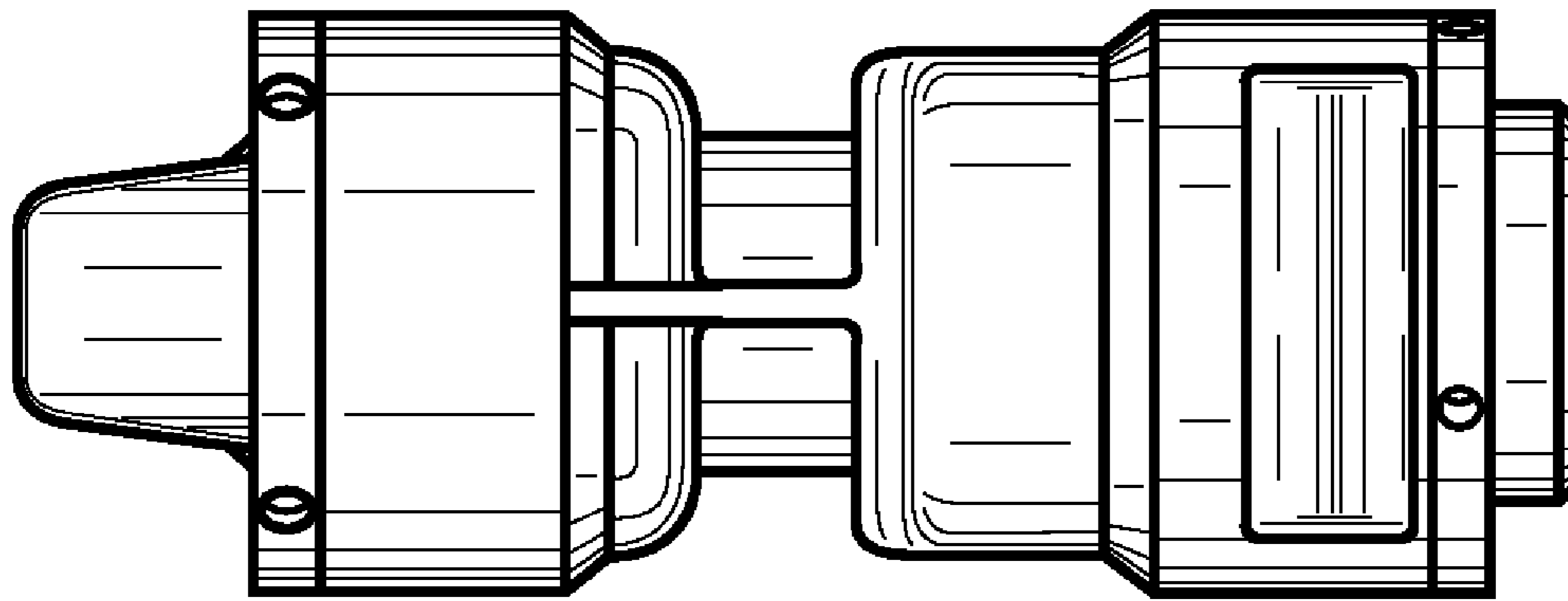


FIG. 7

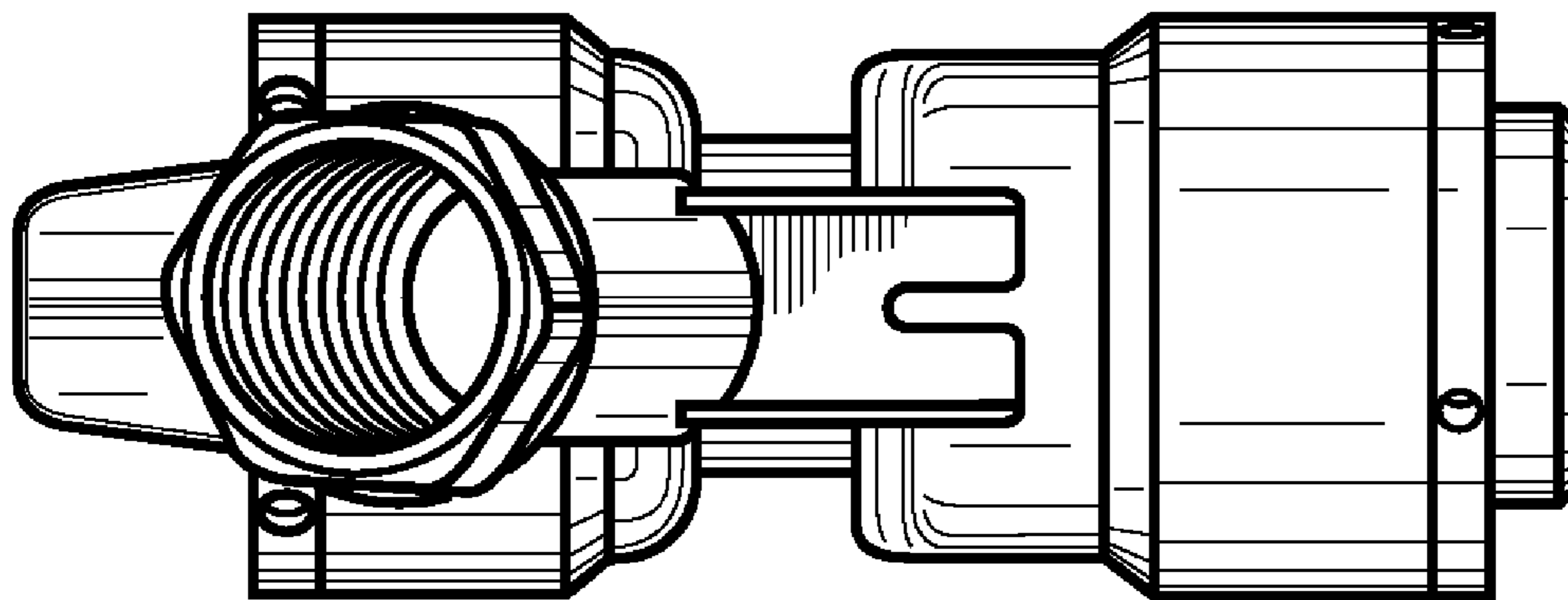


FIG. 8