



US00D578599S

(12) **United States Design Patent**
Cheng

(10) **Patent No.:** **US D578,599 S**

(45) **Date of Patent:** **** Oct. 14, 2008**

(54) **LASER SIGHT**

(76) Inventor: **Daniel Cheng**, 11F., No. 7, Lane 59,
Jiancheng Rd., Sijhih City, Taipei County
221 (TW)

(**) Term: **14 Years**

(21) Appl. No.: **29/262,940**

(22) Filed: **Jul. 14, 2006**

(30) **Foreign Application Priority Data**

Jan. 23, 2006 (TW) 95300362

(51) **LOC (8) Cl.** **22-01**

(52) **U.S. Cl.** **D22/109; D16/130; D22/108;**
D22/110

(58) **Field of Classification Search** **D22/108-109;**
D16/130-136; 362/110, 113-114; 42/111,
42/114, 117, 146, 90, 124, 113, 115, 119;
359/409-411, 480-481; D26/38-39

See application file for complete search history.

(56) **References Cited**

U.S. PATENT DOCUMENTS

5,282,594 A * 2/1994 Huang 248/205.1
D347,018 S * 5/1994 Jehn D16/132
5,430,967 A * 7/1995 Woodman et al. 42/114
6,438,888 B1 * 8/2002 Lin et al. 42/114

6,578,311 B2 * 6/2003 Danielson et al. 42/114
6,622,416 B2 * 9/2003 Kim 42/146
7,225,577 B1 * 6/2007 Wang 42/124
D548,385 S * 8/2007 Sharrah et al. D26/60
D568,508 S * 5/2008 Howe et al. D26/38
2004/0068913 A1 * 4/2004 Solinsky et al. 42/146
2007/0193103 A1 * 8/2007 Cheng 42/111

* cited by examiner

Primary Examiner—Ian Simmons

Assistant Examiner—Wan Laymon

(74) *Attorney, Agent, or Firm*—Ming Chow; Sinorica, LLC

(57) **CLAIM**

The ornamental design for laser sight, as shown and described.

DESCRIPTION

FIG. 1 is a right perspective view of a laser sight showing my new design;

FIG. 2 is a front view thereof;

FIG. 3 is a right side view thereof;

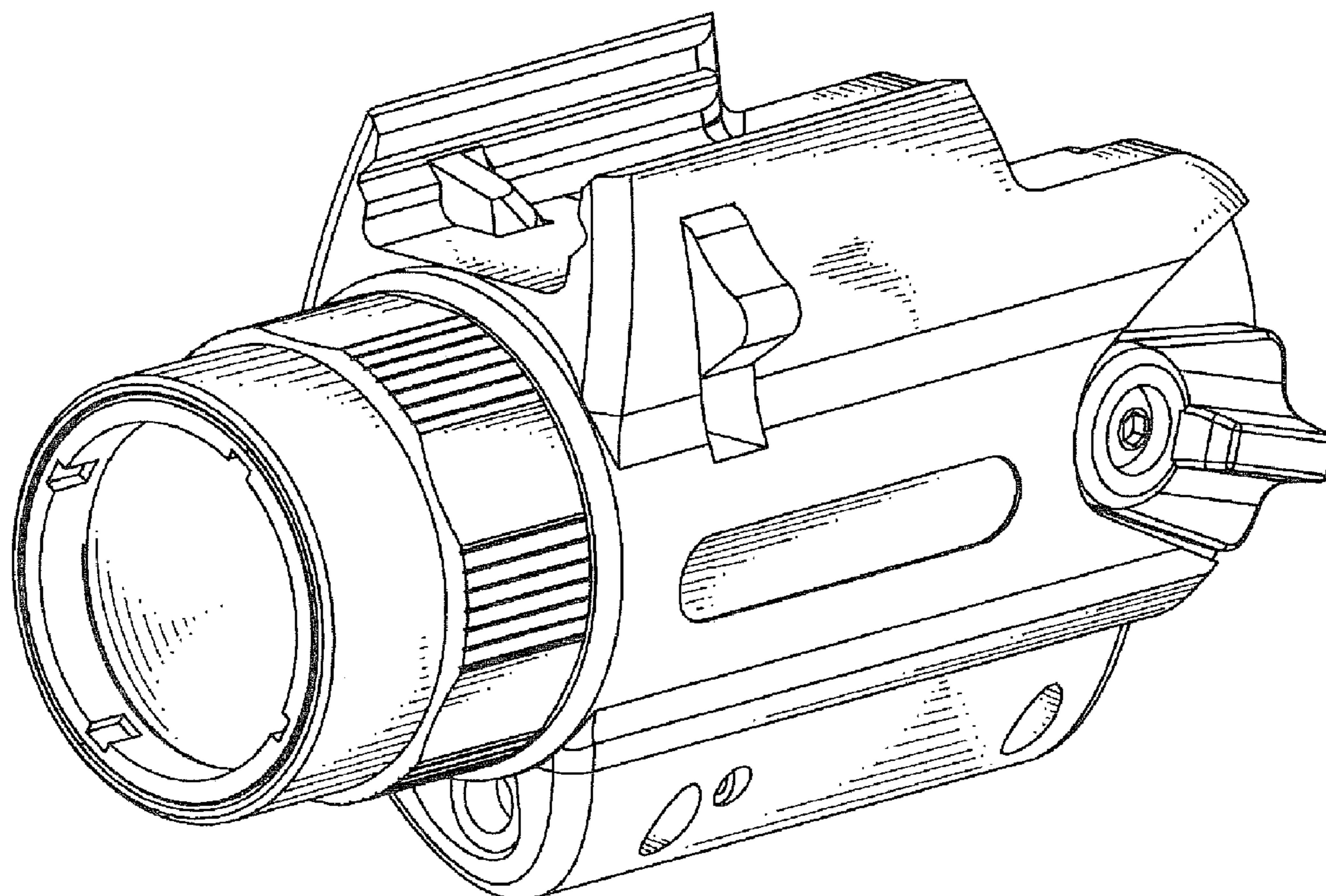
FIG. 4 is a top plan view thereof;

FIG. 5 is a rear view thereof;

FIG. 6 is a left side view thereof; and,

FIG. 7 is a bottom plan view thereof.

1 Claim, 5 Drawing Sheets



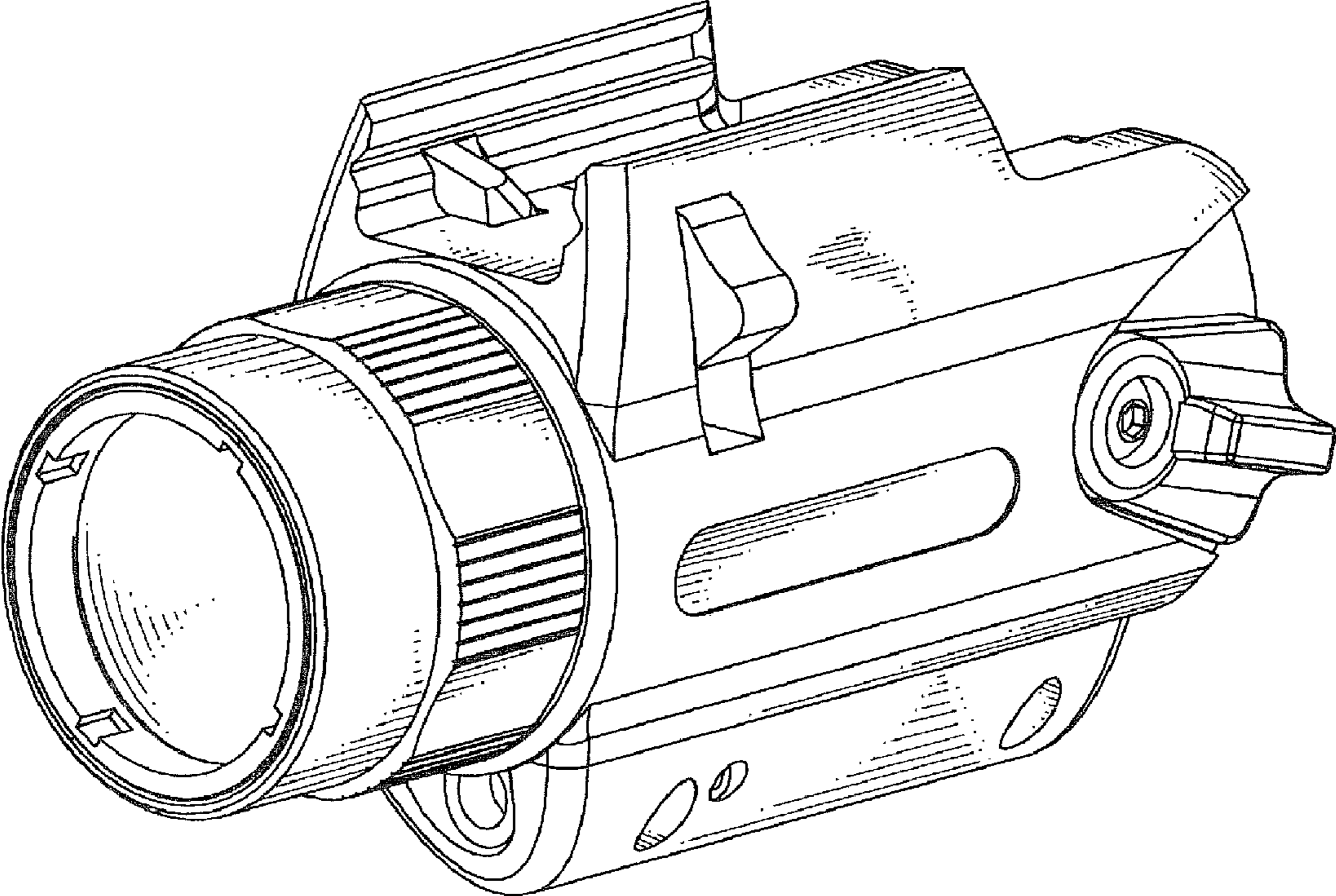


FIG. 1

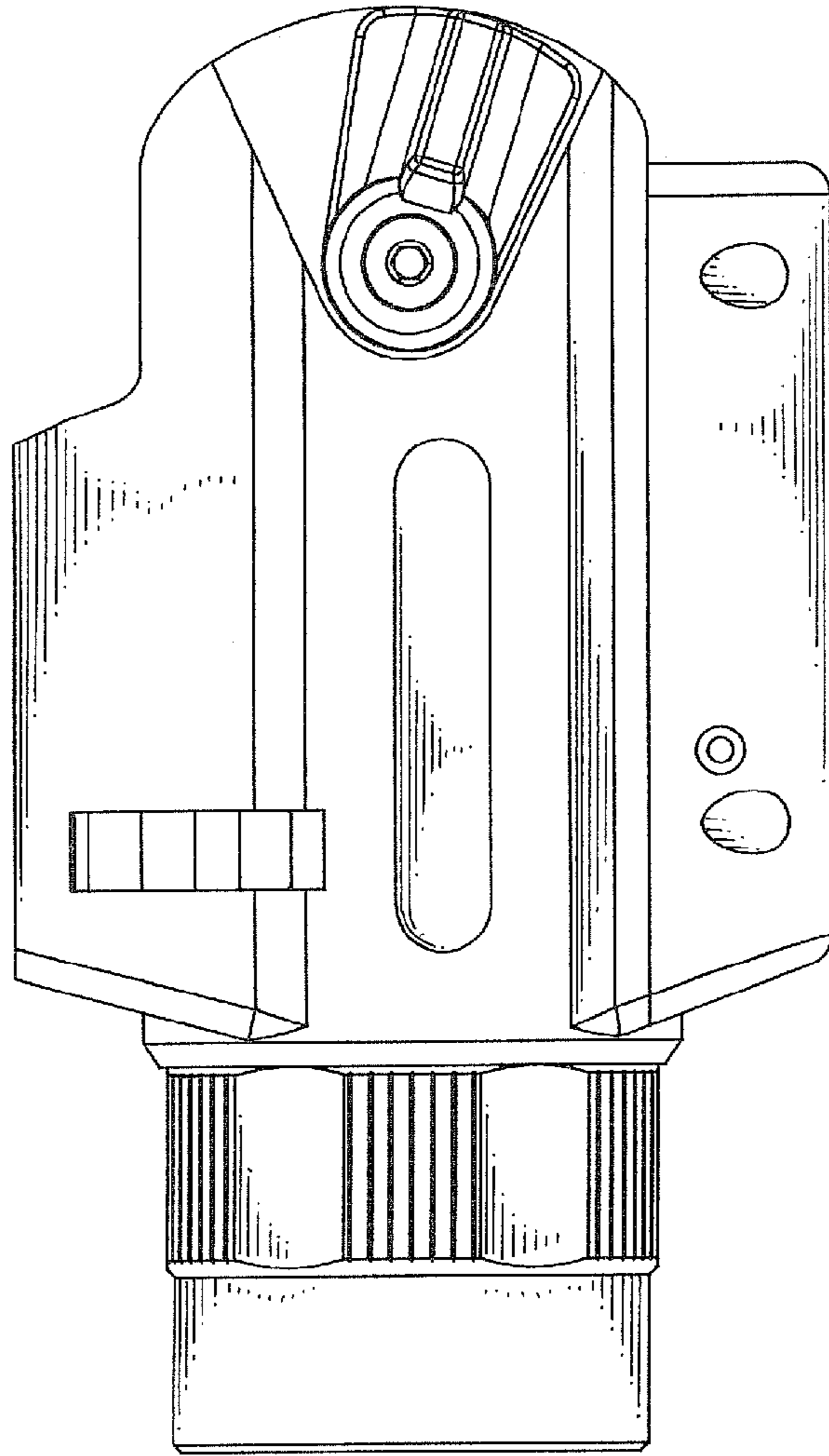


FIG. 3

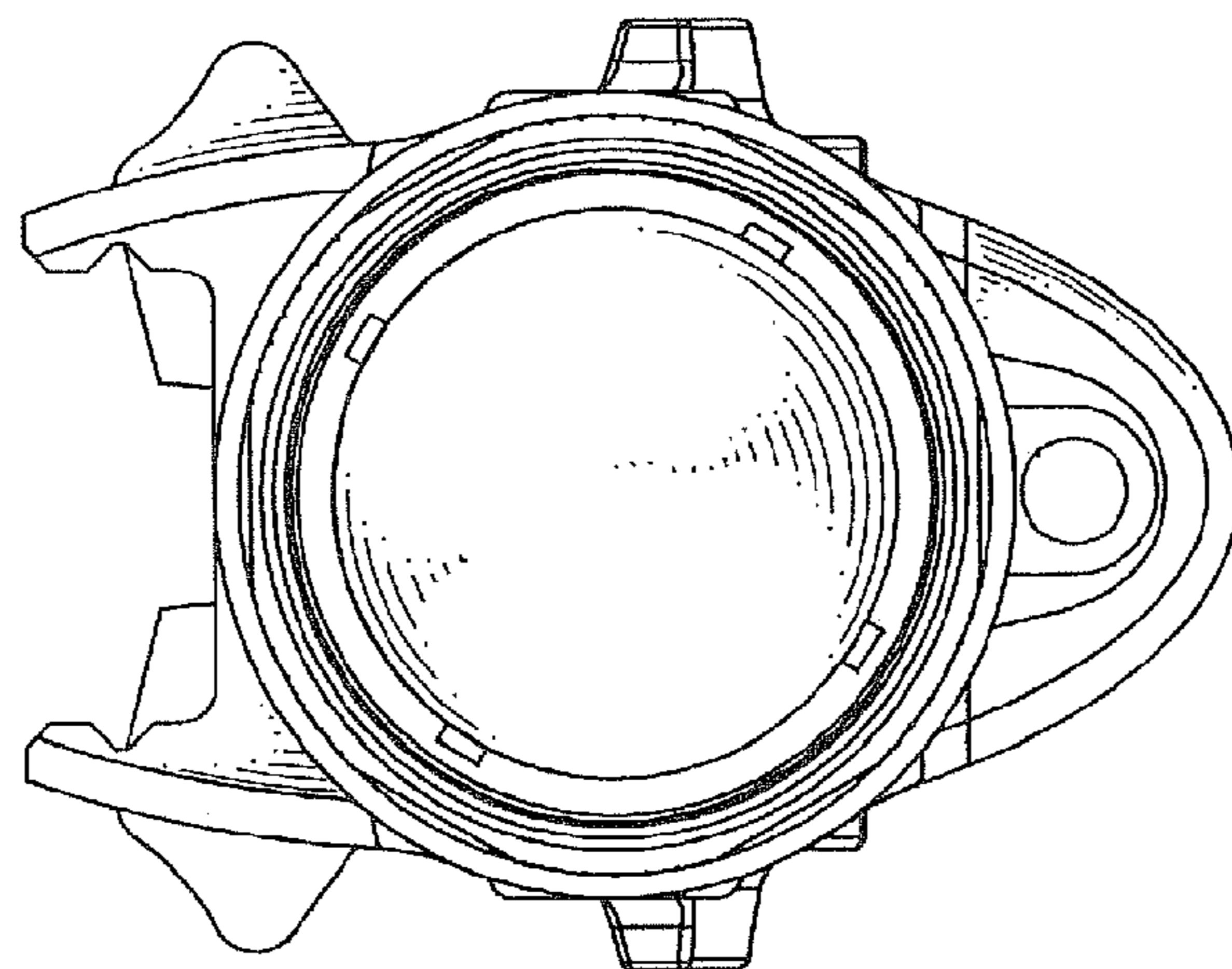


FIG. 2

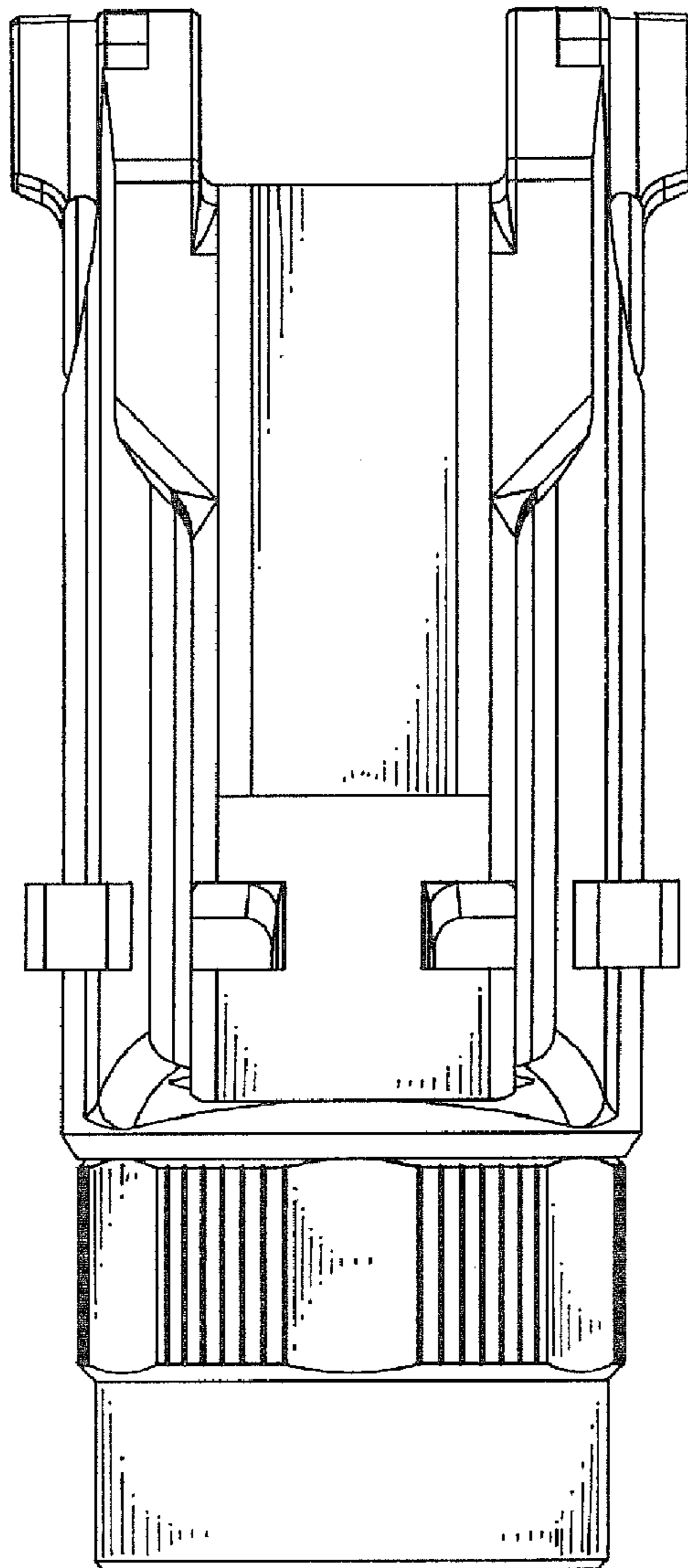


FIG. 4

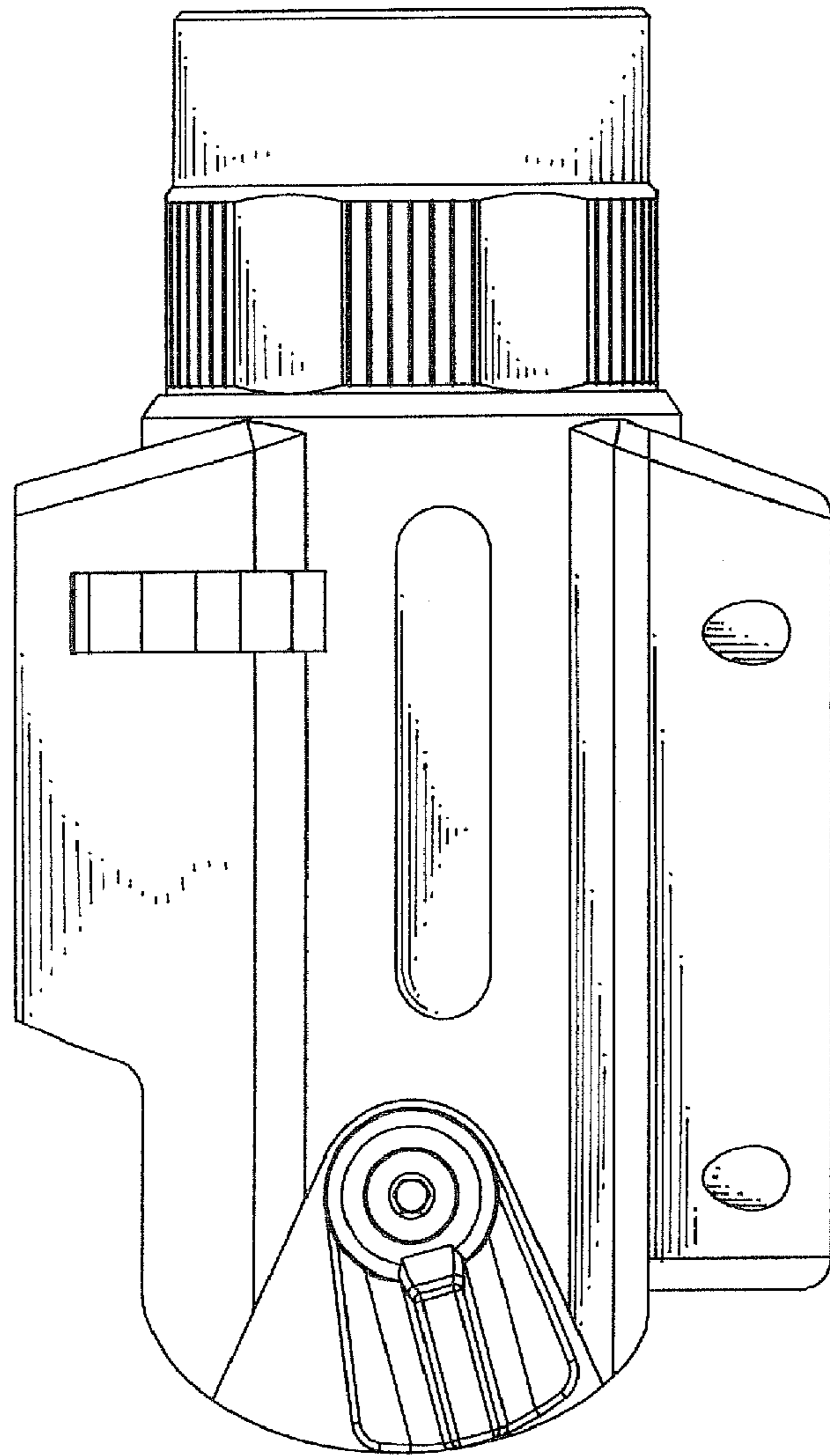


FIG. 6

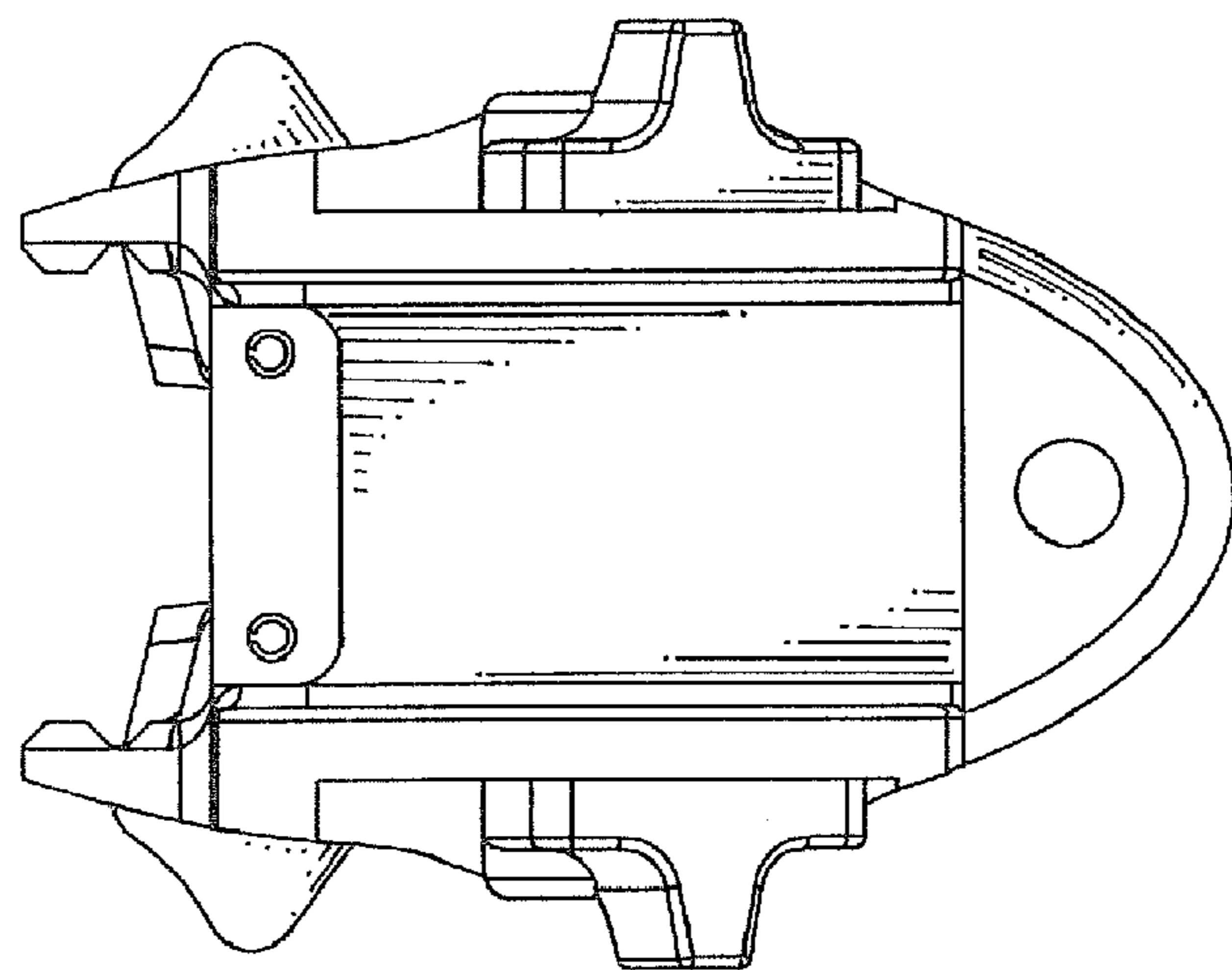


FIG. 5

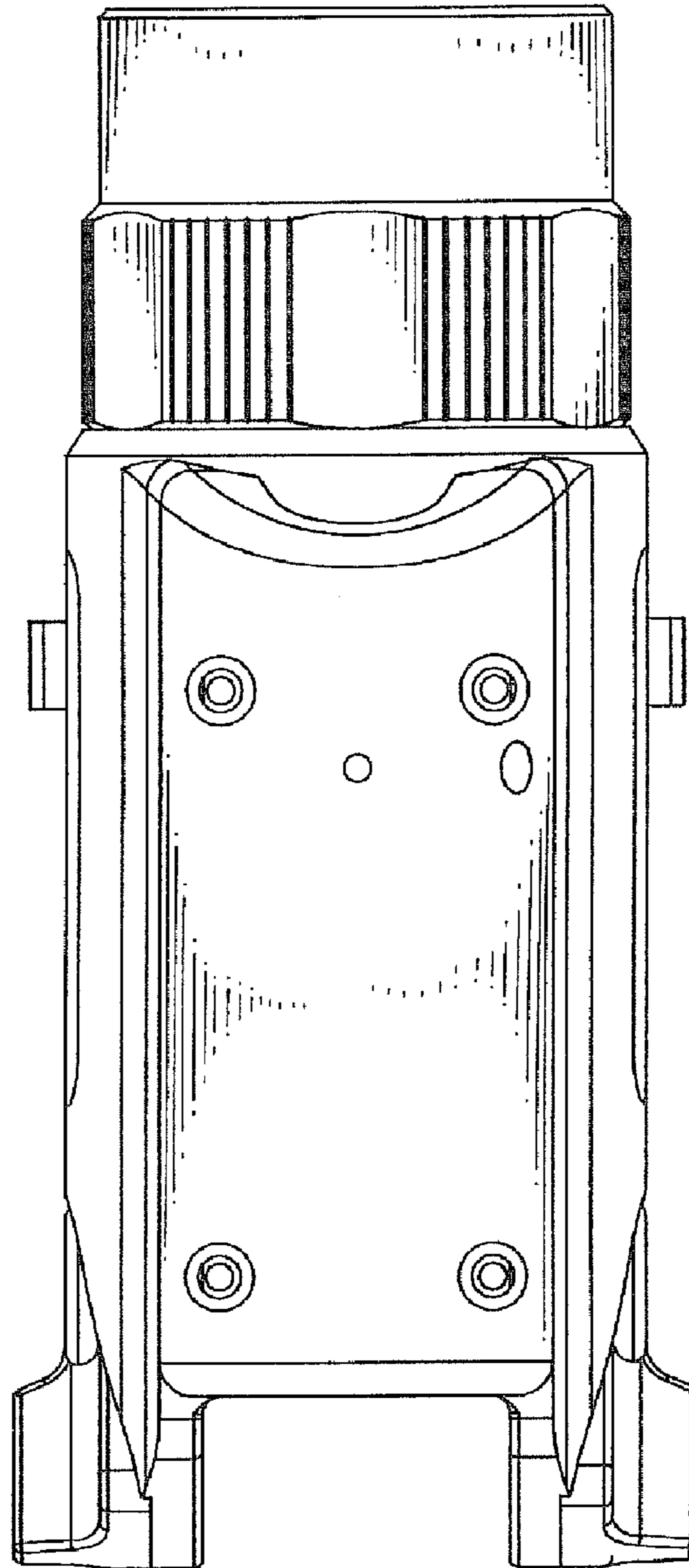


FIG. 7