



US00D578593S

(12) **United States Design Patent**
Oldknow et al.

(10) **Patent No.:** **US D578,593 S**
(45) **Date of Patent:** **** Oct. 14, 2008**

(54) **GOLF CLUB HEAD FOR A PUTTER**

(75) Inventors: **Andrew G. V. Oldknow**, Beaverton, OR (US); **David N. Franklin**, Granbury, TX (US); **John T. Stites**, Weatherford, TX (US)

(73) Assignee: **Nike, Inc.**, Beaverton, OR (US)

(**) Term: **14 Years**

(21) Appl. No.: **29/321,325**

(22) Filed: **Jul. 15, 2008**

(51) **LOC (8) Cl.** **21-02**

(52) **U.S. Cl.** **D21/759**

(58) **Field of Classification Search** D21/736-746, D21/759; 473/324-331, 340-341, 251-256
See application file for complete search history.

(56) **References Cited**

U.S. PATENT DOCUMENTS

D149,156 S	3/1948	Weatherington	
D192,515 S	4/1962	Henrich	
3,997,170 A	12/1976	Goldberg	
D356,846 S	3/1995	Murrill	
D360,009 S *	7/1995	Grace	D21/736
D389,539 S	1/1998	Moore	
D394,688 S	5/1998	Fox	
D398,946 S	9/1998	Kenmi	
D399,290 S	10/1998	Sizemore, Jr.	
D399,898 S	10/1998	Stone et al.	
D400,942 S	11/1998	Billings	
D401,301 S	11/1998	Cherevko	
D401,980 S	12/1998	Neumann	
6,080,070 A	6/2000	Whitley	
D433,073 S	10/2000	Sodano	
D437,018 S	1/2001	Leysock	
D502,233 S *	2/2005	Grace	D21/736
D502,234 S *	2/2005	Grace	D21/736
D507,319 S	7/2005	Kramski	
D513,776 S *	1/2006	Grace	D21/736
D522,599 S	6/2006	Johnson	
D523,102 S	6/2006	Stites et al.	
D524,395 S	7/2006	Madore et al.	
D524,397 S	7/2006	Madore et al.	

D529,108 S	9/2006	Stites et al.	
D534,974 S	1/2007	Haack	
D538,368 S	3/2007	Rollinson et al.	
D540,897 S	4/2007	Oldknow et al.	
D541,361 S	4/2007	Oldknow	
D541,362 S	4/2007	Oldknow	
D541,895 S	5/2007	Barez et al.	
D543,598 S	5/2007	Kuan et al.	
D544,557 S	6/2007	Oldknow	
7,232,379 B2	6/2007	Riseley	
D546,407 S	7/2007	Oldknow	
D564,609 S	3/2008	Oldknow et al.	
D566,214 S	4/2008	Evans et al.	
D568,953 S	5/2008	Harbert et al.	
D574,048 S *	7/2008	Kadoya	D21/759
D574,049 S *	7/2008	Kadoya	D21/759
2008/0039228 A1	2/2008	Breier et al.	
2008/0146369 A1	6/2008	Wahl et al.	

OTHER PUBLICATIONS

Golf Smith Catalog, #4156 TGI System Putter, p. 72, dated 1998.
Edwin Watts 2004 Holiday Catalog, Voodoo Daddy Putter #6064, p. 54.

* cited by examiner

Primary Examiner—Mitchell I Siegel
(74) *Attorney, Agent, or Firm*—Banner & Witcoff, Ltd.

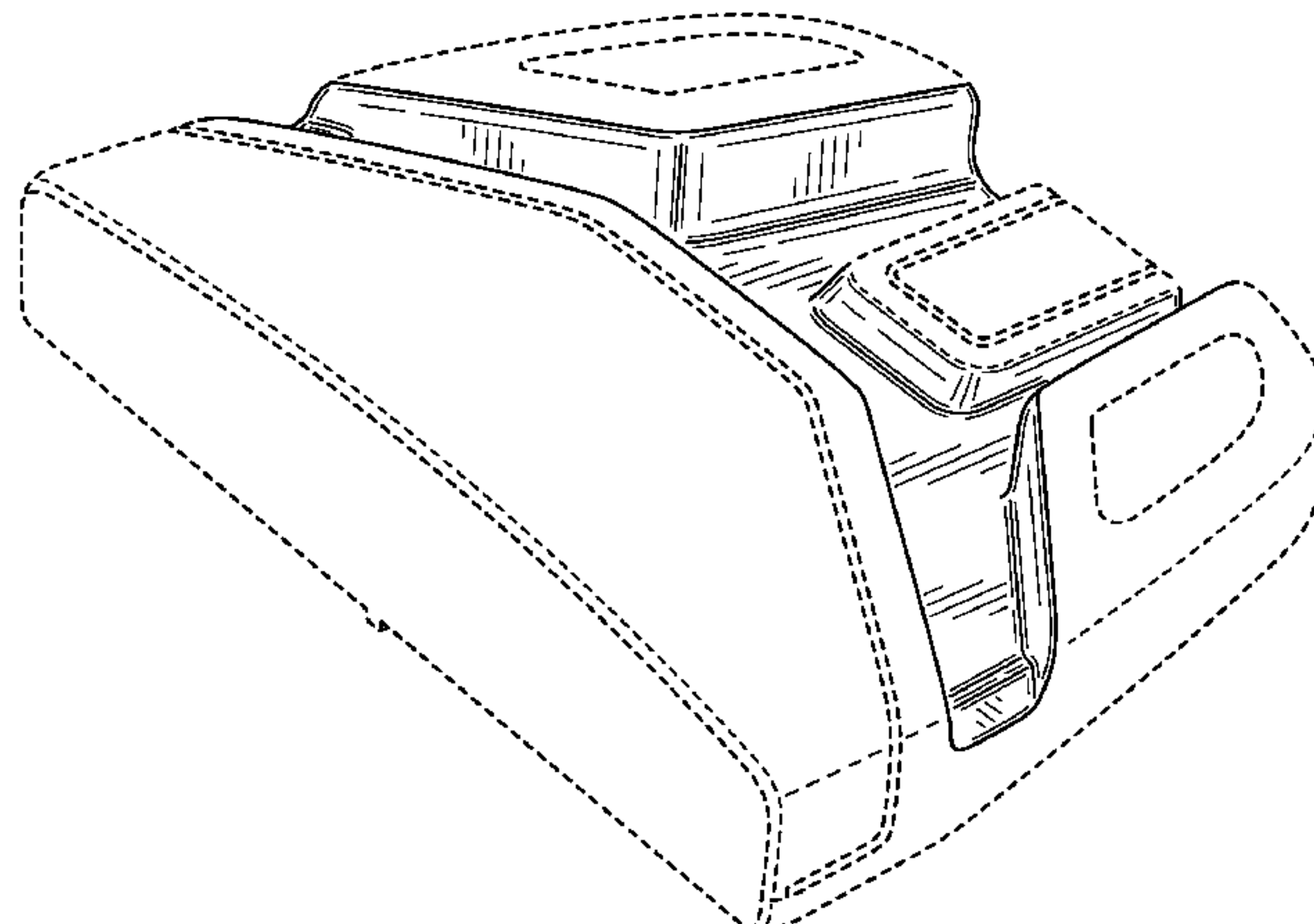
(57) **CLAIM**

The ornamental design for a golf club head for a putter, as shown and described.

DESCRIPTION

FIG. 1 is a bottom perspective view of a golf club head for a putter showing our new design;
FIG. 2 is a bottom plan view thereof;
FIG. 3 is a rear view thereof;
FIG. 4 is a toe end view thereof; and,
FIG. 5 is a heel end view thereof.
The broken line showing of the remainder of the golf club head for a putter is for illustrative purposes only and forms no part of the claimed design.

1 Claim, 2 Drawing Sheets



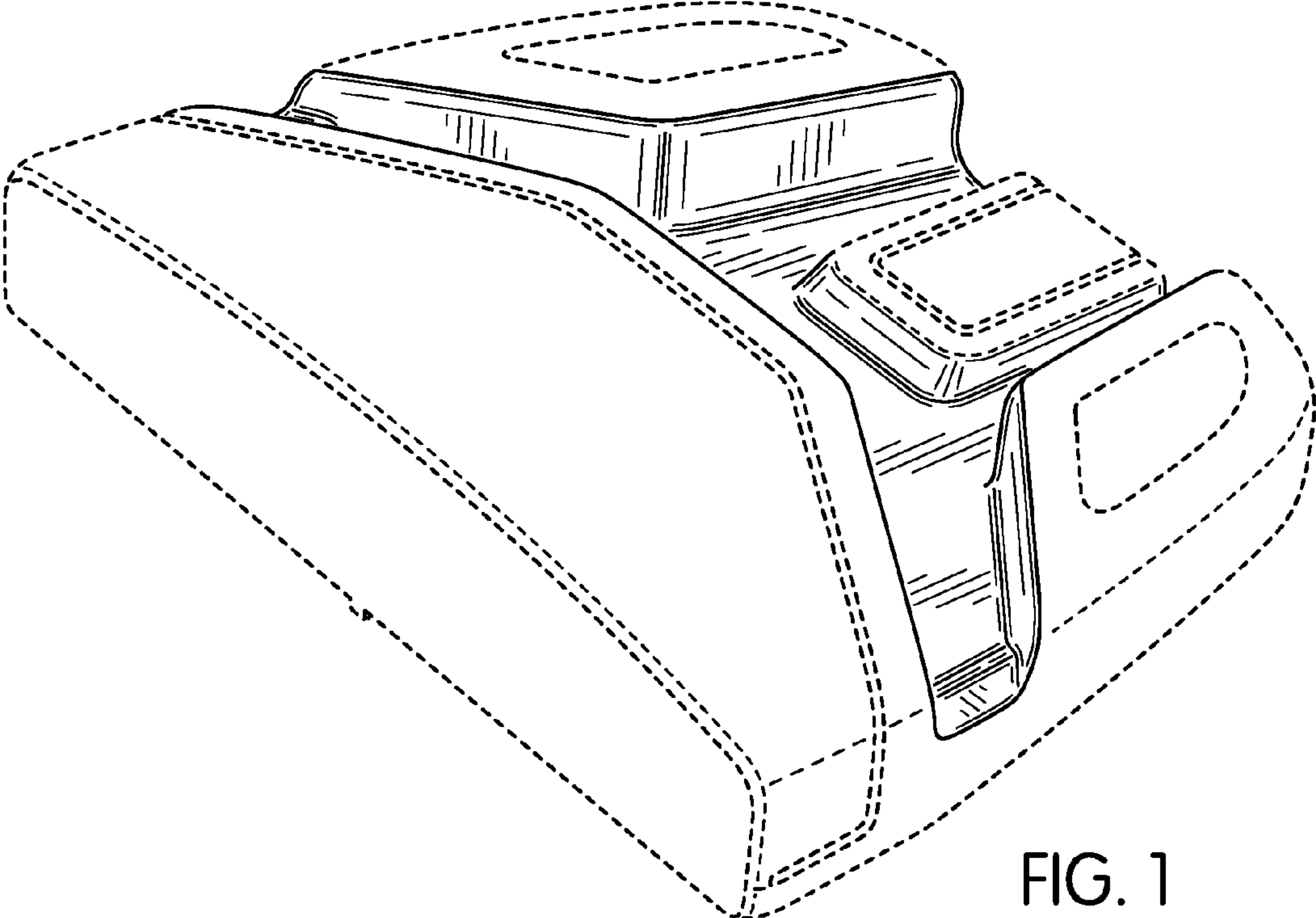


FIG. 1

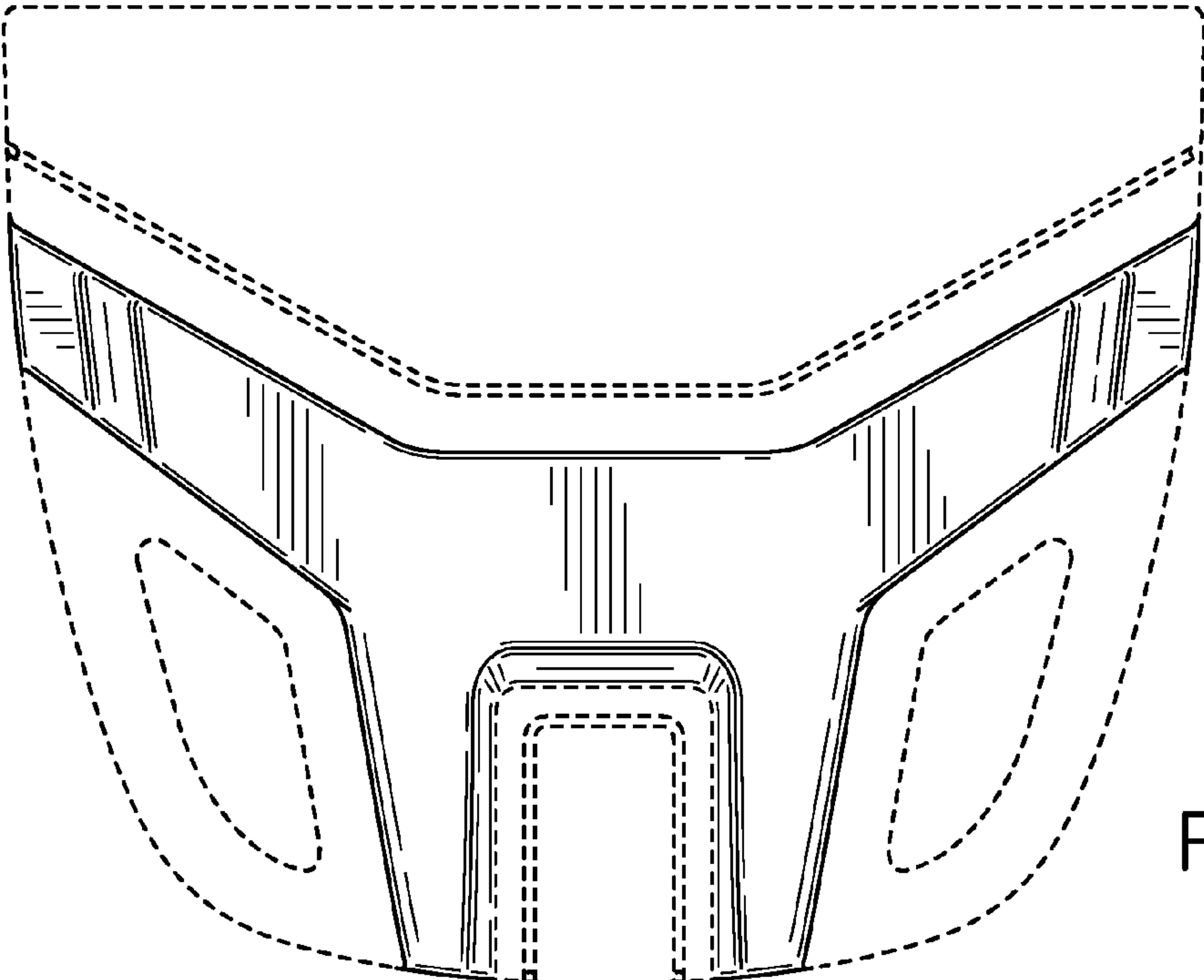


FIG. 2

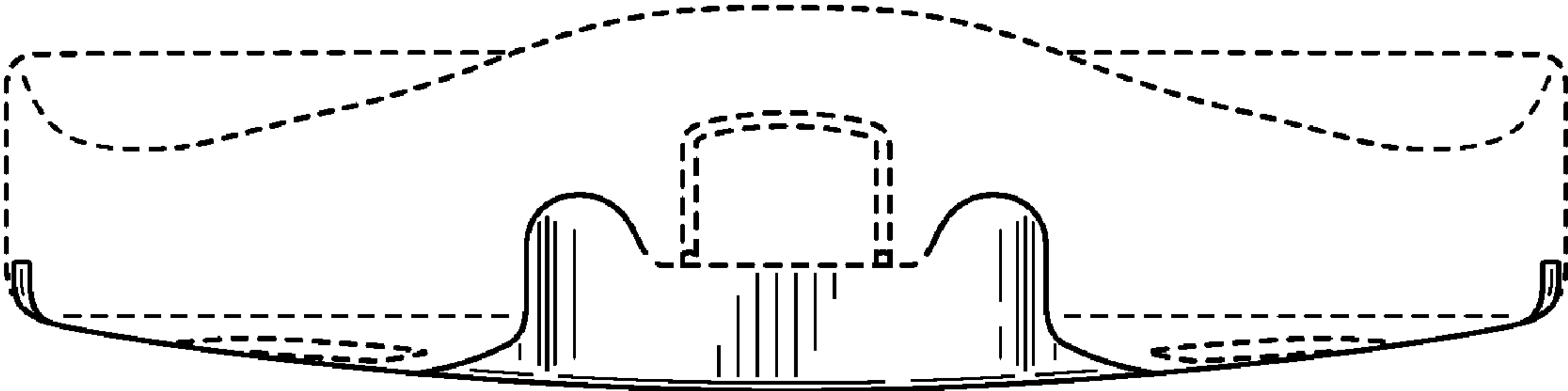


FIG. 3

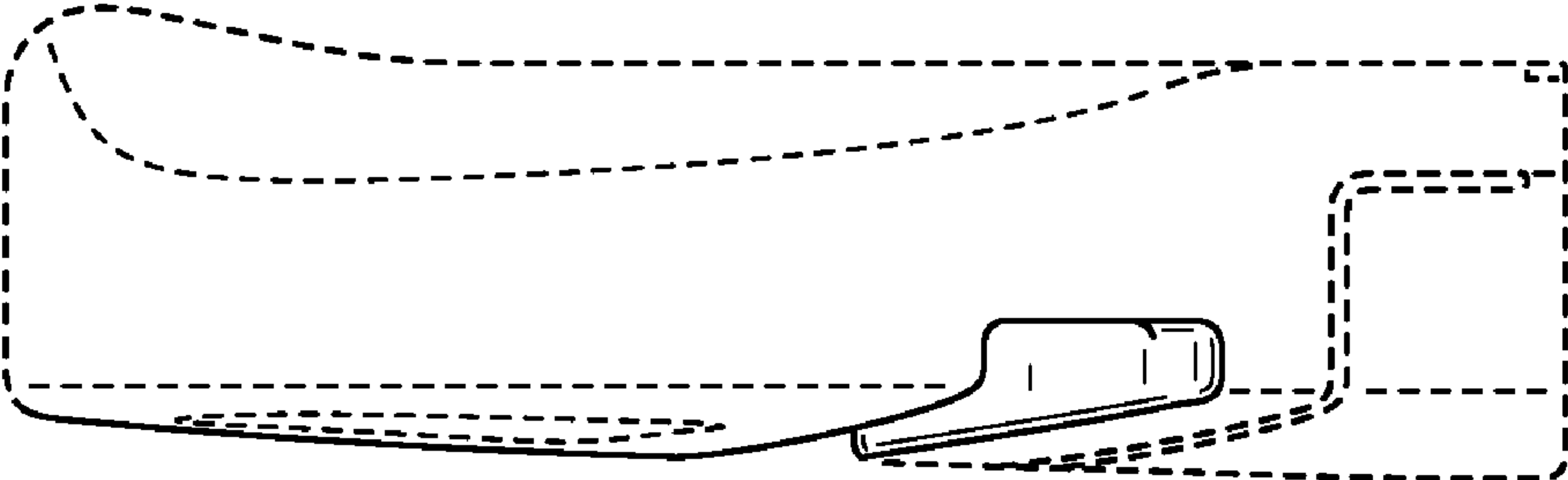


FIG. 4

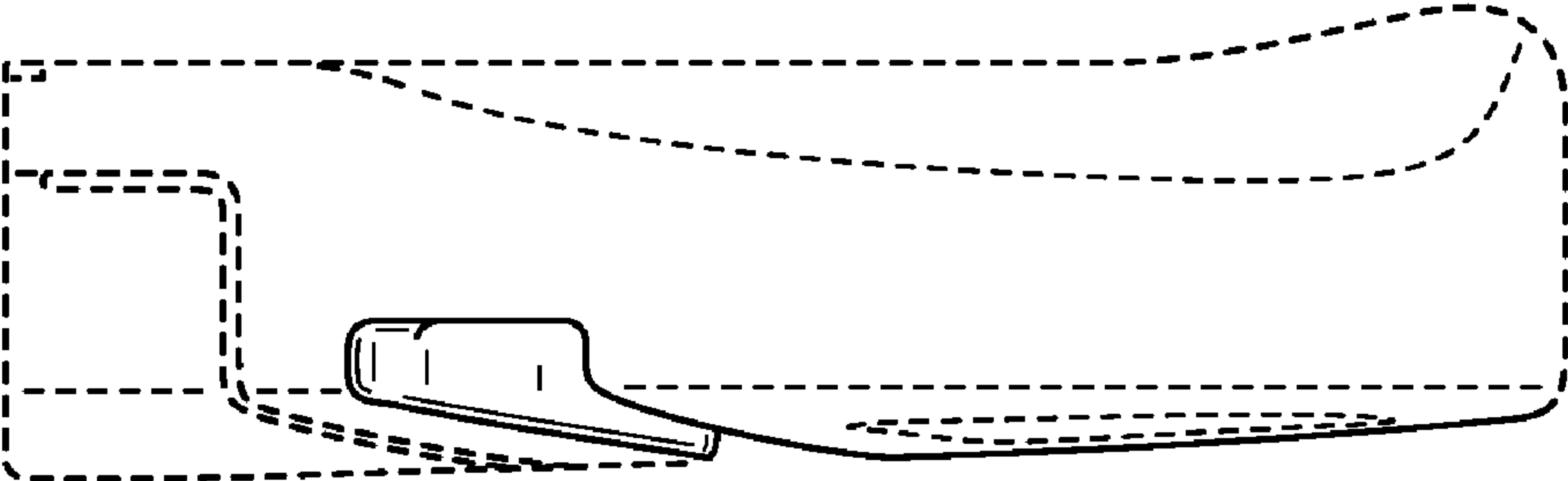


FIG. 5