

US00D578592S

(12) **United States Design Patent**
Oldknow et al.

(10) **Patent No.:** **US D578,592 S**

(45) **Date of Patent:** **** Oct. 14, 2008**

(54) **GOLF CLUB HEAD**

(75) Inventors: **Andrew G. V. Oldknow**, Beaverton, OR
(US); **John T. Stites**, Weatherford, TX
(US)

(73) Assignee: **Nike, Inc.**, Beaverton, OR (US)

(**) Term: **14 Years**

(21) Appl. No.: **29/321,267**

(22) Filed: **Jul. 14, 2008**

(51) **LOC (8) Cl.** **21-02**

(52) **U.S. Cl.** **D21/759**

(58) **Field of Classification Search** D21/733,
D21/752, 759; 473/321–334, 343–346
See application file for complete search history.

(56) **References Cited**

U.S. PATENT DOCUMENTS

D266,344 S	*	9/1982	Duclos	D21/752
D275,412 S		9/1984	Simmons		
5,257,786 A		11/1993	Gorman		
D344,561 S	*	2/1994	Gorman	D21/752
5,441,263 A		8/1995	Gorman		
D375,535 S	*	11/1996	Gorman	D21/752
5,643,107 A	*	7/1997	Gorman	473/328
D383,181 S	*	9/1997	Gorman	D21/752
D416,967 S		11/1999	Ackerman		
5,989,134 A		11/1999	Antonious		
D444,522 S		7/2001	Crousore		
D458,325 S		6/2002	Antonious		
D460,991 S	*	7/2002	Madore	D21/759
D484,937 S		1/2004	Madore et al.		
D490,489 S		5/2004	Madore		
D492,973 S		7/2004	Madore		
D498,508 S		11/2004	Antonious		
D505,701 S	*	5/2005	Dogan et al.	D21/733
D515,642 S		2/2006	Antonious		
D515,643 S		2/2006	Ortiz		
7,008,332 B2		3/2006	Liou		
D520,585 S		5/2006	Hasebe		
D521,091 S		5/2006	Mahaffey et al.		
D532,469 S		11/2006	Oldknow		
D532,470 S		11/2006	Oldknow		

D532,471 S	11/2006	Oldknow
D532,853 S	11/2006	Oldknow
D532,854 S	11/2006	Oldknow
D532,855 S	11/2006	Madore
D534,598 S	1/2007	Barez et al.
D538,871 S	3/2007	Barez et al.
D564,611 S	3/2008	Llewellyn et al.
7,367,900 B2	5/2008	Kumamoto
2008/0081709 A1	4/2008	Hirano

OTHER PUBLICATIONS

Goldsmith Catalog, #3083 Supertrack Metal Woods, p. 52, dated 1997.
 Edwin Watts 1998 Late Spring Catalog, AVDP XXL 300C Head Power, p. 24, dated 1998.
 Golf Smith Catalog, #3067 XTR-11 Plus Metal Driver, p. 64, dated 1998.
 Edwin Watts 1998 Summer Catalog, Super ADX Titanium Woods C, p. 15, dated 1998.
 Edwin Watts 1998 Summer Catalog, AVDP XXL 300 C Power A, p. 24, dated 1998.
 Edwin Watts Father's Day Catalog, 845 Forged Permission, p. 30, dated 2003.

* cited by examiner

Primary Examiner—Mitchell I Siegel
(74) *Attorney, Agent, or Firm*—Banner & Witcoff, Ltd.

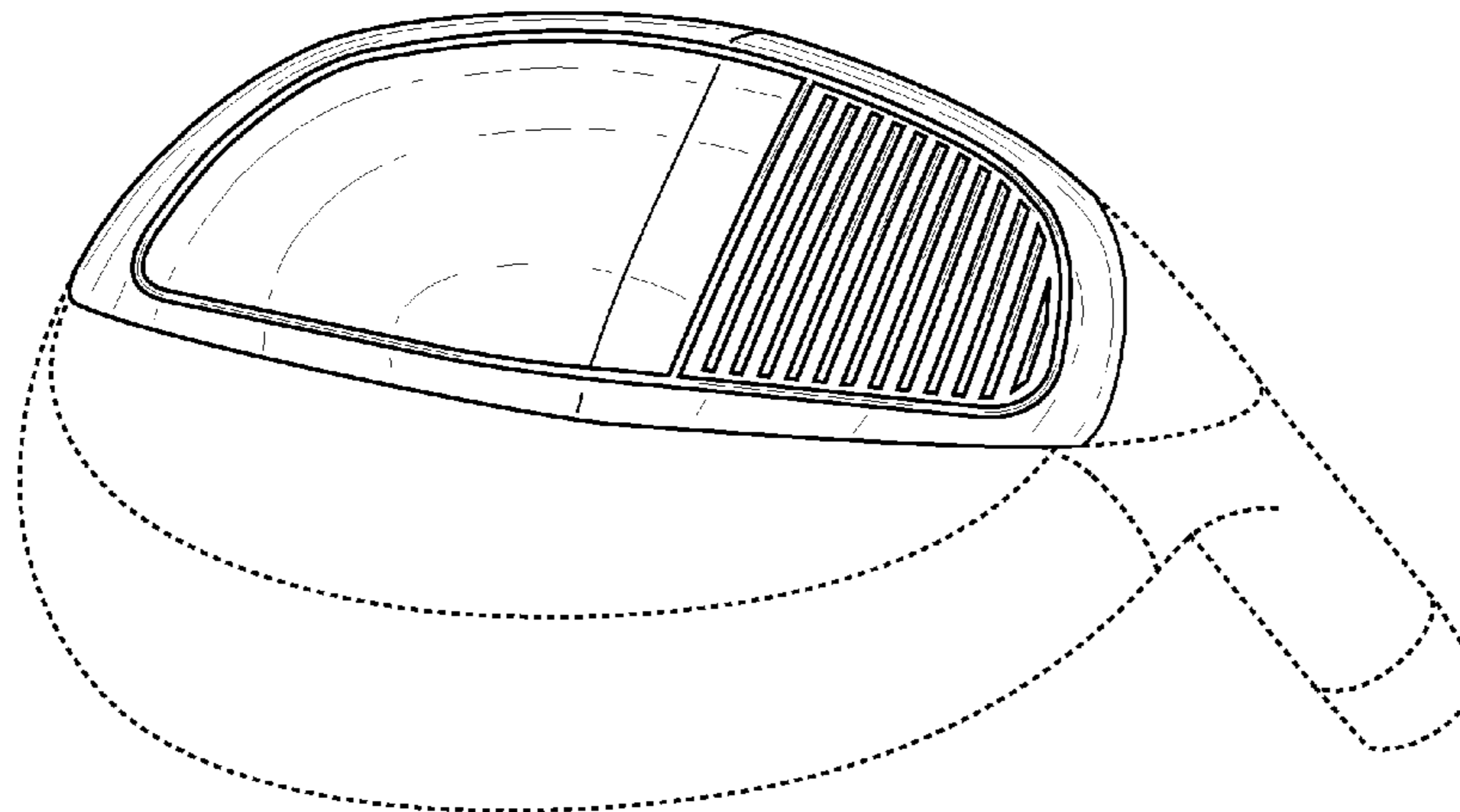
(57) **CLAIM**

The ornamental design for a golf club head, as shown and described.

DESCRIPTION

FIG. 1 is a bottom perspective view of a golf club head showing our new design;
 FIG. 2 is a heel end view thereof;
 FIG. 3 is a toe end view thereof;
 FIG. 4 is a rear view thereof; and,
 FIG. 5 is a bottom plan view thereof.
 The broken line showing of the remainder of the golf club head is for illustrative purposes only and forms no part of the claimed design.

1 Claim, 5 Drawing Sheets



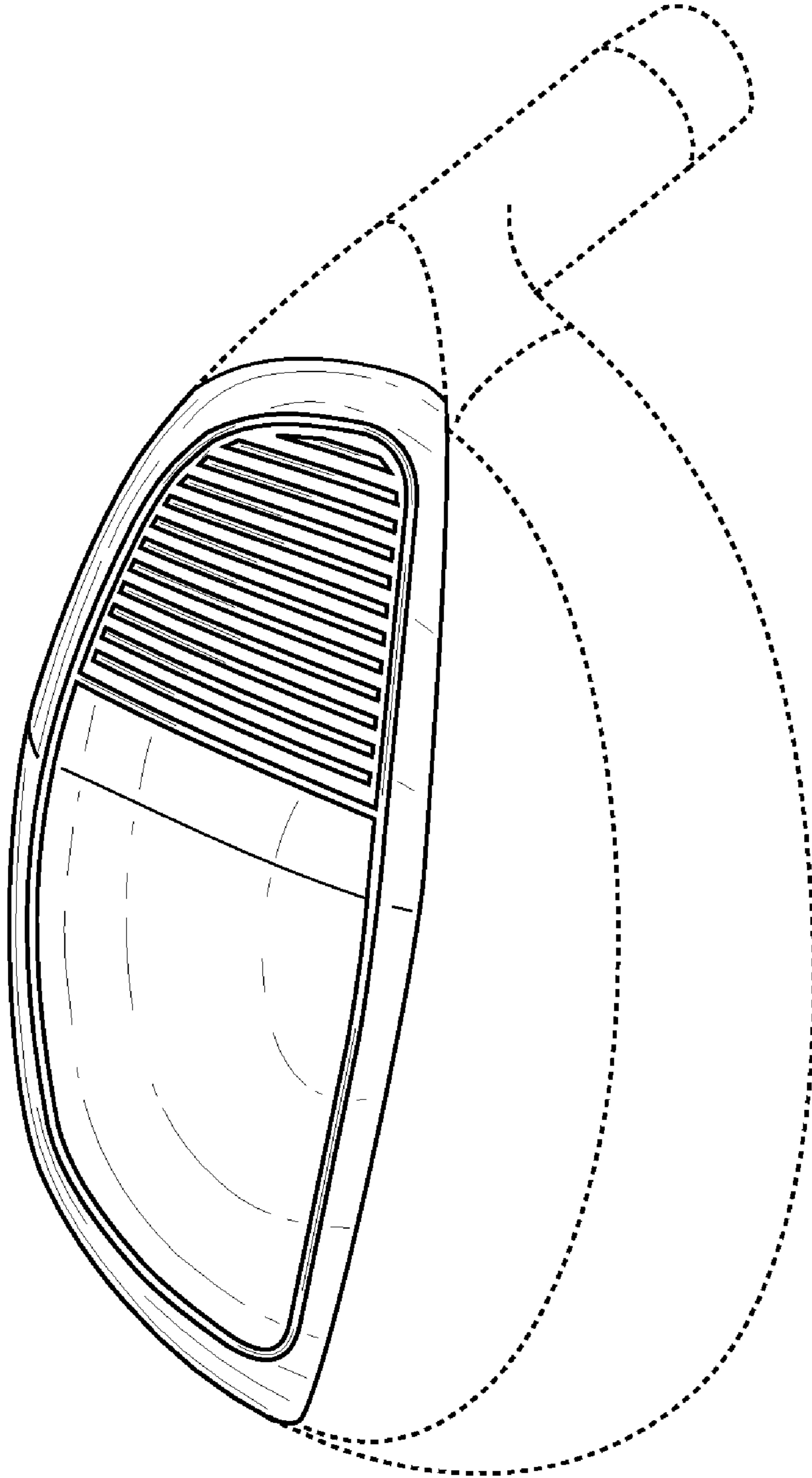


FIG. 1

FIG. 2

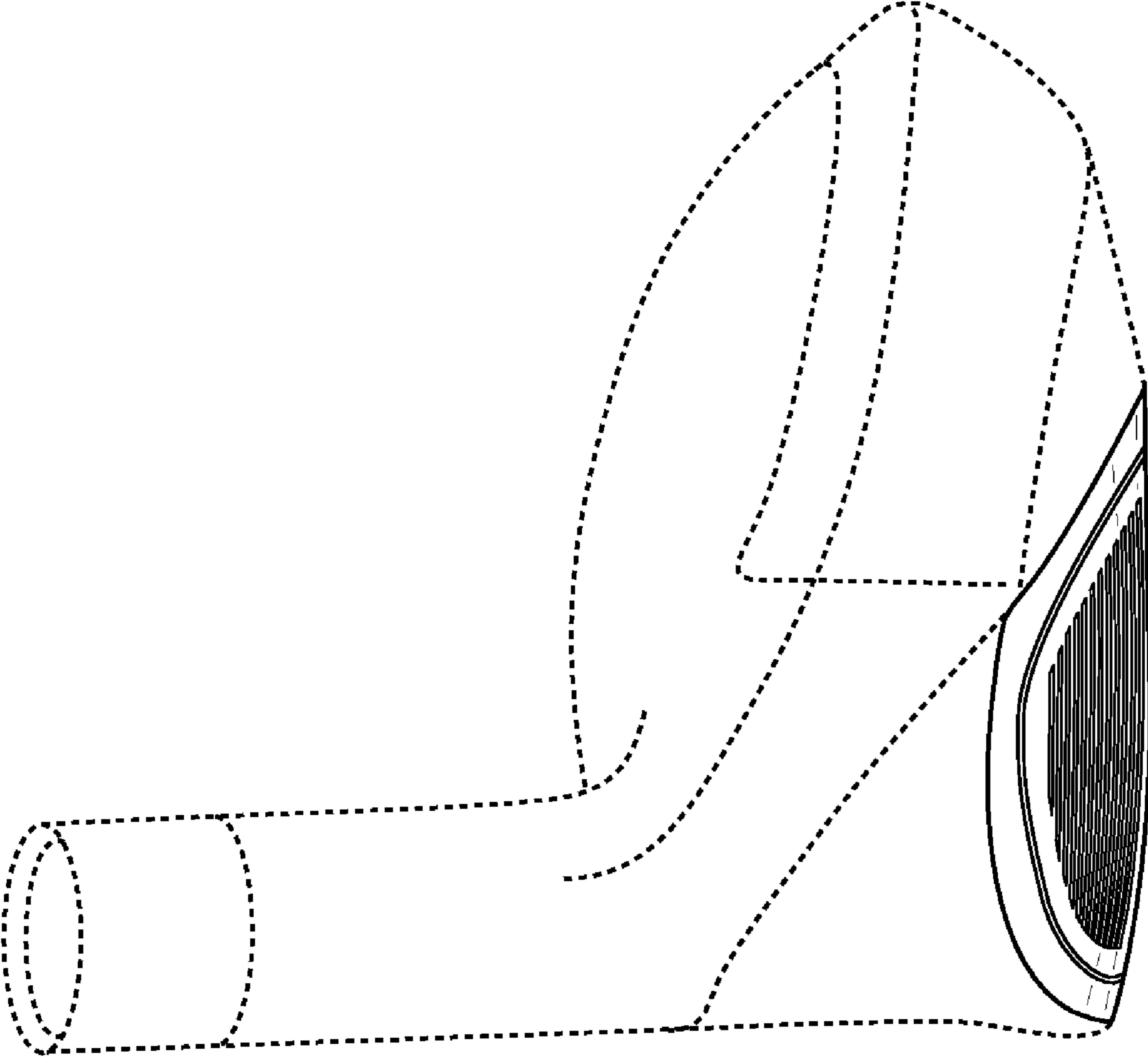
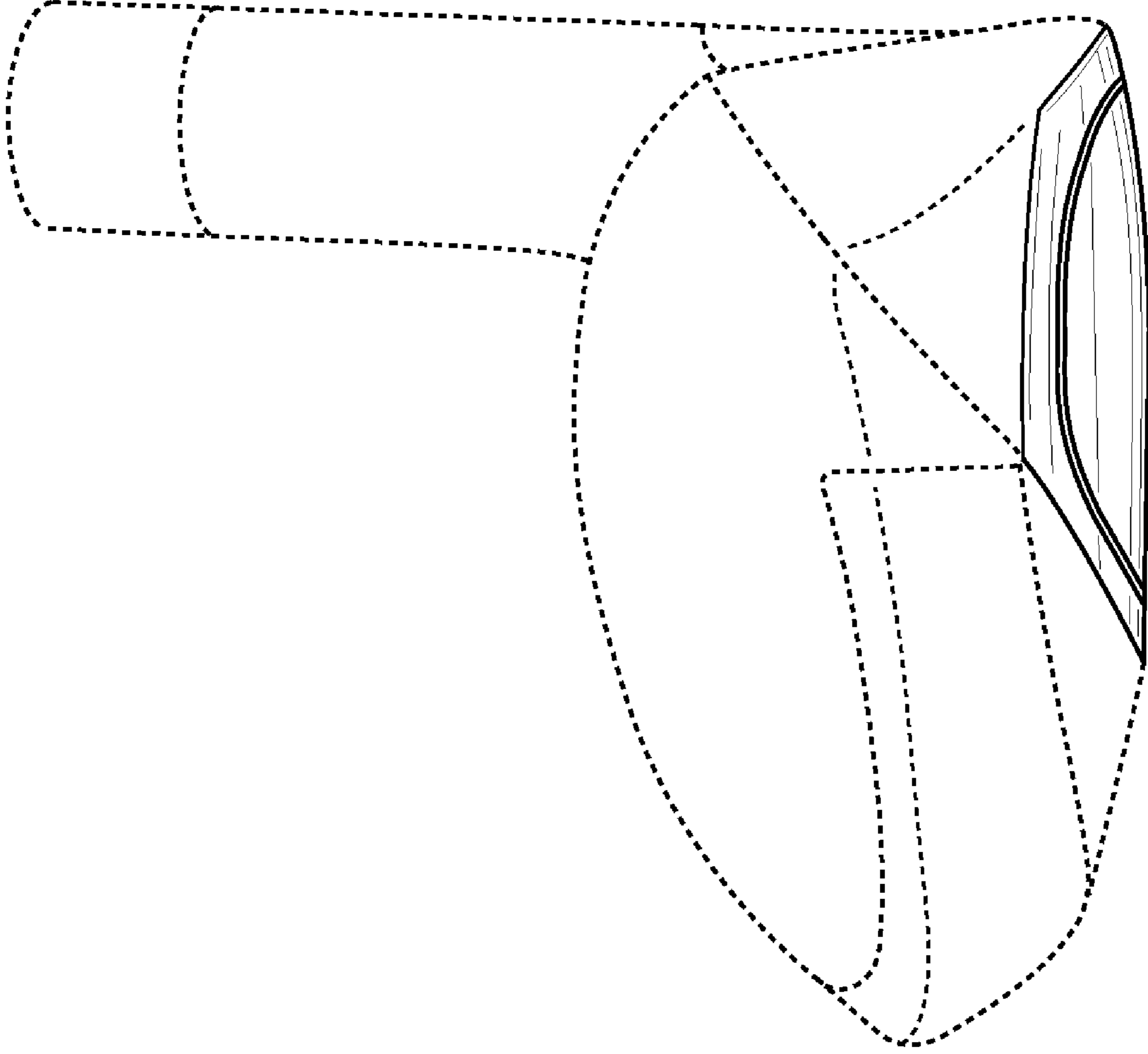


FIG. 3



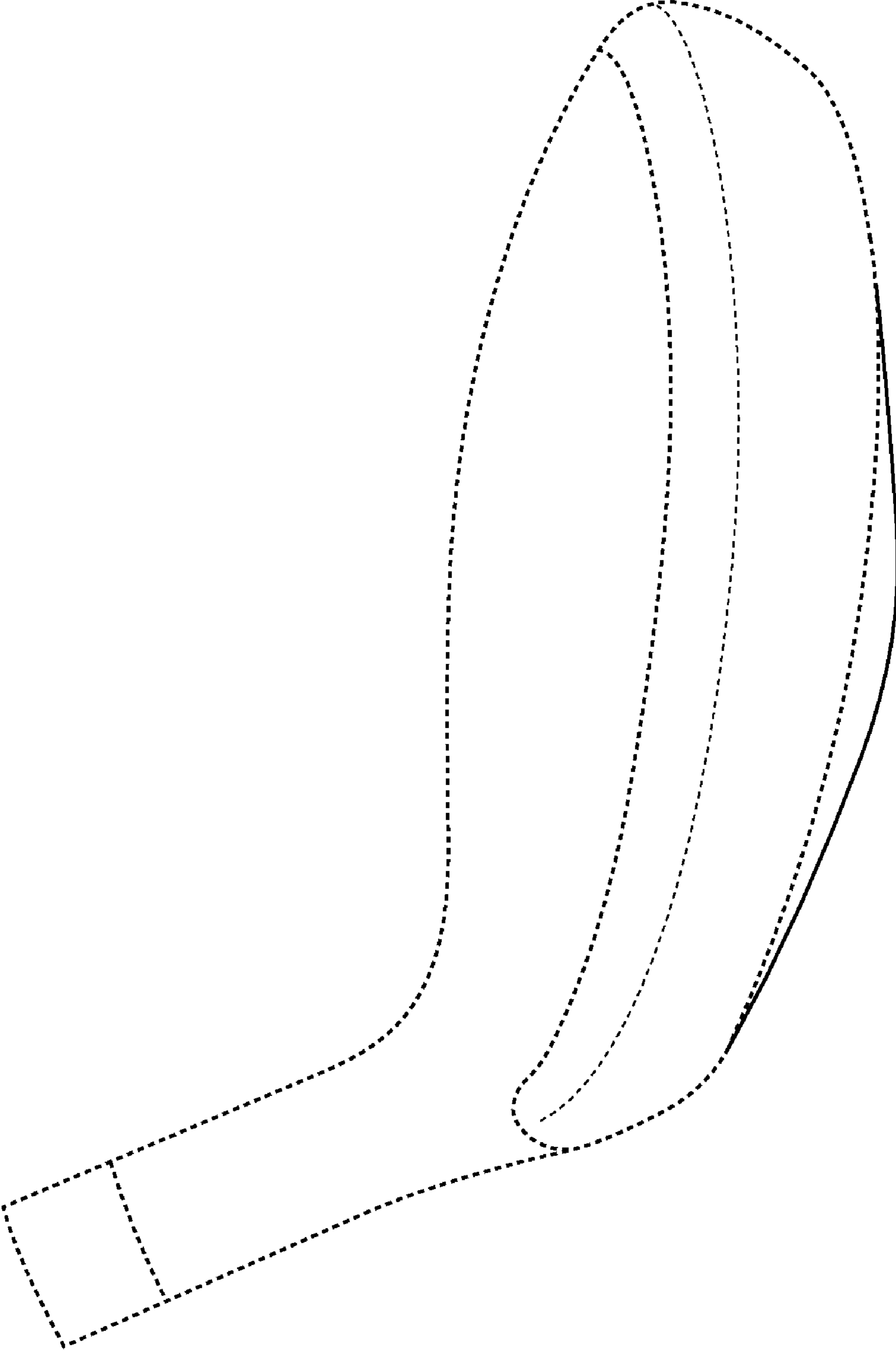


FIG. 4

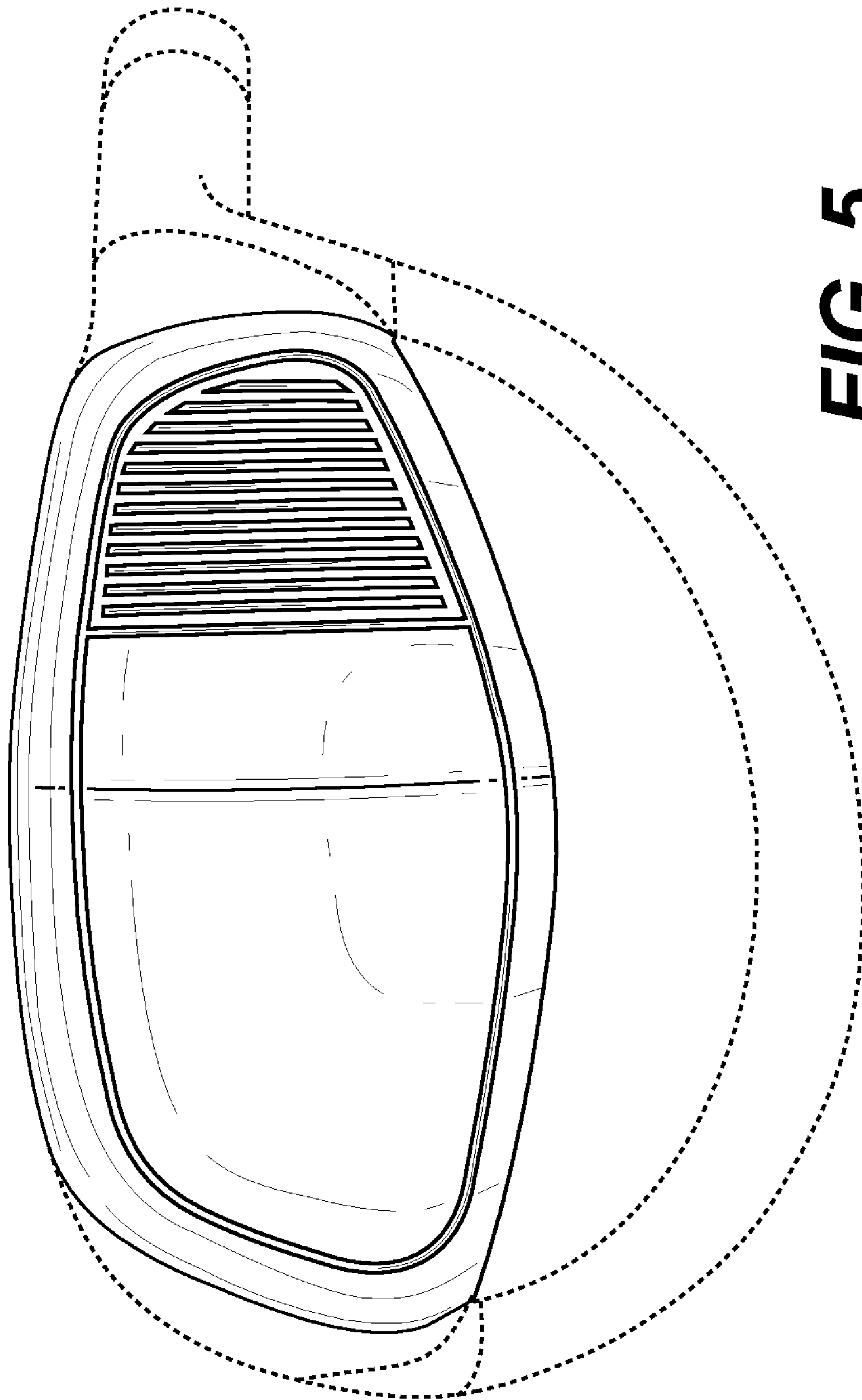


FIG. 5