



US00D578588S

(12) **United States Design Patent**
Oldknow et al.

(10) **Patent No.:** **US D578,588 S**

(45) **Date of Patent:** **** Oct. 14, 2008**

(54) **GOLF CLUB HEAD**

(75) Inventors: **Andrew G. V. Oldknow**, Beaverton, OR (US); **John T. Stites**, Weatherford, TX (US)

(73) Assignee: **Nike, Inc.**, Beaverton, OR (US)

(**) Term: **14 Years**

(21) Appl. No.: **29/321,264**

(22) Filed: **Jul. 14, 2008**

(51) **LOC (8) Cl.** **21-02**

(52) **U.S. Cl.** **D21/752**

(58) **Field of Classification Search** D21/733, D21/752, 759; 473/321-334, 343-346
See application file for complete search history.

(56) **References Cited**

U.S. PATENT DOCUMENTS

D266,344 S	9/1982	Duclos	
D275,412 S	9/1984	Simmons	
5,257,786 A	11/1993	Gorman	
D344,561 S	2/1994	Gorman	
5,441,263 A	8/1995	Gorman	
D372,063 S *	7/1996	Hueber D21/752
D375,535 S	11/1996	Gorman	
D383,181 S	9/1997	Gorman	
D416,967 S	11/1999	Ackerman	
5,989,134 A	11/1999	Antonious	
D444,522 S	7/2001	Crousore	
D446,268 S *	8/2001	Satoh et al. D21/733
D458,325 S	6/2002	Antonious	
D484,937 S	1/2004	Madore et al.	
D490,489 S	5/2004	Madore	
D492,973 S	7/2004	Madore	
D498,508 S	11/2004	Antonious	
D515,642 S	2/2006	Antonious	
D515,643 S	2/2006	Ortiz	
7,008,332 B2	3/2006	Liou	
D520,585 S	5/2006	Hasebe	
D521,091 S	5/2006	Mahaffey et al.	
D532,469 S *	11/2006	Oldknow D21/752
D532,470 S *	11/2006	Oldknow D21/752
D532,471 S	11/2006	Oldknow	

D532,853 S *	11/2006	Oldknow D21/752
D532,854 S	11/2006	Oldknow	
D532,855 S	11/2006	Madore	
D534,598 S	1/2007	Barez et al.	
D538,871 S	3/2007	Barez et al.	
D561,859 S *	2/2008	Haralson et al. D21/759
D564,611 S	3/2008	Llewellyn et al.	
7,367,900 B2	5/2008	Kumamoto	
2008/0081709 A1	4/2008	Hirano	

OTHER PUBLICATIONS

Goldsmith Catalog, #3083 Supertrack Metal Woods, p. 52, dated 1997.
Edwin Watts 1998 Late Spring Catalog, AVDP XXL 300C Head Power, p. 24, dated 1998.
Golf Smith Catalog, #3067 XTR-11 Plus Metal Driver, p. 64, dated 1998.
Edwin Watts 1998 Summer Catalog, Super ADX Titanium Woods C, p. 15, dated 1998.
Edwin Watts 1998 Summer Catalog, AVDP XXL 300 C Power A, p. 24, dated 1998.
Edwin Watts Father's Day Catalog, 845 Forged Permission, p. 30, dated 2003.

* cited by examiner

Primary Examiner—Mitchell I Siegel
(74) *Attorney, Agent, or Firm*—Banner & Witcoff, Ltd.

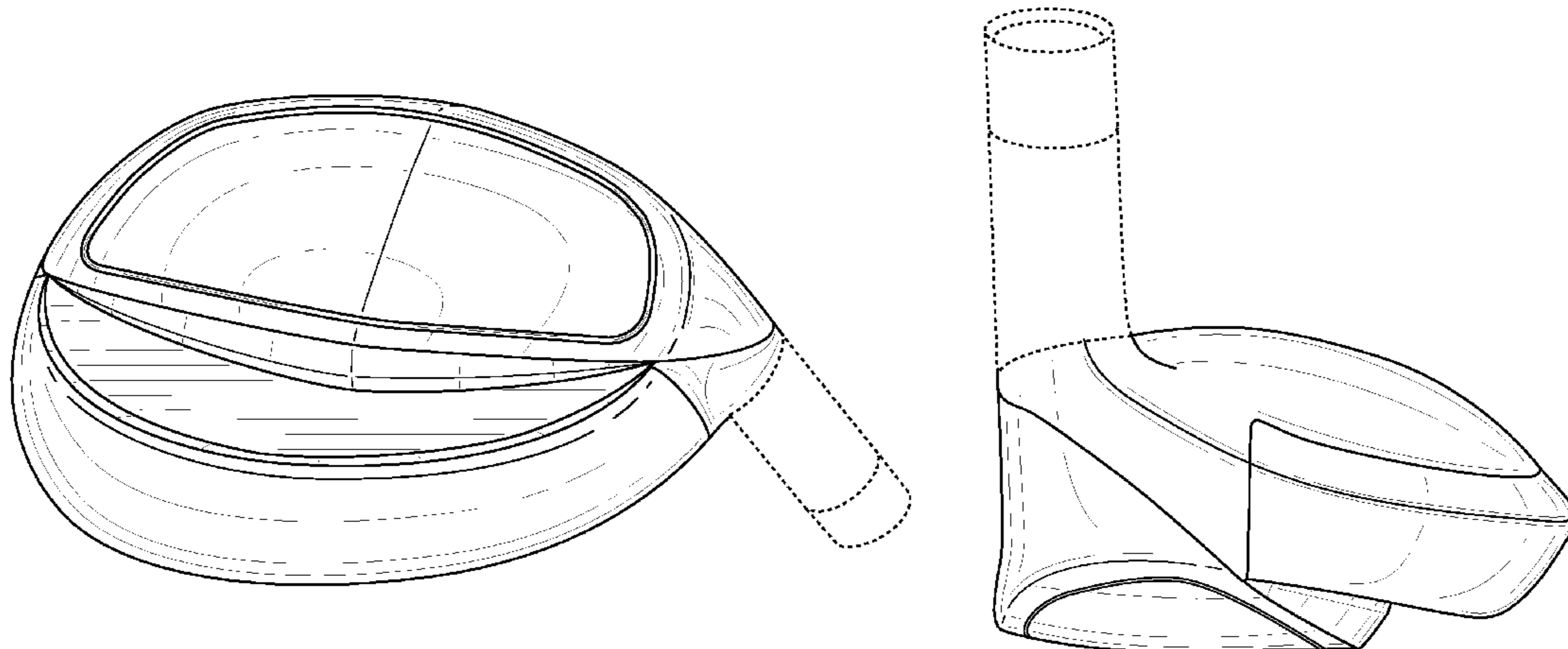
(57) **CLAIM**

The ornamental design for a golf club head, as shown and described.

DESCRIPTION

FIG. 1 is a bottom perspective view of a golf club head showing our new design;
FIG. 2 is a heel end view thereof;
FIG. 3 is a toe end view thereof;
FIG. 4 is a rear view thereof; and,
FIG. 5 is a bottom view thereof.
The broken line showing of the remainder of the golf club head is for illustrative purposes only and forms no part of the claimed design.

1 Claim, 5 Drawing Sheets



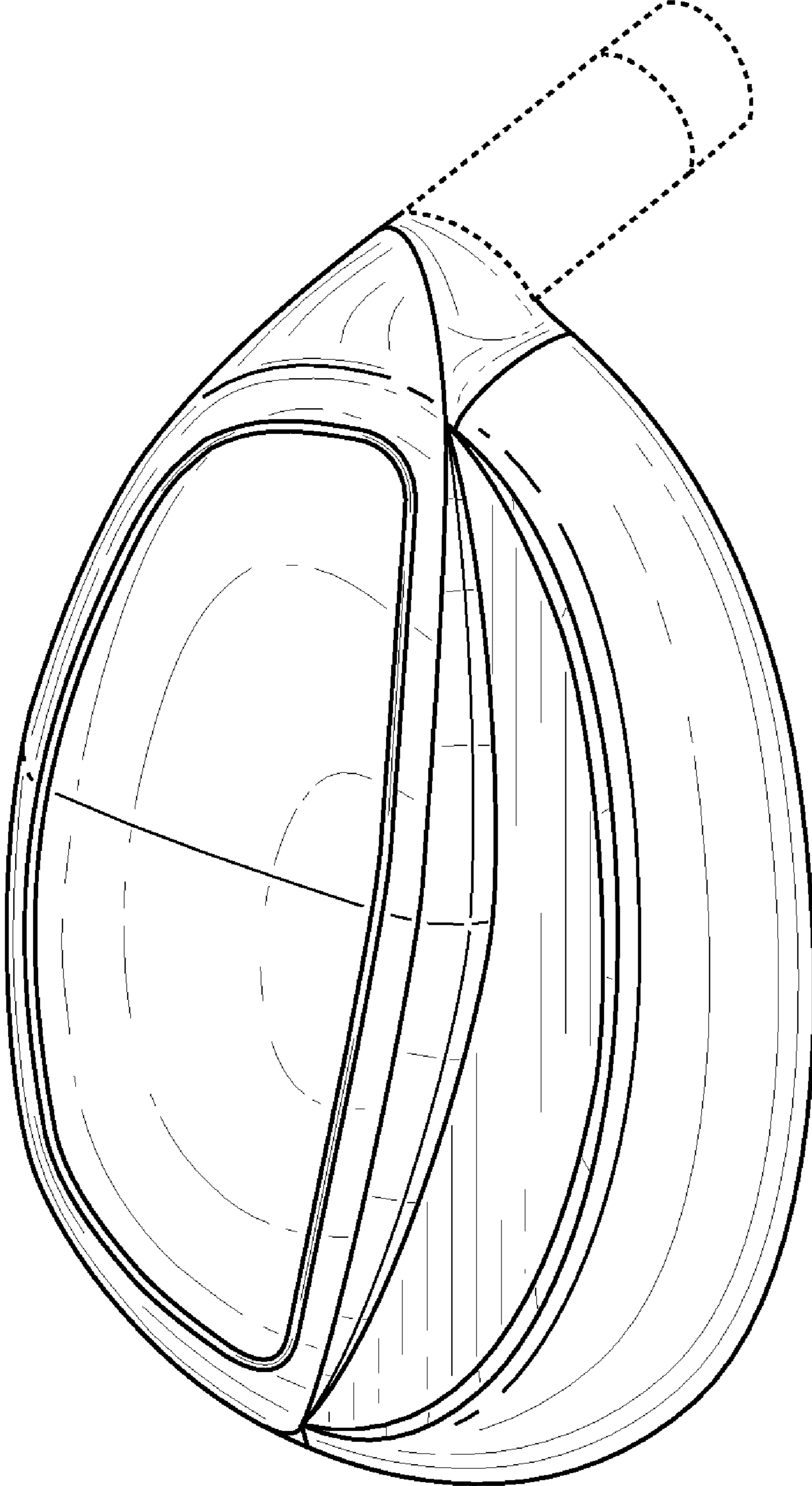


FIG. 1

FIG. 2

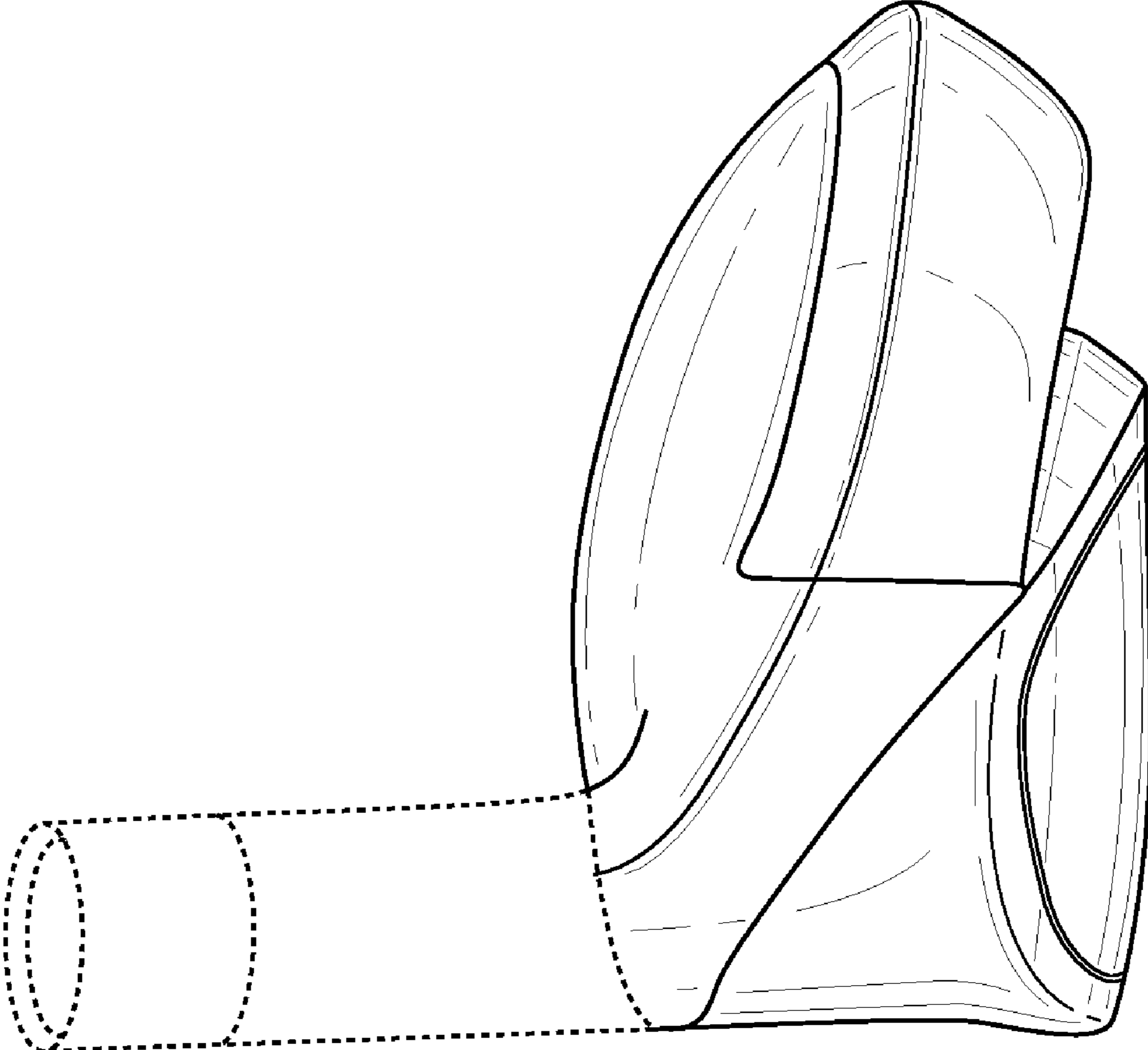
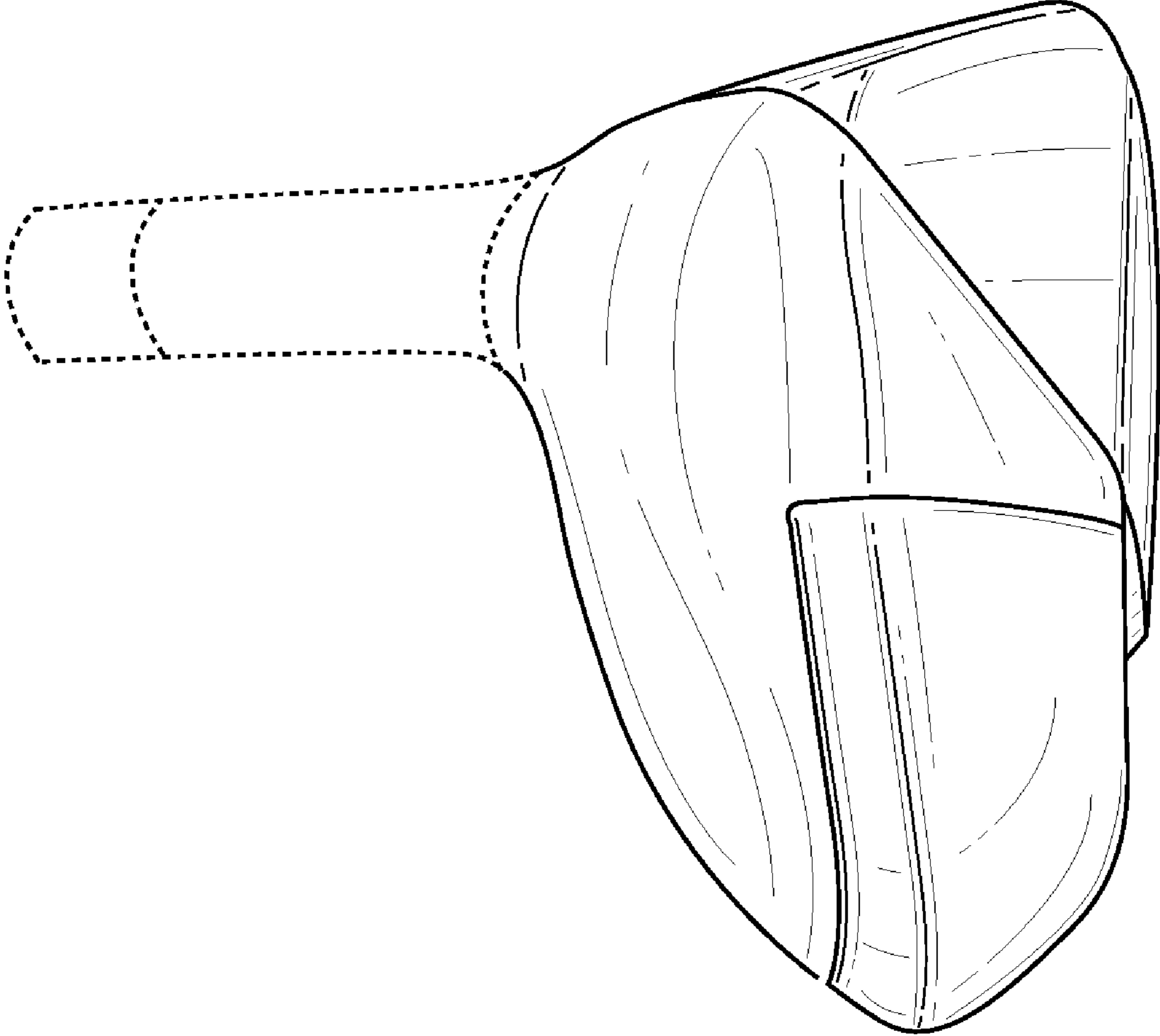


FIG. 3



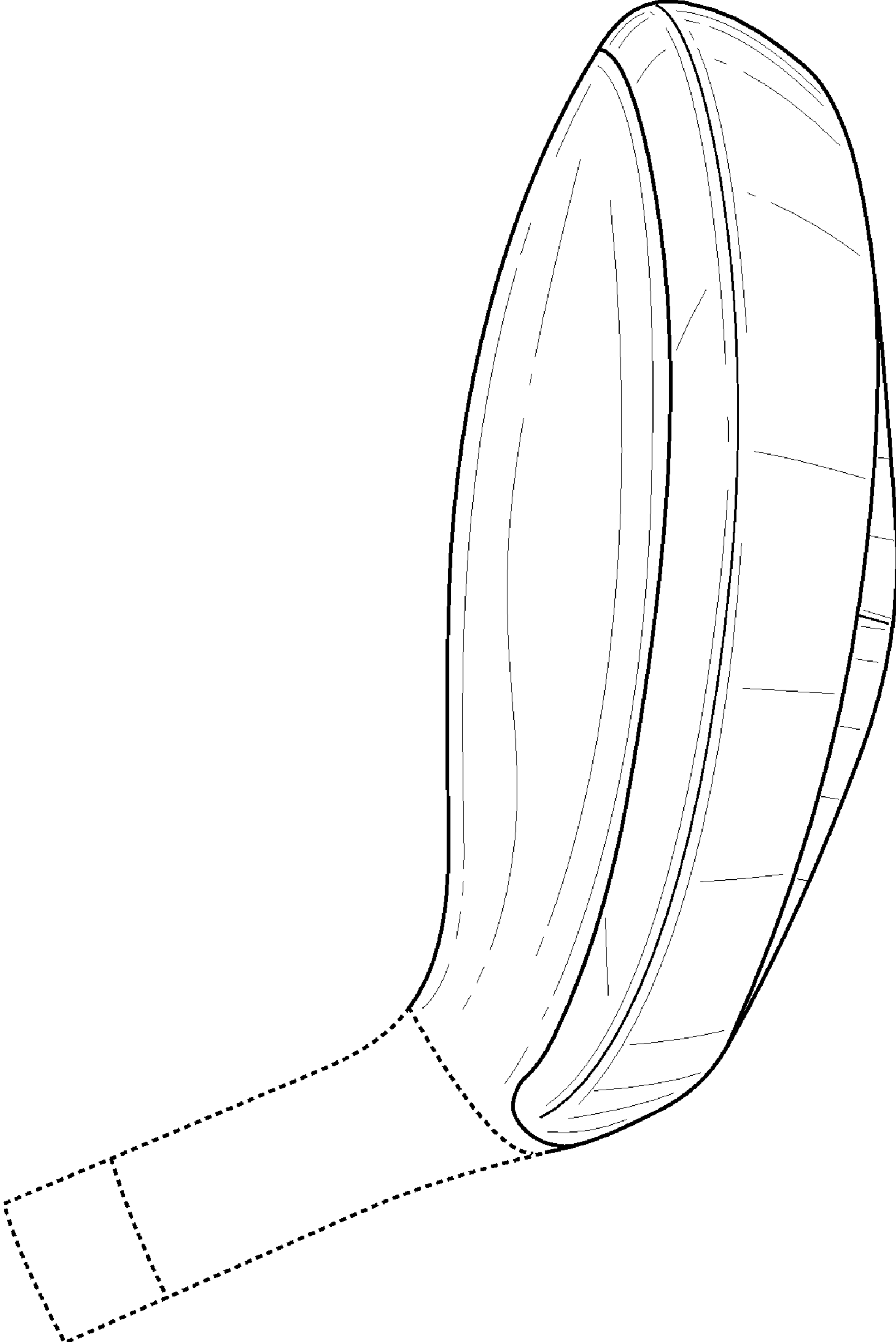


FIG. 4

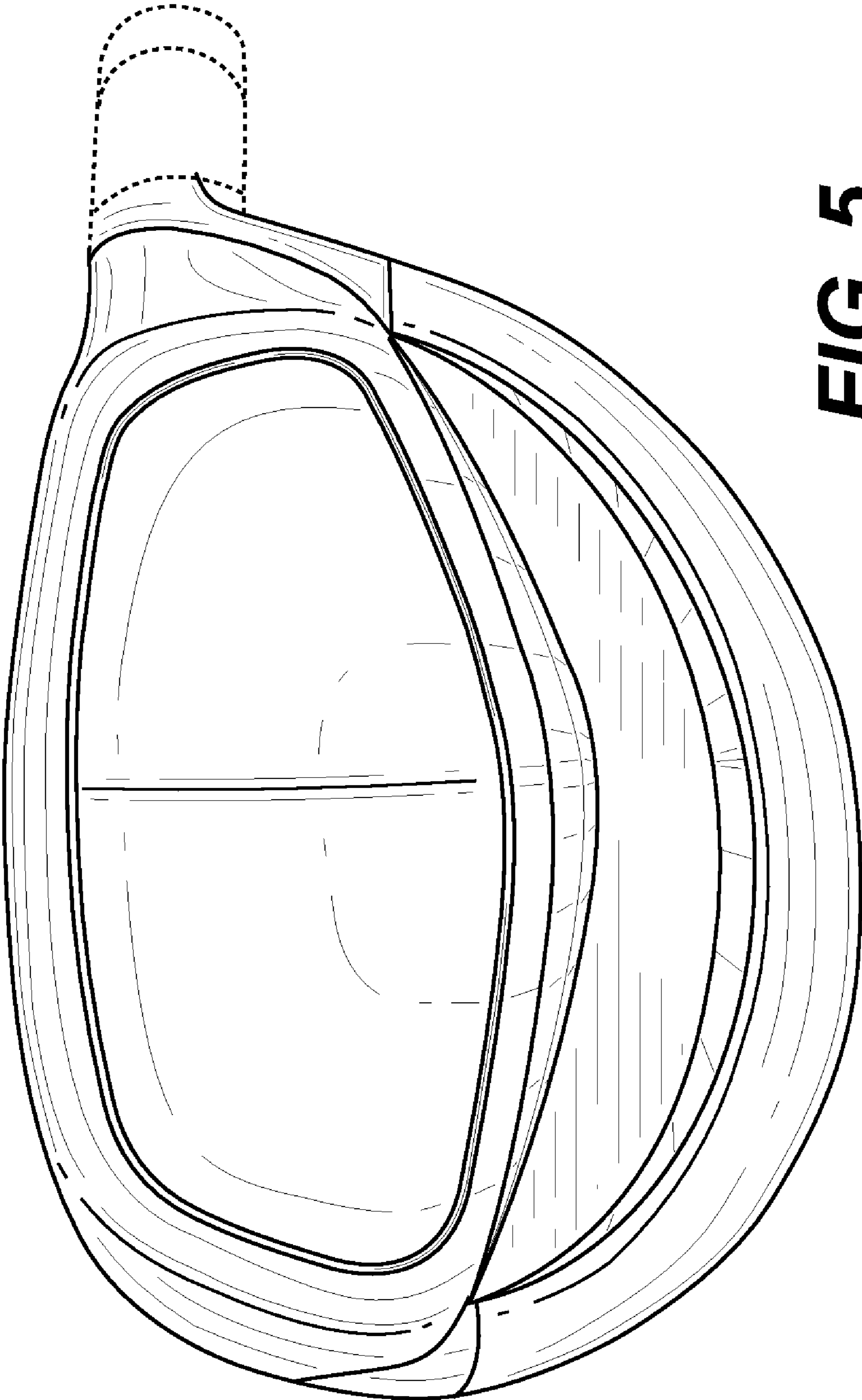


FIG. 5